

# Redundant Frames Without Elimination



Brent Nelson  
Collins Aerospace

# Purpose

Last meeting a use case was solicited for “Frame Replication without Elimination”

This presentation:

- Provides a/the use case for this feature
- Provides a Sample System
- Provides an alternative approach

Note: based on previous discussion, the End Station behavior may be outside the scope of IEEE802.1Q

Reference: IEEE P802.1DP Features by Abdul Jabbar

<https://www.ieee802.org/1/files/public/docs2021/dp-jabbar-profile-features-0921-v01.pdf>

## ARINC 664 P7 - Section 3.2.6.1

### Use of sequence numbers for deduplication

- One-Byte sequence number suffix **per stream**
  - 0 RESET
  - 1-255 sequences
- End-Devices either use
  - “first-valid wins” and forward one packet to application (check for seq no {+0 +1 +2} )
  - or forwards both packets to application

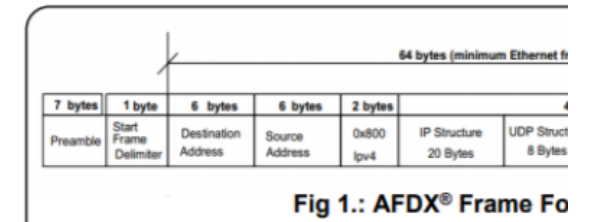
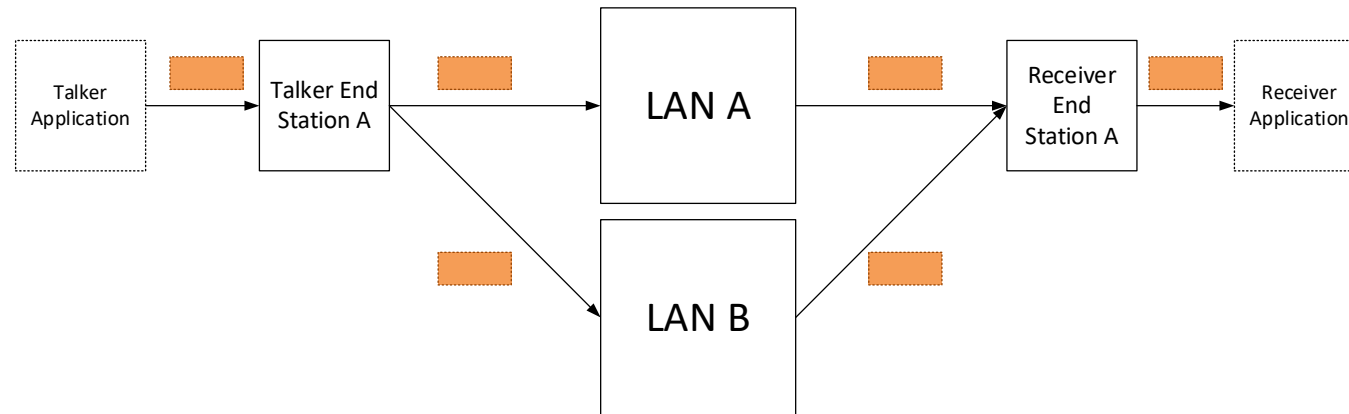


Fig 1.: AFDX® Frame Fo

Does aerospace industry need this option?

# Typical ARINC 664p7 Redundancy (Refresher)

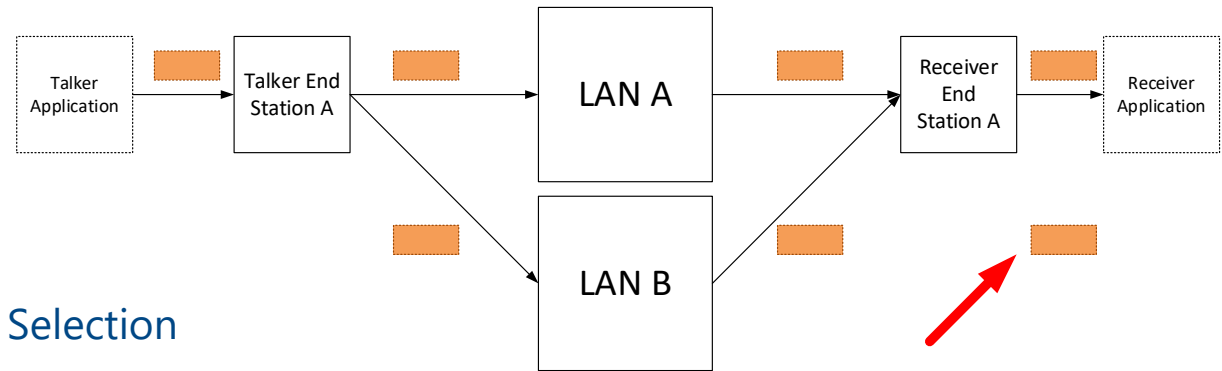
- ARINC 664 Part 7 has redundant LANs comprised of one or more switches
- ARINC 664 Part 7 end stations (typically) duplicate frames on transmission and eliminate redundant frames on reception
- Hosted Applications typically see a single frame on reception and transmission. Redundancy is transparent to the applications
- This is probably >95% of a typical ARINC 664 Part 7 network



Except...

# Use Case: Frame Replication without Elimination

- Sometimes, it is necessary to shut off the elimination of redundant frames
  - Still have talker end station make redundant frames.
  - Disable elimination in Receiver End Station
  - Pass up multiple frames to Receiver Application
    - In ARINC 664p7, they are sent up on separate “Communication Ports” or sockets so the application can differentiate

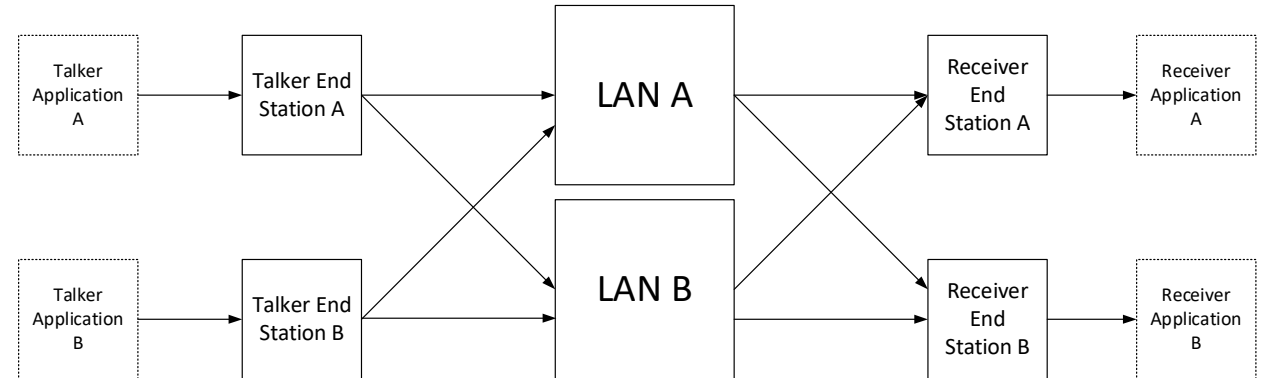


- Receiver Application is responsible for Source Selection
  - Could be based on integrity checks of payload or other mechanisms
- Generally, this would be driven by the safety process/analysis
  - “No Single Fault” concerns with LAN and/or
  - Probability of failures. LAN redundancy is typically there for availability, not integrity

# Use Case: Frame Replication without Elimination – Sample System

The following diagram depicts a common system layout:

- Redundant Sources of Data (e.g. Aircraft Sensors)
- Redundant Destinations of Data (e.g. Displays)



Redundancy of sources and destinations can help availability and integrity

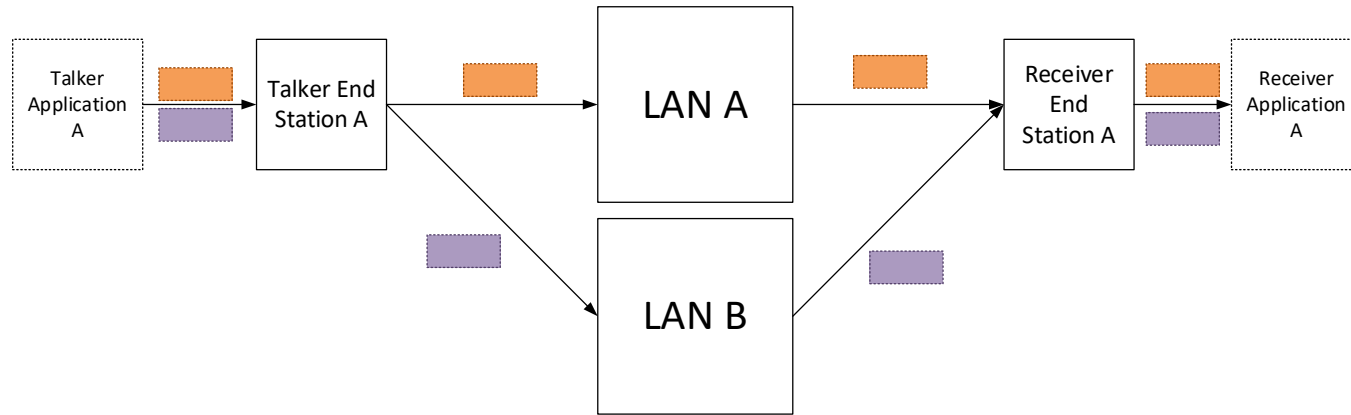
- Backup copy in case of “loss” failure mode
- Voter to detect “integrity” failure modes

Redundant LAN with full FRER can expose system to single point “integrity” failure modes within LAN

- Disabling “Replication Elimination” can allow receiver application to vote (or other approaches) to address “integrity” concerns

# Alternative Approach

- Start Redundant copy at source application
- Use Separate TSN Streams for separate LANs



## Potential Downsides

- Talker Application needs to do two “sends”

# Conclusion

- Use case for “Redundant Frames Without Elimination” provided
- This scenario occurs in Avionics systems today
  - Driven by safety requirements
- Alternative implementations can also mitigate the safety concern
  - TSN provides other tools that can help in this scenario

# Thank You!

