

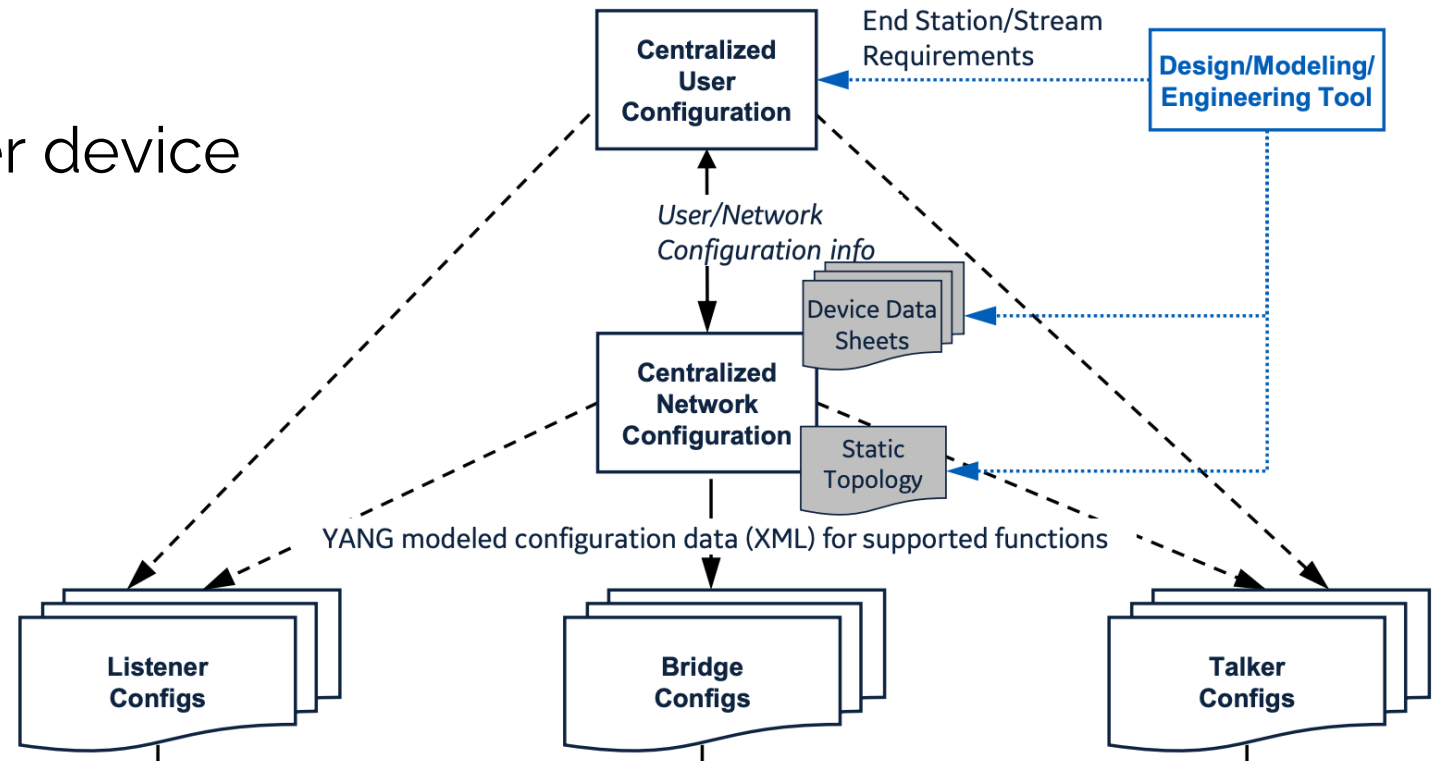
# Single-file configuration

Marina Gutiérrez, [marina.gutierrez@realtimeatwork.com](mailto:marina.gutierrez@realtimeatwork.com)

Lionel Havet, [lionel.havet@realtimeatwork.com](mailto:lionel.havet@realtimeatwork.com)

# Configuration files

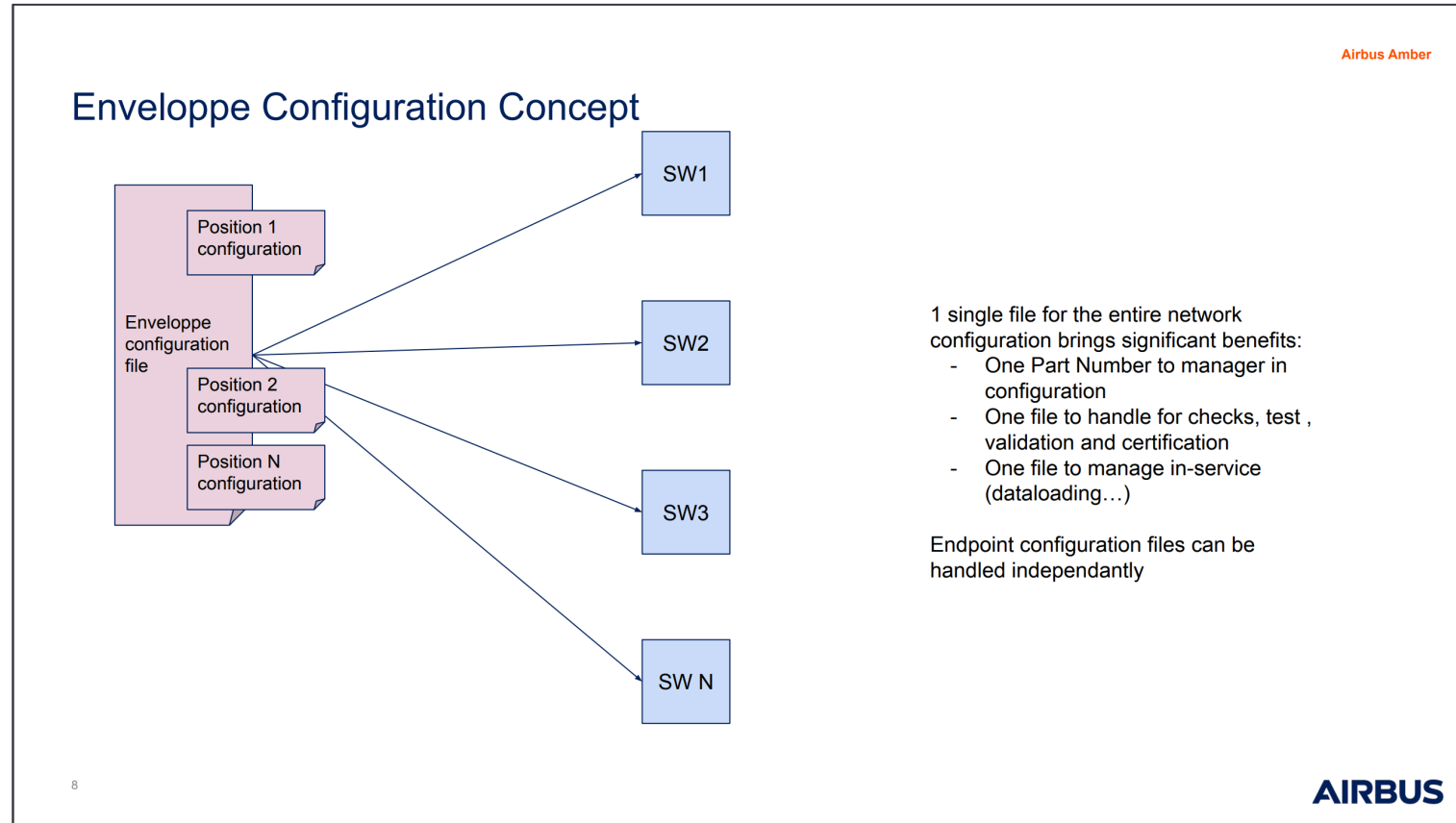
At least one configuration file per device



Taken from:

<https://www.ieee802.org/1/files/public/docs2022/dp-jabbar-configuration-open-topics-0522-v01.pdf>

# Why a single file?



Taken from:

<https://www.ieee802.org/1/files/public/docs2022/dp-kretzschmar-considerations-for-configuration-0422-v01.pdf>

# Context

## RTaW:

- develops model-based network simulation and configuration tools.
- addresses the aerospace and automotive domains.

## YANG exporter:

- developed in collaboration with the EDEN project.
- EDEN is a project of IRT Saint Exupery:

<https://www.irt-saintexupery.com/wp-content/uploads/2021/07/EDEN-Project.pdf>



# YANG models (1/2)

Mechanism	YANG model	comment
Explicit/Static forwarding	ieee802-dot1q-bridge.yang	contains bridge and bridge-port
Scheduled Traffic	ieee802-dot1q-sched.yang ieee802-dot1q-sched-bridge.yang	augments bridge-port
Per-Stream Filtering and Policing	ieee802-dot1q-stream-filters.yang ieee802-dot1q-stream-filters-bridge.yang ieee802-dot1q-psfp.yang ieee802-dot1q-psfp-bridge.yang	augments bridge component
Credit Based Shaper	<i>(created from MIB export by RTaW and EDEN)</i>	no IEEE model available expected to augment bridge-port

Complete list taken from:

<https://www.ieee802.org/1/files/public/docs2022/dp-jabbar-configuration-open-topics-0522-v01.pdf>

# Single-file Configuration: How? (1/3)

Bridge model:

- contains a list of bridges
- augments IETF interfaces to define bridge-port

```
1 module: ieee802-dot1q-bridge
2   +--rw bridges
3     +--rw bridge* [name] ...
165
166   augment /if:interfaces/if:interface:
167     +--rw bridge-port ...
266
```

IETF interfaces:

- contains a list of interfaces

```
1 module: ietf-interfaces
2   +--rw interfaces
3     | +--rw interface* [name]
```

# Single-file Configuration: How? (2/3)

"bridge" XML:

```
1 <?xml version="1.0" encoding="UTF-8"?>
2 <bridges xmlns="urn:ieee:std:802.1Q:yang:ieee802-dot1q-bridge">
3   <bridge>
4     <name>SWITCH_1</name>
5     <bridge-type>customer-vlan-bridge</bridge-type>
6     <component>
7       <name>SWITCH_1</name>
8       <type>c-vlan-component</type>
9       <filtering-database> ☐
59     </filtering-database>
60     <bridge-vlan> ☐
69     </bridge-vlan>
70   </component>
71 </bridge>
72 <bridge> ☐
140 </bridge>
141 <bridge> ☐
209 </bridge>
210 <bridge> ☐
278 </bridge>
```

ONE BRIDGE

# Single-file Configuration: How? (2/3)

"bridge" XML:

```
1 <?xml version="1.0" encoding="UTF-8"?>
2 <bridges xmlns="urn:ieee:std:802.1Q:yang:ieee802-dot1q-bridge">
3   <bridge>
4     <name>SWITCH_1</name>
5     <bridge-type>customer-vlan-bridge</bridge-type>
6     <component>
7       <name>SWITCH_1</name>
8       <type>c-vlan-component</type>
9       <filtering-database>
59     </filtering-database>
60     <bridge-vlan>
69     </bridge-vlan>
70   </component>
71 </bridge>
72 <bridge>
140 </bridge>
141 <bridge>
209 </bridge>
210 <bridge>
278 </bridge>
```

OTHER BRIDGES



# Single-file Configuration: How? (3/3)

“interfaces” XML:

```
1 <?xml version="1.0" encoding="UTF-8"?>
2 <interfaces xmlns="urn:ietf:params:xml:ns:yang:ietf-interfaces" xmlns:ianaift="
  urn:ietf:params:xml:ns:yang:iana-if-type">
3   <interface>
4     <name>EthernetPort_1</name>
5     <enabled>true</enabled>
6     <type>ianaift:ethernetCsmacd</type>
7     <bridge-port xmlns="urn:ieee:std:802.1Q:yang:ieee802-dot1q-bridge">
8       <gate-parameter-table xmlns="urn:ieee:std:802.1Q:yang:ieee802-dot1q-sched">
193     </gate-parameter-table>
194     <frame-preemption-parameters xmlns="urn:ieee:std:802.1Q:yang:ieee802-dot1q-preemption">
227     </frame-preemption-parameters>
228   </bridge-port>
229 </interface>
230 <interface>
1452 </interface>
1453 <interface>
1751 </interface>
1752 <interface>
2242 </interface>
```

ONE BRIDGE-PORT

# Single-file Configuration: How? (3/3)

“interfaces” XML:

```
1 <?xml version="1.0" encoding="UTF-8"?>
2 <interfaces xmlns="urn:ietf:params:xml:ns:yang:ietf-interfaces" xmlns:ianaift="
  urn:ietf:params:xml:ns:yang:iana-if-type">
3   <interface>
4     <name>EthernetPort_1</name>
5     <enabled>true</enabled>
6     <type>ianaift:ethernetCsmacd</type>
7     <bridge-port xmlns="urn:ieee:std:802.1Q:yang:ieee802-dot1q-bridge">
8       <gate-parameter-table xmlns="urn:ieee:std:802.1Q:yang:ieee802-dot1q-sched">
193     </gate-parameter-table>
194     <frame-preemption-parameters xmlns="urn:ieee:std:802.1Q:yang:ieee802-dot1q-preemption">
227     </frame-preemption-parameters>
228   </bridge-port>
229 </interface>
230 <interface>
1452 </interface>
1453 <interface>
1751 </interface>
1752 <interface>
2242 </interface>
```

OTHER BRIDGE-PORTS

# Remarks

- 2 configuration files (bridge and interfaces)
- also in a per-device configuration

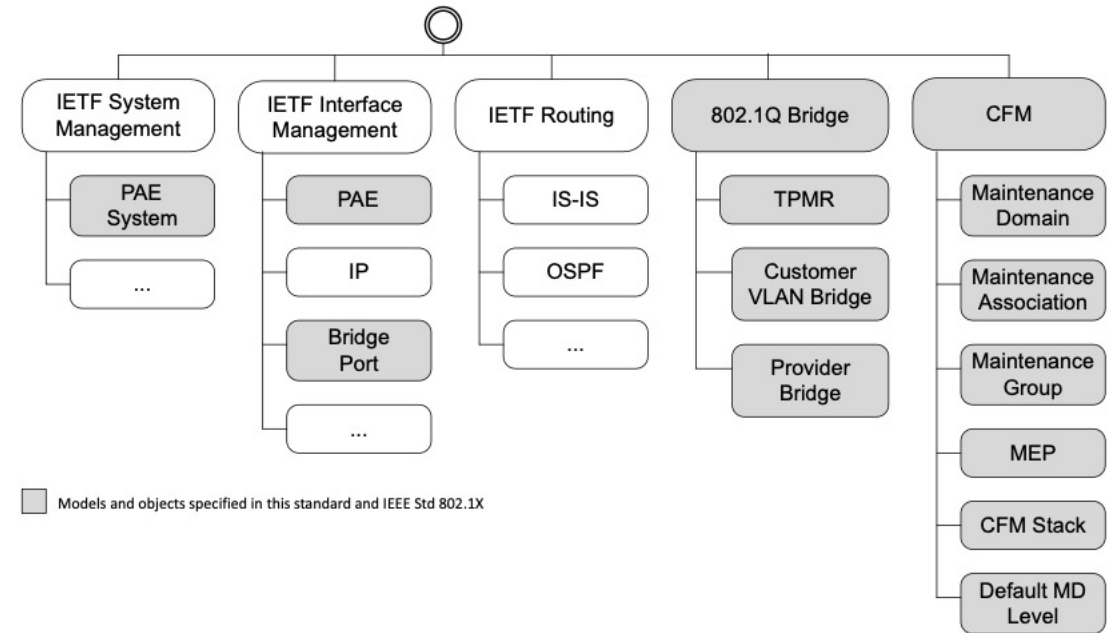


Figure 48-2—YANG root hierarchy with IEEE 802.1Q YANG modules

Figure taken from:

<https://www.ieee802.org/1/files/private/q-rev-drafts/d1/802-1Q-rev-d1-2.pdf>

# Remarks

- 2 configuration files (bridge and interfaces)
  - also in a per-device configuration
- each bridge in the network should have a unique name
- each interface in the network should have a unique name
- the position of elements (interfaces or bridges) in their respective XML file is not defined / standardized / depends on the user or tool
- Is this a proper use of YANG models?

# YANG models (2/2)

Mechanism	YANG model	comment
Static topology description	ietf-network.yang	not a network configuration element
AS	ieee802-dot1as-ptp.yang	
Stream Identification	ieee802-dot1cb-stream-indentification.yang	
Frame Replication and Elimination for Reliability	ieee802-dot1cb-frer.yang	

Complete list taken from:

<https://www.ieee802.org/1/files/public/docs2022/dp-jabbar-configuration-open-topics-0522-v01.pdf>

# Non-Q YANG models

Same strategy as with the TSN models in Q:

- ieee-802-dot1q-<mechanism>.yang → base model
- ieee-802-dot1q-<mechanism>-bridge.yang → "anchor" to the bridge model

# Conclusions

- A single-file configuration cannot be achieved with the current structure of the YANG models.
- Two-file configuration (bridge and interfaces) can be achieved for 802.1Q YANG models.
- Non-Q YANG models will generate additional configuration files
  - possible solution: “anchor” them to bridge model?