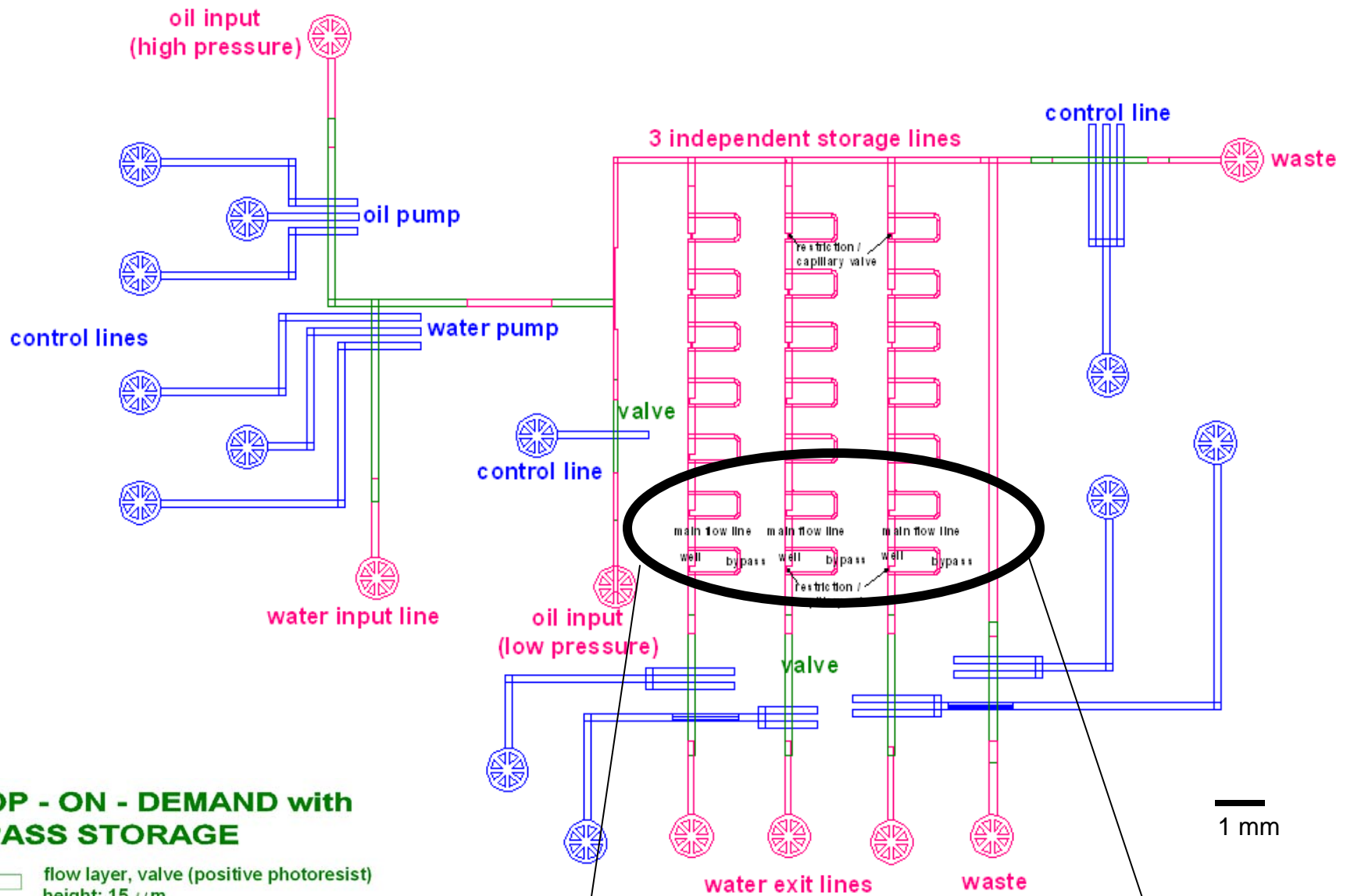


## I.) JAMIN EFFECT

- flow layer, valve (positive photoresist)  
height: 15  $\mu\text{m}$
- flow layer (negative photoresist)  
height: 110  $\mu\text{m}$
- control layer (negative photoresist)  
height: 20  $\mu\text{m}$

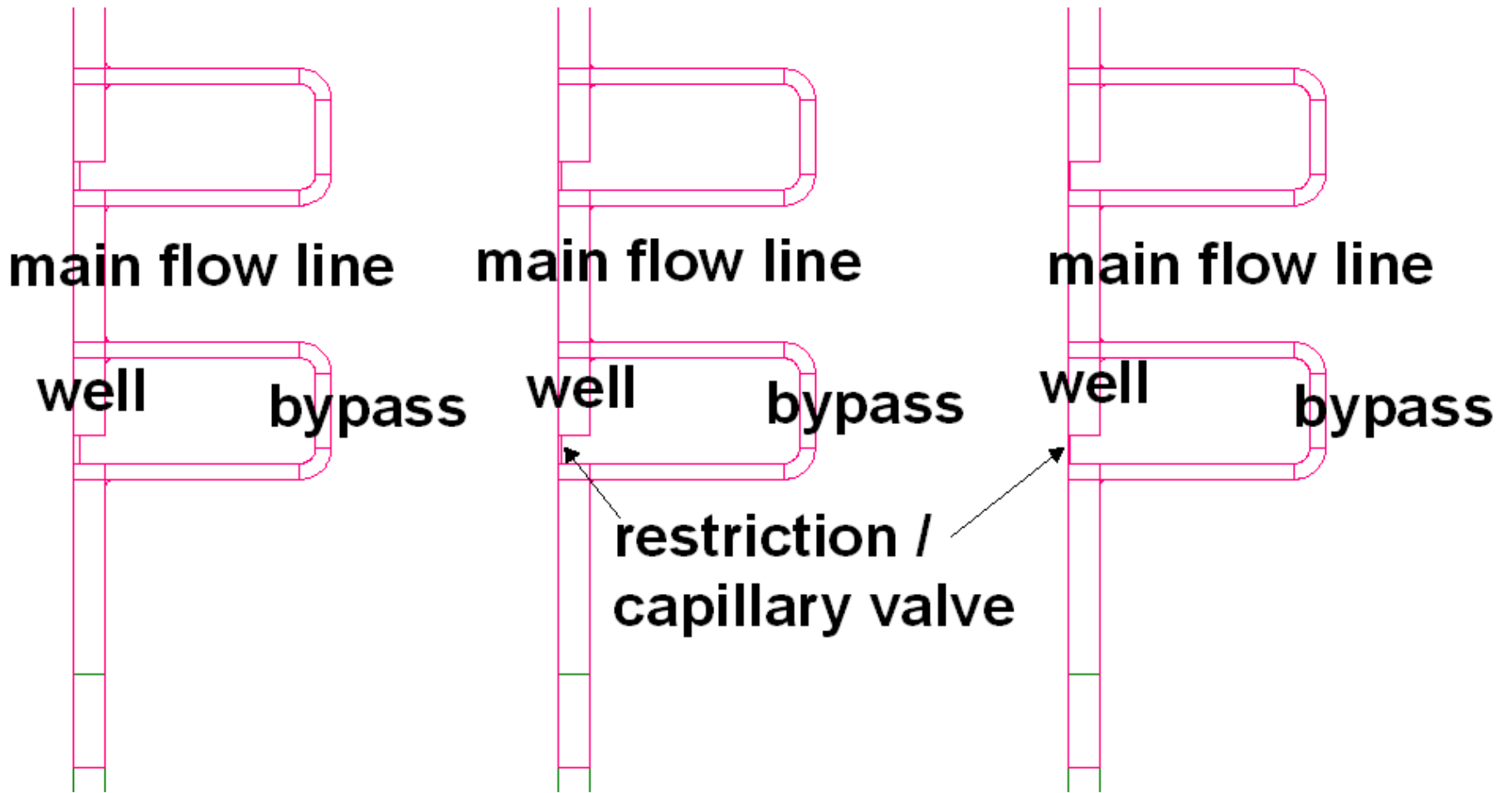


## II.) DROP - ON - DEMAND with BYPASS STORAGE

- flow layer, valve (positive photoresist)  
height:  $15 \mu\text{m}$
- flow layer (negative photoresist)  
height:  $110 \mu\text{m}$
- control layer (negative photoresist)  
height:  $20 \mu\text{m}$

Hakim Boukellal / Fraden - lab  
Brandeis University 2007

(see next page for enlarged section)



200  $\mu\text{m}$

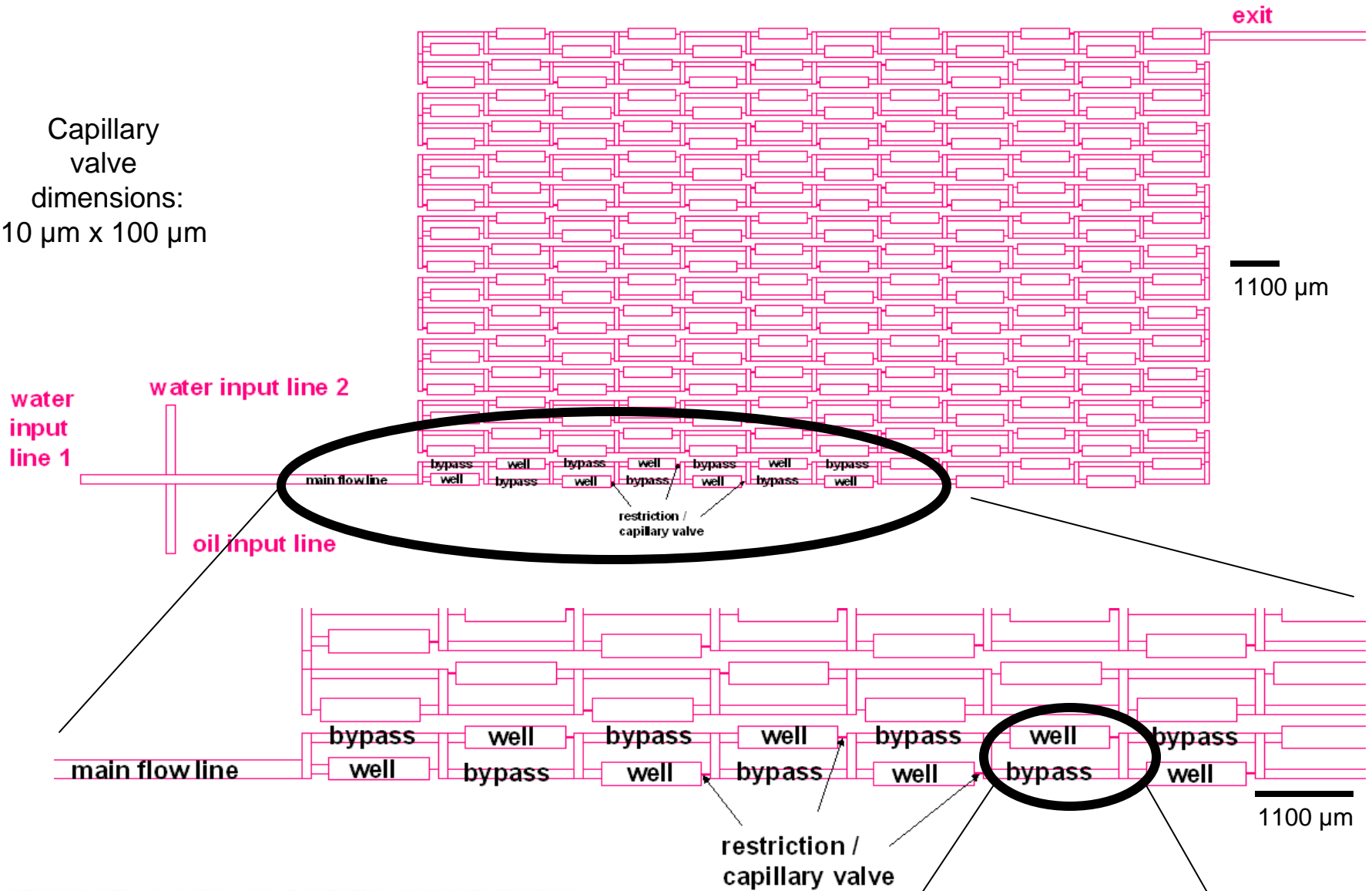
## II.) DROP - ON - DEMAND with BYPASS STORAGE

-  flow layer, valve (positive photoresist)  
height: 15  $\mu\text{m}$
-  flow layer (negative photoresist)  
height: 110  $\mu\text{m}$
-  control layer (negative photoresist)  
height: 20  $\mu\text{m}$

Capillary valve dimensions:  
30  $\mu\text{m}$  x 130  $\mu\text{m}$



Capillary valve dimensions: 10  $\mu\text{m}$  x 100  $\mu\text{m}$



### III.) SYMMETRIC BYPASS STORAGE

 flow layer (negative photoresist)  
height: 100  $\mu\text{m}$

Šeila Selimović / Fraden group  
Brandeis University 2007

