

THE INFORMATION CONTAINED IN THIS DRAWING IS THE SOLE PROPERTY OF TETRACAM INC. ANY REPRODUCTION IN PART OR WHOLE WITHOUT THE WRITTEN PERMISSION OF TETRACAM INC. IS PROHIBITED.

REVISIONS			
REV.	DESCRIPTION	DATE	APPROVED

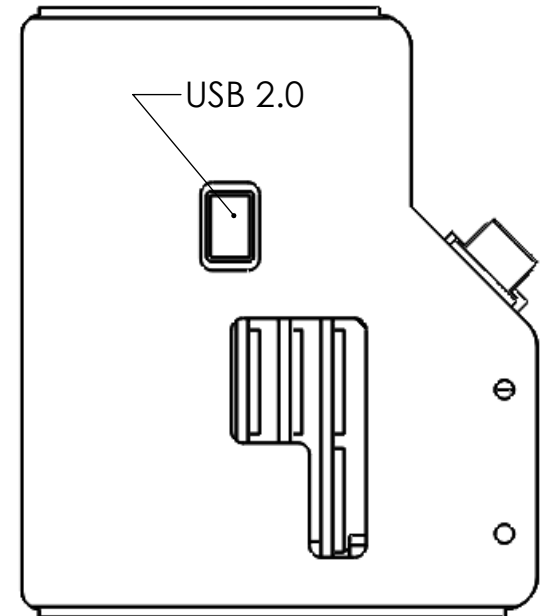
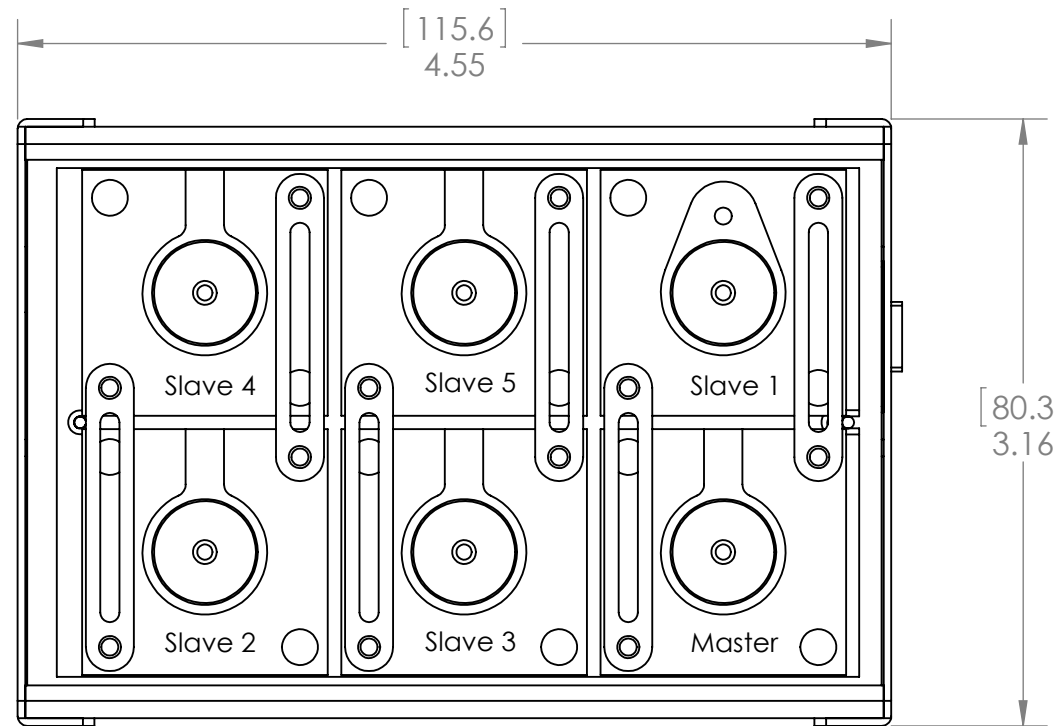
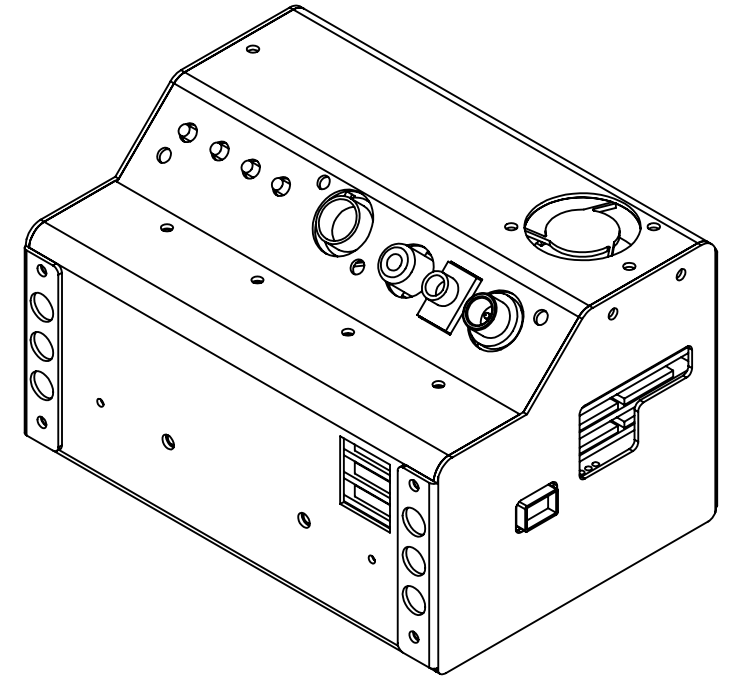
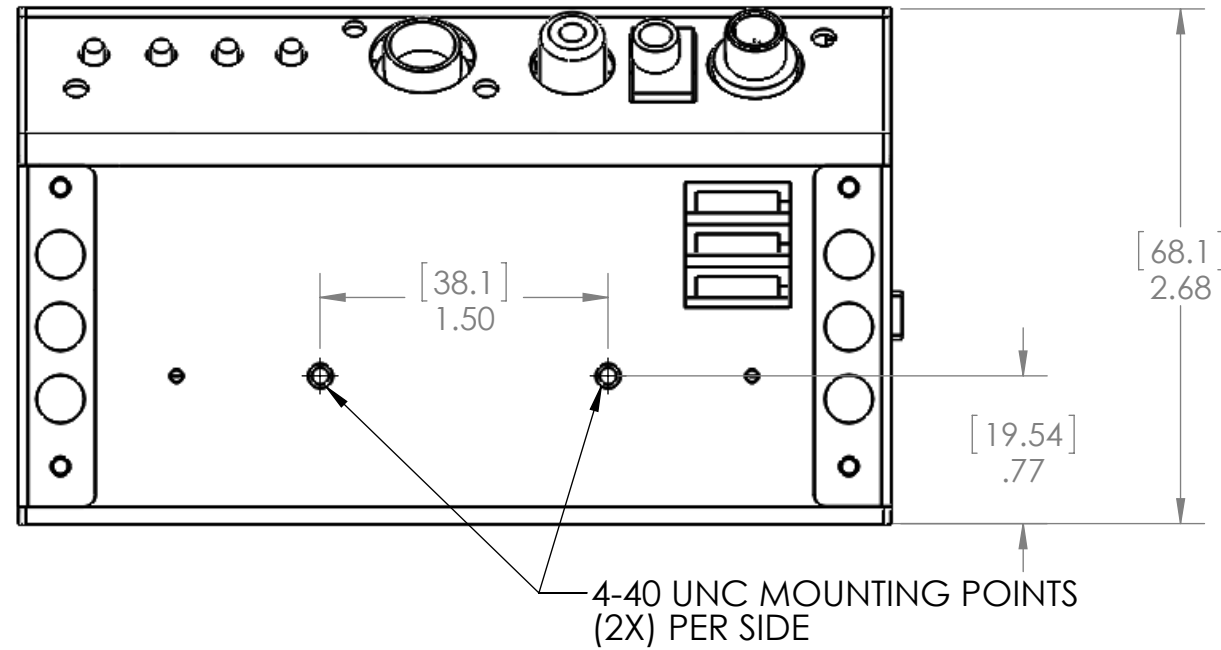
CAMERA SERIAL NUMBER: \_\_\_\_\_

Channel	Filter	Exp. Adj.
Master (0)	_____	_____
Slave 1	_____	_____
Slave 2	_____	_____
Slave 3	_____	_____
Slave 4	_____	_____
Slave 5	_____	_____

Master Camera Principle Point X \_\_\_\_\_ Y \_\_\_\_\_

COMPLETION DATE: \_\_\_\_\_

FIRMWARE REVISION: \_\_\_\_\_



② FINISH:

① MAT'L:

NOTES: UNLESS SPECIFIED OTHERWISE

ITEM NO.	PART OR IDENTIFYING NO.	NOMENCLATURE OR DESCRIPTION	MATERIAL SPECIFICATION	QTY REQD
PARTS LIST				
UNLESS OTHERWISE SPECIFIED DIMENSIONS ARE IN INCHES TOLERANCES ARE:		CAD GENERATED DRAWING, DO NOT MANUALLY UPDATE		
DECIMALS                      ANGLES		APPROVALS                      DATE		
+.XX                              +.XX    ± 1.0		DRAWN                              S. HEINOLD 3/11/15		
+.XXX                            +.XXX   ± 0.1		CHECKED		
MATERIAL                      ①		RESP ENG		
FINISH                            ②		MFG ENG		
APPLICATION                    DO NOT SCALE DRAWING		QUAL ENG		
		<b>TETRACAM INC</b>		
		21601 DEVONSHIRE ST. SUITE 310 CHATSWORTH CA. 91311 S. HEINOLD 3/11/15 818 667-1731 FAX 818 718-7103		
		MICRO MCA 6 CHANNEL ENVELOPE		
SIZE B	DWG. NO. MIC - 061	E1		
SCALE 2/3	CAD FILE: MIC - 061	SHEET 1 OF 1		