

RC MODEL CARS  
**YOKOMO**  
[www.teamyokomo.com](http://www.teamyokomo.com)



**BD**

**2016 BLACK SERIES**

**1/10 SCALE EP TOURING CAR CHASSIS KIT**

この度はヨコモ製R/Cカーキットをお買い求め頂き、誠に有り難うございます。このキットは、ワールドチャンピオン メーカーであるヨコモの高性能・競技用R/Cカーです。本説明書に従った正しい組立・安全な走行をして頂ければ、誰でも手軽に楽しむことができます。

Thank you for purchasing this Yokomo product. This high performance competition kit has been proudly manufactured by Yokomo - World Champion R/C car manufacturer. Proper assembly of this product will provide fun, safe enjoyment.

## R/C カーを安全に楽しんで頂くための 注意事項

お子様(中学生以下)が 組立・走行する際は、必ず保護者の方が付き添い 安全を確認して下さい。

### 組立の注意

- 幼児のいる場所では組み立てないで下さい。小さな部品を飲み込む等、非常に危険です。
- 組立の前に必ず内容をお確かめ下さい。万一不良部品、不足部品などがあった場合は、ヨコモ アフターサービス部までお問い合わせ下さい。
- 組立の前に説明書を最後まで読み、全体の流れをつかむと効率的な組立が出来ます。
- 組み立てる際は、様々な工具が必要になります。安全の為に必ず作業内容に合った工具を使用して下さい。又、カッターナイフ等を使用する際は危険を伴いますので、注意して下さい。
- 部品には様々な素材を使用しています。切削加工された金属パーツ等はエッジが鋭く、慎重な組立が必要となります。ケガをしないように注意して下さい。
- プラスチックパーツなどを切断する際は、切断した部品が飛び危険があるので注意して下さい。
- 回転部や駆動部は出来るだけスムーズに動作するように組み立てて下さい。
- 配線やコード類はきれいにまとめて下さい。回転部分や走行路面にコードが接触すると危険です。又、配線は確実に接続されていないとショートなどの恐れや、性能を十分に発揮出来ない場合があります。
- 必要以上の分解、改造をすると、安全性が低下したり走行性能が十分に発揮出来なくなる場合があります。
- 塗装は、周囲に火気の無いことを確認し、換気の良い場所で行って下さい。

### 走行の注意

- ヨコモ製R/Cカーは競技用の為、時速40kmを越える速いスピードが出るモデルもあります。ルールを守って安全な場所や、R/Cカー用サーキットで走らせて下さい。
- 公道等、周囲の人の迷惑になるような場所では絶対に走らせないで下さい。
- R/Cカーは電波を利用する為、何らかのトラブルで最悪の場合は暴走する事があります。狭い場所や室内は避け、出来るだけ広い、障害物のない場所で走らせて下さい。
- 周囲にR/Cカーを走らせている人がいる場合は、電波が重ならないように、周波数を確認し合せて、安全を確かめて下さい。
- R/Cカーは水を嫌います。雨の日や、水たまりのある場所で走らせると、R/Cメカが壊れたり、暴走する危険があります。
- R/Cカーの駆動部分、ギヤやベルト、タイヤなどは高回転で回ります。バッテリーを接続した後は危険ですので、回転部分に手を触れないで下さい。
- 走行後のR/Cカーは各部が高温になる事があります。危険ですので冷却期間をおいてから、メンテナンスなどをして下さい。

### 走らせる手順

- ①タイヤが空転するように、台の上にR/Cカーを置きます。
- ②スピードコントローラのスイッチがOFFになっている事を確認してから、モーターとバッテリーを接続します。
- ③送信機のアンテナを伸ばし、スイッチをONにします。(送信機の電圧が下がっていると危険です。常に電圧の高い状態で使用して下さい。)
- ④受信機のスイッチをONにします。

### 走行終了手順

- ①スピードコントローラのスイッチをOFFにします。
- ②バッテリーの接続を外します。
- ③送信機のスイッチをOFFにし、アンテナを縮めます。

### バッテリーの取り扱い

(バッテリーに付属の説明書に基づき使用して下さい。)

- バッテリーを充電する際は、周囲に燃やしやすい物のない安全な場所で行って下さい。又、高温な場所での充電も避けて下さい。
- バッテリーの充電中は充電状況を常に確認して下さい。充電器の誤動作などで過充電すると、最悪の場合は発火する危険性があります。バッテリー温度が50度を越えたら充電を中止して下さい。
- 走行後のバッテリーは高い温度になります。連続使用するとバッテリーを傷める事になりますので、冷却期間を置いてから充電して下さい。又、走行後のバッテリーはコンディション放電する事によって、性能を持続させる事が出来ます。
- 不要になったバッテリーは一般のゴミと一緒に捨てず、お手数でも電池専用の回収箱に捨てて下さい。

### モーターの取り扱い

(モーターに付属の説明書に基づき使用して下さい。)

- 7.2Vのバッテリーでモーターのから回しをすると危険です。モーター内部を破損し部品が飛び出す事も考えられますので、もしモーターのブレークインをする時は、モーターをしっかり固定し3~5V程度でから回して下さい。
- モーターは定期的なメンテナンスが必要です。劣化するとスピードが出なくなったり、走行時間が短くなります。定期的にクリーニングしたり、ブラシが減ってきたら交換する等のメンテナンスをして下さい。
- モーターの性能に合ったギヤ比を選択して下さい。ギヤ比が最適でないとモーターの性能を十分に発揮出来ないだけでなく、他のR/Cメカを壊す原因にもなります。
- 走行後のモーターは非常に高い温度になります。連続走行するとモーターを傷める事になりますので、冷却期間を置いてから走行して下さい。

## PRECAUTIONS FOR SAFE ENJOYMENT OF YOUR R/C CAR

For children under the age of 13, parental guidance is recommended when running.

### ASSEMBLY PRECAUTIONS

- Do not assemble around small children. The parts can be dangerous if accidentally swallowed.
- Check the contents carefully before assembly. Please contact Customer Support if you happen to notice any defective or missing items.
- You will find the assembly process much easier by carefully reading through the manual, and familiarizing yourself with the instructions.
- Many different tools are required during assembly. For safety purposes, please use suitable tools. Exercise extra caution when using a sharp tool such as a hobby knife.
- Many different materials are used for the parts. Use extra care when handling parts with sharp edges, such as machined metal parts.
- When cutting plastic parts, watch for any flying parts.
- Try to assemble any rotating parts or drivetrain parts as smooth as possible.
- Bundle wires neatly away from the ground or any moving drivetrain components. Make sure that all wires are properly connected to prevent shorting.
- Unnecessary modifications may be unsafe and hinder performance.
- Always paint in a well ventilated area away from flames.

### PRECAUTIONS BEFORE RUNNING

- Yokomo R/C cars are built for competition use, and some models may exceed speeds of 40km per hour. Practice common sense and run the car in open safe places, or R/C car tracks.
- Do not run the car on public roads with high amounts of traffic, or in areas that may cause an inconvenience to people in that area.
- R/C cars are controlled using a radio frequency. In a worst-case scenario, radio interferences may cause loss of control.
- If others near you are running R/C cars, confirm that they are not running on the same frequency.
- R/C cars do not like water. Avoid running on rainy days, or areas with water puddles. Exposure of the electronics to water may cause loss of control or damage to the electronics.
- The drivetrain of an R/C car consists of many moving parts like gears, belts, shafts, and tires. Avoid touching these areas when the battery is connected.
- Many parts of an R/C car will become hot after running. Allow the parts to sufficiently cool before conducting any maintenance.

### BEGINNING A RUN

- ①Place the R/C car on a stand so the wheels are off the ground.
- ②Confirm that the speed controller switch is OFF, and connect the motor and battery.
- ③Extend the transmitter antenna and turn the switch ON. (It is unsafe to use a transmitter with low voltage. Make sure that the transmitter batteries are good before running)
- ④Turn the speed controller switch ON.

### FINISHING A RUN

- ①Turn the speed controller switch OFF.
- ②Disconnect the battery.
- ③Turn the transmitter switch OFF, and retract the antenna.

### BATTERY USAGE

(Carefully read the instruction included with the batteries.)

- When charging batteries, make sure that the surrounding area is void of anything highly flammable. Also avoid charging in high-temperature locations.
- When charging batteries, frequently monitor the charging it catch on fire. If the battery reaches 50 degrees Celcius or more, stop charging.
- Batteries will become hot after running. Continuous use of the battery pack may result in damage to the cells. Allow the battery too cool down before re-charging. Using a battery conditioner after running may prolong the life and performance of the battery.
- Please do not discard old battery packs in the trash. Although inconvenient, please locate a battery disposal center.

### MOTOR USAGE

(Carefully read the instruction included with the motor.)

- Connecting a 7.2V battery directly to the motor can be very dangerous. This may cause the internal parts of the motor to break apart, causing some parts to fly out of the motor. To break-in the motor, safely secure the motor and run the motor at about 3-5V.
- Motors require periodic maintenance. Slower speeds and decreased run times may indicate a worn-out motor. Periodically clean the motor and change the brushes when needed.
- Choose a gear ratio that matches the power characteristics of the motor. Using a gear ratio unsuited to the characteristics of the motor will not only prevent the motor from performing at its optimum, but may even cause damage to the other electronics.
- Motors will generally become very hot after running. Continuous running will reduce the life of the motor. Allow the motor to sufficiently cool between each run.

## 【組み立てに必要な物】

### ACCESSORIES AND TOOLS NEEDED FOR [MRTC BD7-2016] ASSEMBLY

#### ■ 走行の為に別にお買い求め頂く物 ■

##### ADDITIONAL ITEMS REQUIRED FOR USE (NOT INCLUDED IN KIT)

- 2チャンネルプロポ (1サーボ 1アンプ仕様)  
TWO CHANNEL R/C SURFACE RADIO SYSTEM  
AND ELECTRONIC SPEED CONTROL
- 走行用 角型Li-Poバッテリー  
SQUARE EDGE Li-Po BATTERY PACK
- 走行用バッテリー充電器  
BATTERY CHARGER
- 走行用モーター  
MOTOR
- タイヤ&ホイール  
TIRES & WHEEL
- 走行用ボディー  
BODY
- ボディー塗装用カラー  
BODY SPRAY PAINT
- バッテリー固定用ストラッピングテープ  
BATTERY STRAPPING TAPE
- 64ピッチ ピニオンギヤ  
64P PINION GEAR

#### ■ 別途用意する工具 ■

##### ASSEMBLING TOOLS REQUIRED (NOT INCLUDED IN KIT)



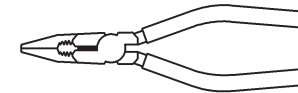
ドライバー (大,小)  
SCREW DRIVER (SMALL & LARGE)



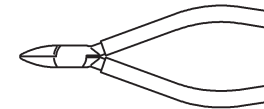
六角レンチ (1.5mm&2.0mm)  
ALLEN WRENCH (1.5mm & 2.0mm)



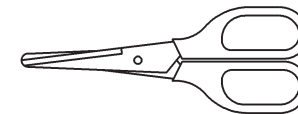
ナットドライバー (7.0mm)  
NUT WRENCH (7.0mm)



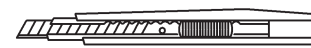
ラジオペンチ  
NEEDLE NOSE PLIERS



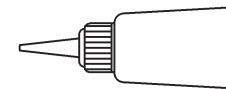
ニッパー  
SIDE CUTTER



ハサミ  
SCISSORS



カッター  
HOBBY KNIFE



瞬間接着剤  
CA (Cyanoacrylate) GLUE

#### ■ キットに入っている工具 ■

##### TOOLS (INCLUDED)



六角レンチ  
ALLEN WRENCH  
(3.0mm)


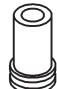






ターンバックルレンチ  
TURNBUCLE WRENCH


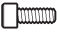
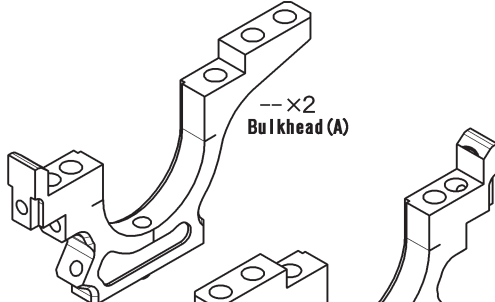


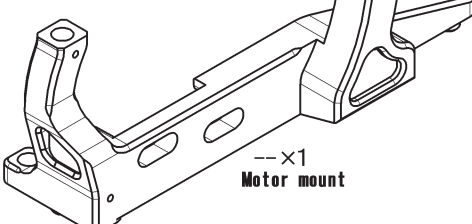
[MRTC BD7-2016]の性能を十分に発揮させる為にイラストを良く参照し説明の順番に従って確実に組み上げて下さい。

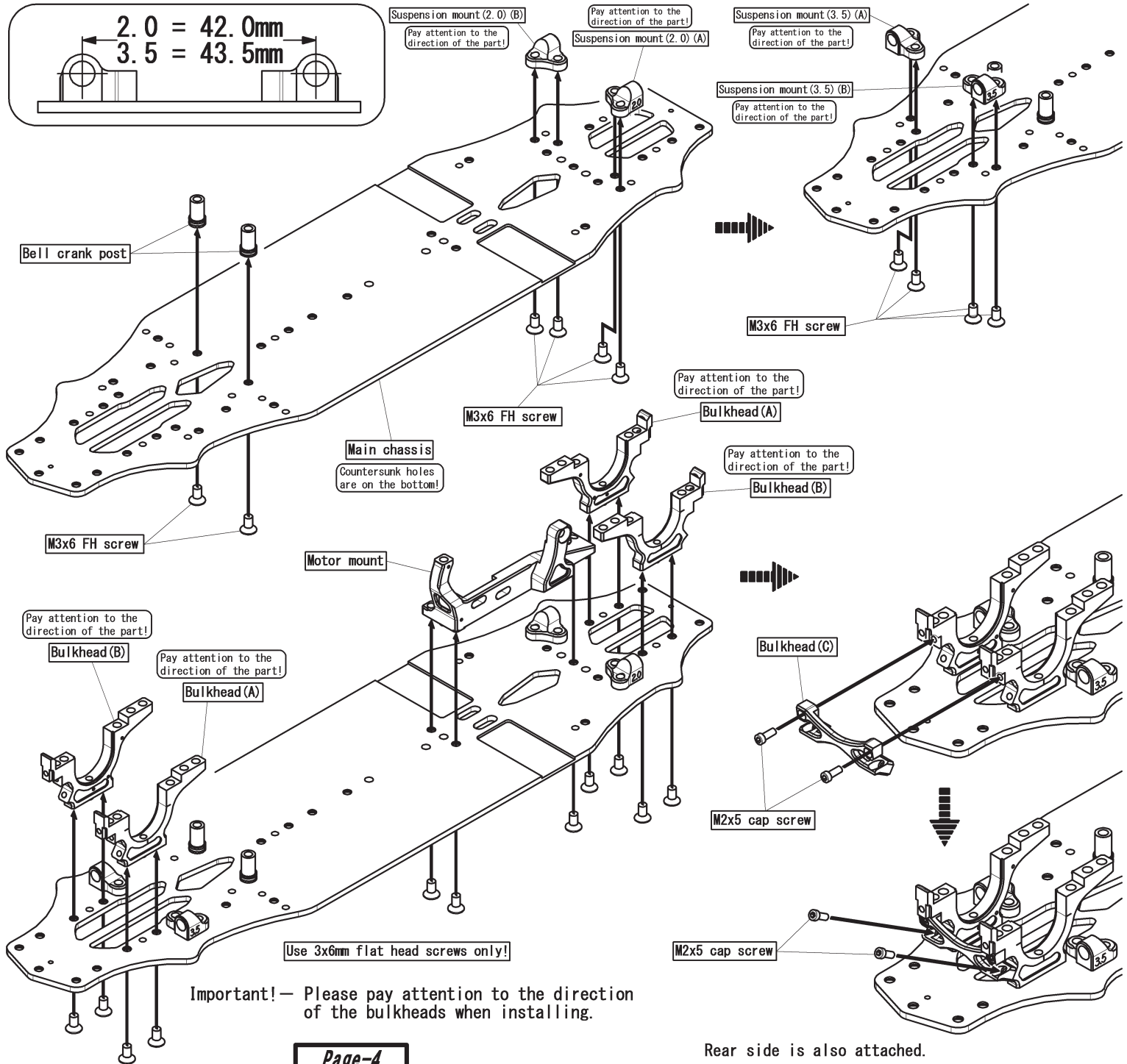
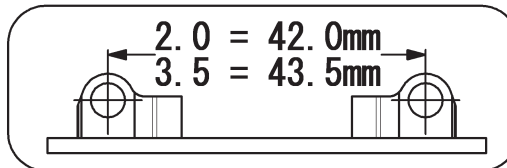
For assembly, follow the figures and the instructions closely so that your [MRTC BD7-2016] will perform at its best!!

**[ Bag-1 Contents ]**

-  --x10 3x6mm flat head screw
-  --x2 Bell crank post
-   Suspension mount (2.0)
-   Suspension mount (3.5)

**[ Bag-2 Contents ]**

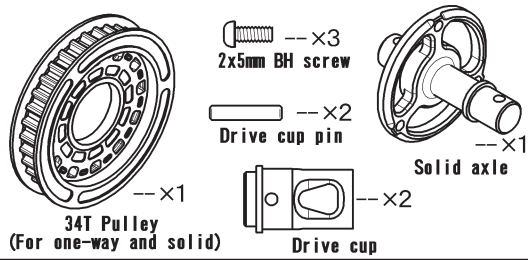
-  --x11 3x6mm flat head screw
-  --x8 2x5mm cap screw
-  --x2 Bulkhead (A)
-  --x2 Bulkhead (B)
-  --x2 Bulkhead (C)
-  --x1 Motor mount



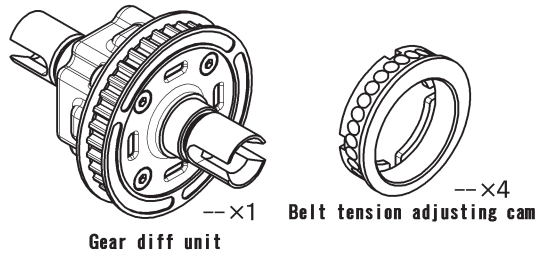
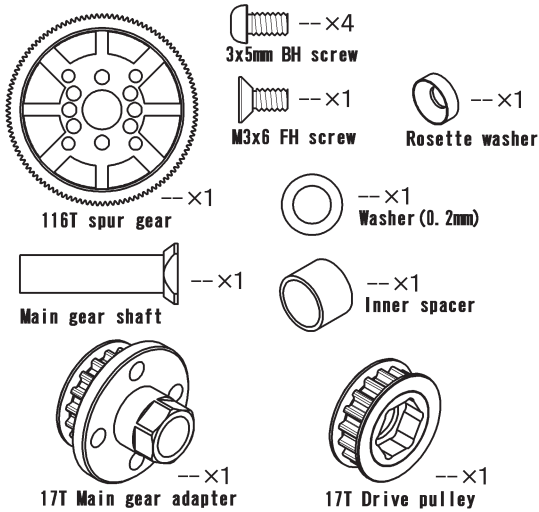
Rear side is also attached.

[ Bag-3 Contents ]

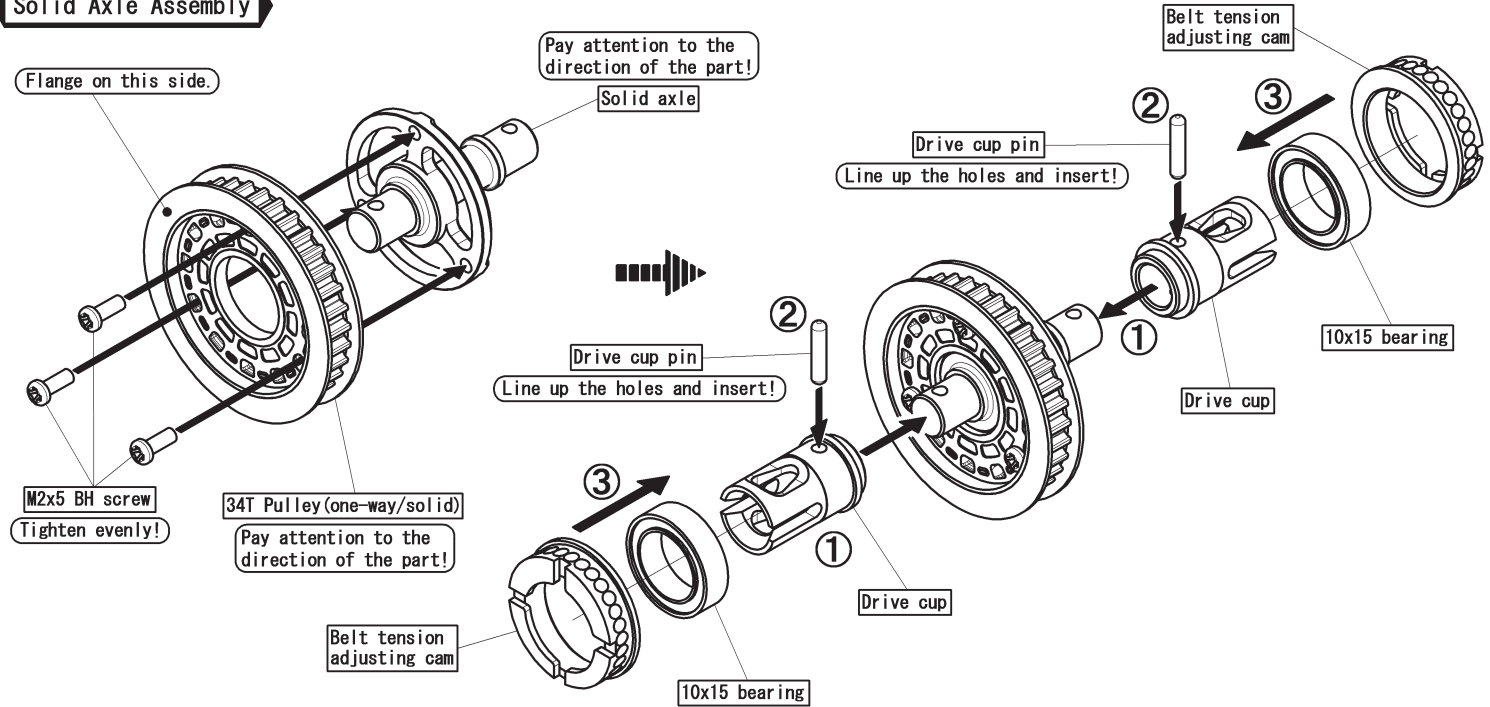
[ SOLID AXLE PARTS ]



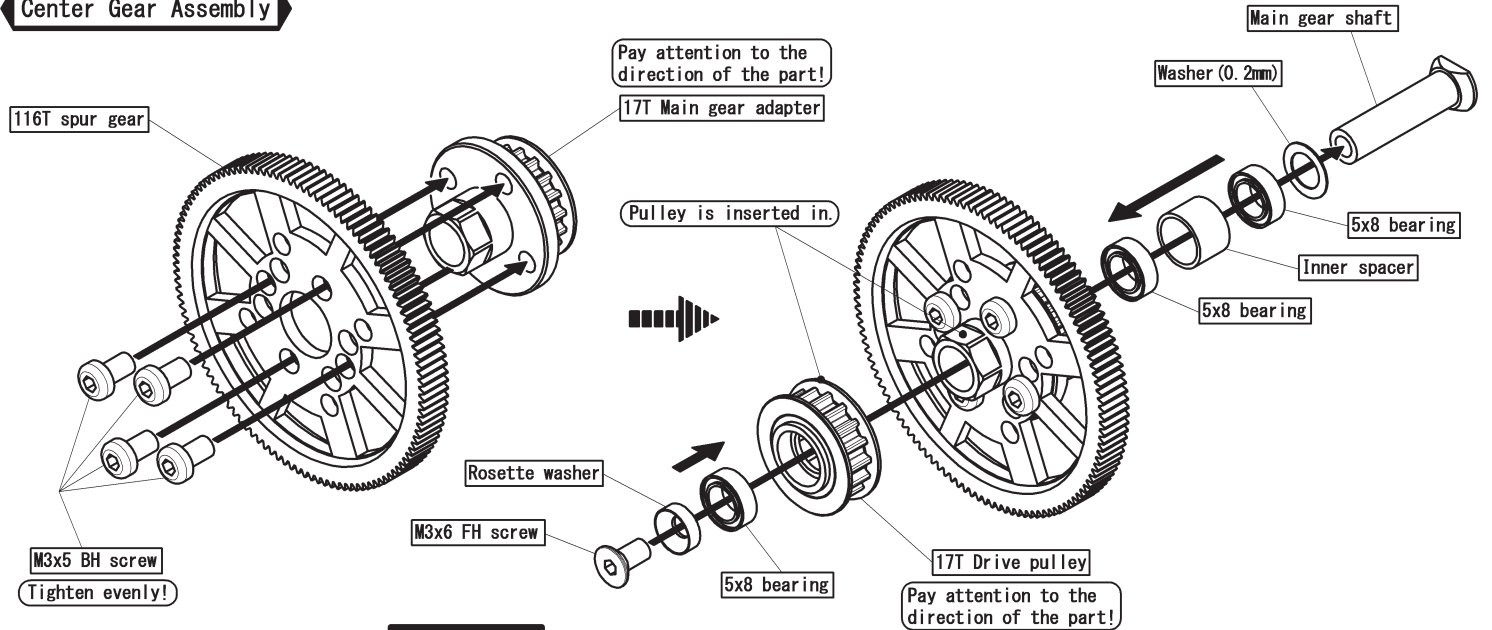
[ CENTER GEAR PARTS ]



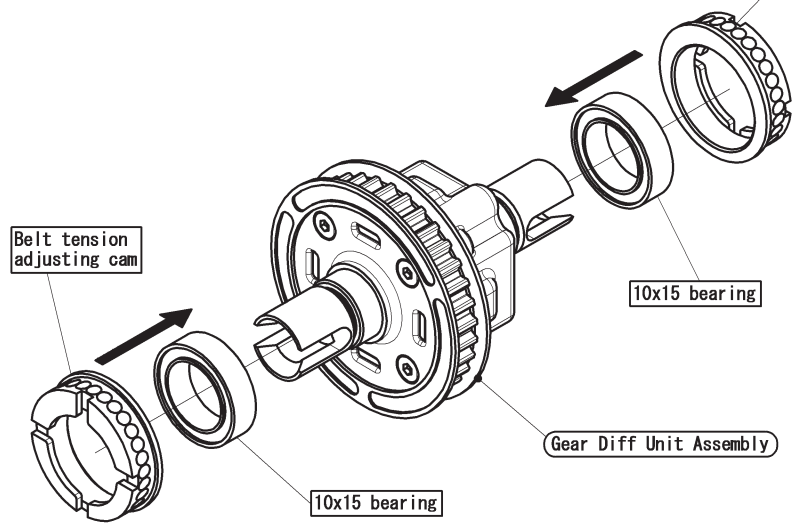
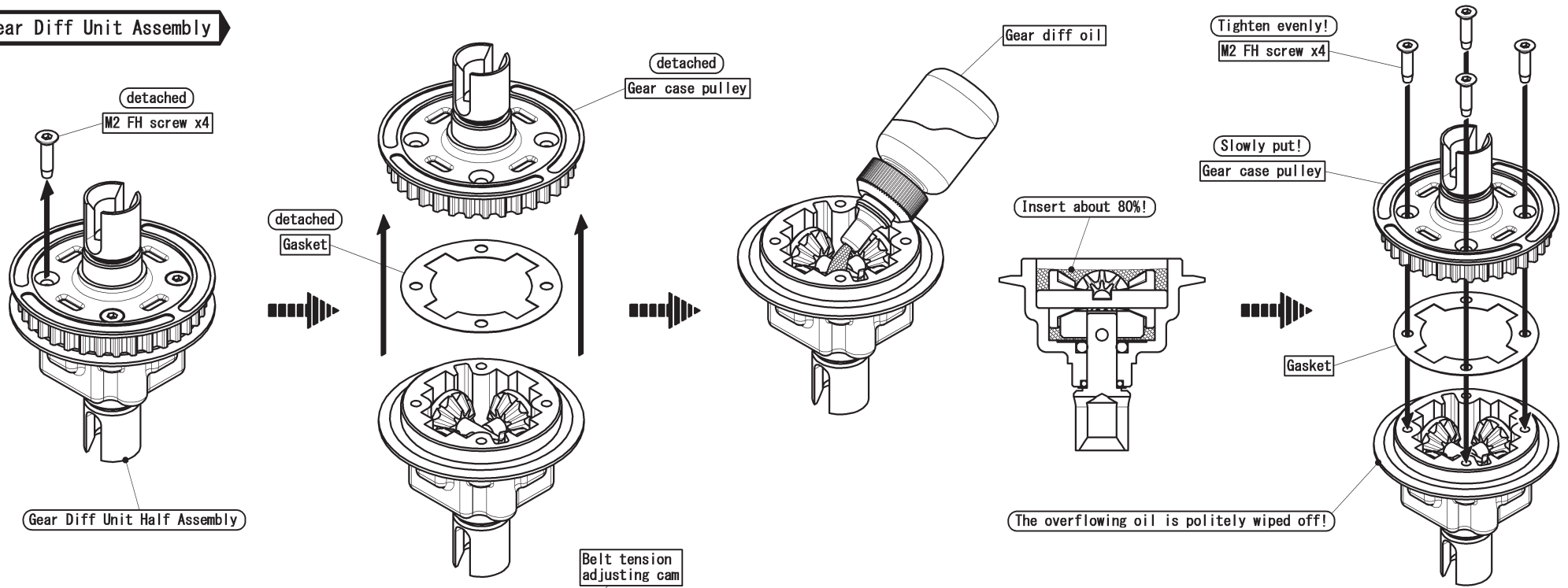
Solid Axle Assembly



Center Gear Assembly



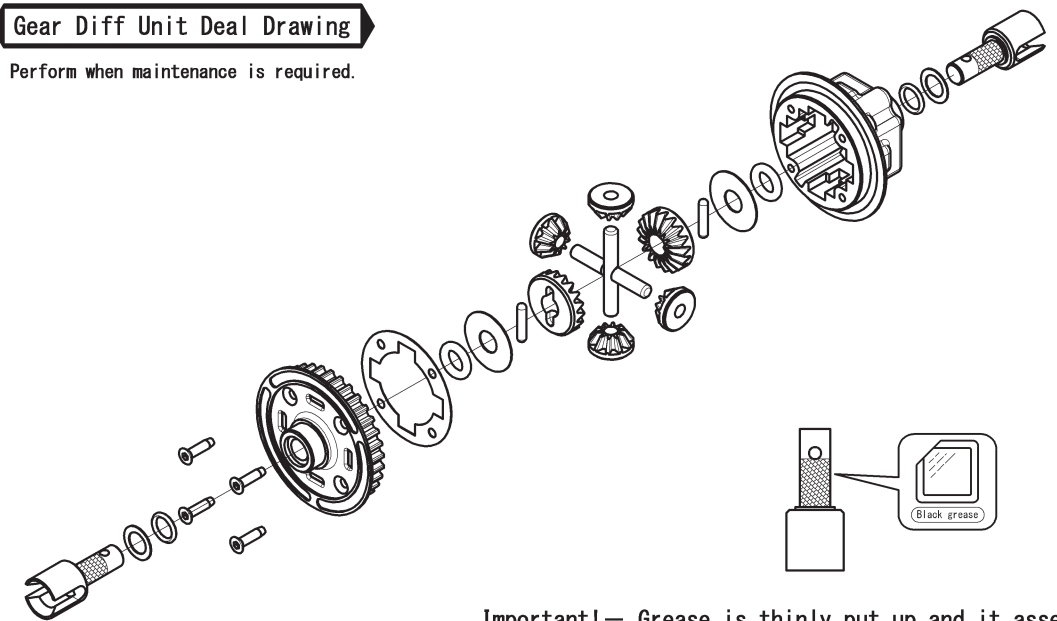
**Gear Diff Unit Assembly**



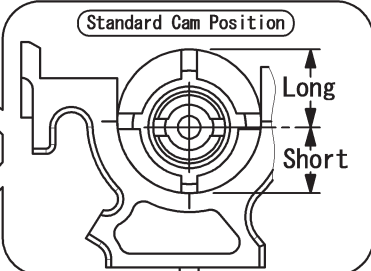
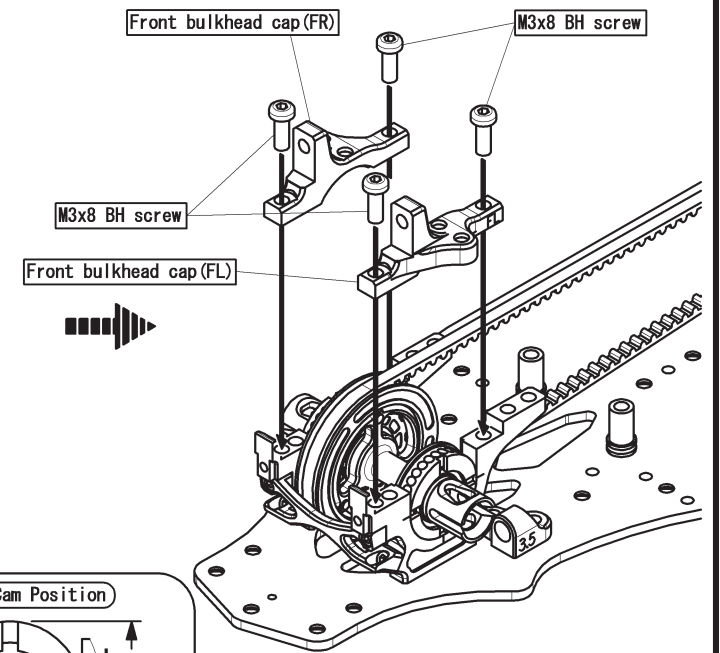
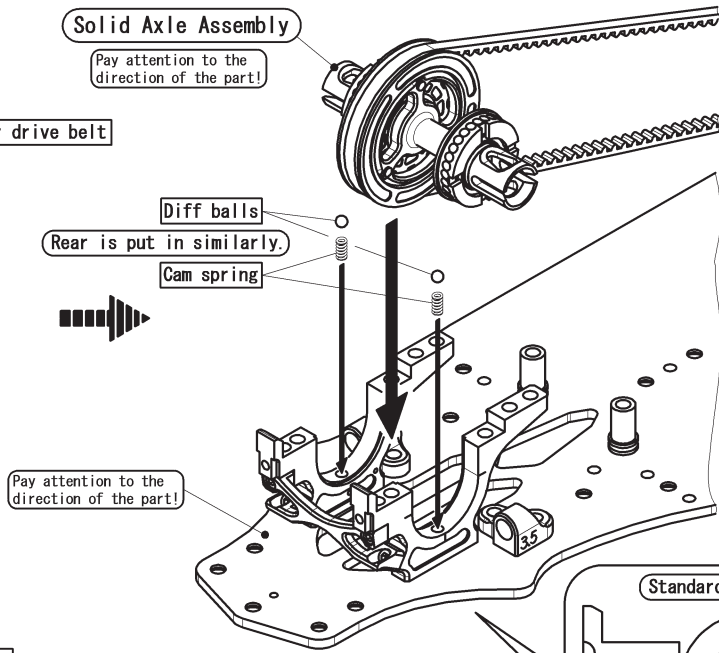
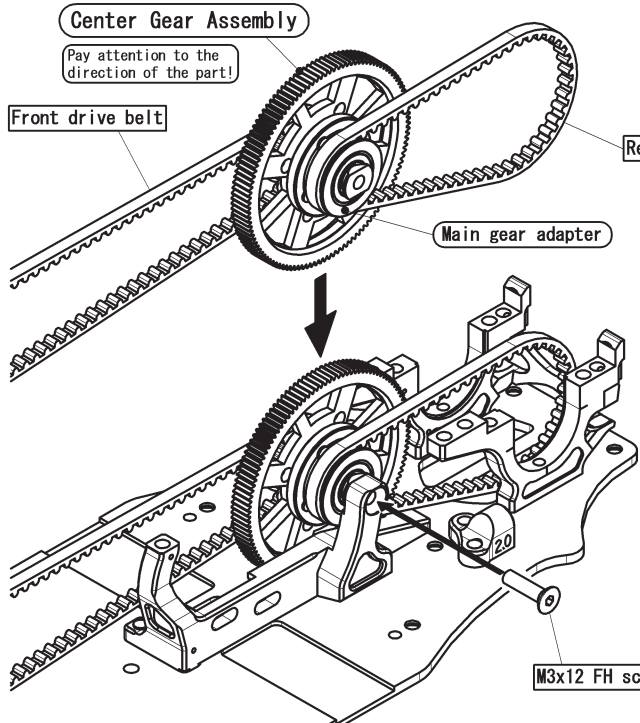
**[ Oil Bag ]**  
 #2000 gear diff oil --x1

**Gear Diff Unit Deal Drawing**

Perform when maintenance is required.



Important!— Grease is thinly put up and it assembles it again when resolving it.



**[ Bag-4 Contents ]**

--x1 Front drive belt

--x1 Rear drive belt

**[ Bag-5 Contents ]**

3x12mm flat head screw --x1

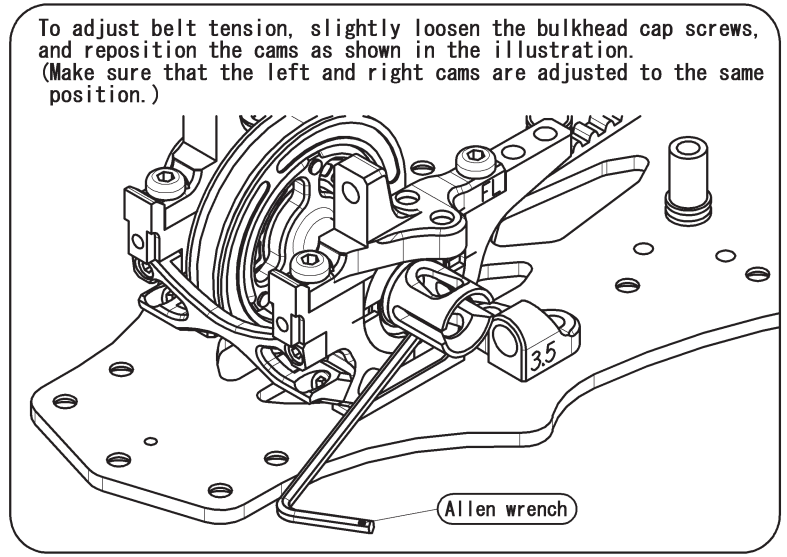
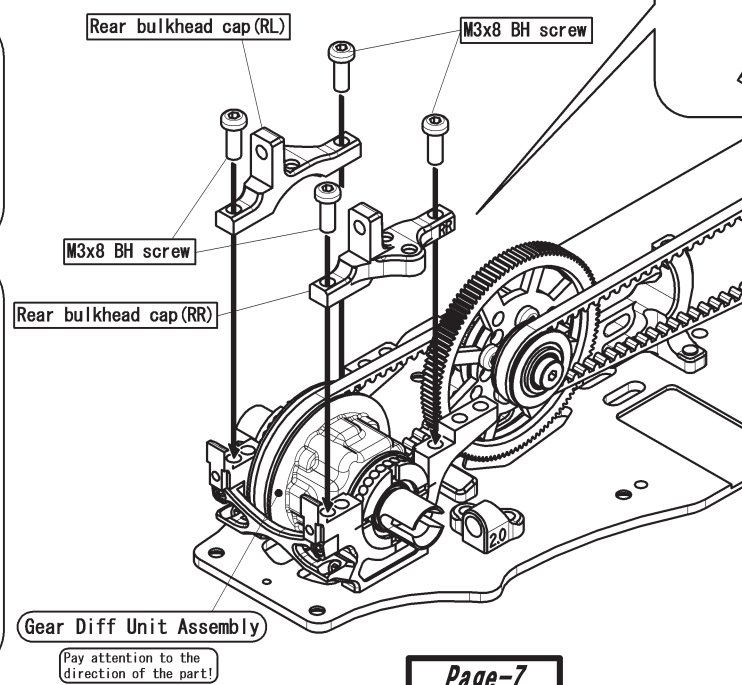
3x8mm button head screw --x8

Cam spring --x4


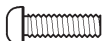





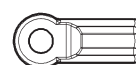
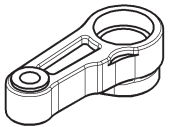
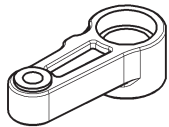
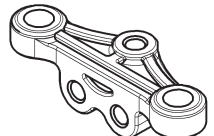
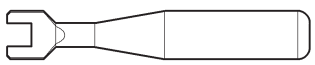

Diff ball --x4

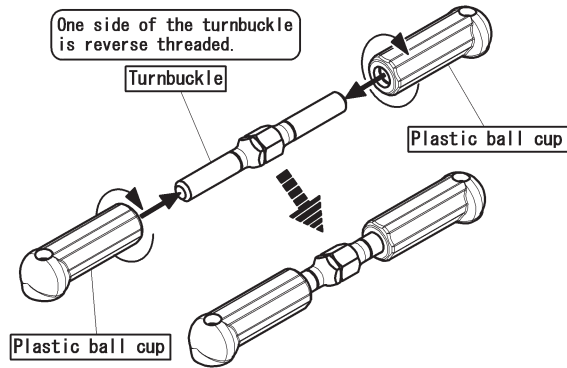
--x1 Front bulkhead cap

--x1 Rear bulkhead cap

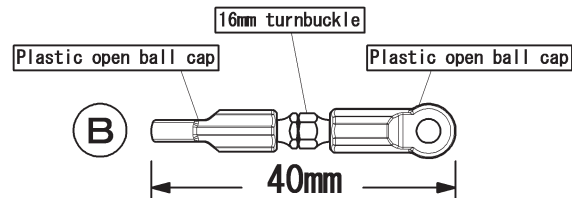
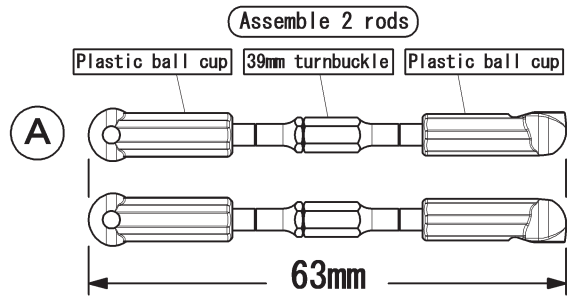
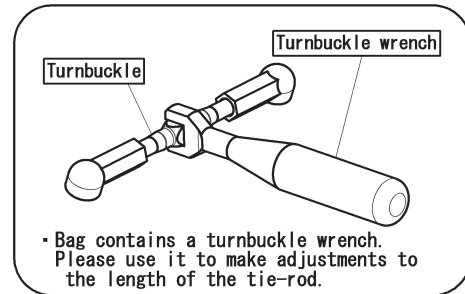


### [ Bag-6 Contents ]

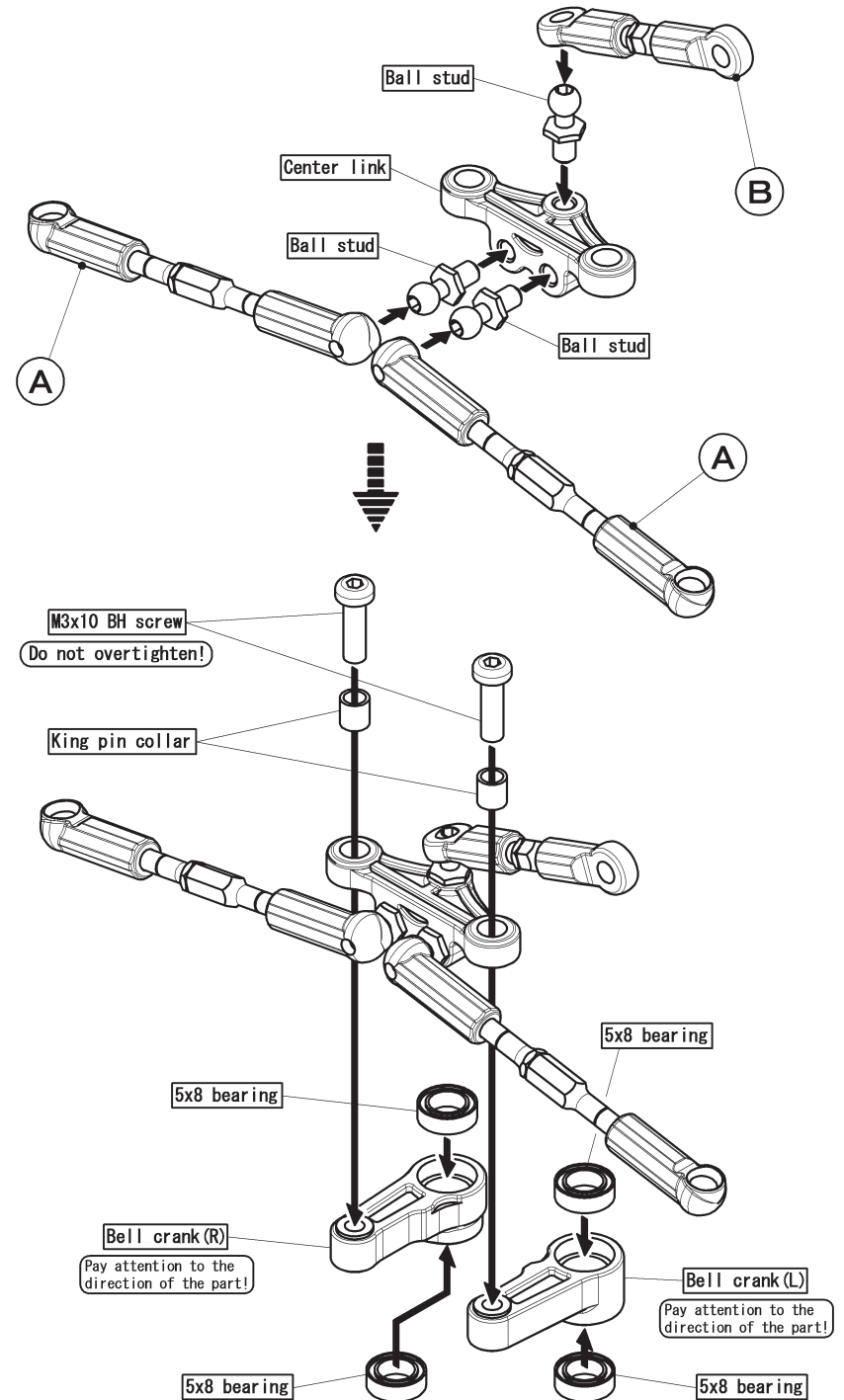
-  --x2 3x6mm button head screw
-  --x2 3x10mm button head screw
-  --x2 King pin collar
-  --x3 Ball stud
-  --x1 16mm turnbuckle
-  --x2 39mm turnbuckle
-  --x4 Plastic ball cup
-  --x2 Plastic open ball cap
-  (R)  (L)  
--x1 Bell crank
-  --x1 Center link
-  --x1 Turnbuckle wrench
-  --x4 5x8mm bearing



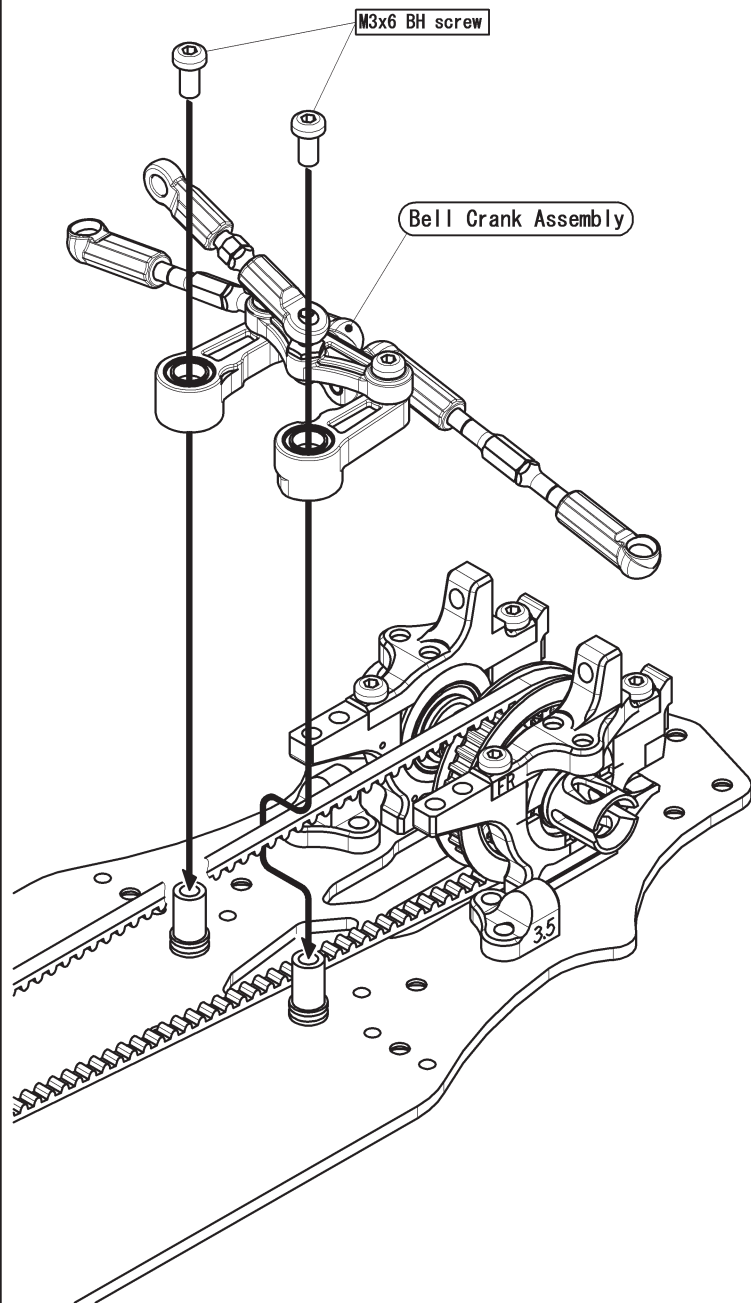
Assemble the tie-rod by attaching a plastic ball cup to both ends of the turnbuckle.

















Length tuning is required by the servo to be used.







### [ Bag-7 Contents ]


-  --x1 3x6mm flat head screw
-  --x2 3x8mm flat head screw
-  --x9 3x6mm button head screw
-  --x1 3x8mm button head screw
-  --x1 Ball stud
-  --x1 Washer (Black)
-  --x1 Servo mount
-  --x1 Battery guide
-  --x1 Servo horn (F)
-  --x1 Servo horn (S/K)
-  --x1 3x10mm tapping screw (Small head)
-  --x1 2.6x10mm tapping screw
-  --x1 3x10mm screw
-  --x1 Upper deck

Servo horn  
(3 different types included.)

 --x1  
3x10mm tapping screw  
(Small head)

 --x1  
2.6x10mm tapping screw

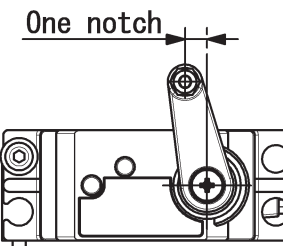
 --x1  
3x10mm screw

 --x1  
Upper deck

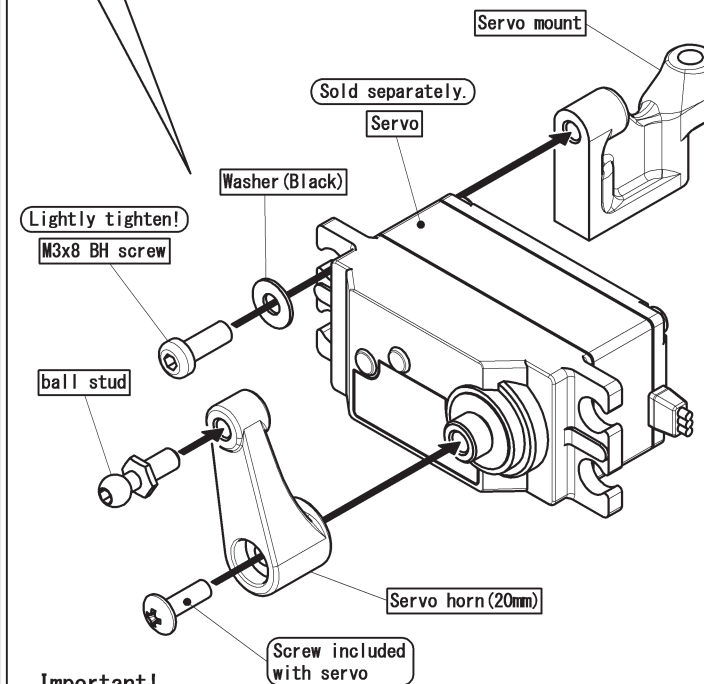
Also included: Double-sided tape x1



Mark	Manufacturer
F	Futaba
H	Hitec
S/K	Sanwa, KO, JR

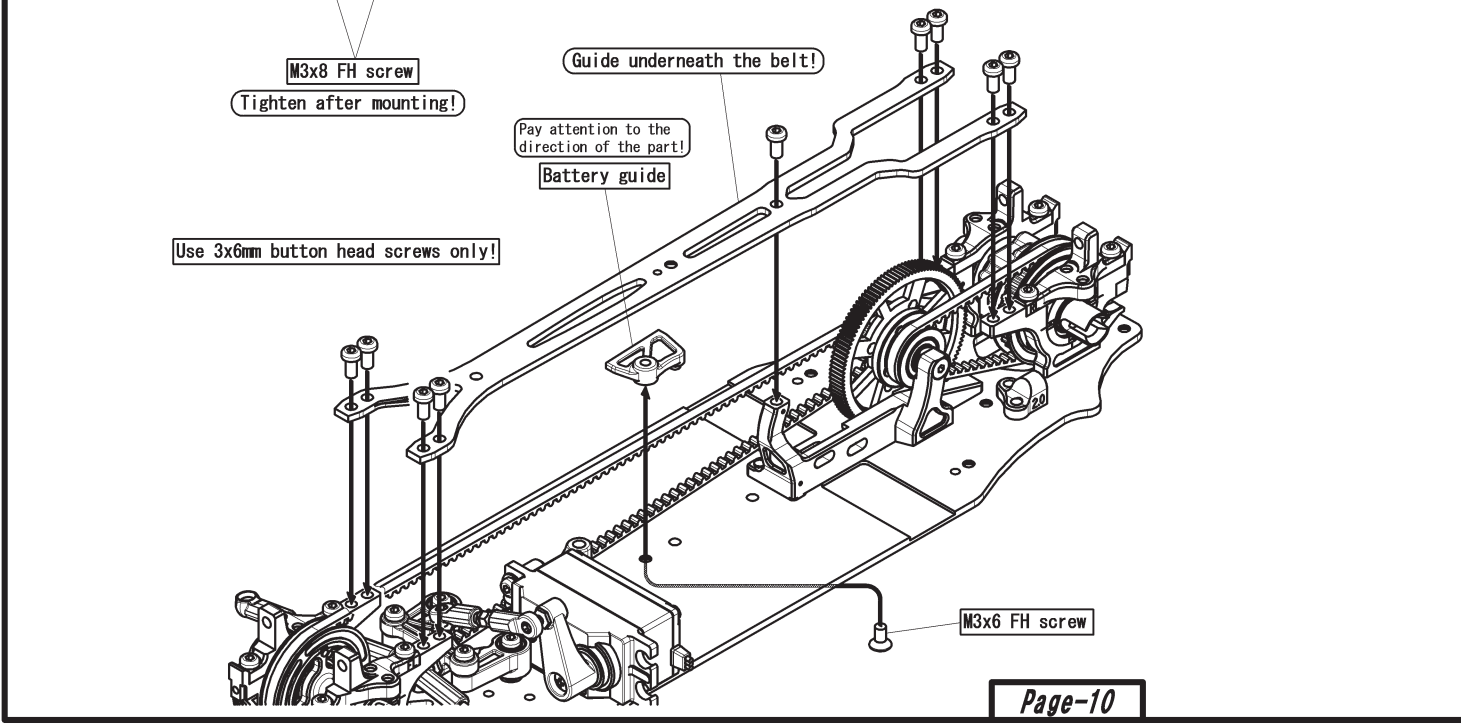
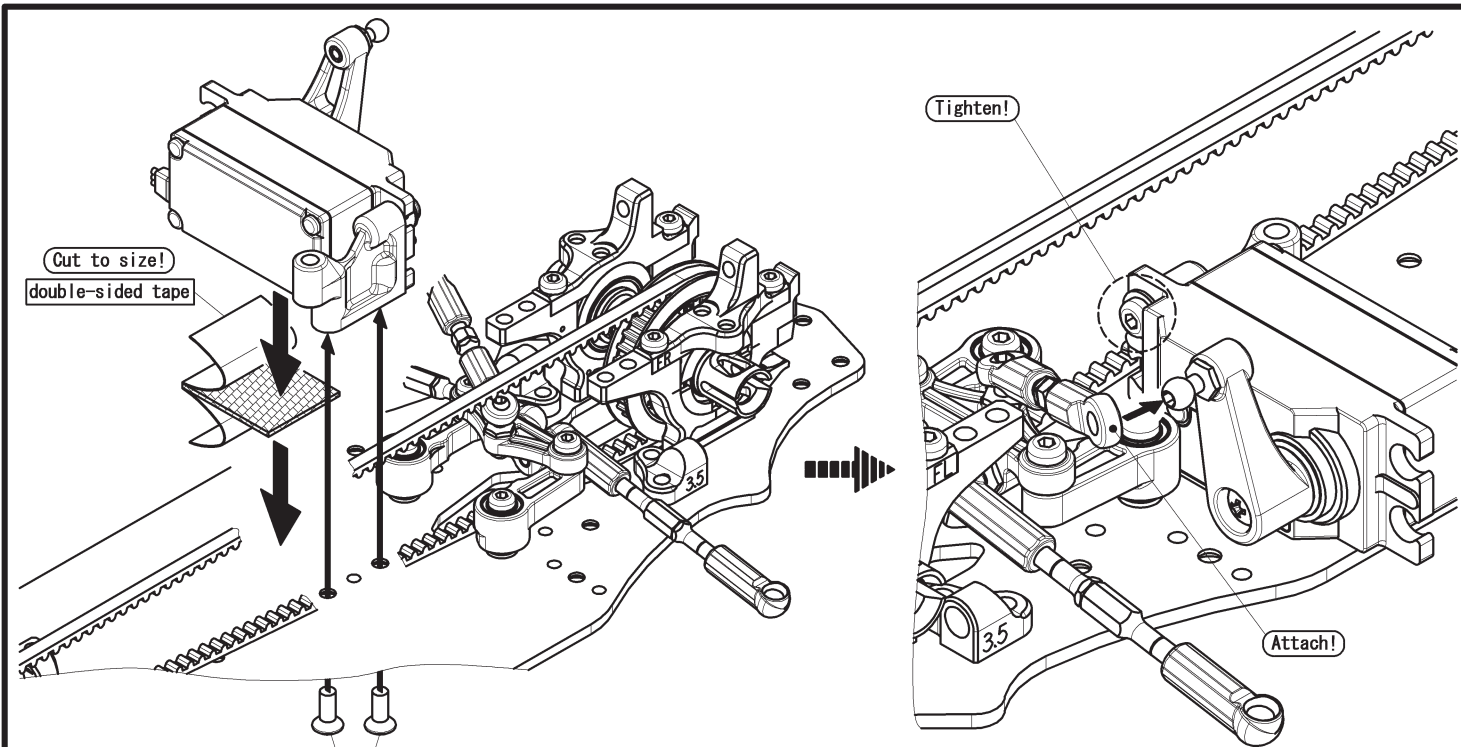


The included servo horns are marked with a letter designating servo compatibility. Select the servo horn matching the servo being used. As shown in the illustration, center the servo, and attach the servo horn, offset by one notch.

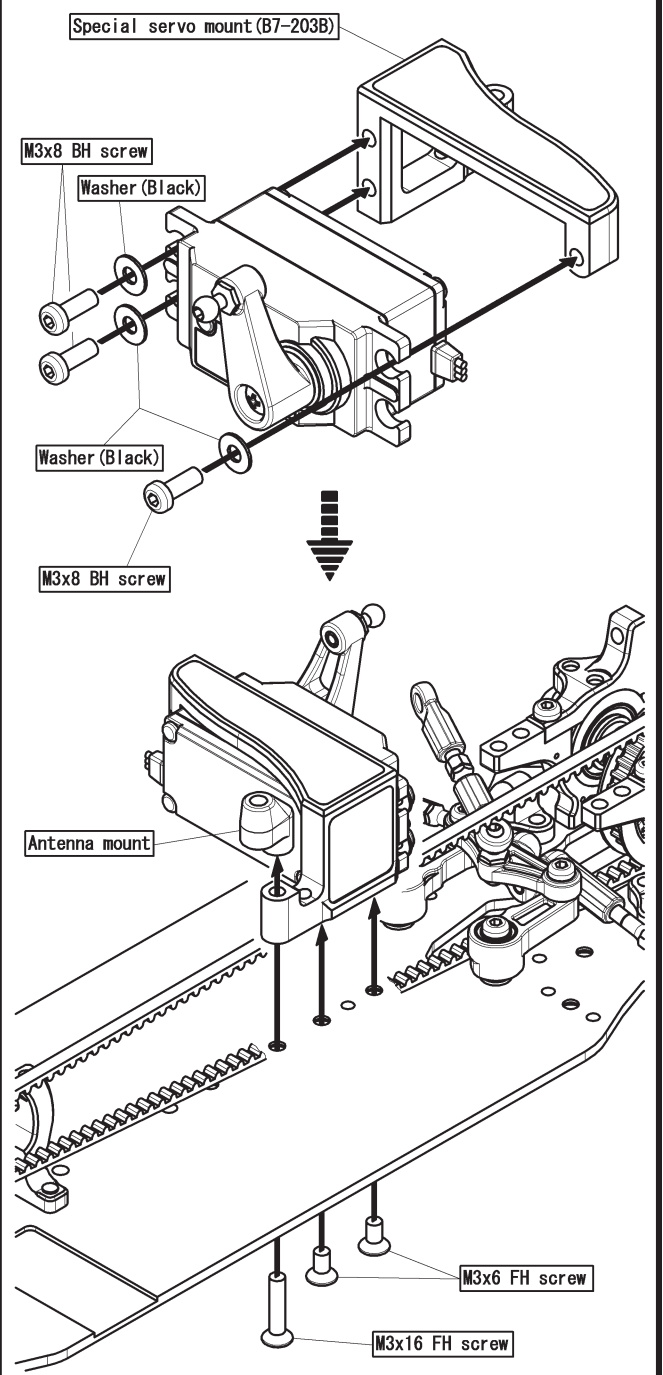


#### Important!

- ① Attach the servo horn to the servo using the same (or similar) screw included with the servo unit. (3 different screws are included in the kit: 2.6x10mm tapping screw, 3x10mm tapping screw, 3x10mm screw)
- ② Make sure that the servo is centered before attaching the servo horn lower. (Refer to your radio manual for more information.)
- ③ Kit includes 3 servo horns. Select the servo horn designated for use with the servo being used. (Using an incorrect servo horn may result in damage to the servo.)

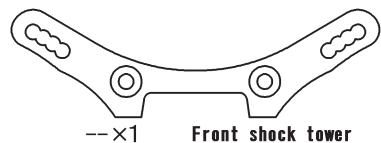


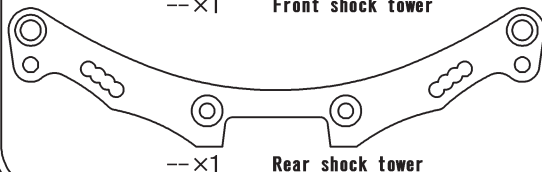
**Special Servo Mount (Sold separately.)**




**[ Bag-8 Contents ]**

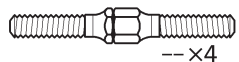
 --x4 3x8mm flat head screw


 --x1 Front shock tower

 --x1 Rear shock tower

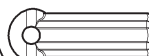
**[ Bag-9 Contents ]**

 --x4 Ball stud

 --x4 30mm turnbuckle

 --x4 3mm spacer

**Remaining parts from [ Bag-6 Contents ]**

 --x8 Plastic ball cup

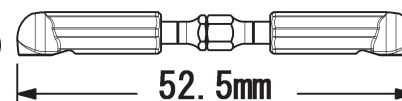
One side of the turnbuckle is reverse threaded.

30mm turnbuckle

Plastic ball cup

Plastic ball cup

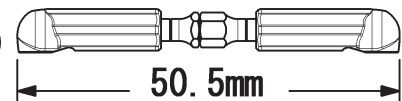
C



Assemble 2 rods

52.5mm

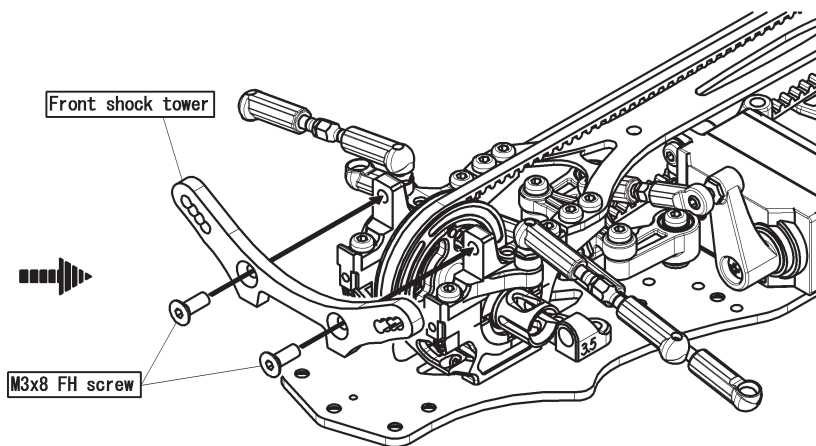
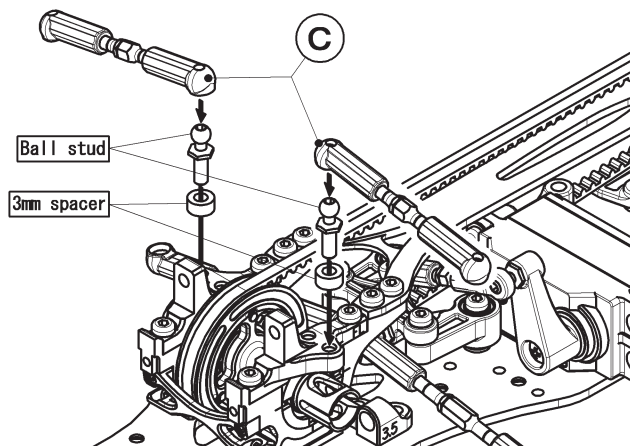
D



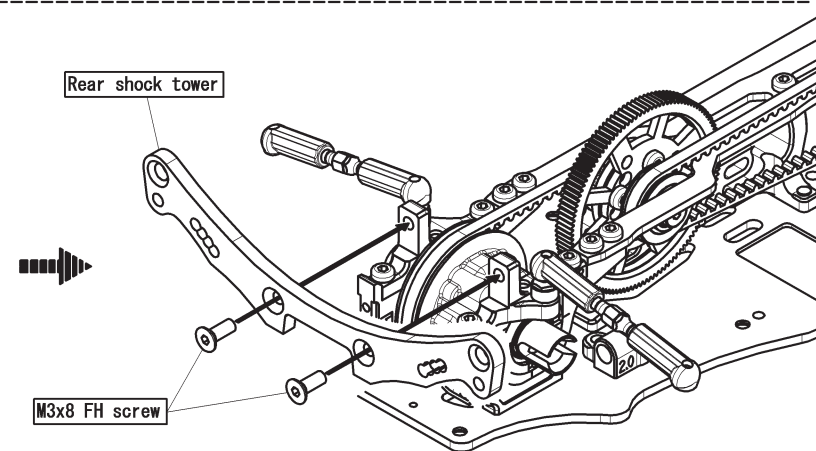
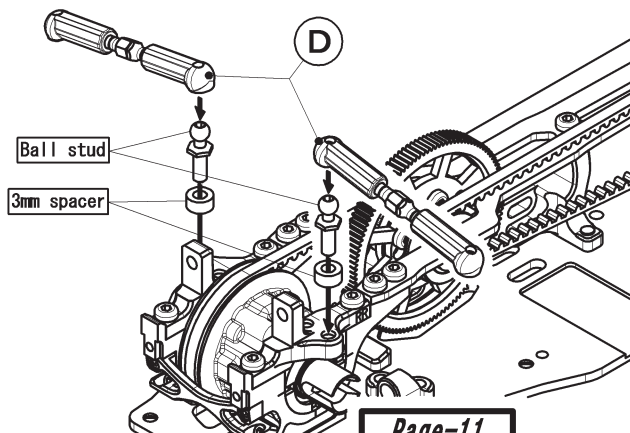
Assemble 2 rods

50.5mm

**Installing on front shock tower**



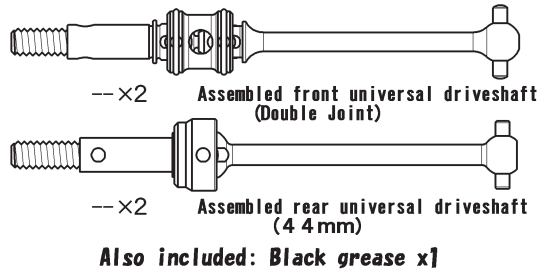
**Installing on rear shock tower**



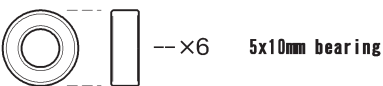
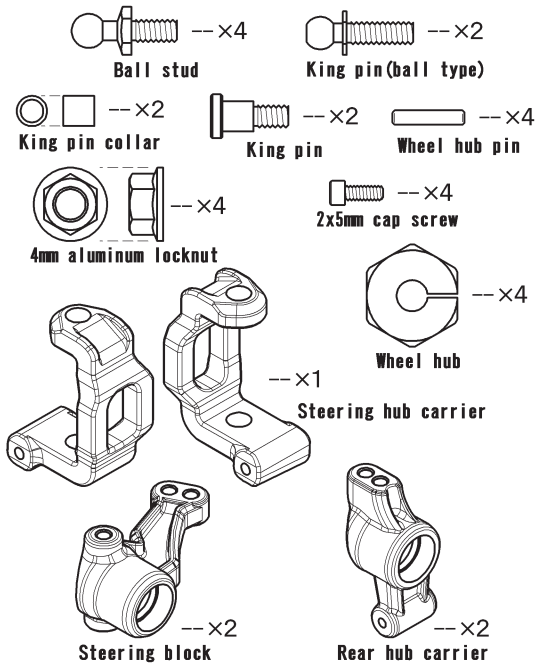
**Important!**

To attach an arm inside, (ZC-206MH) is required separately.

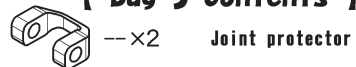
### [ Bag-10 Contents ]



### [ Bag-11 Contents ]



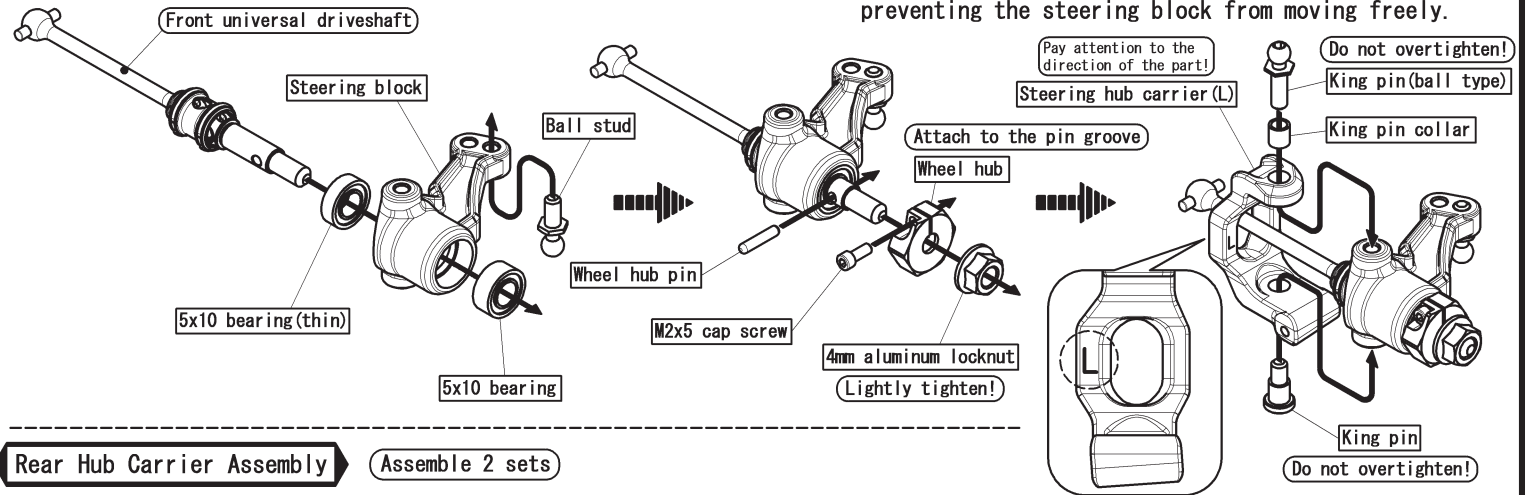
### Remaining parts from [ Bag-3 Contents ]



### Front Hub Carrier Assembly

Assemble 2 sets

(The steering hub carriers are different left and right.)



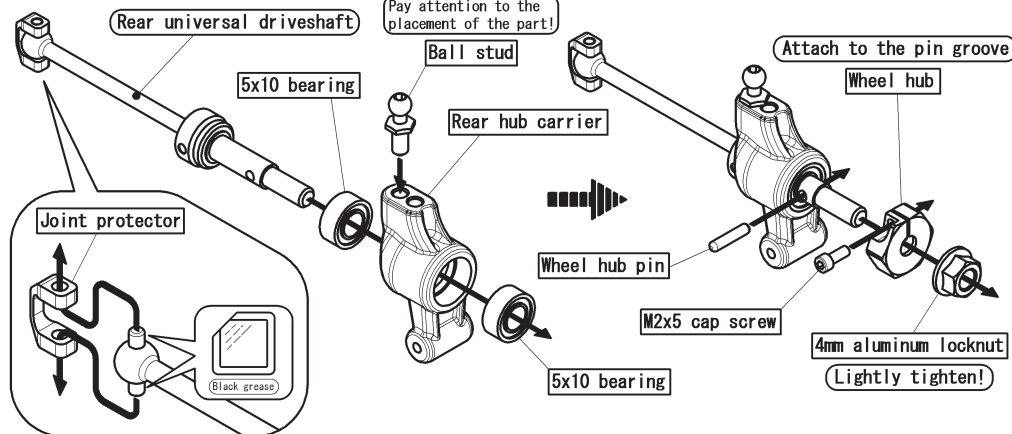
Important!

- ① The left and right steering hub carriers are different.
- ② Slowly tighten the upper king pin. Overtightening the king pin may cause the king pin collar to be squished, preventing the steering block from moving freely.

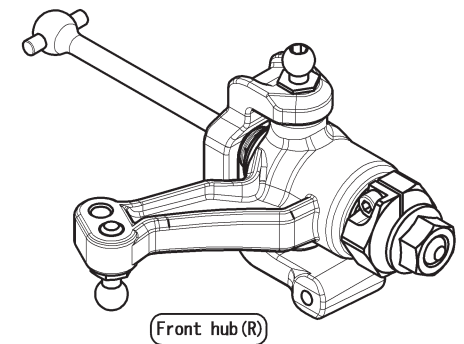
### Rear Hub Carrier Assembly

Assemble 2 sets

(Pay attention to the placement of the part!)

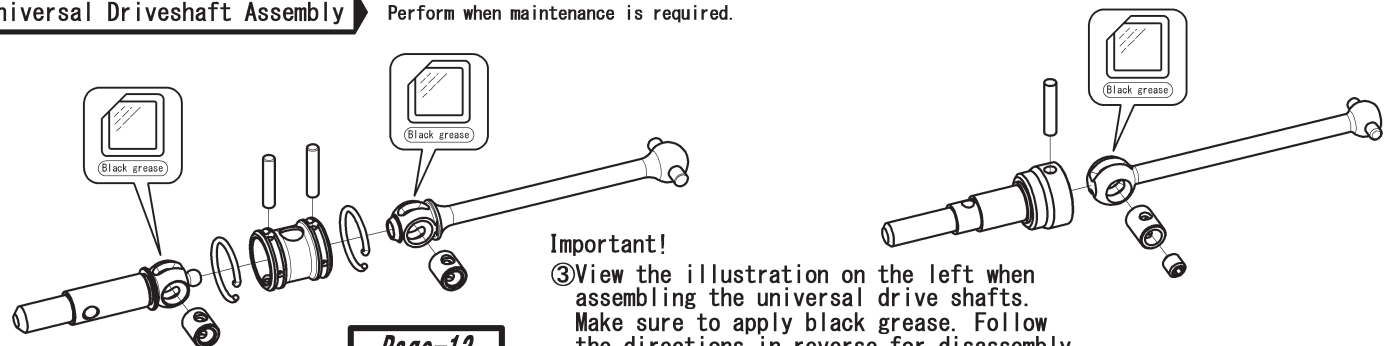


[ Assemble each side in the same manner. ]



### Universal Driveshaft Assembly



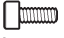








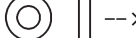
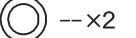
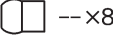
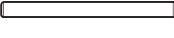
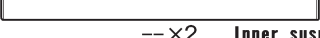
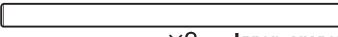




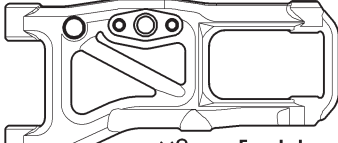
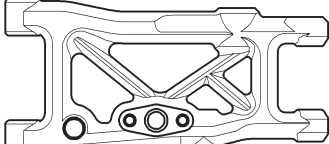
Perform when maintenance is required.



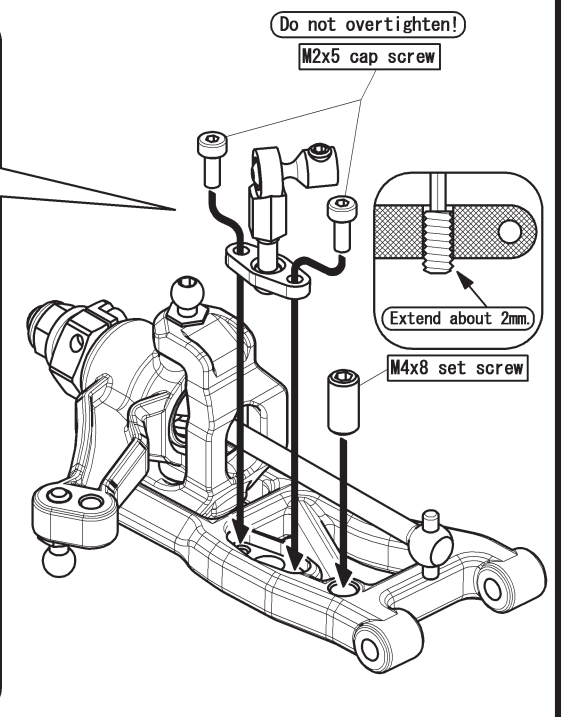
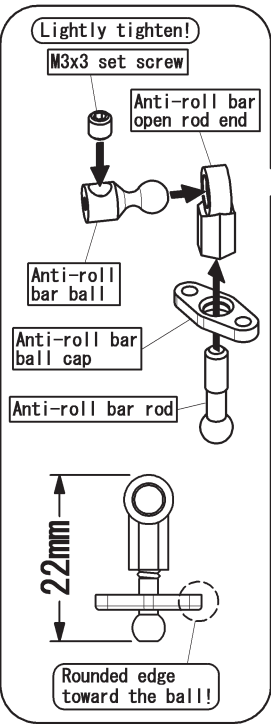
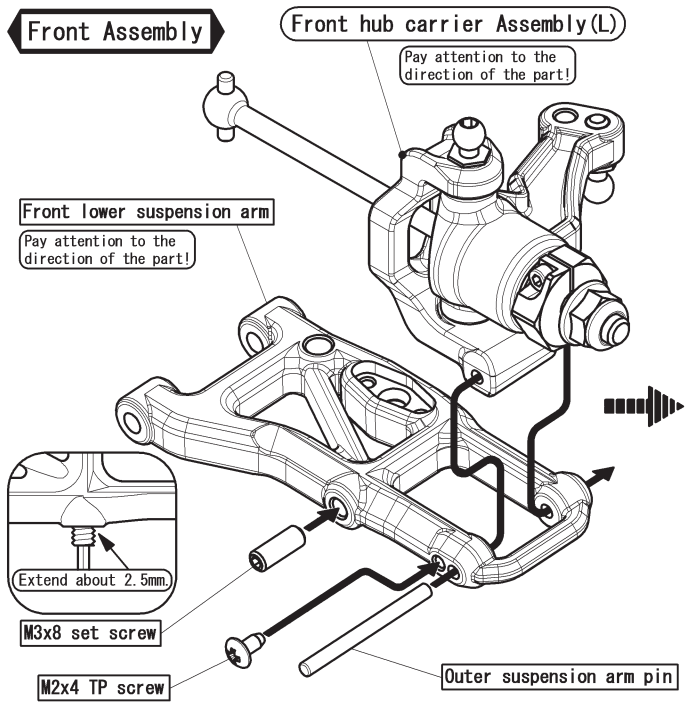
Important!

- ③ View the illustration on the left when assembling the universal drive shafts. Make sure to apply black grease. Follow the directions in reverse for disassembly.

# [ Bag-12 Contents ]

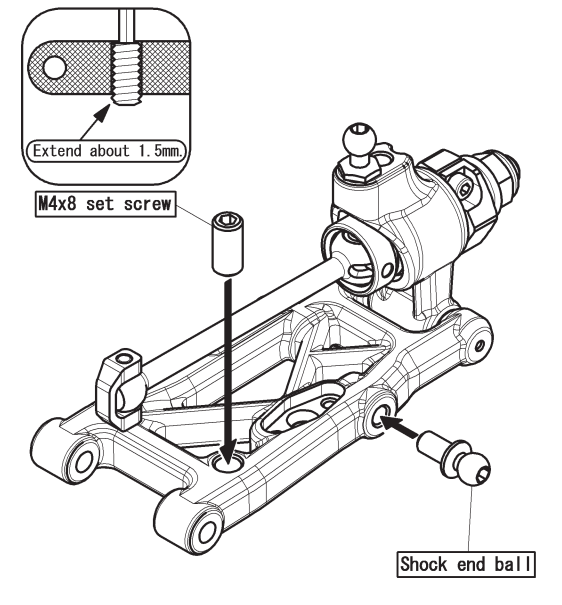
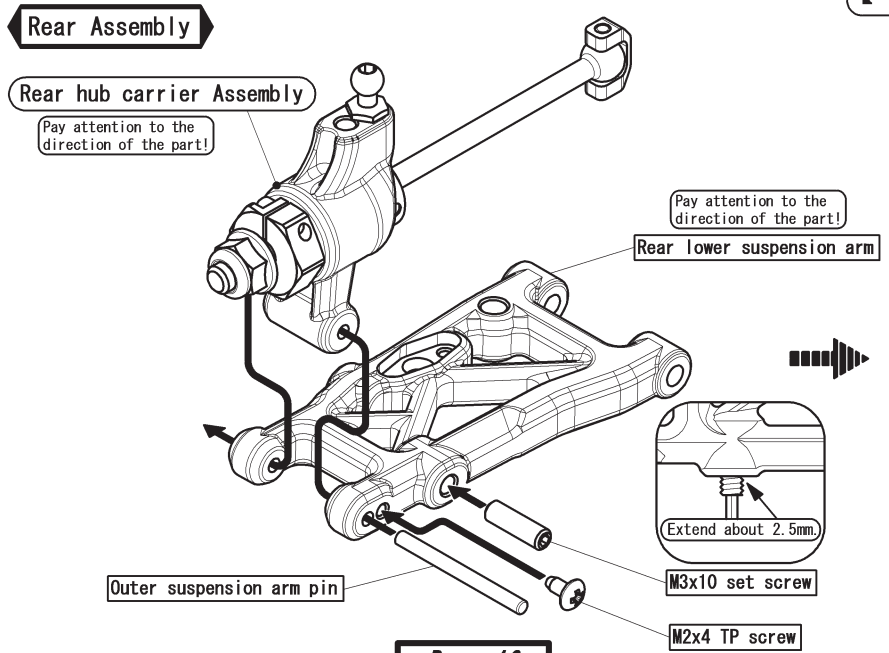
-  --x4
-  --x4
-  --x4
-  --x4
-  --x2
-  --x2
-  --x2
-  --x2
-  --x2
-  --x2
-  --x4
-  --x4
-  --x2
-  --x8
-  --x4
-  --x2
-  --x2
-  --x1
-  --x1
-  --x2
-  --x2 (Included with the suspension arms.)
-  --x2
-  --x2

## Front Assembly

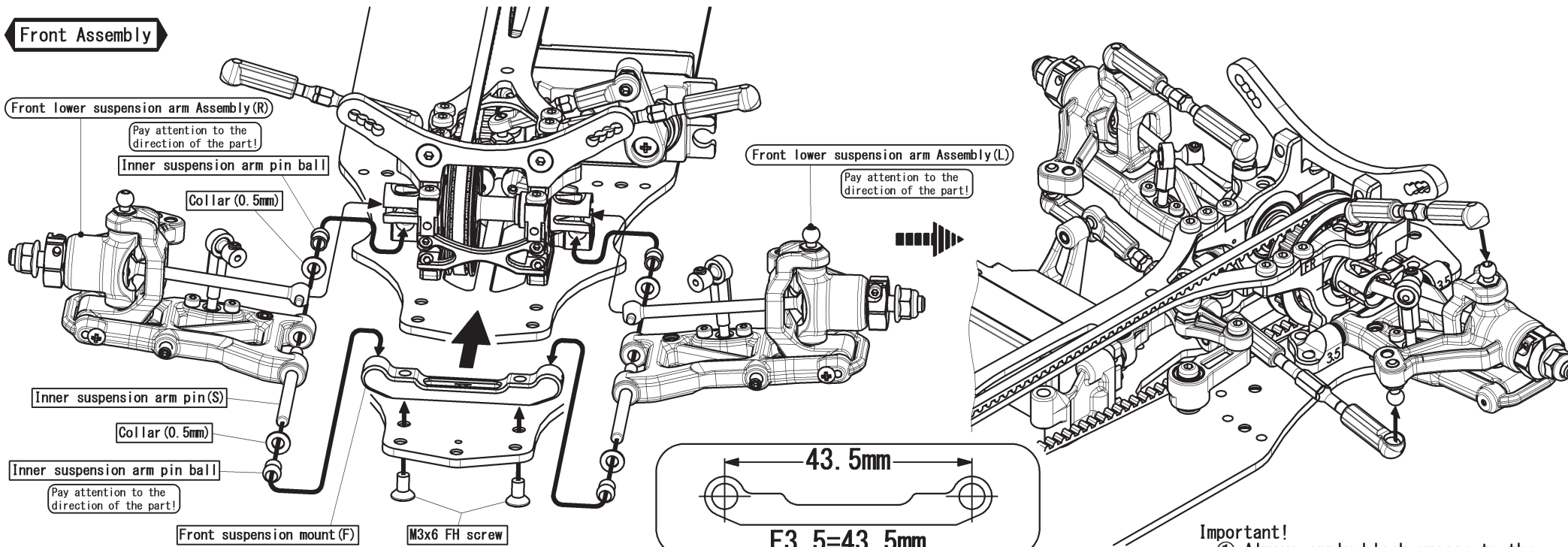


[ Assemble each side in the same manner. ]

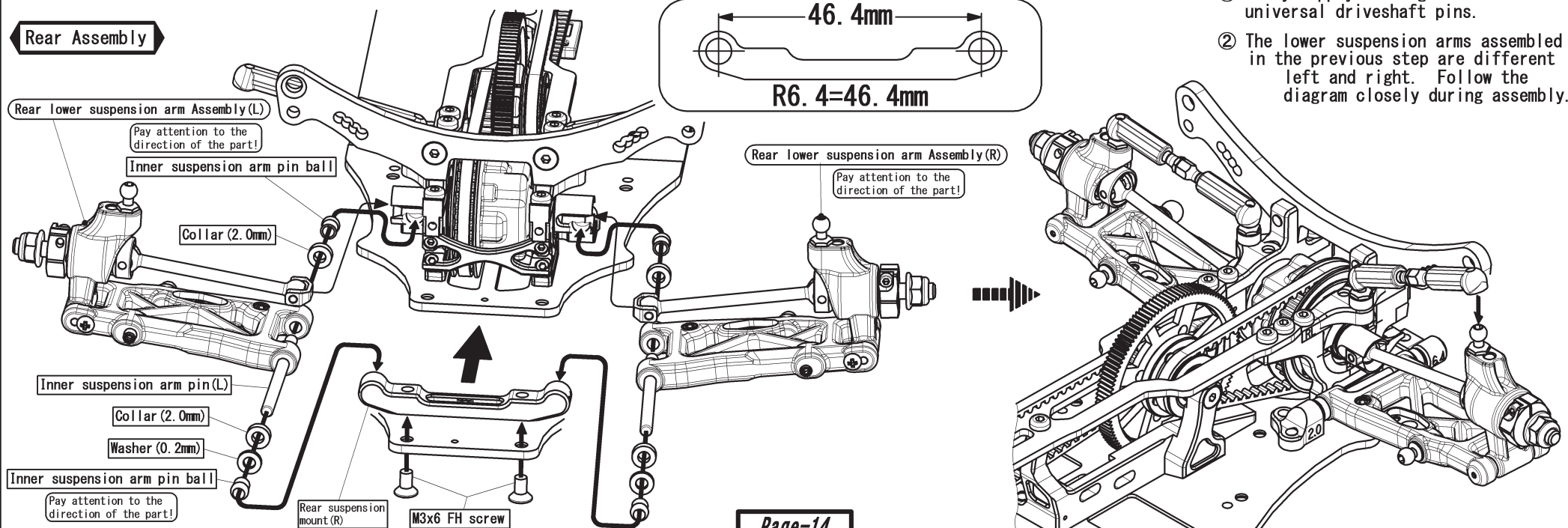
## Rear Assembly



### Front Assembly
















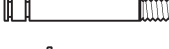




### Rear Assembly



- Important!**
- ① Always apply black grease to the universal driveshaft pins.
  - ② The lower suspension arms assembled in the previous step are different left and right. Follow the diagram closely during assembly.

# [ Bag-13 Contents ]

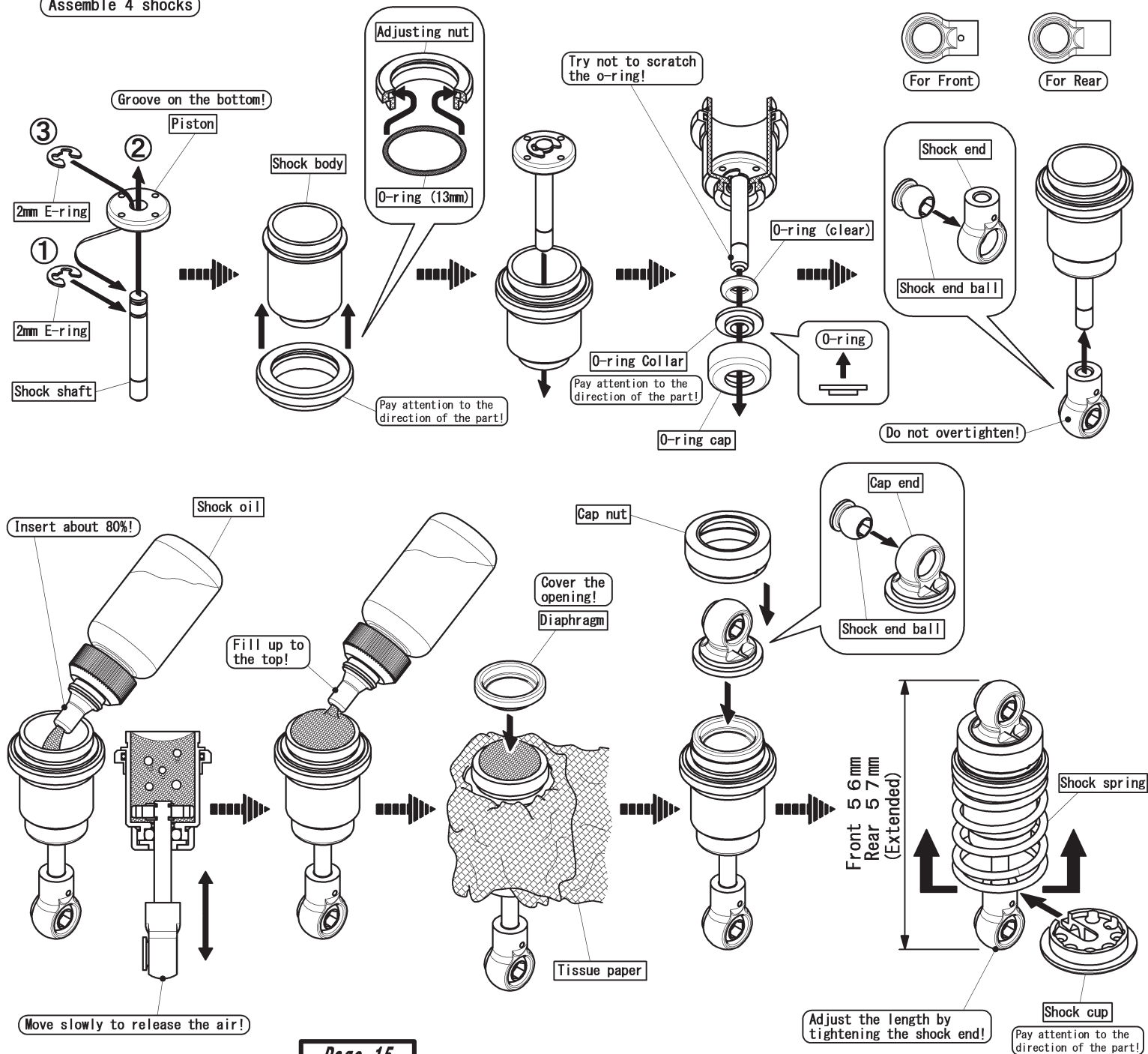
-  --x4    3x6mm button head screw
-  --x4     --x8    2mm E-ring
-  --x4     --x4    O-ring Collar
-  --x4     --x4    Cap nut
-  --x4     --x4    Spring cup
-  --x2     --x2     --x8    Shock end ball
-  --x4     --x4    O-ring (13mm diameter)
-  --x4    Diaphragm
-  --x4    Shock shaft
-  --x4    Shock body
-  --x4    Shock spring

Also included: Allen wrench(3.0mm) x1

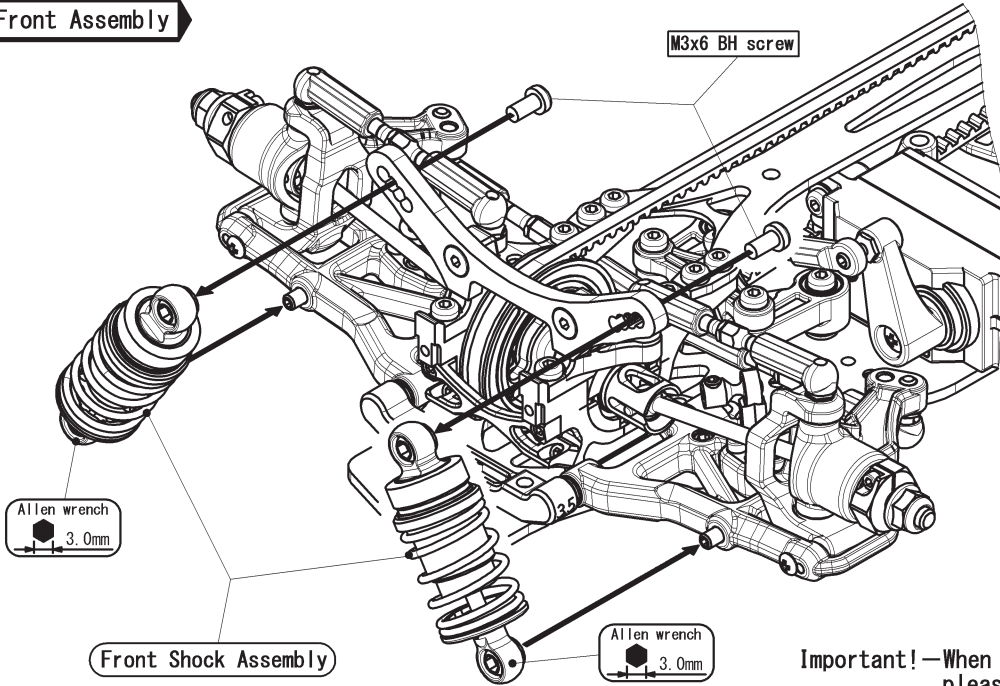
## [ Oil Bag ]

#400 shock oil --x1

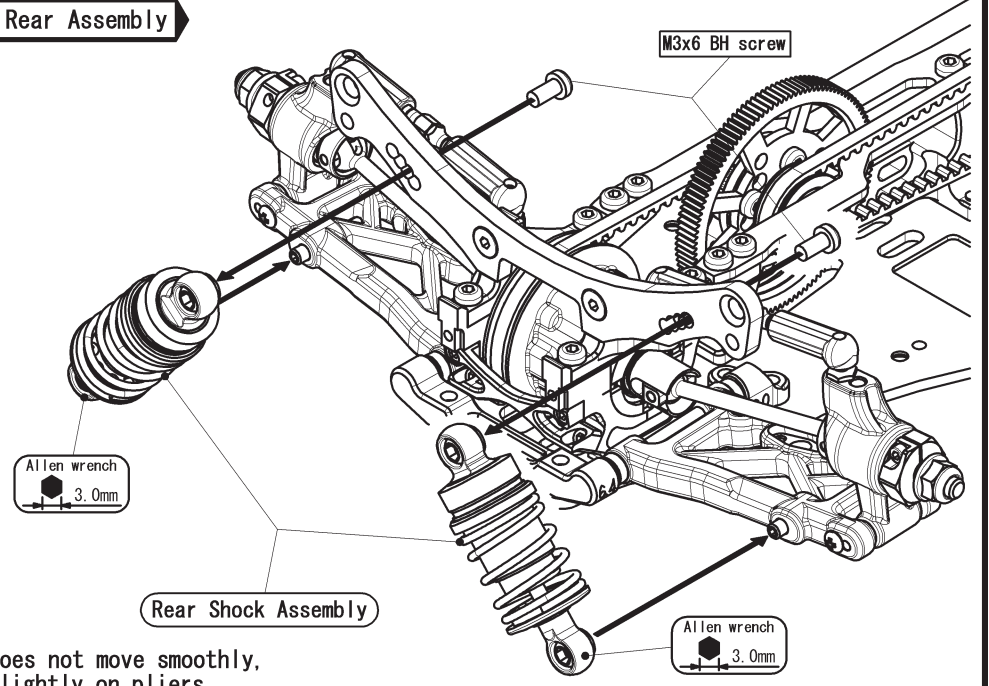
### Assemble 4 shocks



**Front Assembly**



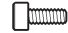

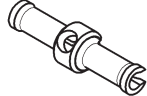

**Rear Assembly**



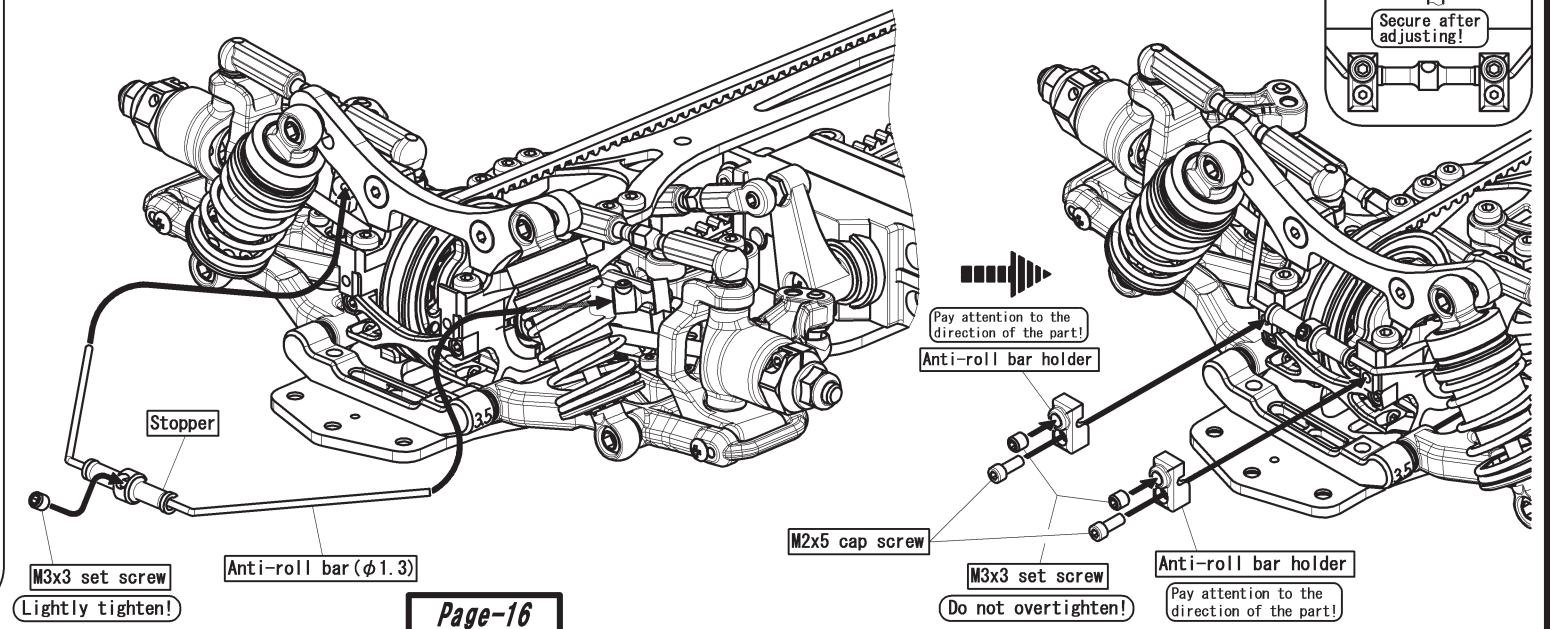
Important!—When a ball does not move smoothly, please crush lightly on pliers.

**[ Bag-14 Contents ]**

**[FRONT ANTI-ROLL BAR PARTS]**

-  --x2 2x5mm cap screw
  -  --x3 3x3mm set screw
  -  --x1 Stopper
  -  --x2 Anti-roll bar holder
- Thickness markings
- x1 Anti-roll bar (φ1.3) front
- ← φ 1.3

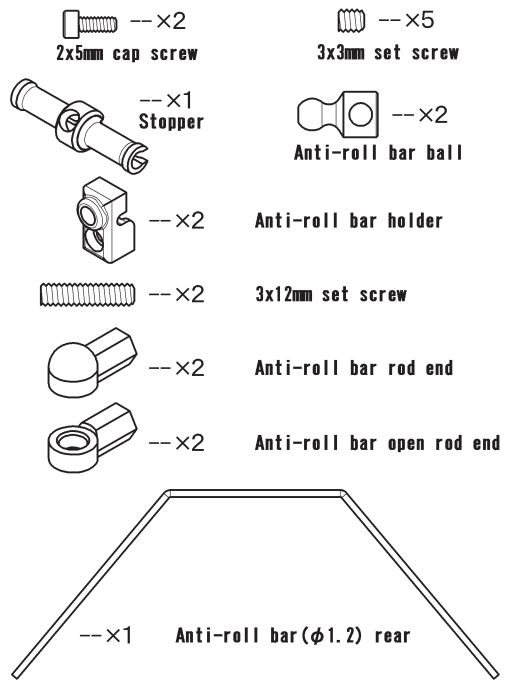
**Front Assembly**



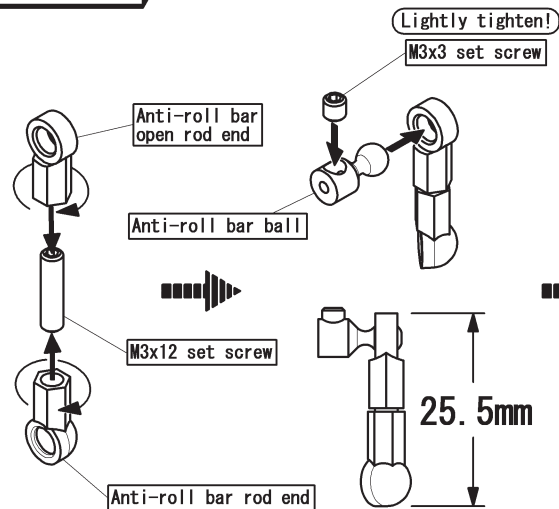


[ Bag-14 Contents ]

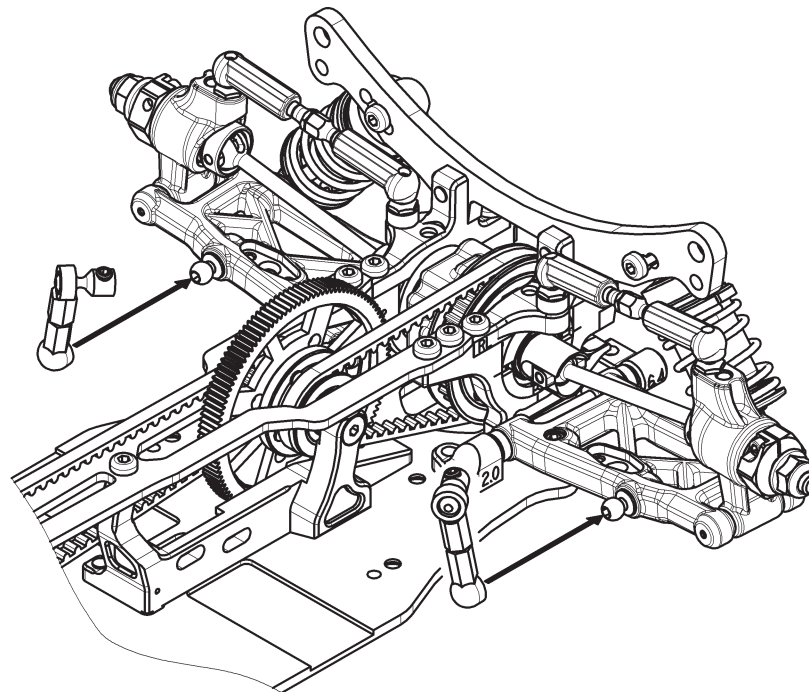
[REAR ANTI-ROLL BAR PARTS]



Rear Assembly

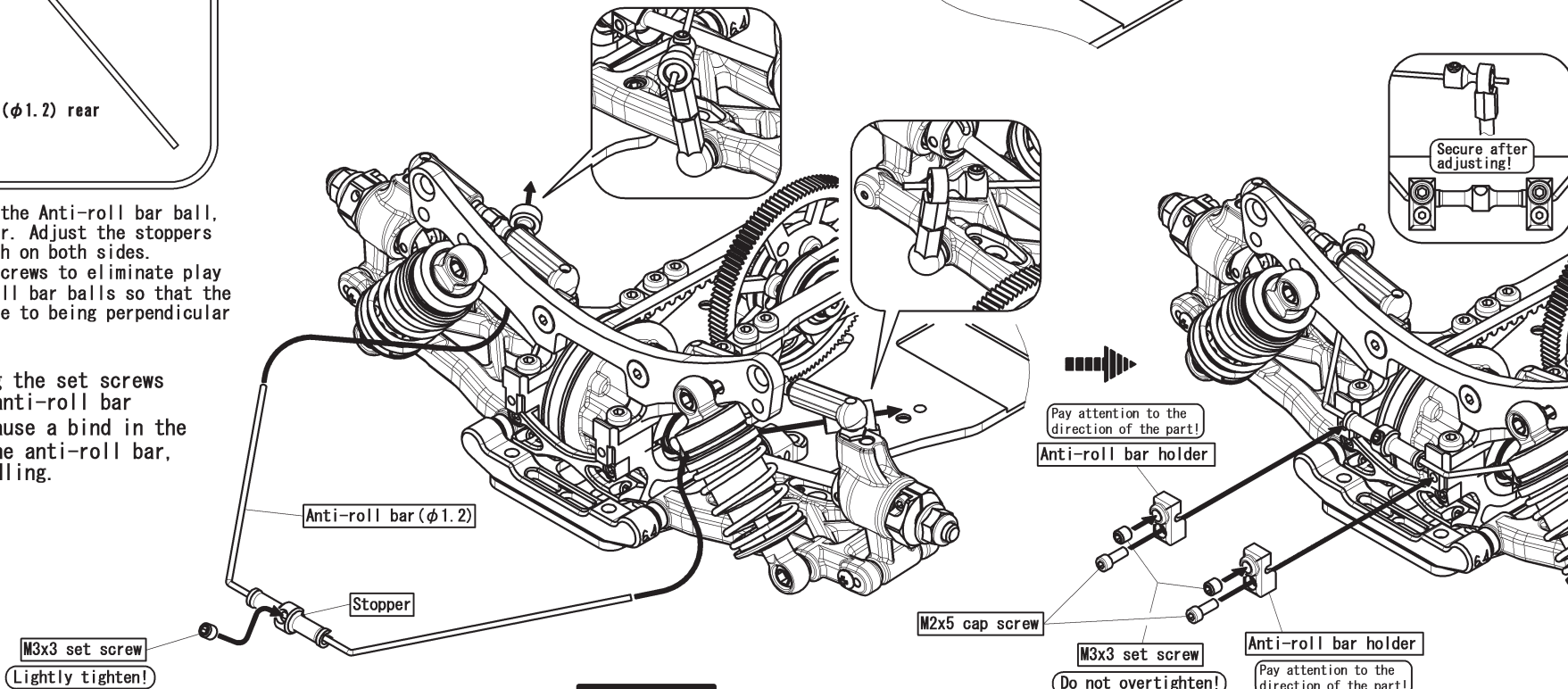


Assemble 2 sets






Insert the Anti-roll bar into the Anti-roll bar ball, secure the Anti-roll bar holder. Adjust the stoppers so that the bar is equal length on both sides. Tighten the 3x3mm holder set screws to eliminate play in the bar. Adjust the Anti-roll bar balls so that the Anti-roll bar rods are as close to being perpendicular to the bar as possible.


**Important!**—Overtightening the set screws used for the anti-roll bar holders may cause a bind in the movement of the anti-roll bar, affecting handling.

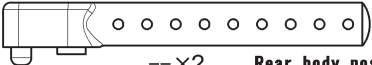


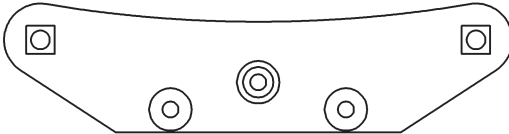
**[ Bag-15 Contents ]**

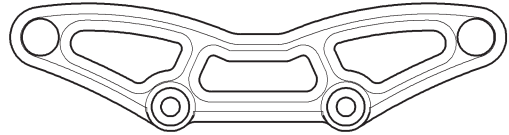
 --x7   
  --x2   
  --x2  
 3x8mm FH screw    3x15mm FH screw    3x6mm BH screw

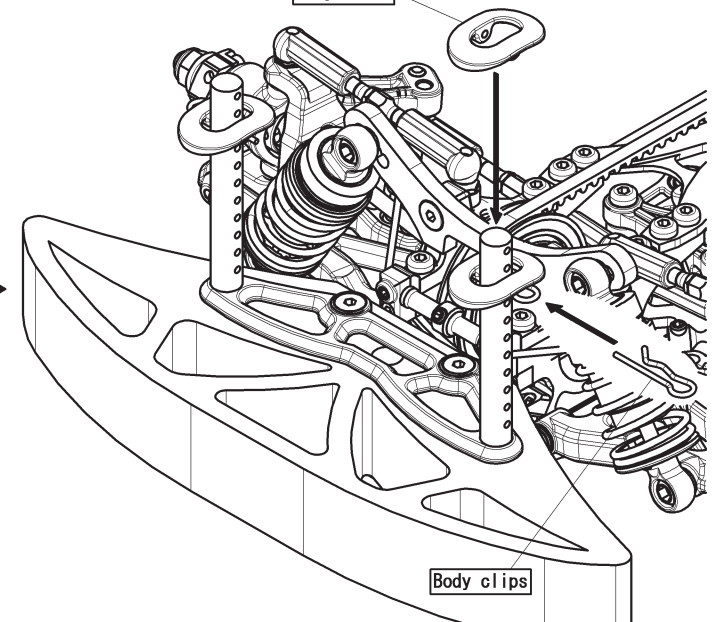
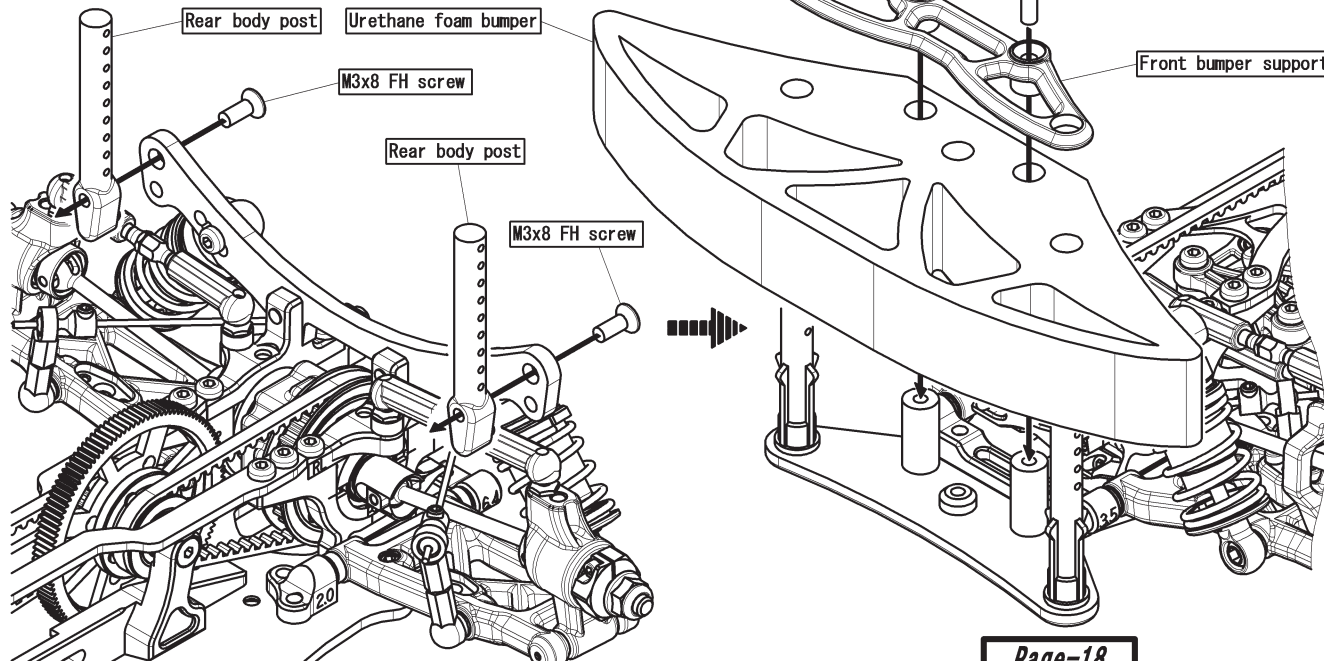
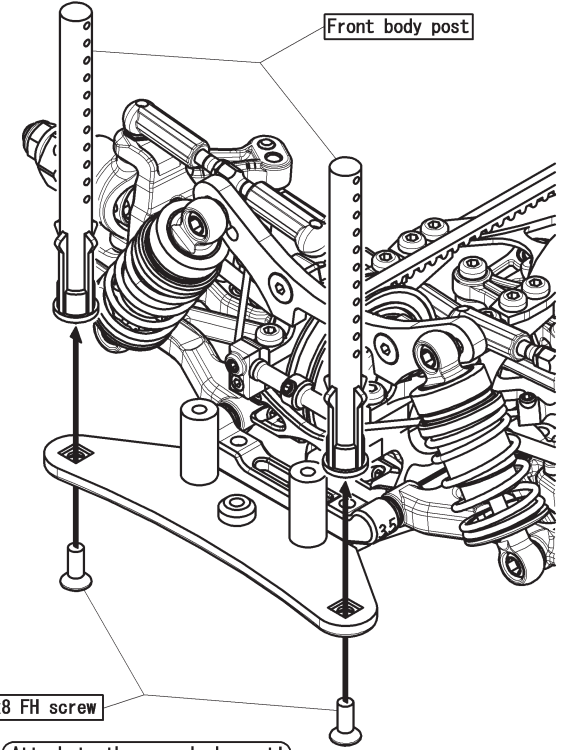
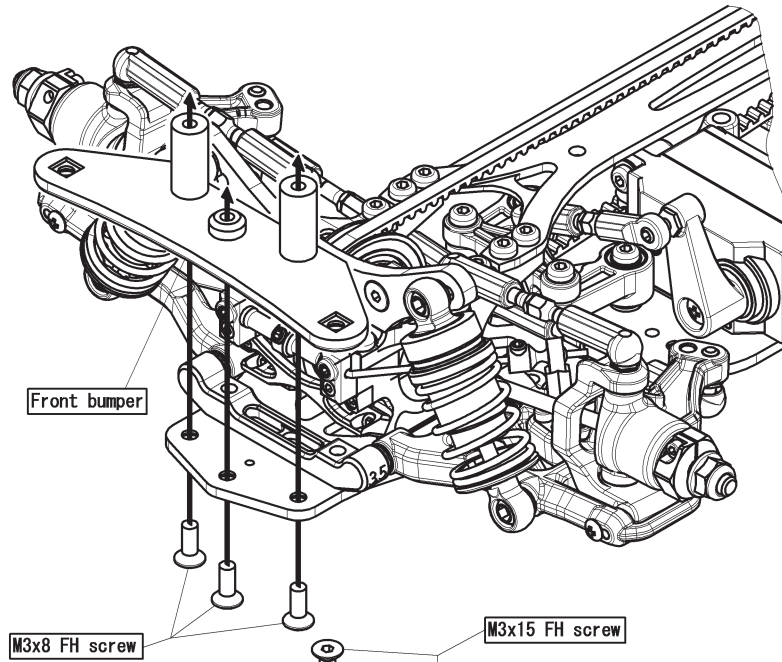
 --x8   
  --x4  
 Body clips    Body mount

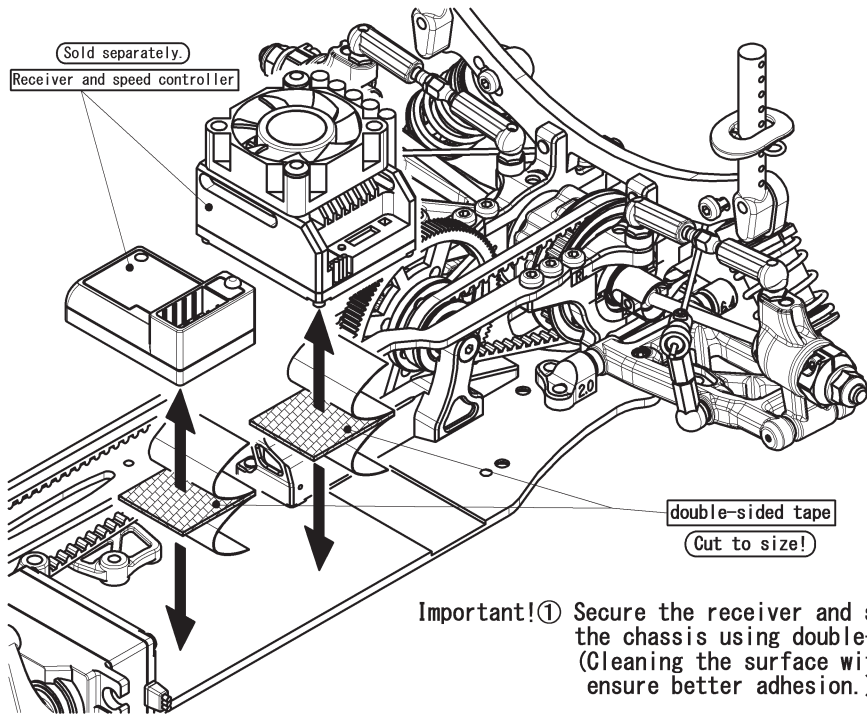
 --x2    Front body post

 --x2    Rear body post

 --x1    Front bumper

 --x1    Front bumper support





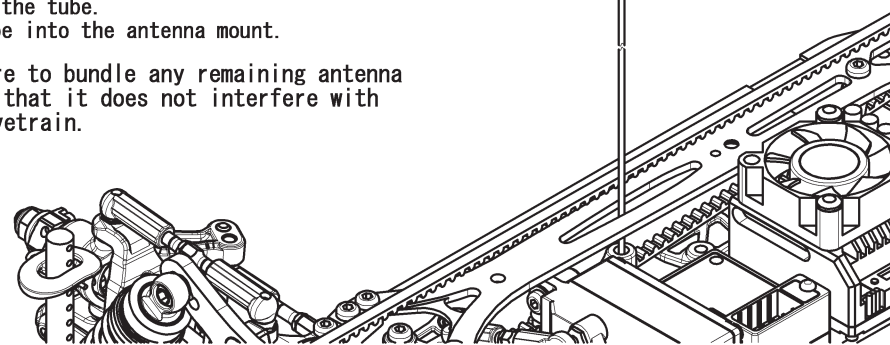
Important! ① Secure the receiver and speed controller to the chassis using double-sided tape. (Cleaning the surface with motor spray will ensure better adhesion.)

Please cut the case where a tube is long.

Antenna tube

Slide the antenna wire through the bottom of the antenna mount and insert into the antenna tube. Leave about 1cm of wire at the top of the tube. Insert the antenna tube into the antenna mount.

Important! ② Make sure to bundle any remaining antenna wire so that it does not interfere with the drivetrain.

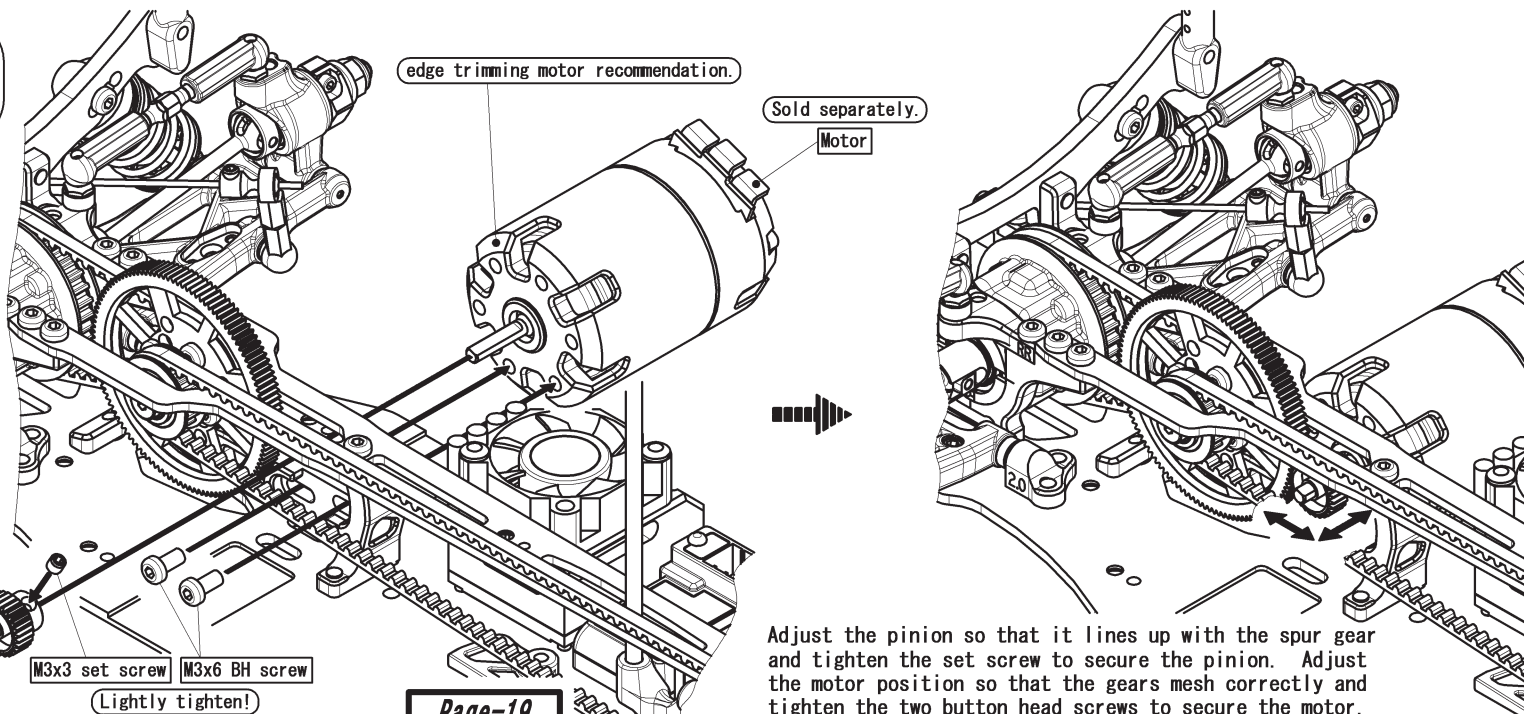


### Remaining parts from [ Bag-15 Contents ]

 --x2 3x6mm button head screw

Important!

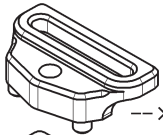
- ③ Motor and pinion gear not included in kit. Please purchase separately.
- ④ Install the pinion so that the set screw is tightened onto the flat portion of the motor shaft.
- ⑤ Adjust the gear mesh to allow a very small gap between the teeth of the pinion and spur gear. (improper adjustment of the pinion and spur may result in damage to the gears.)
- ⑥ Continuous running of the motor will result in shorter motor life. Allow the motor to cool between runs.




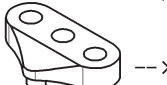
**[ Bag-16 Contents ]**

 --x2 3x5mm flat head screw

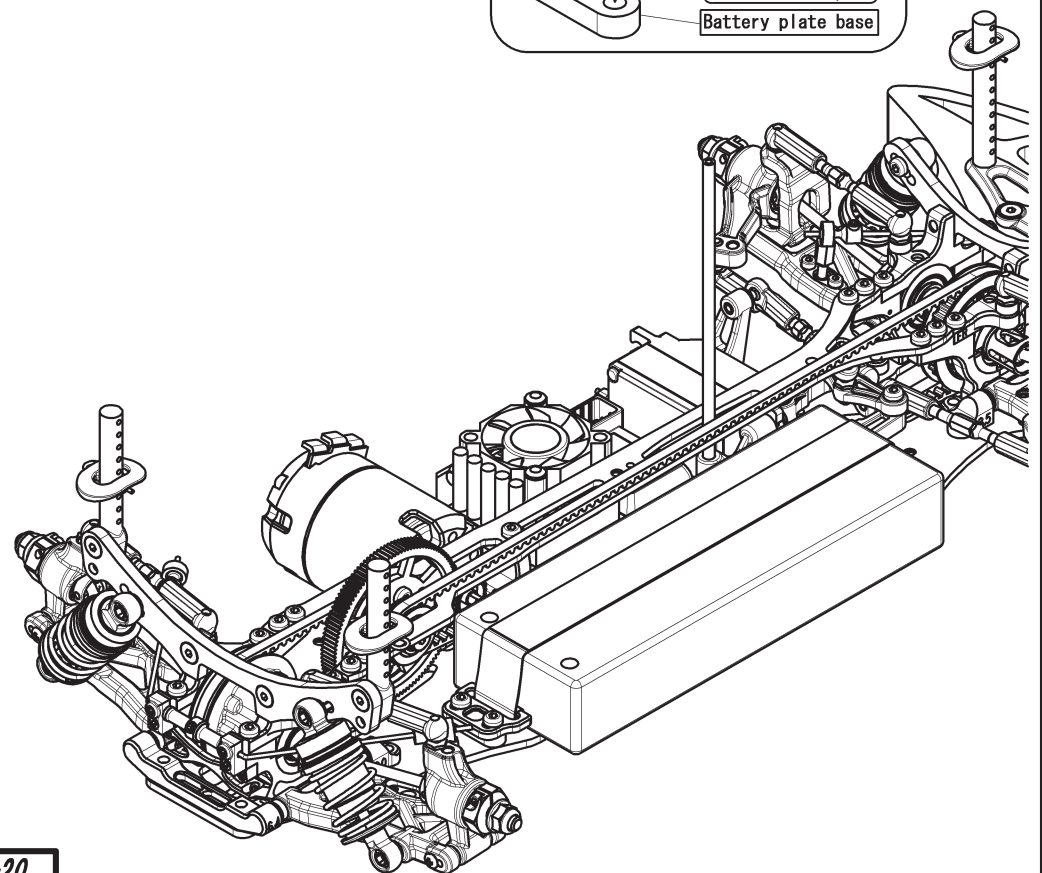
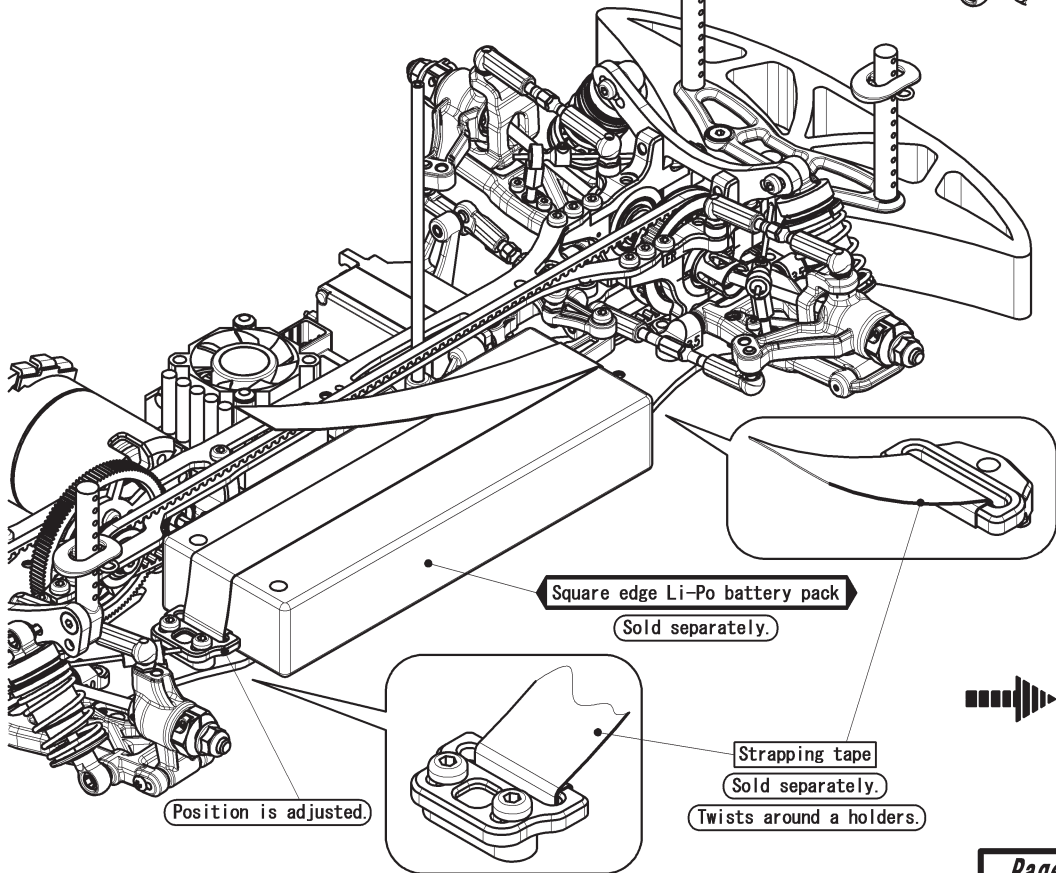
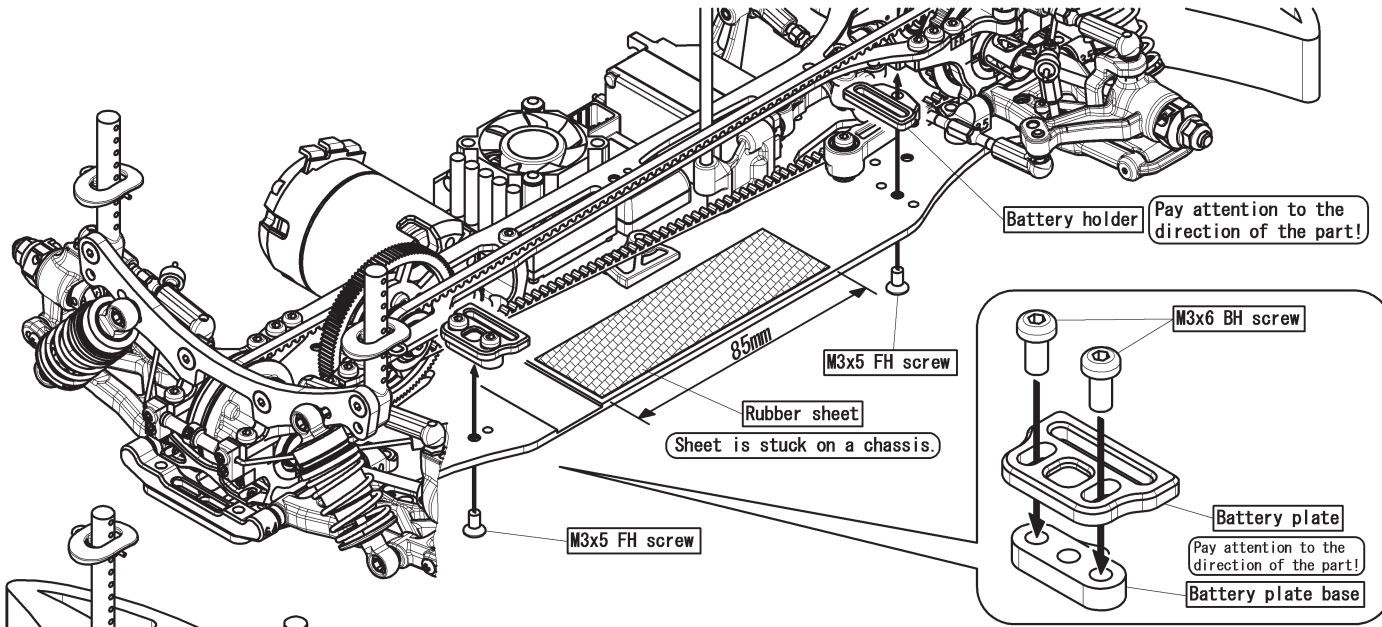
 --x2 3x6mm button head screw

 --x1 Battery holder

 --x1 Battery plate

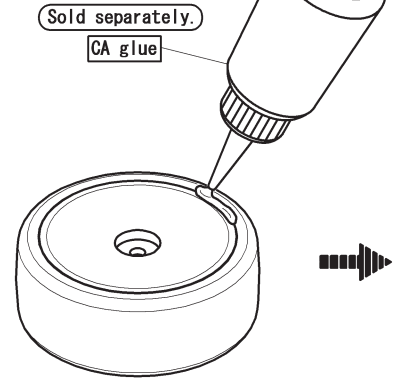
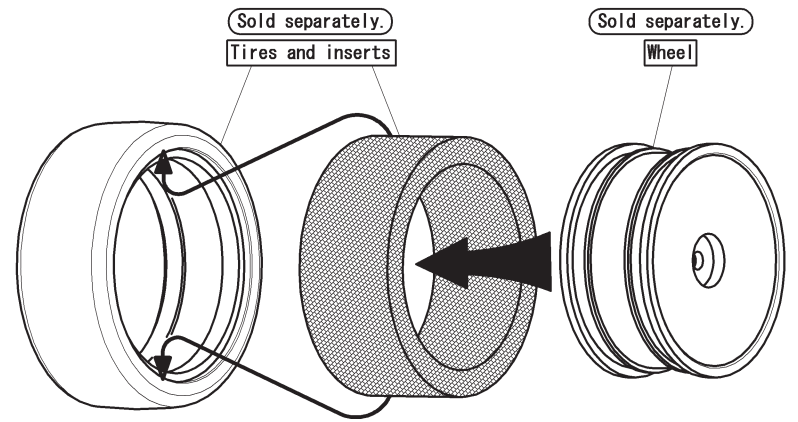
 --x1 Battery plate base

**Also included: Rubber sheet x1**

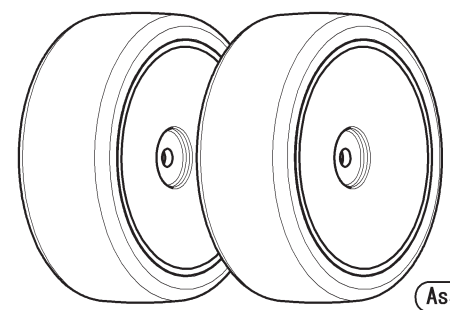


### Tire Assembly

Place the insert into the tire, and mount the tire onto the wheel.  
(Wheels and tires and inserts sold separately.)



Pull the sidewall of the tire slightly away from the rim and apply CA (Cyanoacrylate) glue in between the tire bead and rim. Make sure that the bead settles onto the rim properly after each application. Slowly work your way around the tire. Allow glue to dry, then repeat on other side.



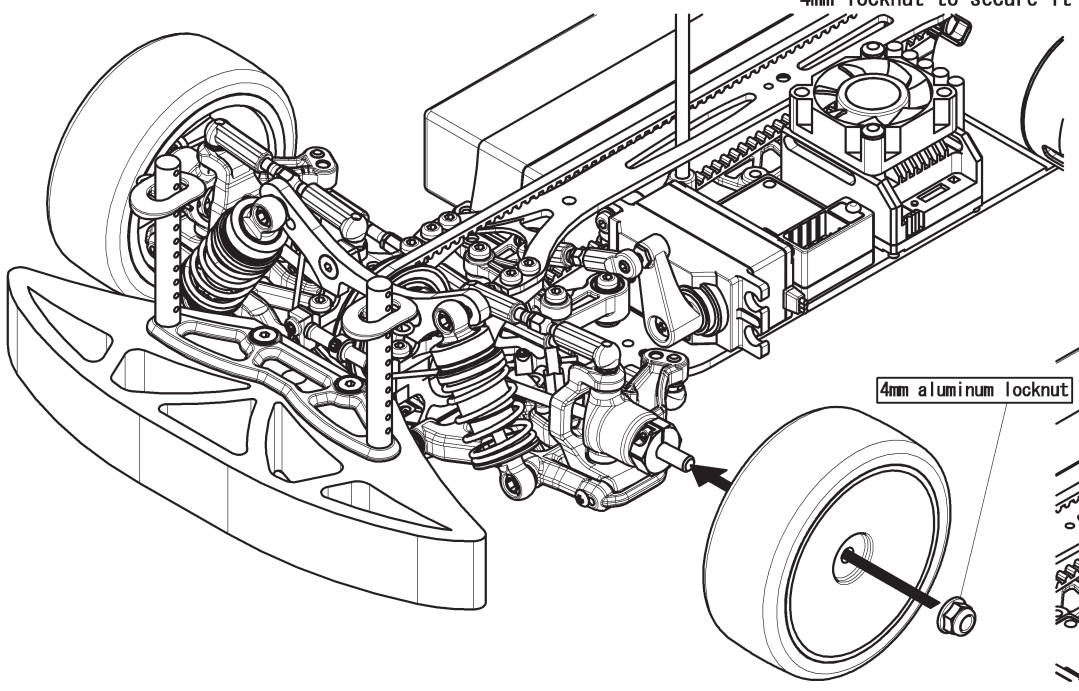
Assemble 4 sets

FRONT

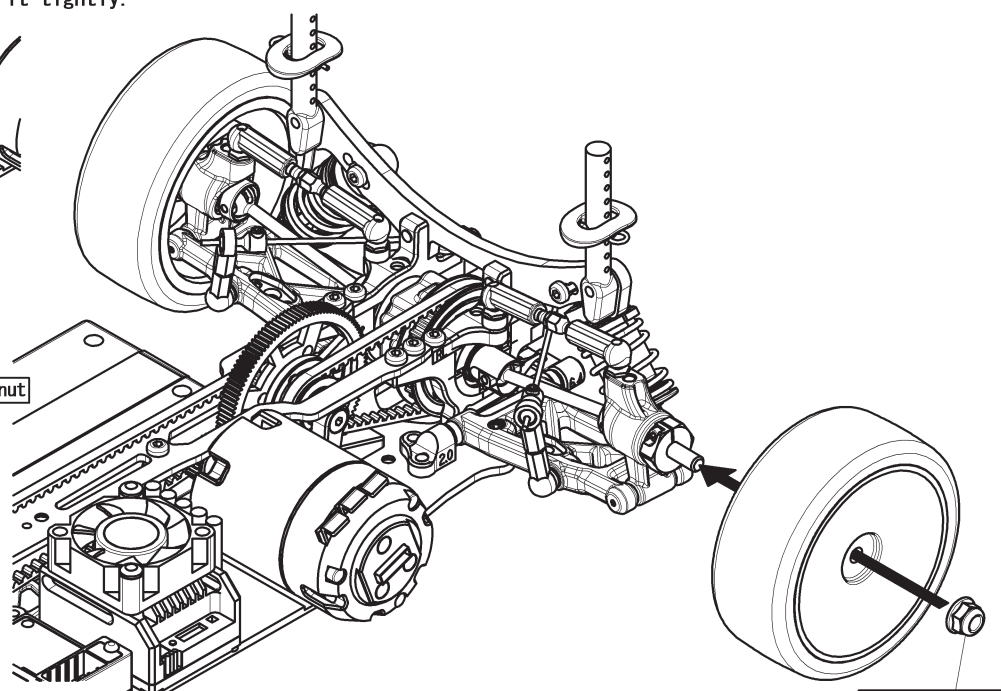
**【 Repeat for the opposite side. 】**

Remove the previously installed 4mm locknut.  
Mount the wheel onto the wheel hub and use the 4mm locknut to secure it tightly.

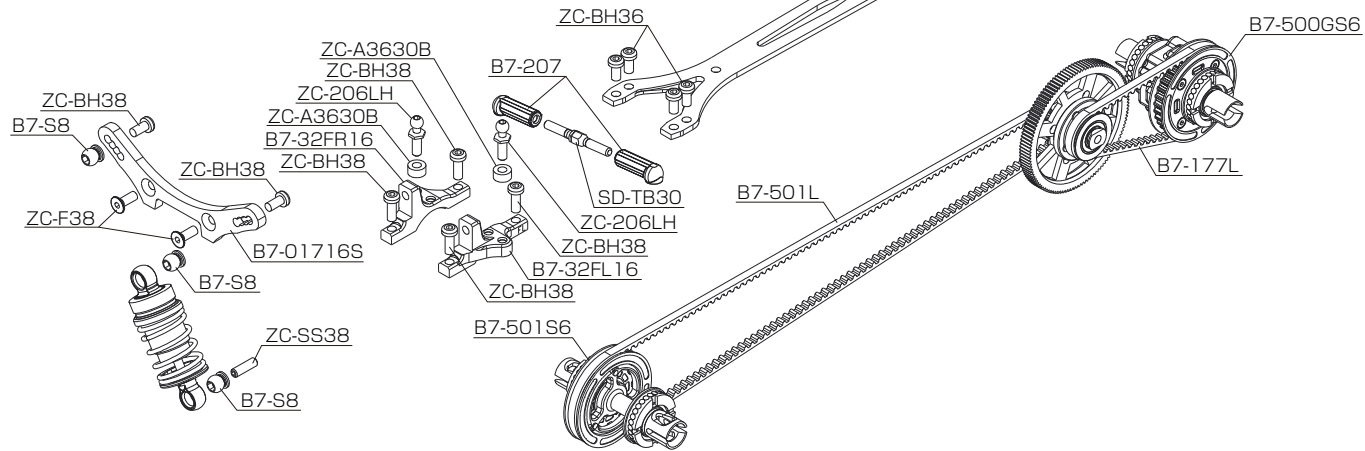
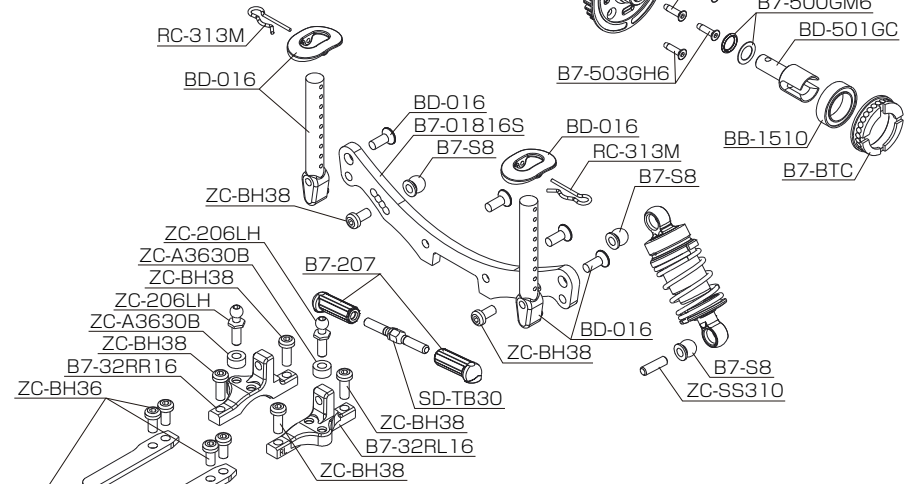
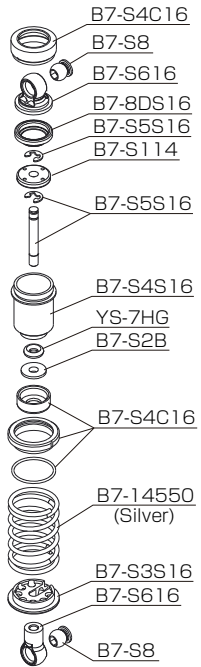
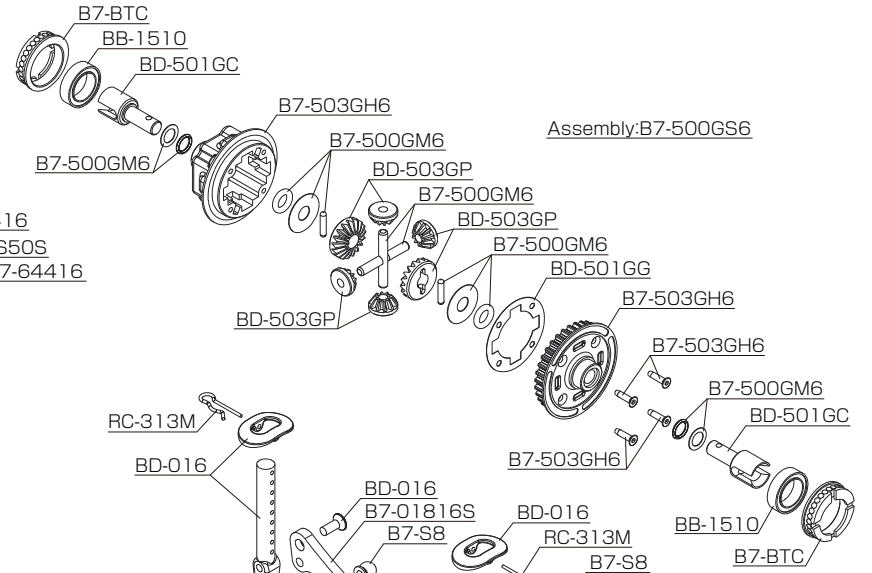
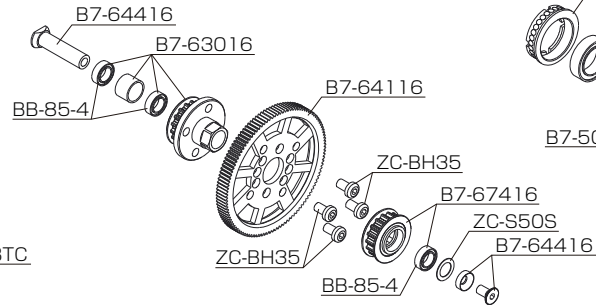
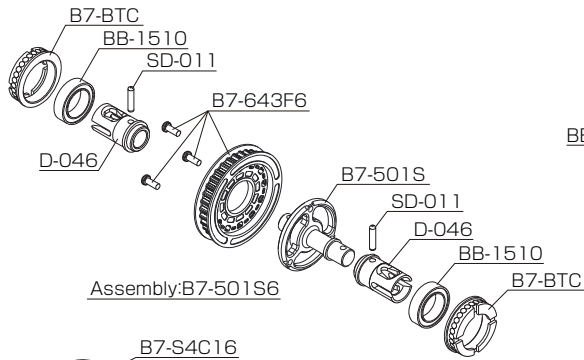
REAR

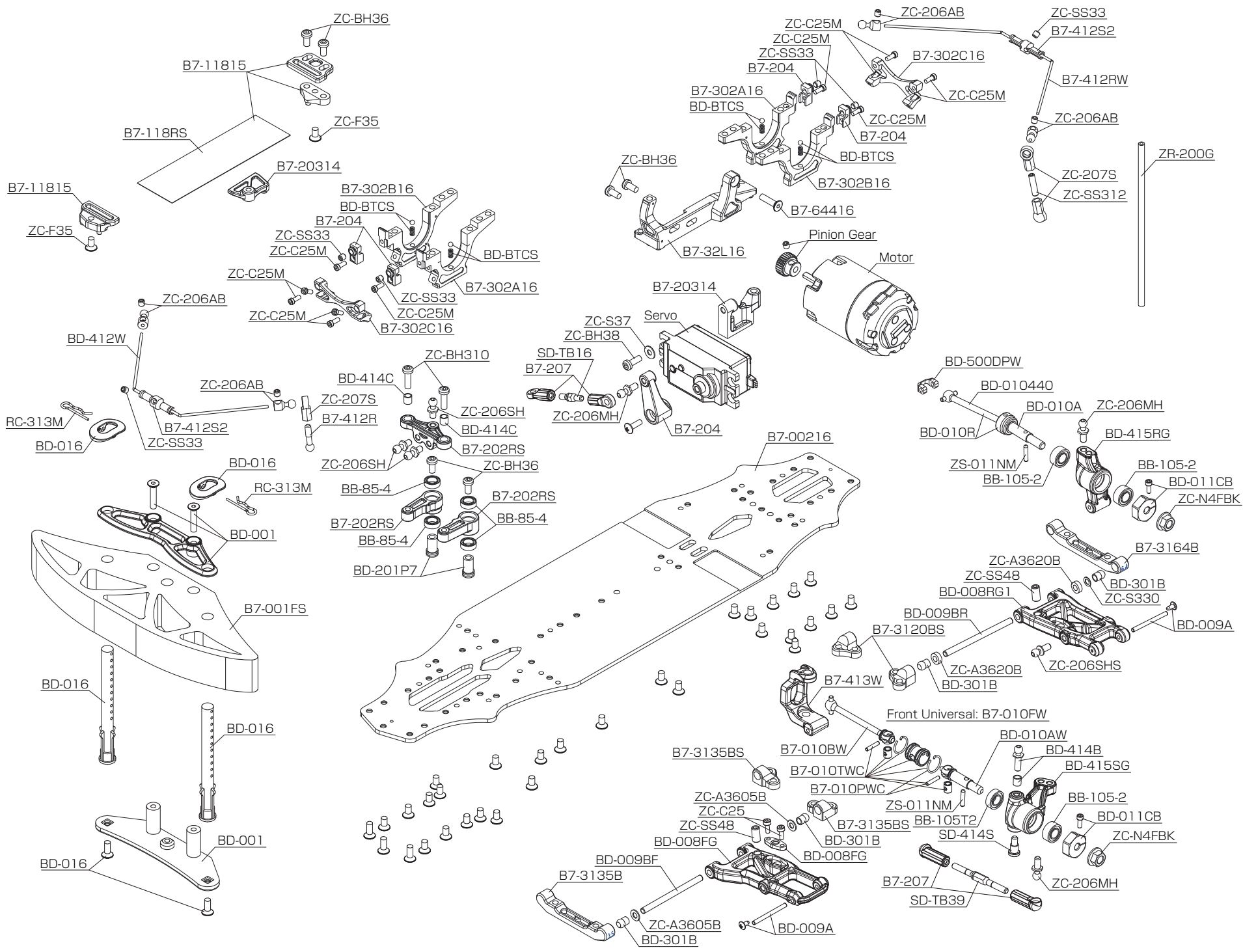


4mm aluminum locknut



4mm aluminum locknut





# BOJO 2016

## SETTING SHEET

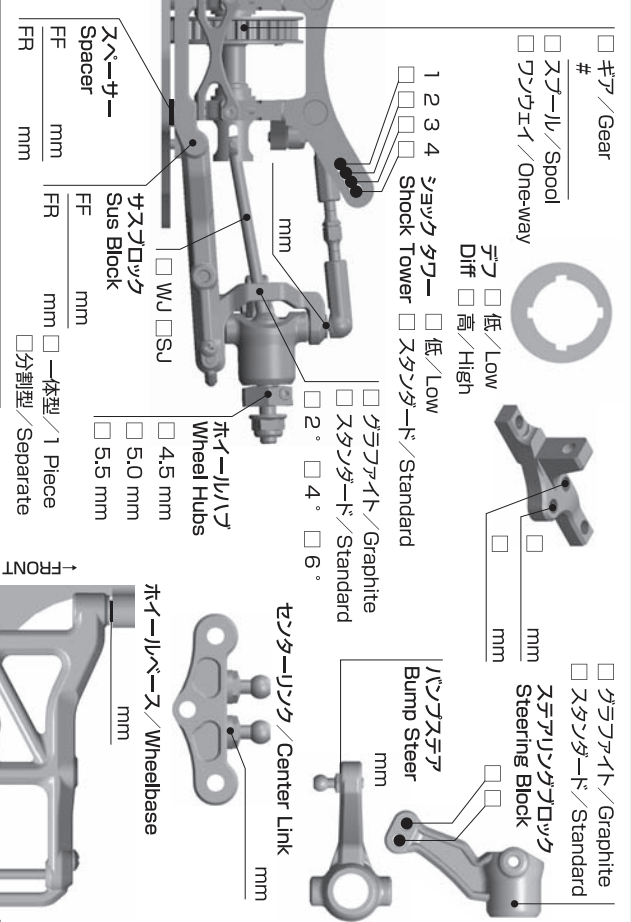
DRIVER

DATE

### CIRCUIT

- 環境 / Place  インドア / Indoor  アウトドア / Outdoor
- 路面 / Track  アスファルト / Asphalt  カーペット / Carpet
- グリップ / Traction  高い / High  普通 / Medium  低い / Low
- 路面状況 / Track situation  フラット / Flat  ハンディー / Bump

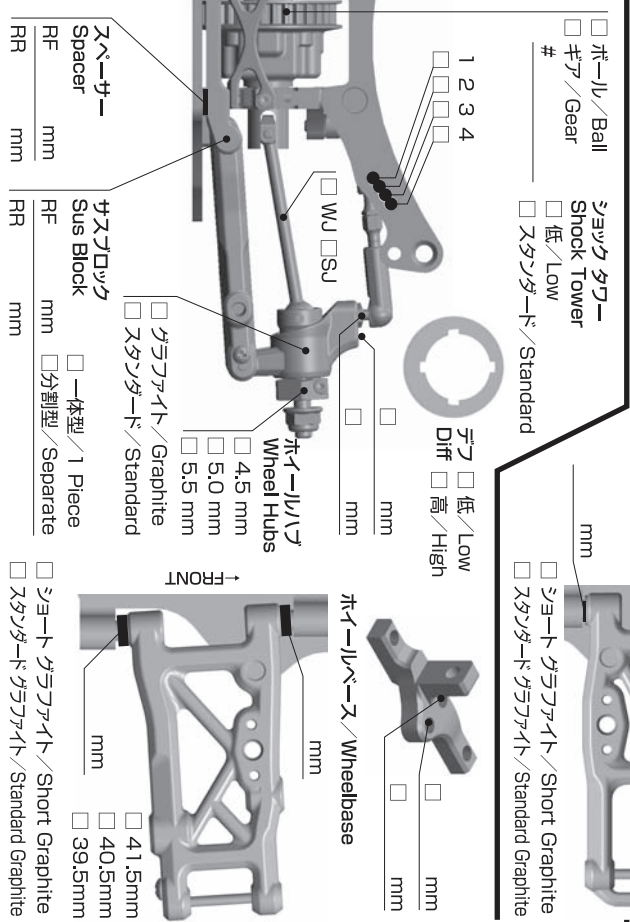
## FRONT



車高 Ride Height	mm
キャンバ Camber Angle	°
キャスター Caster Angle	2° 4° 6°
スワビ / Sway Bar	1.0 1.1 1.2 1.3 1.4 1.5 1.6
トルジョ / Droop	mm
トール角 Toe Angle	mm
メモ / Notes	

ショック / shock absorber	
ノール / Normal	
ショート / Short	
オイル / Oil	
ピストン / Piston	1 2 3 4 穴 / Holes mm
スプリング / Spring	
ブラダ / Bladder	
エアレーション / Aeration	
リング / O-ring	1 2 個
リバウンド / Rebound	%

## REAR

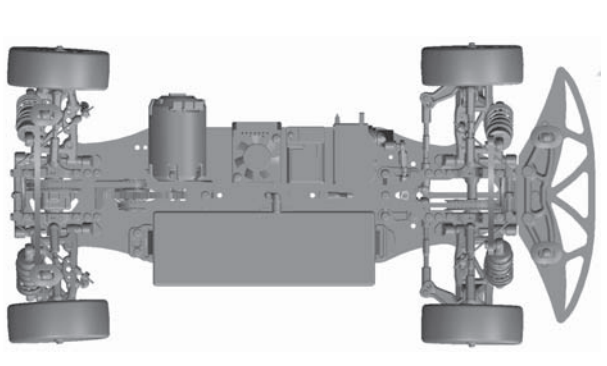


車高 Ride Height	mm
キャンバ Camber Angle	°
スワビ / Sway Bar	1.0 1.1 1.2 1.3 1.4 1.5 1.6
トルジョ / Droop	mm
トール角 Toe Angle	mm
メモ / Notes	

ショック / shock absorber	
ノール / Normal	
ショート / Short	
オイル / Oil	
ピストン / Piston	1 2 3 4 穴 / Holes mm
スプリング / Spring	
ブラダ / Bladder	
エアレーション / Aeration	
リング / O-ring	1 2 個
リバウンド / Rebound	%

## OTHER

メインシャーシ Main Chassis	<input type="checkbox"/> カーボン / Carbon Graphite <input type="checkbox"/> アルミ / Aluminum
モーター Motor	
スパーギア Spur Gear	枚 ( ピッチ / pitch)
ピニオンギア Pinion Gear	枚 ( ピッチ / pitch)
ボディ Body	
ウイング Wing	
バッテリー Battery	
フック ESC	



FRONT	
タイヤ / Tire	
インサート / Insert	
ホイール / Wheel	
トラクション / Tire Treatment	
メモ / Notes	

REAR	
タイヤ / Tire	
インサート / Insert	
ホイール / Wheel	
トラクション / Tire Treatment	
メモ / Notes	



<BD7 2016 GEAR RATIO (48pitch)>

2nd RATIO																								
2.000		65	66	67	68	69	70	71	72	73	74	75	76	77	78	79	80	81	82	83	84	85	86	87
18	7.222	7.333	7.444	7.556	7.667	7.778	7.889	8.000	8.111	8.222	8.333	8.444	8.556	8.667	8.778	8.889	9.000	9.111	9.222	9.333	9.444	9.556	9.667	
19	6.842	6.947	7.053	7.158	7.263	7.368	7.474	7.579	7.684	7.789	7.895	8.000	8.105	8.211	8.316	8.421	8.526	8.632	8.737	8.842	8.947	9.053	9.158	
20	6.500	6.600	6.700	6.800	6.900	7.000	7.100	7.200	7.300	7.400	7.500	7.600	7.700	7.800	7.900	8.000	8.100	8.200	8.300	8.400	8.500	8.600	8.700	
21	6.190	6.286	6.381	6.476	6.571	6.667	6.762	6.857	6.952	7.048	7.143	7.238	7.333	7.429	7.524	7.619	7.714	7.810	7.905	8.000	8.095	8.190	8.286	
22	5.909	6.000	6.091	6.182	6.273	6.364	6.455	6.545	6.636	6.727	6.818	6.909	7.000	7.091	7.182	7.273	7.364	7.455	7.545	7.636	7.727	7.818	7.909	
23	5.652	5.739	5.826	5.913	6.000	6.087	6.174	6.261	6.348	6.435	6.522	6.609	6.696	6.783	6.870	6.957	7.043	7.130	7.217	7.304	7.391	7.478	7.565	
24	5.417	5.500	5.583	5.667	5.750	5.833	5.917	6.000	6.083	6.167	6.250	6.333	6.417	6.500	6.583	6.667	6.750	6.833	6.917	7.000	7.083	7.167	7.250	
25	5.200	5.280	5.360	5.440	5.520	5.600	5.680	5.760	5.840	5.920	6.000	6.080	6.160	6.240	6.320	6.400	6.480	6.560	6.640	6.720	6.800	6.880	6.960	
26	5.000	5.077	5.154	5.231	5.308	5.385	5.462	5.538	5.615	5.692	5.769	5.846	5.923	6.000	6.077	6.154	6.231	6.308	6.385	6.462	6.538	6.615	6.692	
27	4.815	4.889	4.963	5.037	5.111	5.185	5.259	5.333	5.407	5.481	5.556	5.630	5.704	5.778	5.852	5.926	6.000	6.074	6.148	6.222	6.296	6.370	6.444	
28	4.643	4.714	4.786	4.857	4.929	5.000	5.071	5.143	5.214	5.286	5.357	5.429	5.500	5.571	5.643	5.714	5.786	5.857	5.929	6.000	6.071	6.143	6.214	
29	4.483	4.552	4.621	4.690	4.759	4.828	4.897	4.966	5.034	5.103	5.172	5.241	5.310	5.379	5.448	5.517	5.586	5.655	5.724	5.793	5.862	5.931	6.000	
30	4.333	4.400	4.467	4.533	4.600	4.667	4.733	4.800	4.867	4.933	5.000	5.067	5.133	5.200	5.267	5.333	5.400	5.467	5.533	5.600	5.667	5.733	5.800	
31	4.194	4.258	4.323	4.387	4.452	4.516	4.581	4.645	4.710	4.774	4.839	4.903	4.968	5.032	5.097	5.161	5.226	5.290	5.355	5.419	5.484	5.548	5.613	
32	4.063	4.125	4.188	4.250	4.313	4.375	4.438	4.500	4.563	4.625	4.688	4.750	4.813	4.875	4.938	5.000	5.063	5.125	5.188	5.250	5.313	5.375	5.438	
33	3.939	4.000	4.061	4.121	4.182	4.242	4.303	4.364	4.424	4.485	4.545	4.606	4.667	4.727	4.788	4.848	4.909	4.970	5.030	5.091	5.152	5.212	5.273	
34	3.824	3.882	3.941	4.000	4.059	4.118	4.176	4.235	4.294	4.353	4.412	4.471	4.529	4.588	4.647	4.706	4.765	4.824	4.882	4.941	5.000	5.059	5.118	
35	3.714	3.771	3.829	3.886	3.943	4.000	4.057	4.114	4.171	4.229	4.286	4.343	4.400	4.457	4.514	4.571	4.629	4.686	4.743	4.800	4.857	4.914	4.971	
36	3.611	3.667	3.722	3.778	3.833	3.889	3.944	4.000	4.056	4.111	4.167	4.222	4.278	4.333	4.389	4.444	4.500	4.556	4.611	4.667	4.722	4.778	4.833	
37	3.514	3.568	3.622	3.676	3.730	3.784	3.838	3.892	3.946	4.000	4.054	4.108	4.162	4.216	4.270	4.324	4.378	4.432	4.486	4.541	4.595	4.649	4.703	
38	3.421	3.474	3.526	3.579	3.632	3.684	3.737	3.789	3.842	3.895	3.947	4.000	4.053	4.105	4.158	4.211	4.263	4.316	4.368	4.421	4.474	4.526	4.579	
39	3.333	3.385	3.436	3.487	3.538	3.590	3.641	3.692	3.744	3.795	3.846	3.897	3.949	4.000	4.051	4.103	4.154	4.205	4.256	4.308	4.359	4.410	4.462	
40	3.250	3.300	3.350	3.400	3.450	3.500	3.550	3.600	3.650	3.700	3.750	3.800	3.850	3.900	3.950	4.000	4.050	4.100	4.150	4.200	4.250	4.300	4.350	

※使用するギヤやモーターの形状により、アッパーデッキとの干渉が異なりますので上記表とは使用範囲が異なる場合があります。

<BD7 2016 GEAR RATIO (64pitch)>

2nd RATIO																					
2,000	75	76	77	78	79	80	81	82	83	84	85	86	87	88	89	90	91	92	93	94	95
23	6.522	6.609	6.696	6.783	6.870	6.957	7.043	7.130	7.217	7.304	7.391	7.478	7.565	7.652	7.739	7.826	7.913	8.000	8.087	8.174	8.261
24	6.250	6.333	6.417	6.500	6.583	6.667	6.750	6.833	6.917	7.000	7.083	7.167	7.250	7.333	7.417	7.500	7.583	7.667	7.750	7.833	7.917
25	6.000	6.080	6.160	6.240	6.320	6.400	6.480	6.560	6.640	6.720	6.800	6.880	6.960	7.040	7.120	7.200	7.280	7.360	7.440	7.520	7.600
26	5.769	5.846	5.923	6.000	6.077	6.154	6.231	6.308	6.385	6.462	6.538	6.615	6.692	6.769	6.846	6.923	7.000	7.077	7.154	7.231	7.308
27	5.556	5.630	5.704	5.778	5.852	5.926	6.000	6.074	6.148	6.222	6.296	6.370	6.444	6.519	6.593	6.667	6.741	6.815	6.889	6.963	7.037
28	5.357	5.429	5.500	5.571	5.643	5.714	5.786	5.857	5.929	6.000	6.071	6.143	6.214	6.286	6.357	6.429	6.500	6.571	6.643	6.714	6.786
29	5.172	5.241	5.310	5.379	5.448	5.517	5.586	5.655	5.724	5.793	5.862	5.931	6.000	6.069	6.138	6.207	6.276	6.345	6.414	6.483	6.552
30	5.000	5.067	5.133	5.200	5.267	5.333	5.400	5.467	5.533	5.600	5.667	5.733	5.800	5.867	5.933	6.000	6.067	6.133	6.200	6.267	6.333
31	4.839	4.903	4.968	5.032	5.097	5.161	5.226	5.290	5.355	5.419	5.484	5.548	5.613	5.677	5.742	5.806	5.871	5.935	6.000	6.065	6.129
32	4.688	4.750	4.813	4.875	4.938	5.000	5.063	5.125	5.188	5.250	5.313	5.375	5.438	5.500	5.563	5.625	5.688	5.750	5.813	5.875	5.938
33	4.545	4.606	4.667	4.727	4.788	4.848	4.909	4.970	5.030	5.091	5.152	5.212	5.273	5.333	5.394	5.455	5.515	5.576	5.636	5.697	5.758
34	4.412	4.471	4.529	4.588	4.647	4.706	4.765	4.824	4.882	4.941	5.000	5.059	5.118	5.176	5.235	5.294	5.353	5.412	5.471	5.529	5.588
35	4.286	4.343	4.400	4.457	4.514	4.571	4.629	4.686	4.743	4.800	4.857	4.914	4.971	5.029	5.086	5.143	5.200	5.257	5.314	5.371	5.429
36	4.167	4.222	4.278	4.333	4.389	4.444	4.500	4.556	4.611	4.667	4.722	4.778	4.833	4.889	4.944	5.000	5.056	5.111	5.167	5.222	5.278
37	4.054	4.108	4.162	4.216	4.270	4.324	4.378	4.432	4.486	4.541	4.595	4.649	4.703	4.757	4.811	4.865	4.919	4.973	5.027	5.081	5.135
38	3.947	4.000	4.053	4.105	4.158	4.211	4.263	4.316	4.368	4.421	4.474	4.526	4.579	4.632	4.684	4.737	4.789	4.842	4.895	4.947	5.000
39	3.846	3.897	3.949	4.000	4.051	4.103	4.154	4.205	4.256	4.308	4.359	4.410	4.462	4.513	4.564	4.615	4.667	4.718	4.769	4.821	4.872
40	3.750	3.800	3.850	3.900	3.950	4.000	4.050	4.100	4.150	4.200	4.250	4.300	4.350	4.400	4.450	4.500	4.550	4.600	4.650	4.700	4.750
41	3.659	3.707	3.756	3.805	3.854	3.902	3.951	4.000	4.049	4.098	4.146	4.195	4.244	4.293	4.341	4.390	4.439	4.488	4.537	4.585	4.634
42	3.571	3.619	3.667	3.714	3.762	3.810	3.857	3.905	3.952	4.000	4.048	4.095	4.143	4.190	4.238	4.286	4.333	4.381	4.429	4.476	4.524
43	3.488	3.535	3.581	3.628	3.674	3.721	3.767	3.814	3.860	3.907	3.953	4.000	4.047	4.093	4.140	4.186	4.233	4.279	4.326	4.372	4.419
44	3.409	3.455	3.500	3.545	3.591	3.636	3.682	3.727	3.773	3.818	3.864	3.909	3.955	4.000	4.045	4.091	4.136	4.182	4.227	4.273	4.318
45	3.333	3.378	3.422	3.467	3.511	3.556	3.600	3.644	3.689	3.733	3.778	3.822	3.867	3.911	3.956	4.000	4.044	4.089	4.133	4.178	4.222
46	3.261	3.304	3.348	3.391	3.435	3.478	3.522	3.565	3.609	3.652	3.696	3.739	3.783	3.826	3.870	3.913	3.957	4.000	4.043	4.087	4.130
47	3.191	3.234	3.277	3.319	3.362	3.404	3.447	3.489	3.532	3.574	3.617	3.660	3.702	3.745	3.787	3.830	3.872	3.915	3.957	4.000	4.043
48	3.125	3.167	3.208	3.250	3.292	3.333	3.375	3.417	3.458	3.500	3.542	3.583	3.625	3.667	3.708	3.750	3.792	3.833	3.875	3.917	3.958
49	3.061	3.102	3.143	3.184	3.224	3.265	3.306	3.347	3.388	3.429	3.469	3.510	3.551	3.592	3.633	3.673	3.714	3.755	3.796	3.837	3.878
50	3.000	3.040	3.080	3.120	3.160	3.200	3.240	3.280	3.320	3.360	3.400	3.440	3.480	3.520	3.560	3.600	3.640	3.680	3.720	3.760	3.800
51	2.941	2.980	3.020	3.059	3.098	3.137	3.176	3.216	3.255	3.294	3.333	3.373	3.412	3.451	3.490	3.529	3.569	3.608	3.647	3.686	3.725
52	2.885	2.923	2.962	3.000	3.038	3.077	3.115	3.154	3.192	3.231	3.269	3.308	3.346	3.385	3.423	3.462	3.500	3.538	3.577	3.615	3.654
53	2.830	2.868	2.906	2.943	2.981	3.019	3.057	3.094	3.132	3.170	3.208	3.245	3.283	3.321	3.358	3.396	3.434	3.472	3.509	3.547	3.585
54	2.778	2.815	2.852	2.889	2.926	2.963	3.000	3.037	3.074	3.111	3.148	3.185	3.222	3.259	3.296	3.333	3.370	3.407	3.444	3.481	3.519
55	2.727	2.764	2.800	2.836	2.873	2.909	2.945	2.982	3.018	3.055	3.091	3.127	3.164	3.200	3.236	3.273	3.309	3.345	3.382	3.418	3.455
56	2.679	2.714	2.750	2.786	2.821	2.857	2.893	2.929	2.964	3.000	3.036	3.071	3.107	3.143	3.179	3.214	3.250	3.286	3.321	3.357	3.393
57	2.632	2.667	2.702	2.737	2.772	2.807	2.842	2.877	2.912	2.947	2.982	3.018	3.053	3.088	3.123	3.158	3.193	3.228	3.263	3.298	3.333
58	2.586	2.621	2.655	2.690	2.724	2.759	2.793	2.828	2.862	2.897	2.931	2.966	3.000	3.034	3.069	3.103	3.138	3.172	3.207	3.241	3.276
59	2.542	2.576	2.610	2.644	2.678	2.712	2.746	2.780	2.814	2.847	2.881	2.915	2.949	2.983	3.017	3.051	3.085	3.119	3.153	3.186	3.220
60	2.500	2.533	2.567	2.600	2.633	2.667	2.700	2.733	2.767	2.800	2.833	2.867	2.900	2.933	2.967	3.000	3.033	3.067	3.100	3.133	3.167
61	2.459	2.492	2.525	2.557	2.590	2.623	2.656	2.689	2.721	2.754	2.787	2.820	2.852	2.885	2.918	2.951	2.984	3.016	3.049	3.082	3.115
62	2.419	2.452	2.484	2.516	2.548	2.581	2.613	2.645	2.677	2.710	2.742	2.774	2.806	2.839	2.871	2.903	2.935	2.968	3.000	3.032	3.065
63	2.381	2.413	2.444	2.476	2.508	2.540	2.571	2.603	2.635	2.667	2.698	2.730	2.762	2.794	2.825	2.857	2.889	2.921	2.952	2.984	3.016
64	2.344	2.375	2.406	2.438	2.469	2.500	2.531	2.563	2.594	2.625	2.656	2.688	2.719	2.750	2.781	2.813	2.844	2.875	2.906	2.938	2.969

PNION GEAR

※使用するギヤやモーターの形状により、アッペーデツキとの干渉が異なりますので上記表とは使用範囲が異なる場合があります。

96	97	98	99	100	101	102	103	104	105	106	107	108	109	110	111	112	113	114	115	116	
8348	8435	8522	8609	8696	8783	8870	8957	9043	9130	9217	9304	9391	9478	9565	9652	9739	9826	9913	10000	10087	23
8000	8083	8167	8250	8333	8417	8500	8583	8667	8750	8833	8917	9000	9083	9167	9250	9333	9417	9500	9583	9667	24
7680	7760	7840	7920	8000	8080	8160	8240	8320	8400	8480	8560	8640	8720	8800	8880	8960	9040	9120	9200	9280	25
7385	7462	7538	7615	7692	7769	7846	7923	8000	8077	8154	8231	8308	8385	8462	8538	8615	8692	8769	8846	8923	26
7111	7185	7259	7333	7407	7481	7556	7630	7704	7778	7852	7926	8000	8074	8148	8222	8296	8370	8444	8519	8593	27
6857	6929	7000	7071	7143	7214	7286	7357	7429	7500	7571	7643	7714	7786	7857	7929	8000	8071	8143	8214	8286	28
6621	6690	6759	6828	6897	6966	7034	7103	7172	7241	7310	7379	7448	7517	7586	7655	7724	7793	7862	7931	8000	29
6400	6467	6533	6600	6667	6733	6800	6867	6933	7000	7067	7133	7200	7267	7333	7400	7467	7533	7600	7667	7733	30
6194	6258	6323	6387	6452	6516	6581	6645	6710	6774	6839	6903	6968	7032	7097	7161	7226	7290	7355	7419	7484	31
6000	6063	6125	6188	6250	6313	6375	6438	6500	6563	6625	6688	6750	6813	6875	6938	7000	7063	7125	7188	7250	32
5818	5879	5939	6000	6061	6121	6182	6242	6303	6364	6424	6485	6545	6606	6667	6727	6788	6848	6909	6970	7030	33
5647	5706	5765	5824	5882	5941	6000	6059	6118	6176	6235	6294	6353	6412	6471	6529	6588	6647	6706	6765	6824	34
5486	5543	5600	5657	5714	5771	5829	5886	5943	6000	6057	6114	6171	6229	6286	6343	6400	6457	6514	6571	6629	35
5333	5389	5444	5500	5556	5611	5667	5722	5778	5833	5889	5944	6000	6056	6111	6167	6222	6278	6333	6389	6444	36
5189	5243	5297	5351	5405	5459	5514	5568	5622	5676	5730	5784	5838	5892	5946	6000	6054	6108	6162	6216	6270	37
5053	5105	5158	5211	5263	5316	5368	5421	5474	5526	5579	5632	5684	5737	5789	5842	5895	5947	6000	6053	6105	38
4923	4974	5026	5077	5128	5179	5231	5282	5333	5385	5436	5487	5538	5590	5641	5692	5744	5795	5846	5897	5949	39
4800	4850	4900	4950	5000	5050	5100	5150	5200	5250	5300	5350	5400	5450	5500	5550	5600	5650	5700	5750	5800	40
4683	4732	4780	4829	4878	4927	4976	5024	5073	5122	5171	5220	5268	5317	5366	5415	5463	5512	5561	5610	5659	41
4571	4619	4667	4714	4762	4810	4857	4905	4952	5000	5048	5095	5143	5190	5238	5286	5333	5381	5429	5476	5524	42
4465	4512	4558	4605	4651	4698	4744	4791	4837	4884	4930	4977	5023	5070	5116	5163	5209	5256	5302	5349	5395	43
4364	4409	4455	4500	4545	4591	4636	4682	4727	4773	4818	4864	4909	4955	5000	5045	5091	5136	5182	5227	5273	44
4267	4311	4356	4400	4444	4489	4533	4578	4622	4667	4711	4756	4800	4844	4889	4933	4978	5022	5067	5111	5156	45
4174	4217	4261	4304	4348	4391	4435	4478	4522	4565	4609	4652	4696	4739	4783	4826	4870	4913	4957	5000	5043	46
4085	4128	4170	4213	4255	4298	4340	4383	4426	4468	4511	4553	4596	4638	4681	4723	4766	4809	4851	4894	4936	47
4000	4042	4083	4125	4167	4208	4250	4292	4333	4375	4417	4458	4500	4542	4583	4625	4667	4708	4750	4792	4833	48
3918	3959	4000	4041	4082	4122	4163	4204	4245	4286	4327	4367	4408	4449	4490	4531	4571	4612	4653	4694	4735	49
3840	3880	3920	3960	4000	4040	4080	4120	4160	4200	4240	4280	4320	4360	4400	4440	4480	4520	4560	4600	4640	50
3765	3804	3843	3882	3922	3961	4000	4039	4078	4118	4157	4196	4235	4275	4314	4353	4392	4431	4471	4510	4549	51
3692	3731	3769	3808	3846	3885	3923	3962	4000	4038	4077	4115	4154	4192	4231	4269	4308	4346	4385	4423	4462	52
3623	3660	3698	3736	3774	3811	3849	3887	3925	3962	4000	4038	4075	4113	4151	4189	4226	4264	4302	4340	4377	53
3556	3593	3630	3667	3704	3741	3778	3815	3852	3889	3926	3963	4000	4037	4074	4111	4148	4185	4222	4259	4296	54
3491	3527	3564	3600	3636	3673	3709	3745	3782	3818	3855	3891	3927	3964	4000	4036	4073	4109	4145	4182	4218	55
3429	3464	3500	3536	3571	3607	3643	3679	3714	3750	3786	3821	3857	3893	3929	3964	4000	4036	4071	4107	4143	56
3368	3404	3439	3474	3509	3544	3579	3614	3649	3684	3719	3754	3789	3825	3860	3895	3930	3965	4000	4035	4070	57
3310	3345	3379	3414	3448	3483	3517	3552	3586	3621	3655	3690	3724	3759	3793	3828	3862	3897	3931	3966	4000	58
3254	3288	3322	3356	3390	3424	3458	3492	3525	3559	3593	3627	3661	3695	3729	3763	3797	3831	3864	3898	3932	59
3200	3233	3267	3300	3333	3367	3400	3433	3467	3500	3533	3567	3600	3633	3667	3700	3733	3767	3800	3833	3867	60
3148	3180	3213	3246	3279	3311	3344	3377	3410	3443	3475	3508	3541	3574	3607	3639	3672	3705	3738	3770	3803	61
3097	3129	3161	3194	3226	3258	3290	3323	3355	3387	3419	3452	3484	3516	3548	3581	3613	3645	3677	3710	3742	62
3048	3079	3111	3143	3175	3206	3238	3270	3302	3333	3365	3397	3429	3460	3492	3524	3556	3587	3619	3651	3683	63
3000	3031	3063	3094	3125	3156	3188	3219	3250	3281	3313	3344	3375	3406	3438	3469	3500	3531	3563	3594	3625	64

AS A MANUFACTURER OF WORLD CHAMPIONSHIP WINNING CARS,  
YOKOMO WILL CONTINUE TO PROVIDE THE BEST AVAILABLE TECHNOLOGY TO R/C ENTHUSIASTS ALL OVER THE WORLD.  
ENJOY THIS PRODUCT KNOWING THAT YOU ARE DRIVING ONE OF THE BEST HANDLING R/C CARS EVER DESIGNED.

RC MODEL CARS  
**YOKOMO**  
[www.teamyokomo.com](http://www.teamyokomo.com)

#### 世界のブランド YOKOMO

ヨコモは競技用 R/C カー（ラジオコントロールカー）の専門メーカーです。その製品は、全日本選手権、全米選手権、ヨーロッパ選手権、そして R/C カーレースの最高峰である世界選手権レースでも優勝。世界の R/C カーマニアに愛用されています。