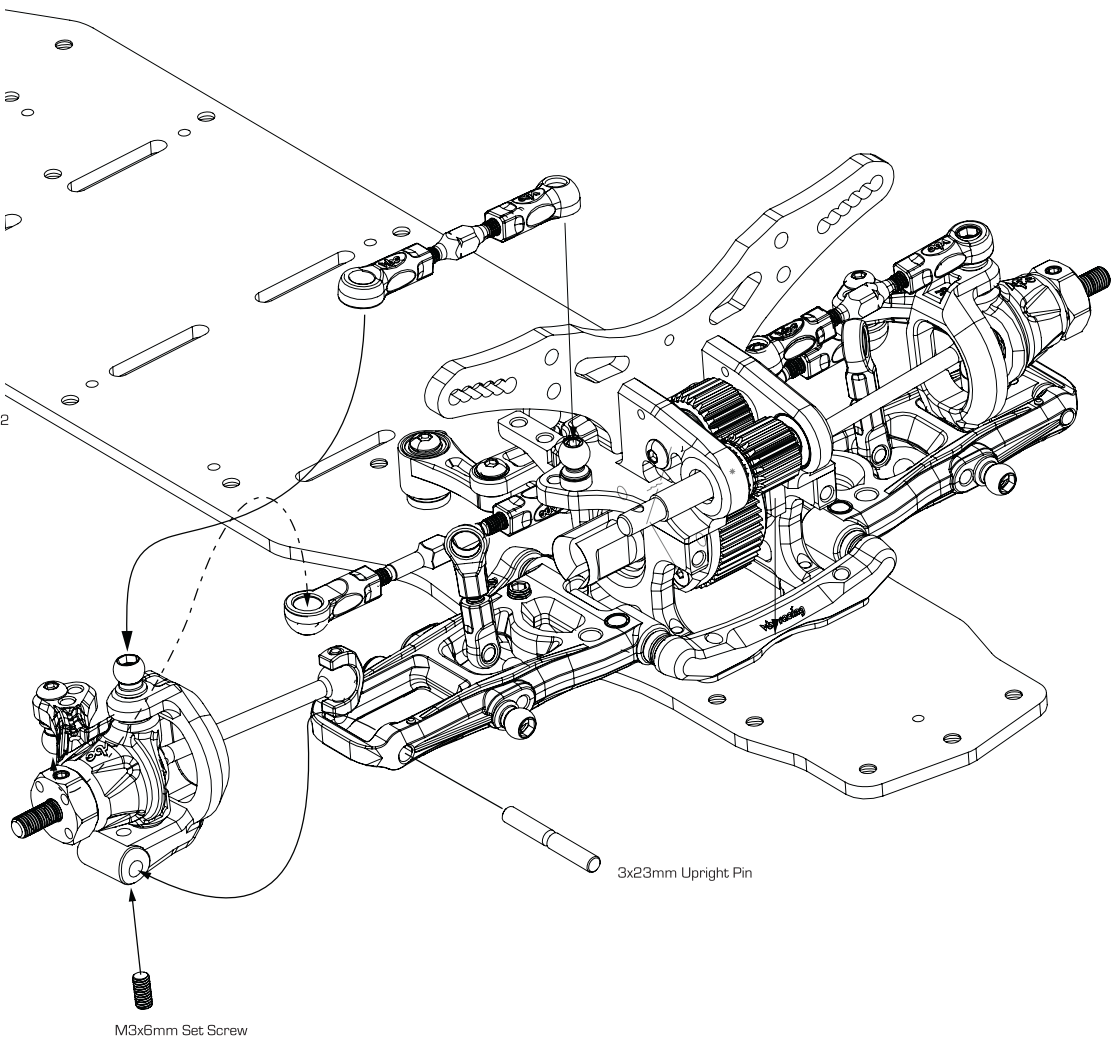
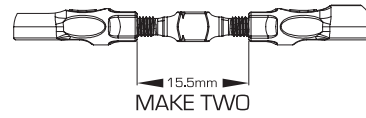
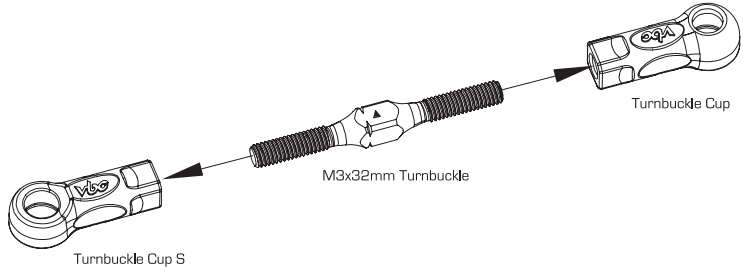
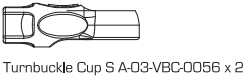
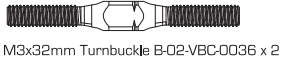


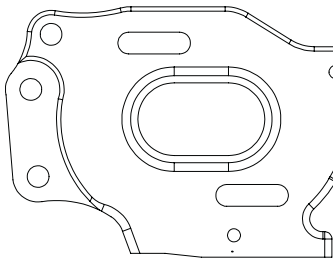
14

Front Suspension Arm Assembly

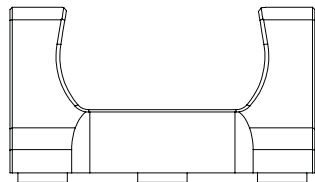


15

Motor Mount Assembly



Motor Mount B-02-VBC-2029 x 1



Alum Front Bumper Mount B-02-VBC-2031 x 1



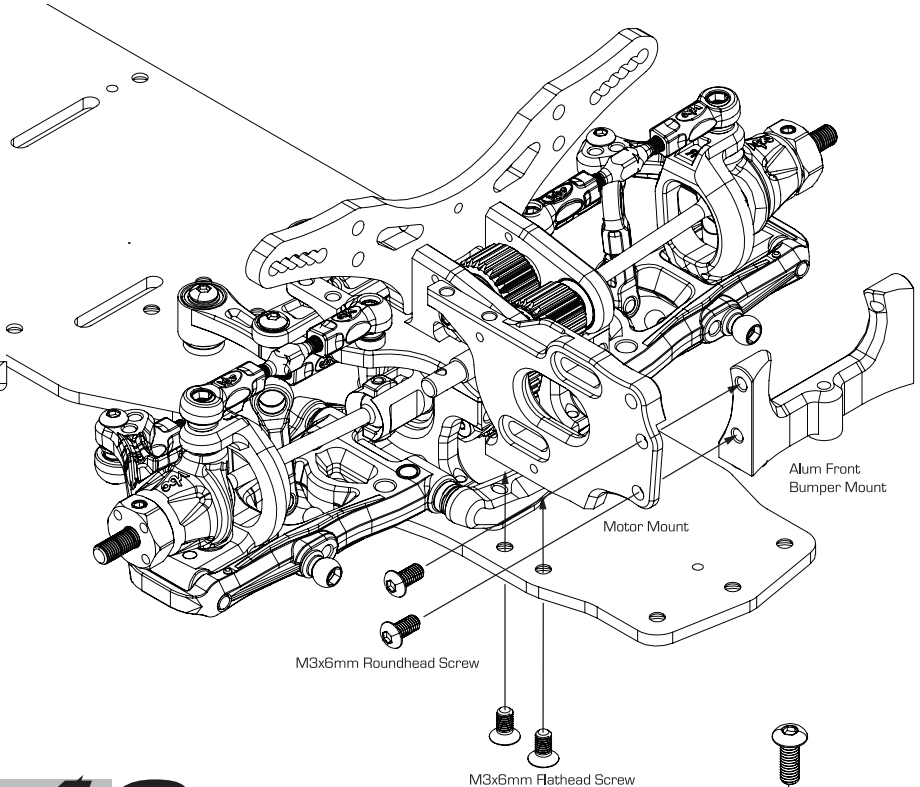
M3x6 Flathead C-02-SC-F0306 x 2



M3x6 Roundhead C-02-SC-R0306 x 2

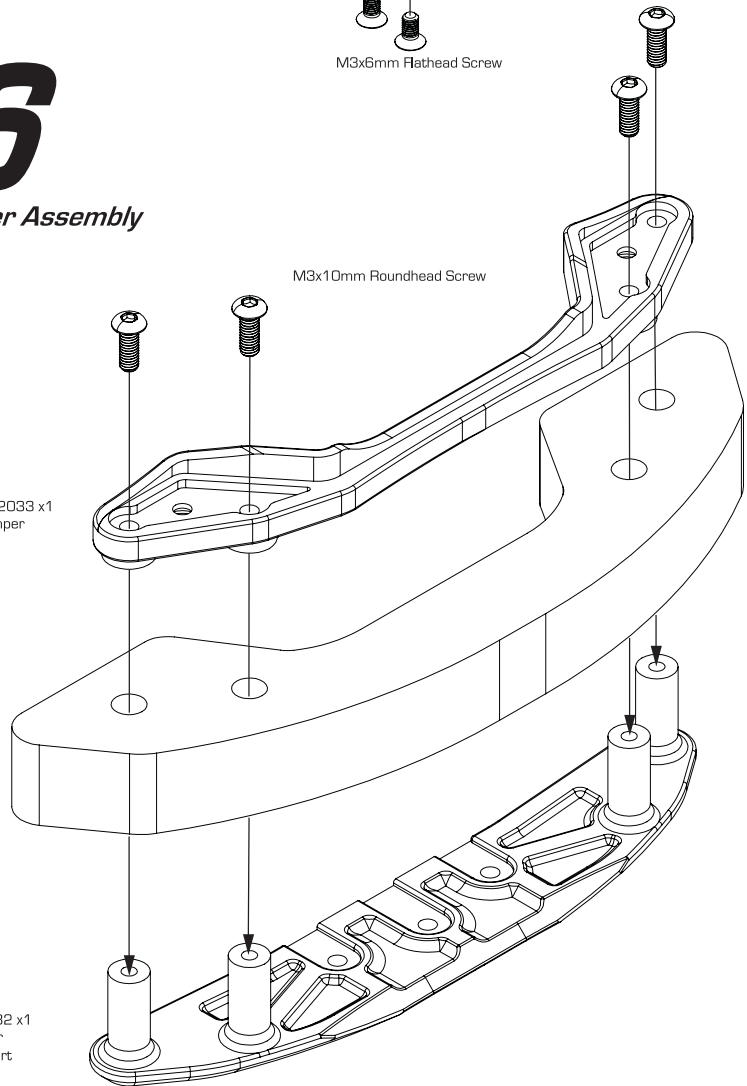


M3x10 Roundhead C-02-SC-R0310 x 4



16

Front Bumper Assembly

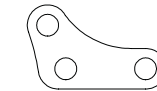


16

Front Bumper Assembly



M3x8 Flathead C-02-SC-F0306 x 3



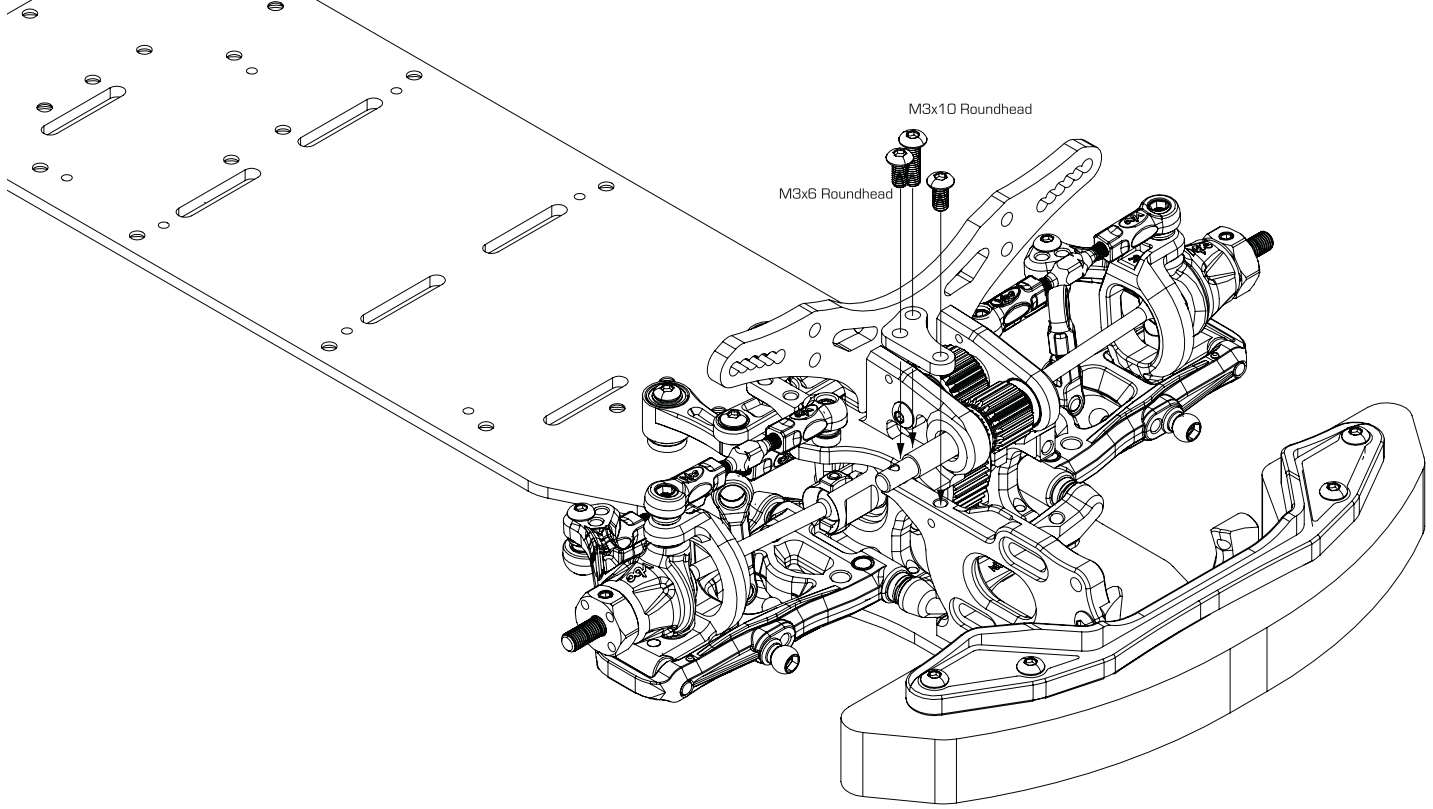
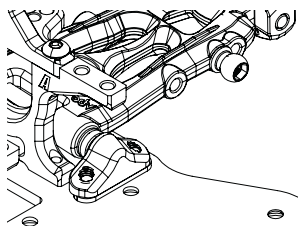
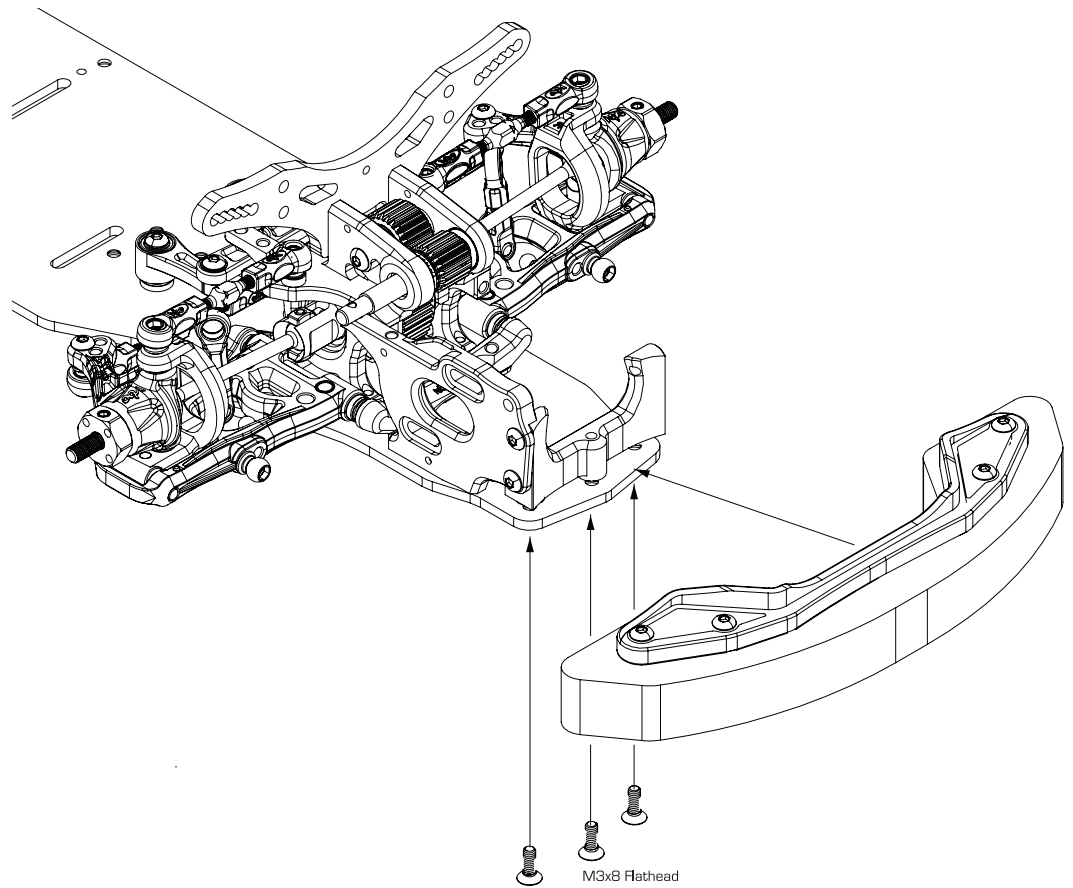
Graphite Motor Mount Support
B-02-VBC-2030 x 1



M3x10 Roundhead C-02-SC-R0310 x 1

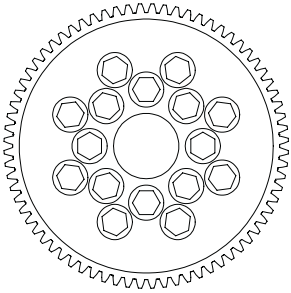


M3x6 Roundhead C-02-SC-R0306 x 2

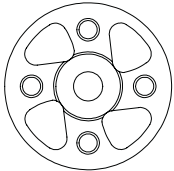


17

Spur Gear Assembly



Kawada 48Pitch Spur Gear 76T
G02-P-20612 x 1



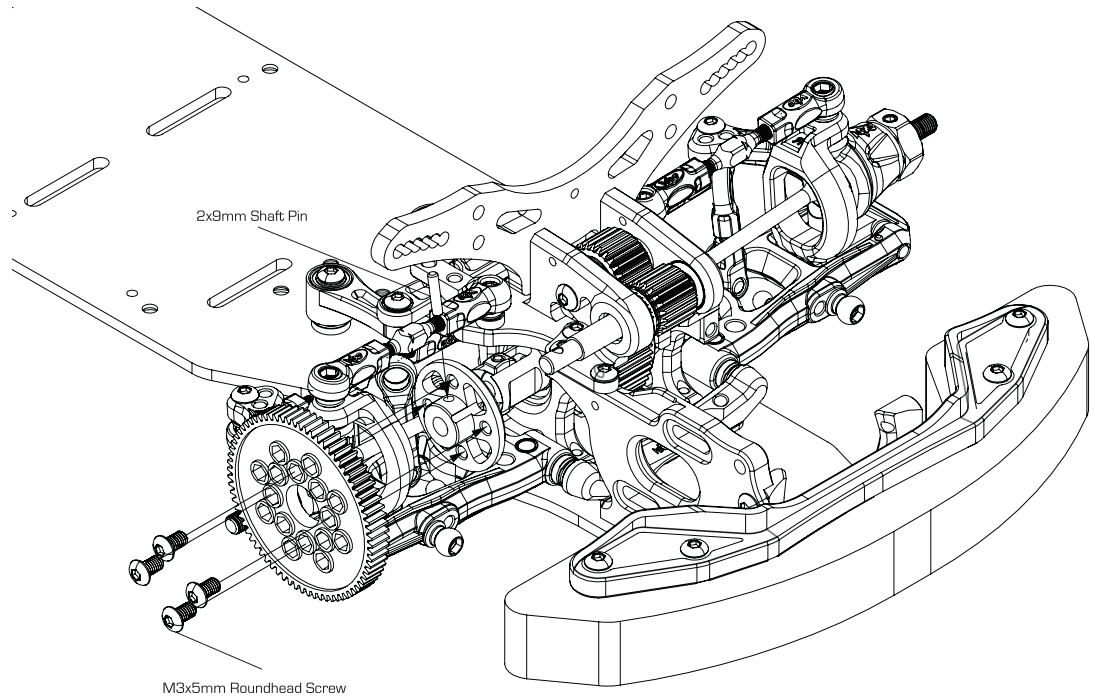
Alum Spur Gear Adaptor B-02-VBC-2037 x 1



2x9mm Shaft Pin B-02-VBC-2038 x 1

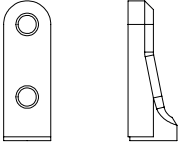


M3x5 Roundhead C-02-SC-R0305 x 4

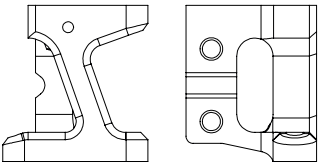


18

Servo Assembly



Alum Servo Mount
B-02-VBC-2042 x 1



Alum Center Servo Mount
B-02-VBC-2041 x 1



M3x8 Roundhead C-02-SC-R0308 x 2



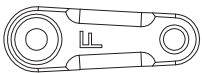
M3x6 Roundhead C-02-SC-R0306 x 2



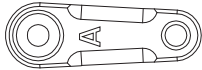
Ball Connector B-02-VBC-0045 x 1



Servo Spacer 1mm A-03-VBC-0032 x 1
Servo Spacer 2mm A-03-VBC-0033 x 1



Servo Horn Type F (Futaba)
A-03-VBC-0053 x 1

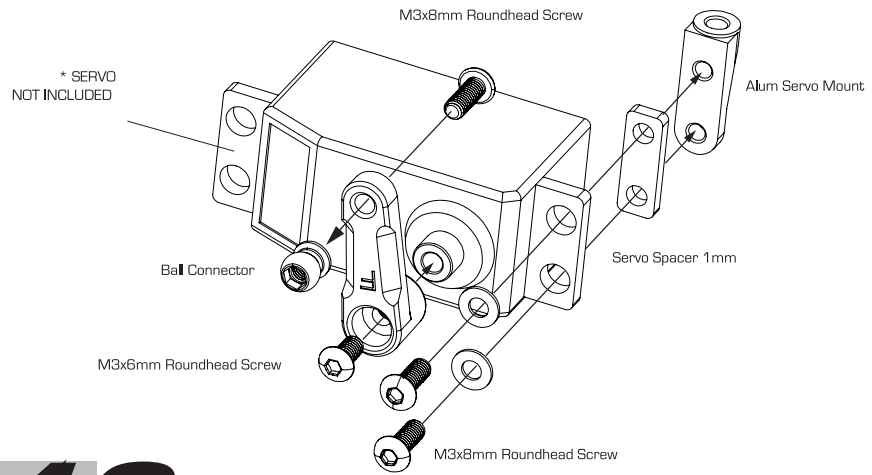


Servo Horn Type A (Sanwa/KO)
A-03-VBC-0054 x 1



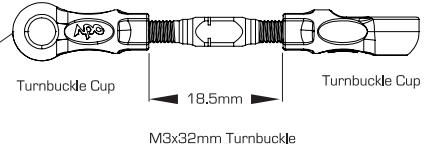
M3x6 Flathead Screw C-02-SC-F0306 x 2

Graphite Servo Mount Plate
A-01-VBC-2043 x 1



19

Servo Linkage Assembly

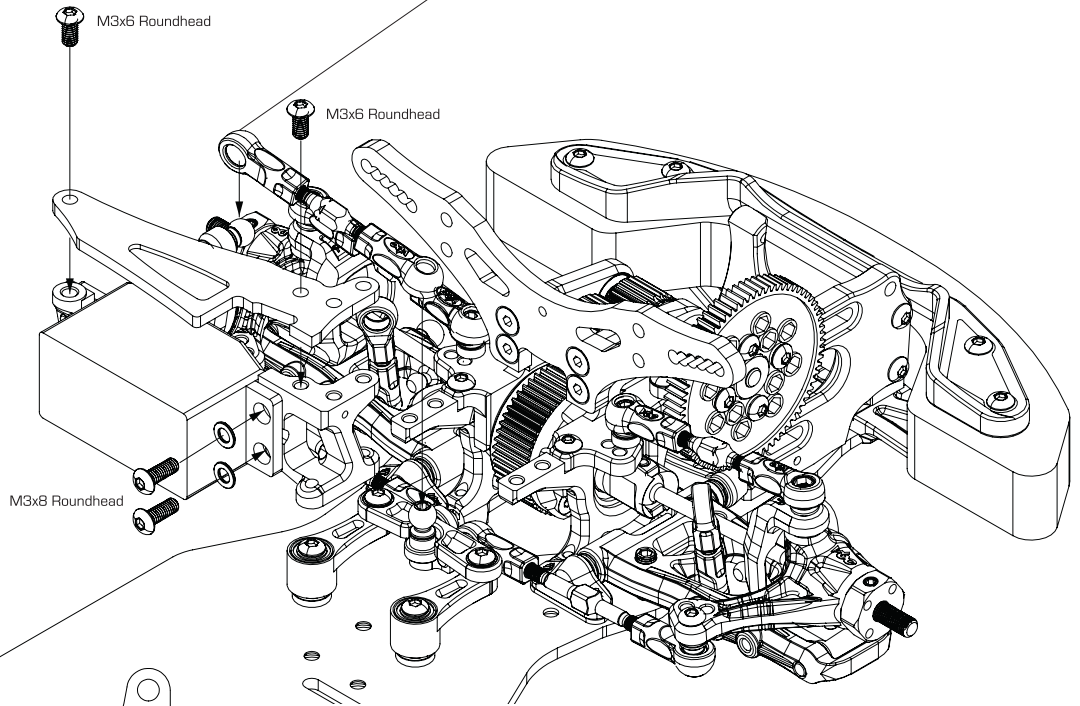


Turnbuckle Cup

18,5mm

Turnbuckle Cup

M3x32mm Turnbuckle



20

Front And Rear Stabilizer Mount Assembly



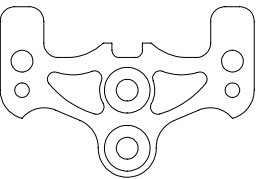
Stabilizer Connector B-02-VBC-0047 x 4




Stabilizer Collar B-02-VBC-2048 x 2



M3x3mm Set Screw C-02-SC-SS-0303 x 8



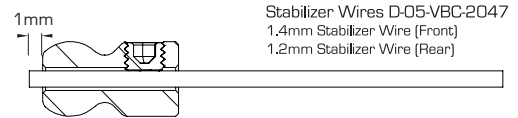
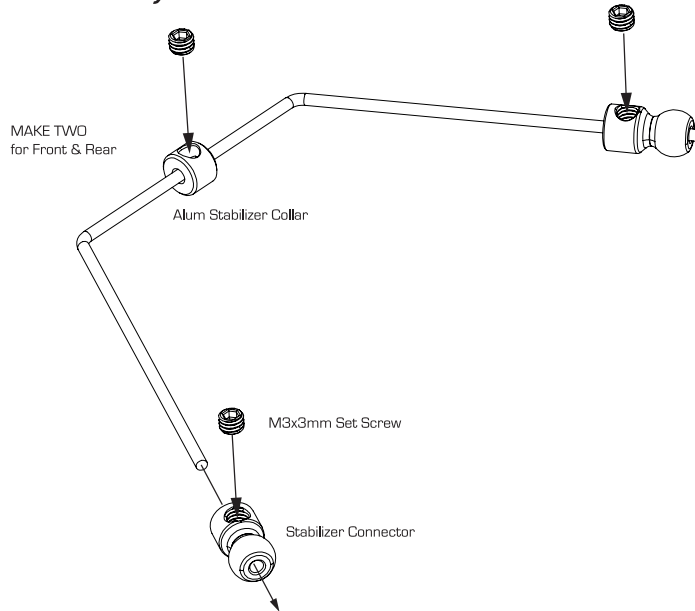
Graphite Stabilizer Mount Plate A-01-VBC-2050 x 1



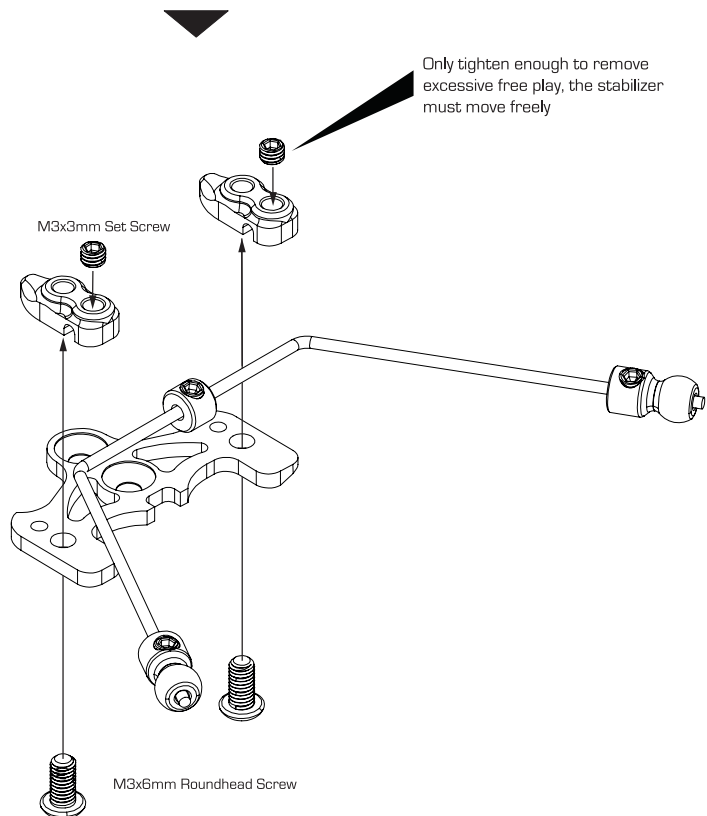
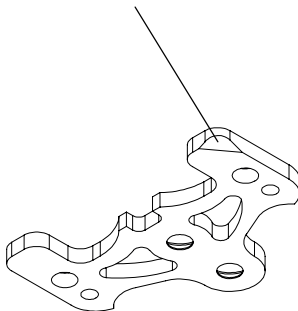
Plastic Front Stabilizer Mount A-03-VBC-2051 x 2



M3x6 Roundhead Screw C-02-SC-R0306 x 2



In order to affect the servo linkage movement, please smooth cut the edge on bottom of plate

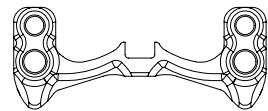


21

Front And Rear Stabilizer Mount Assembly



M3x8 Flathead Screw C-02-SC-F0308 x 2



Plastic Rear Stabilizer Mount
A-03-VBC-2052 x 1



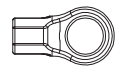
M3x3mm Set Screw C-02-SC-SS-0303 x 2



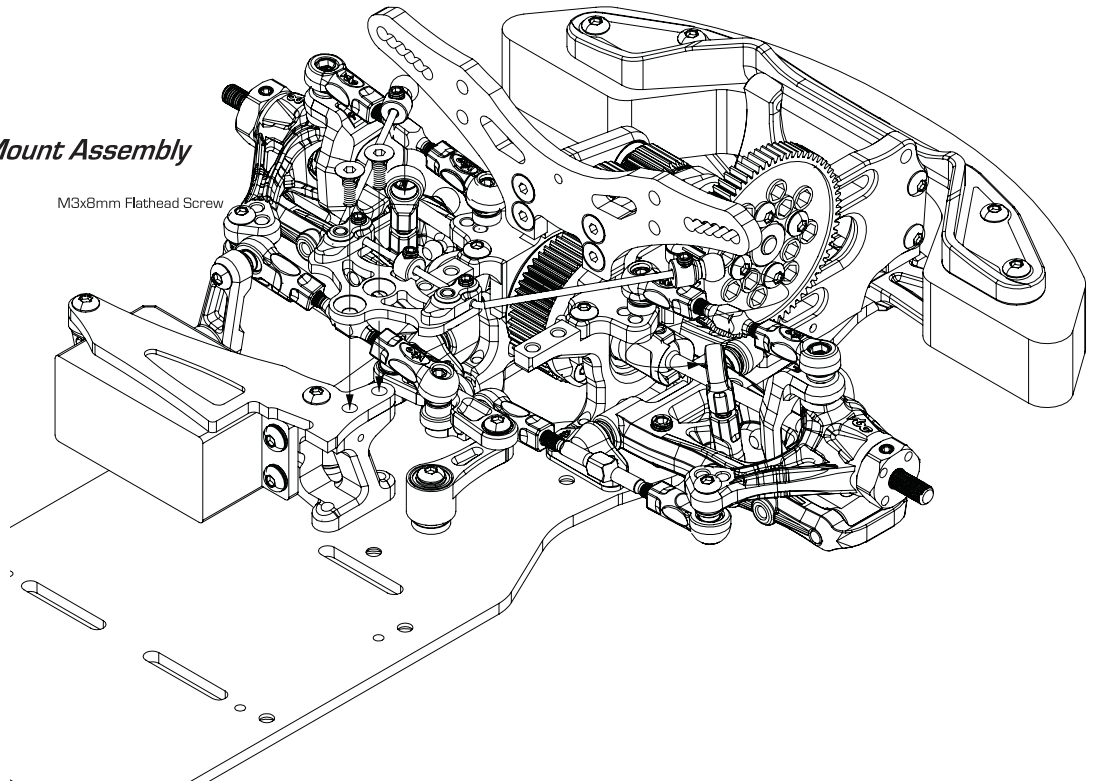
M3x8 Roundhead Screw C-02-SC-R0308 x 2



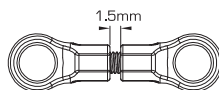
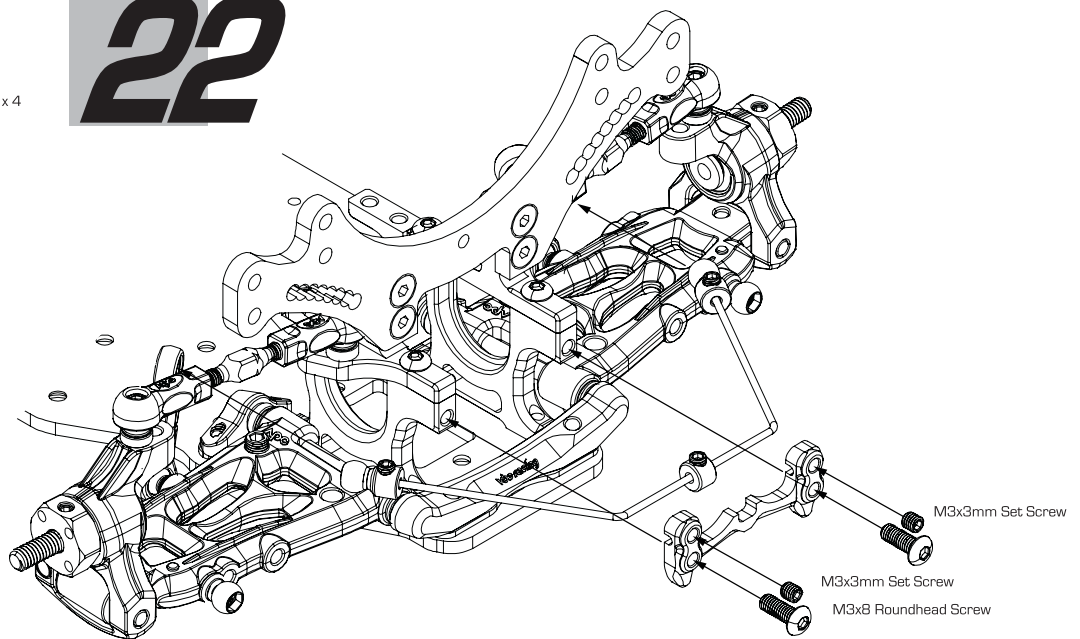
M3x10mm Set Screw C-02-SC-SS-0310 x 2



Turnbuckle Cup Open Type L A-03-VBC-0041 x 4



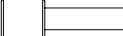
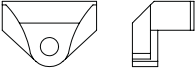
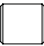

22

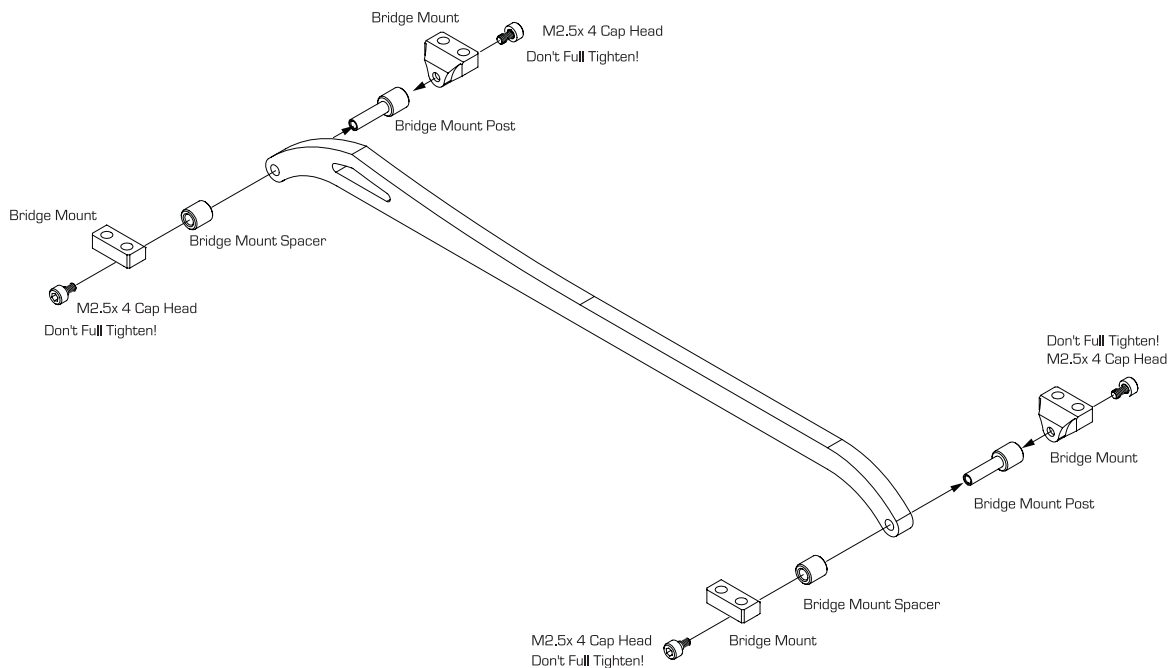


Note the double ring face to ball connector

23


Upper Deck Assembly

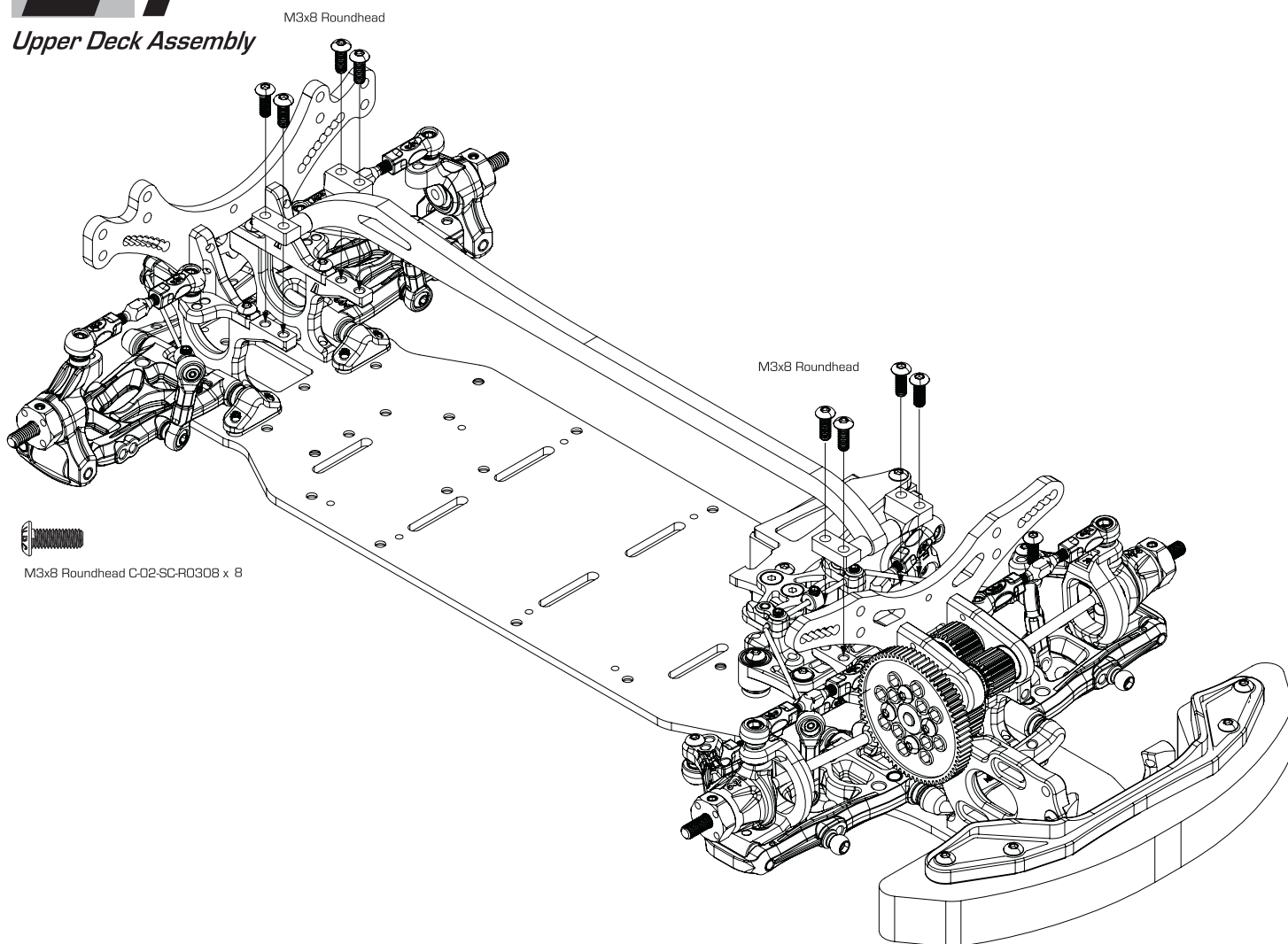
-  Bridge Mount Post B-02-P21335 X 2
-  Bridge Mount B-02-P21334 X 4
-  Bridge Mount Spacer B-02-P21336 X 2
-  M2.5x 4 Cap Head C-02-F2504 X 4



24

Upper Deck Assembly

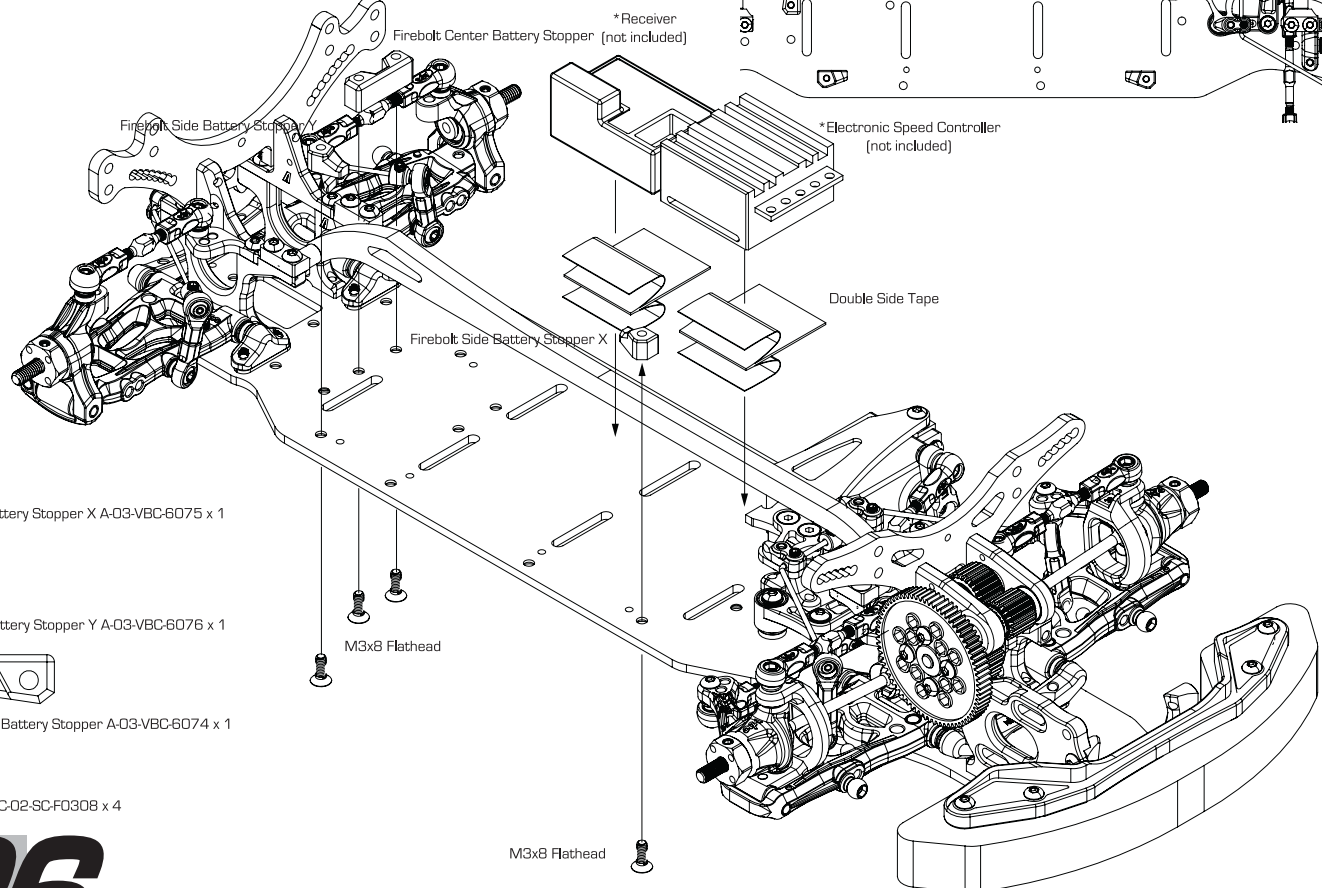
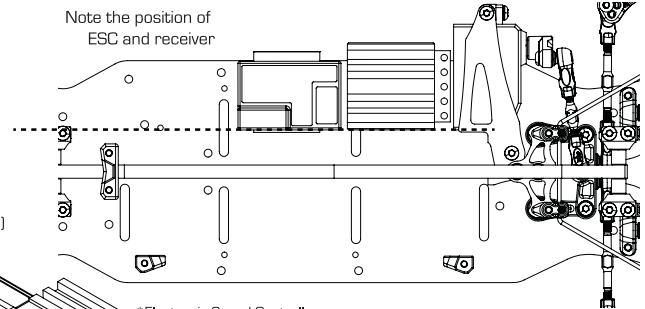
-  M3x8 Roundhead C-02-SC-R0308 x 8


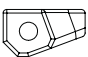
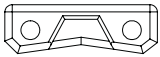



25

Receiver And ESC Installation

Note the position of ESC and receiver

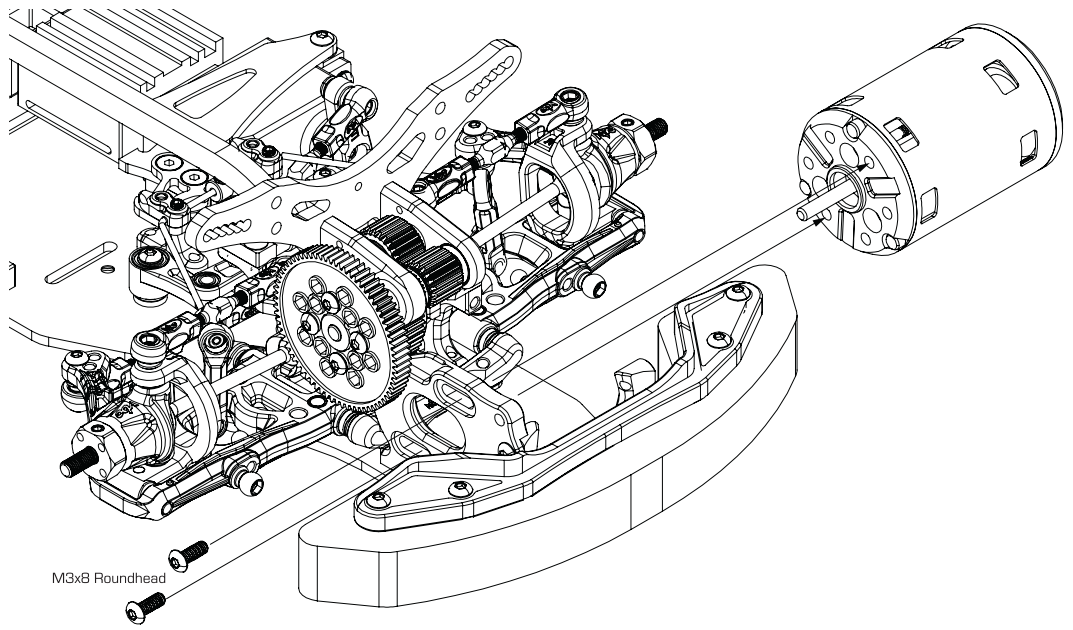


-  Firebolt Side Battery Stopper X A-03-VBC-6075 x 1
-  Firebolt Side Battery Stopper Y A-03-VBC-6076 x 1
-  Firebolt Center Battery Stopper A-03-VBC-6074 x 1
-  M3x8 Flathead C-02-SC-F0308 x 4

26

Motor Installation

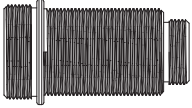
-  M3x8 Roundhead C-02-SC-R0308 x 2



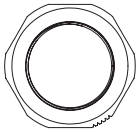
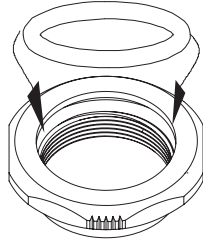
27

Assemble Oil Shocks

MAKE 4 SHOCKS



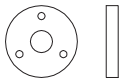
Shock Body B-02-VBC-0039 x 4



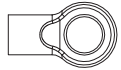
Shock Height Adjuster B-02-P21414 x 4



Shock Bottom Cap B-02-P21415 x 4



Shock Piston (3 holes) A-03-VBC-0045 x 4



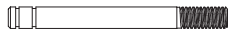
Shock Bottom Connector A-03-VBC-0066 x 4



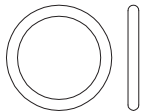
Shaft Cap A-03-VBC-0046 x 4



Shaft Guide A-03-VBC-0058 x 4



Shock Shaft B-02-VBC-0043 x 4



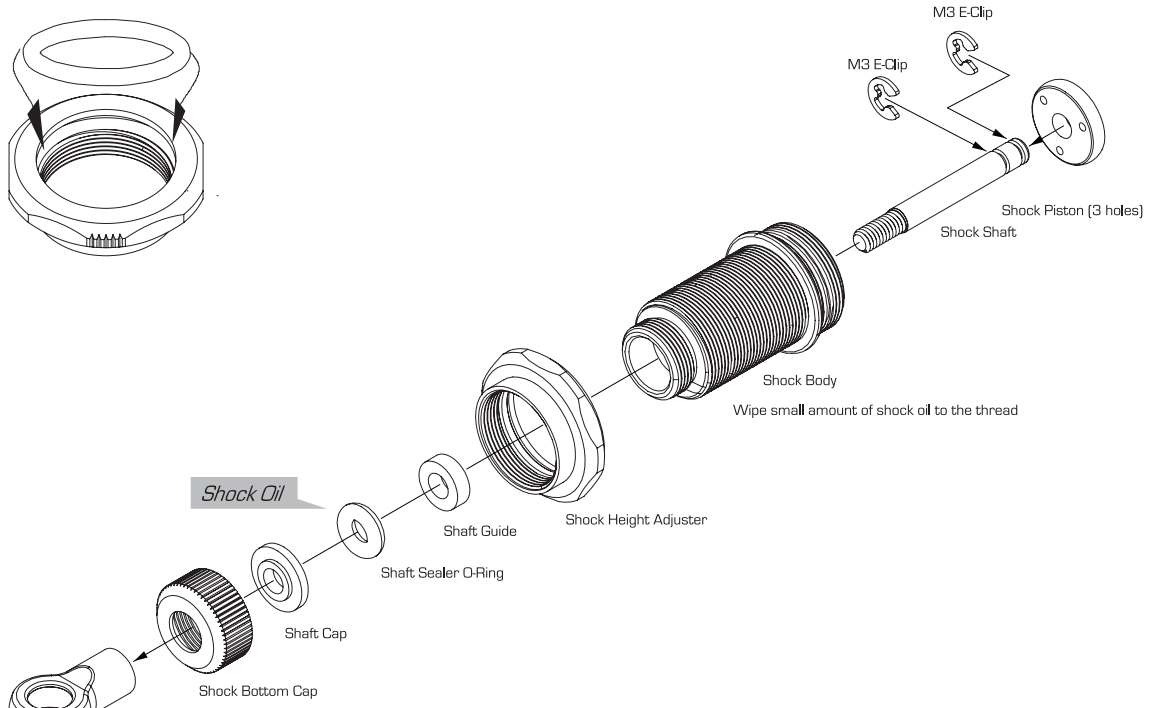
Sealer O-Ring B-03-VBC-0002 x 4



Shaft Sealer O-Ring B-03-VBC-0012 x 4

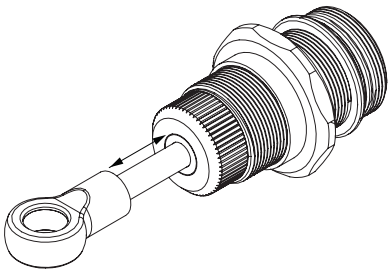


M3 E-Clip B-02-VBC-0044 x 8



Wipe small amount of shock oil to the thread

Note the double ring face to ball connector



Make sure the shock shaft can move up and down freely

28

Assemble Oil Shocks Part 2



Shock Top Connector A-03-VBC-0042 x 4



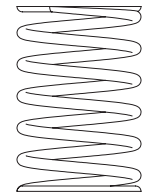
Spring Bottom Support A-03-VBC-0043 x 4



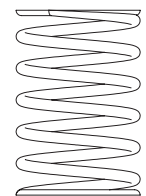
Oil Sealer Cap B-03-VBC-0011 x 4



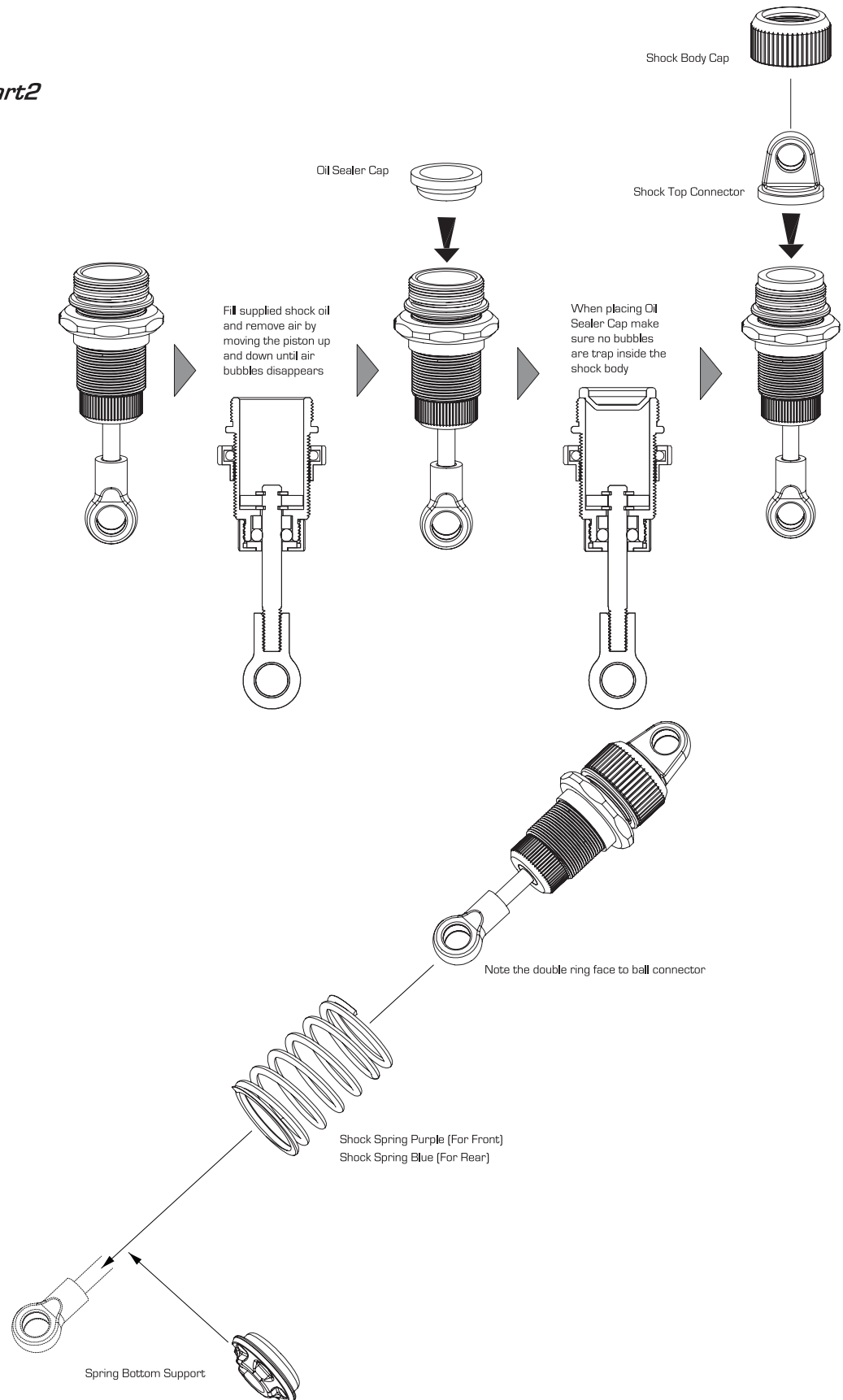
Shock Body Cap B-02-P21417 x 4



FF17 Purple Spring N-01-P21418 X 2

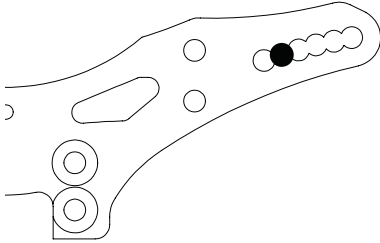


FF17 Blue Spring N-01-P21419 X 2

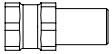


29

Damper Set Assembly



Basic setup damper position



Alum Shock Mount Post
B-02-VBC-2054 x 2



M3x6 Roundhead Screw C-02-SC-R0306 x 4

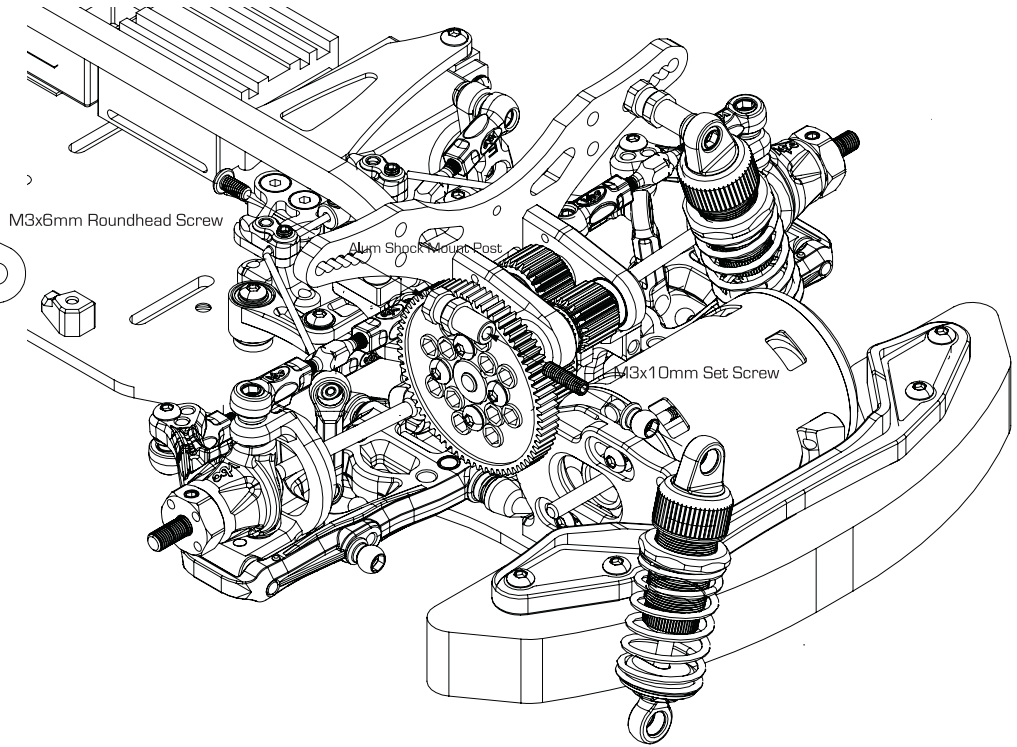
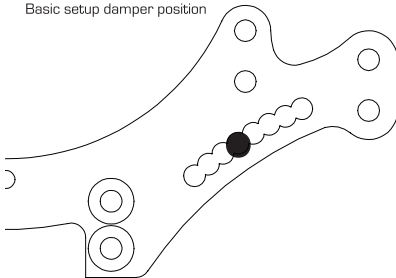


M3x10mm Set Screw C-02-SC-SS-0310 x 2

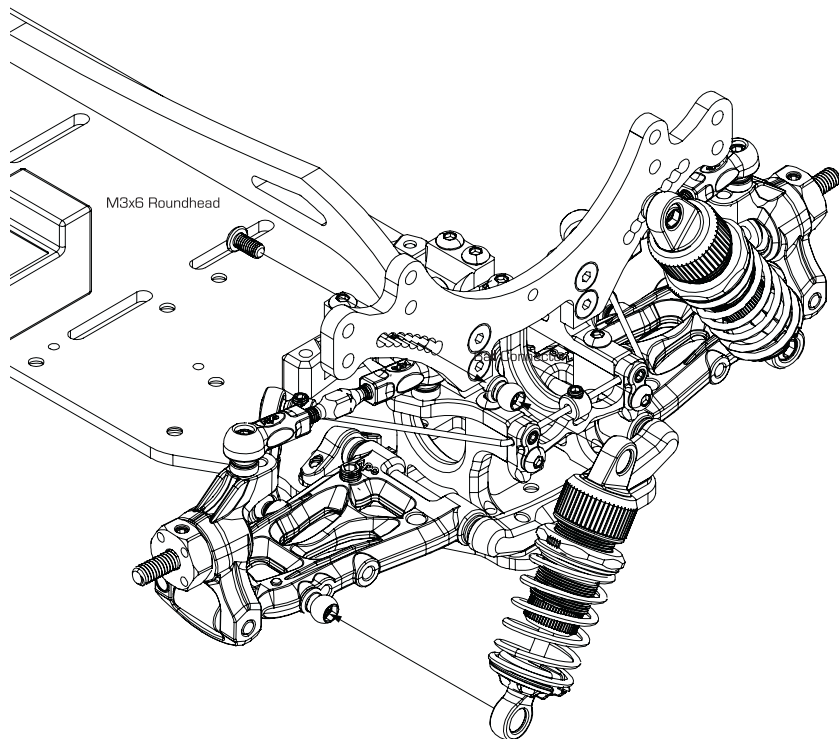


Ball Connector B-02-VBC-0045 x 4

Basic setup damper position

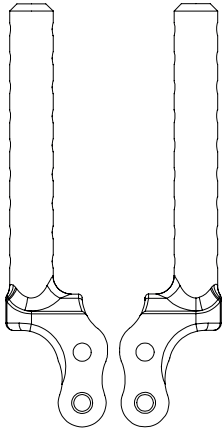


INSTALL LEFT &
RIGHT DAMPERS



30

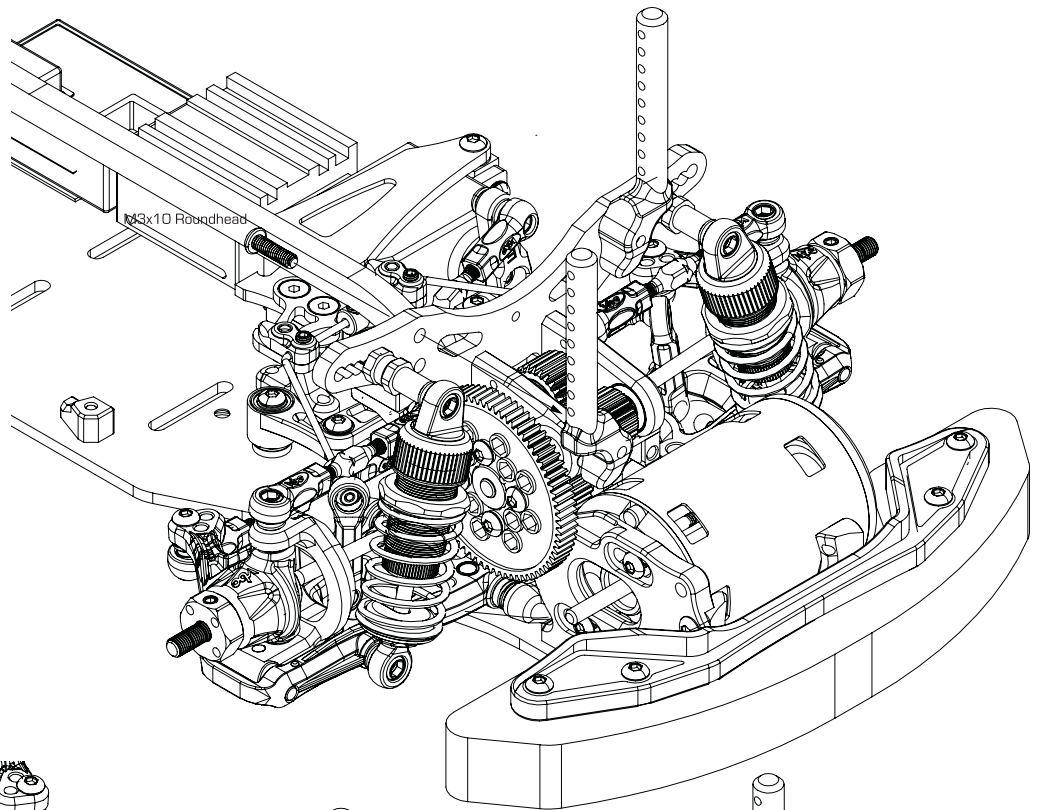
Front Body Post Assembly



Front Body Post, L&R A-03-VBC-2055 x 2

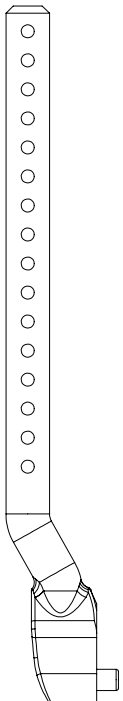


M3x10 Roundhead Screw C-02-SC-R0310 x 4

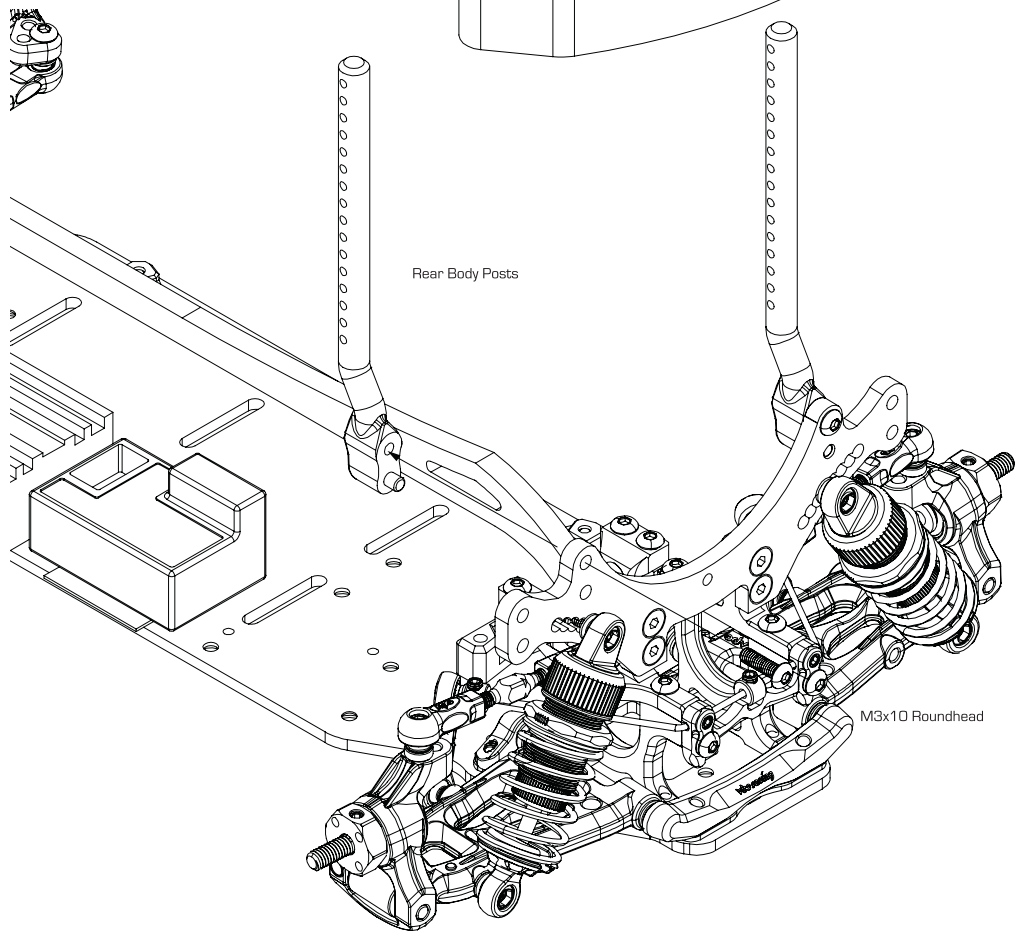


31

Rear Body Post Assembly

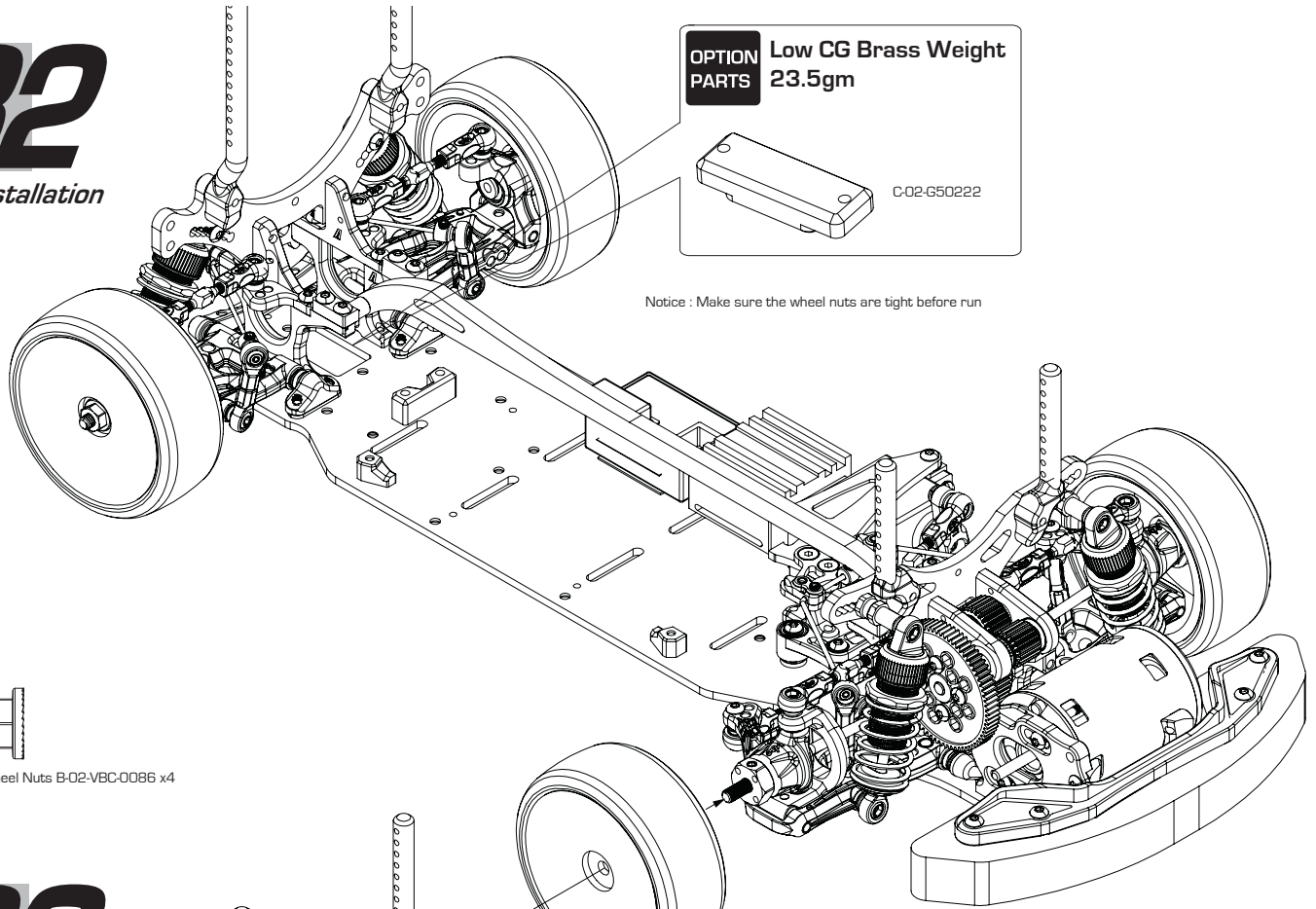


Rear Body Posts A-03-VBC-2056 x 2



32

Tires Installation



M4 Flanges Wheel Nuts B-02-VBC-0086 x4

33

Battery Installation

