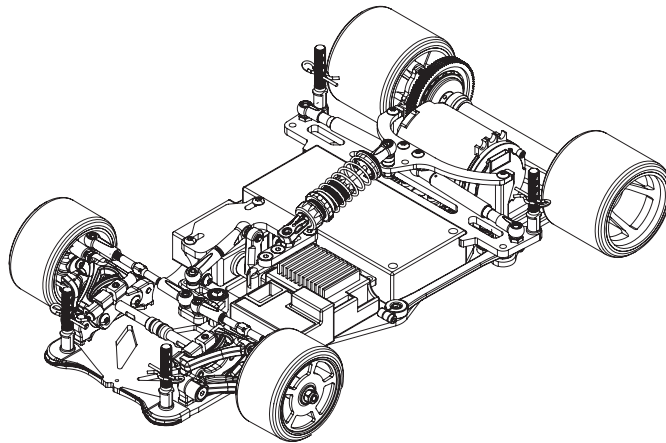


COMPETITION GRADE HIGH PERFORMANCE RADIO CONTROL RACING CAR CHASSIS KIT

LIGHTNING 12M

1/12 SCALE ELECTRIC COMPETITION CAR KIT



INSTRUCTIONS MANUAL

vbc racing

E

Thank you for purchasing VBC Racing product.

Things that we should remind you.

This VBC Racing kit is a high performance, racing grade car kit intended for experienced racers. The kit compose of VBC formulated composite materials, top quality full carbon fiber chassis and high grade 7075 material which will give you a competitive edge over the others.

Novice racer should seek advice from more experienced racer before assembly.

Always keep this instruction manual handy at all times for quick reference even after completing the assembly.

Before your assembly, sand the chassis edges.

Sand the chassis edges with #600 sand paper and apply CA glue to the edges and counter sink holes.

Need help or support.

If you need help or you would like to leave us a comment, please email to our support team: support@vbc-racing.com or visit our web site www.vbcrcracing.com

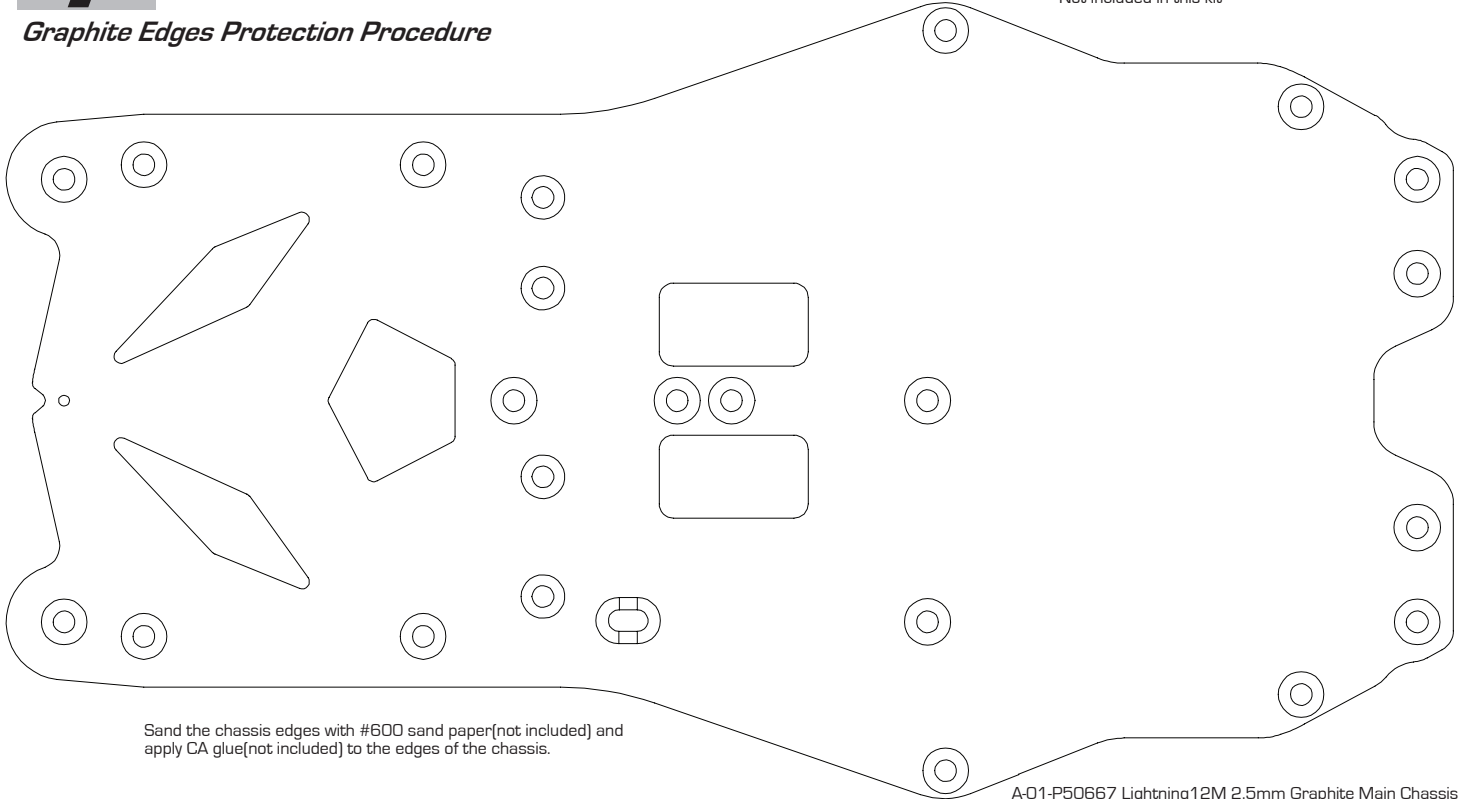


1

Graphite Edges Protection Procedure

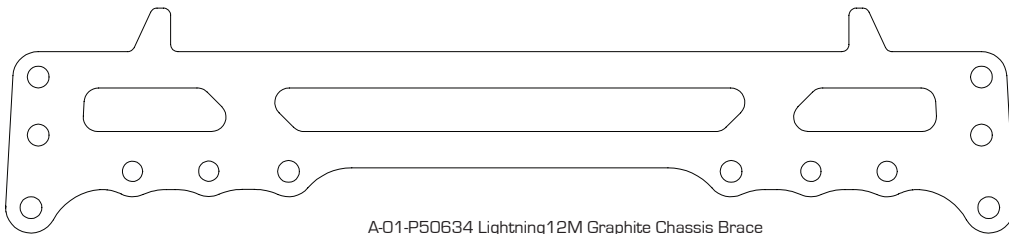


*Not included in this kit

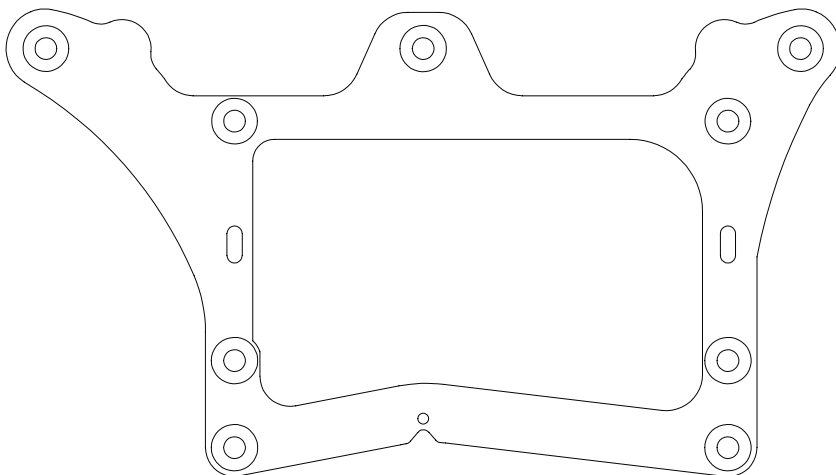


Sand the chassis edges with #600 sand paper(not included) and apply CA glue(not included) to the edges of the chassis.

A-01-P50667 Lightning12M 2.5mm Graphite Main Chassis



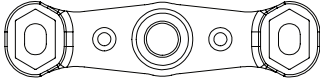
A-01-P50634 Lightning12M Graphite Chassis Brace



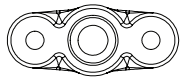
A-01-P50642 Lightning12M Graphite Lower Pod Plate

Sand the below graphite edges with #600 sand paper and apply CA glue to the edges.

2



Pivot Brace D-05-VBC-0101 x 1



Pivot Brace Cover D-05-VBC-0101 x 1



M2x6 Cap Head C-02-SC-F2.0x6 x 2



Pivot Balls A-03-VBC-1027 x 5



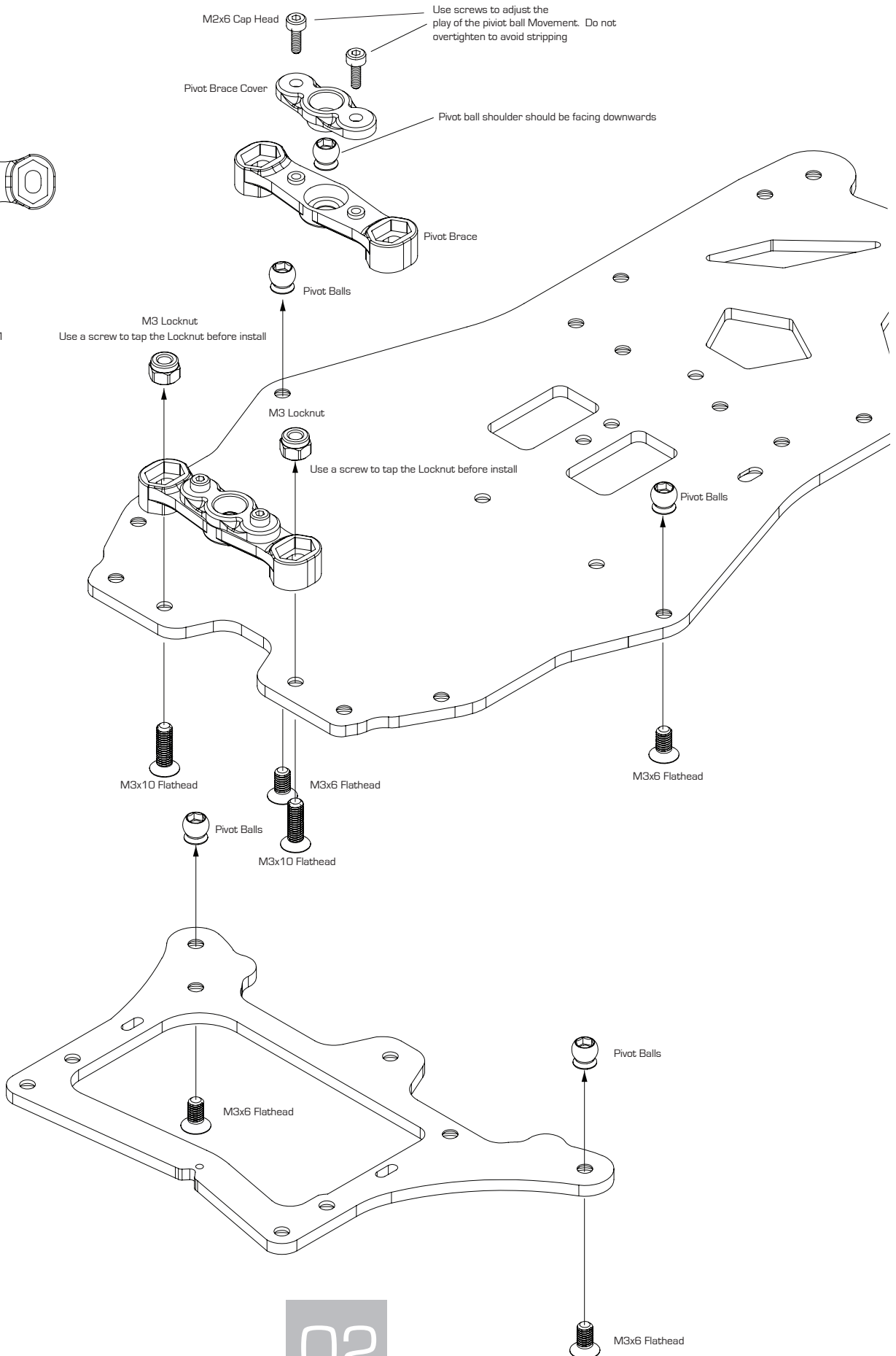
M3x6 Flathead C-02-SC-F0306 x 4



M3x10 Flathead C-02-SC-F0310 x 2





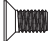
M3 Locknut C-02-SC-NN03 x 2

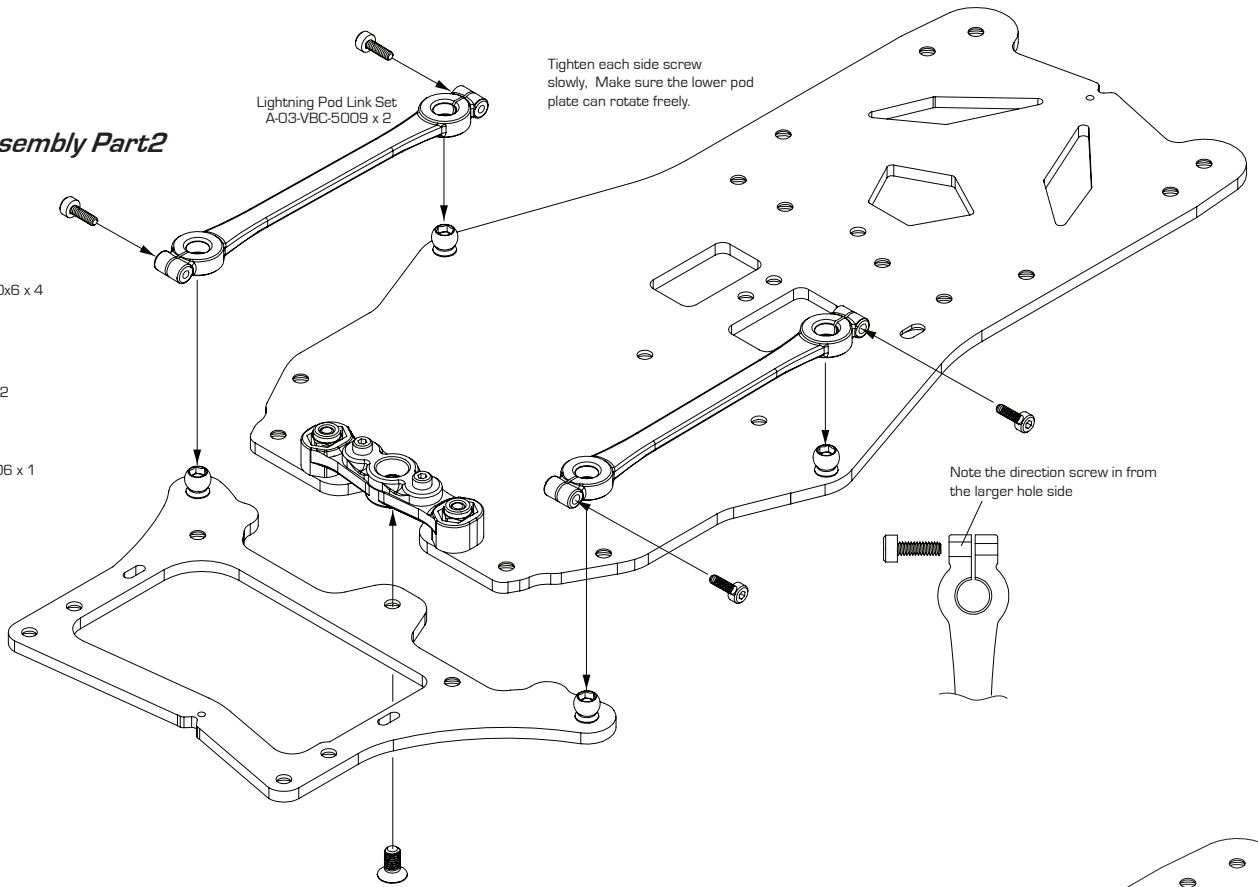


02

2

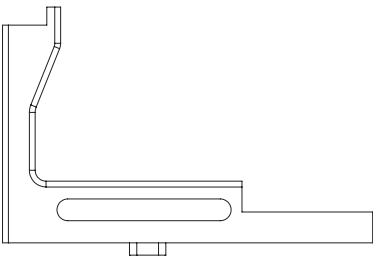
Pivot Brace Assembly Part 2


-  M2x6 Cap Head C-02-SC-R2.0x6 x 4
-  M3 Locknut C-02-SC-NN03 x 2
-  M3x6 Flathead C-02-SC-F0306 x 1

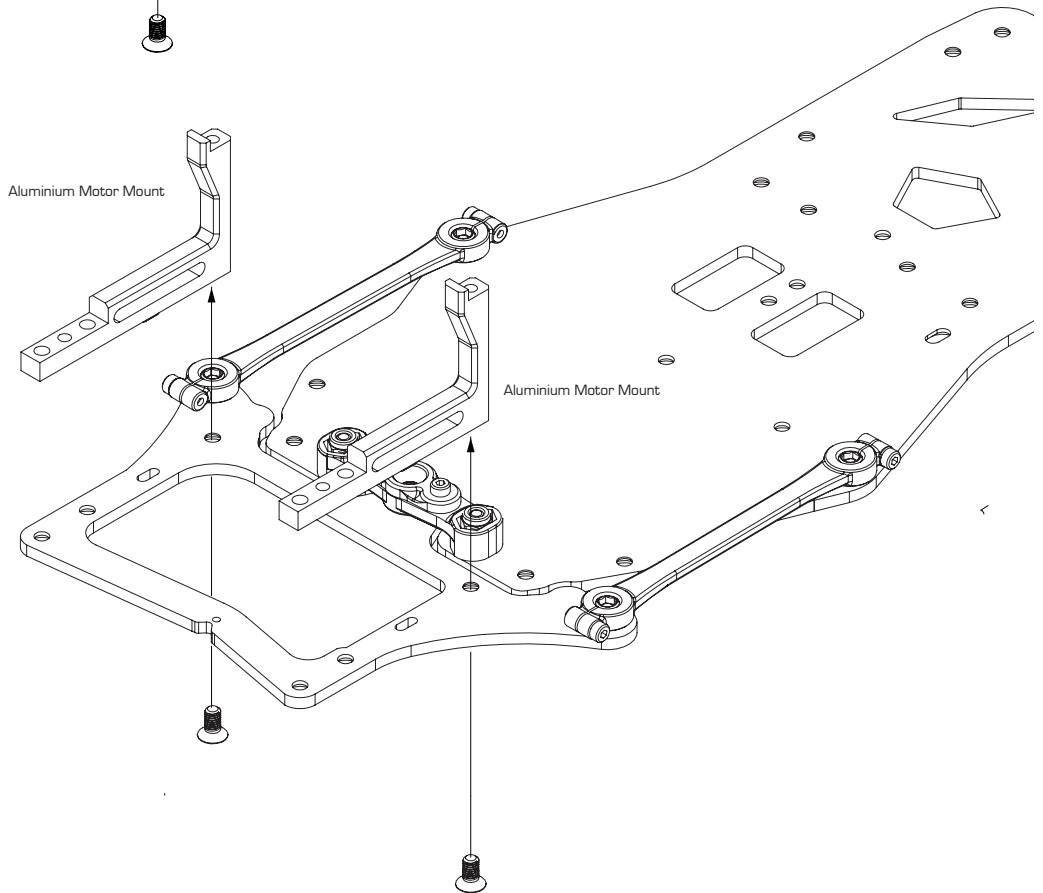


3

Rear Bulkhead Assembly Part 1



- Aluminium Motor Mount B-02-P50664 x 2
-  M3x6 Flathead C-02-SC-F0306 x 2

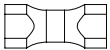


3

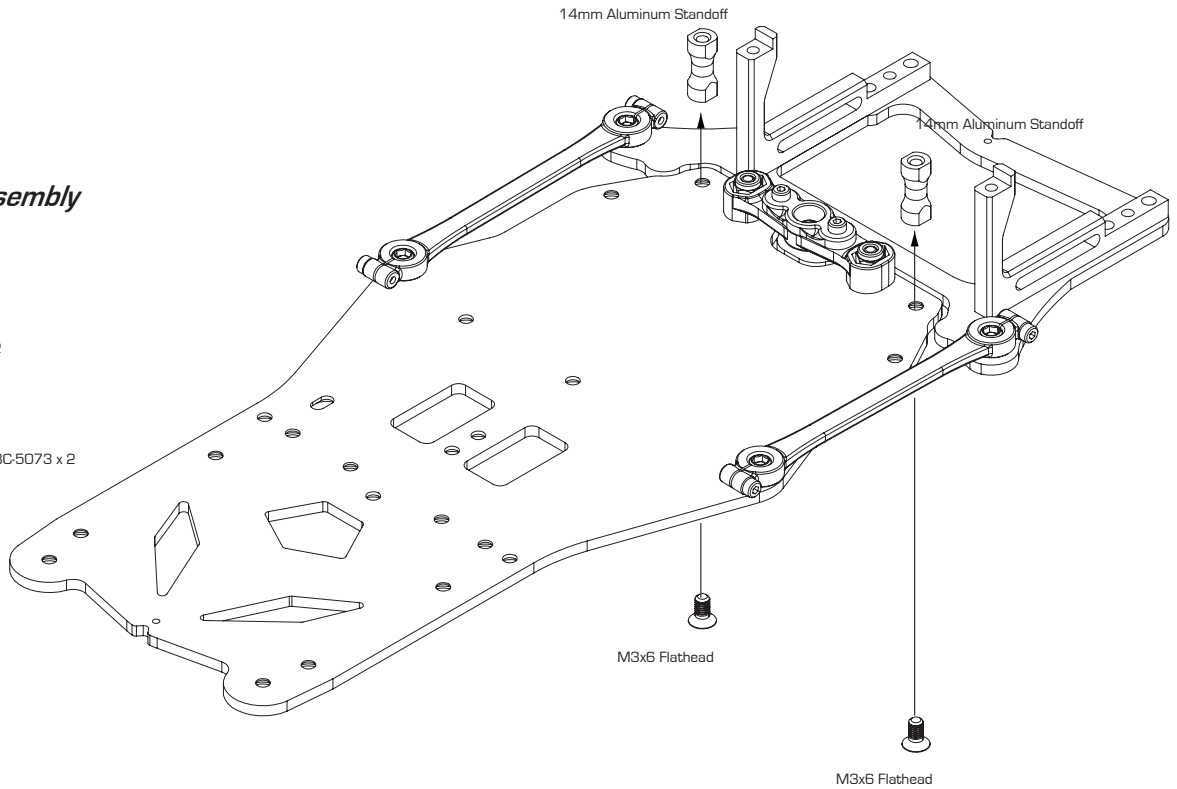
Chassis Brace Assembly



M3x6 Flathead C-02-SC-F0306 x 2



14mm Aluminum Standoff B-02-VBC-5073 x 2



4



4.7mm Ball Nuts B-02-VBC-5020 x 2



M3x6 Roundhead C-02-SC-R0306 x 2



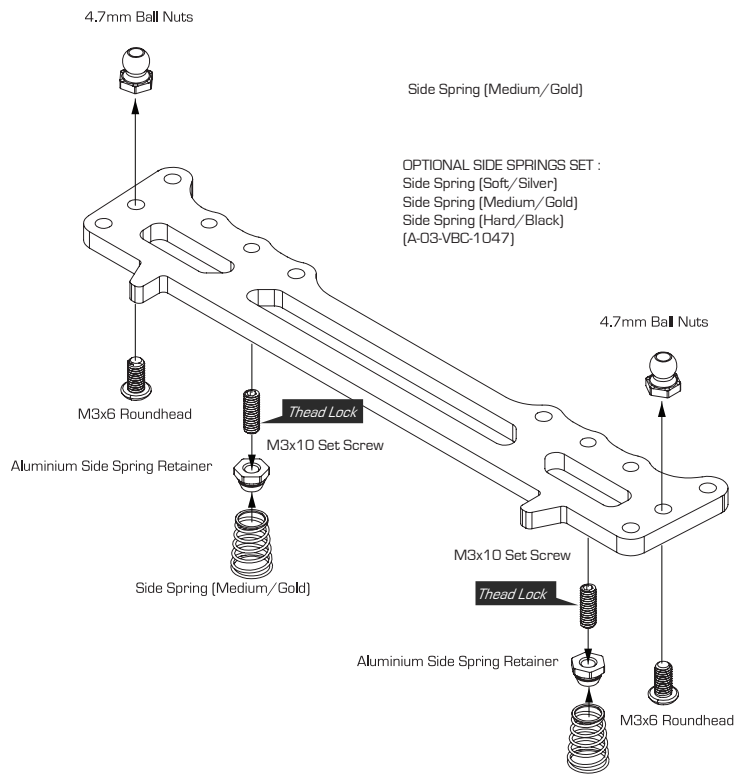
Aluminium Side Spring Retainer B-02-VBC-5074 x 2



Side Spring (Medium/Gold) A-03-VBC-1047 x 2



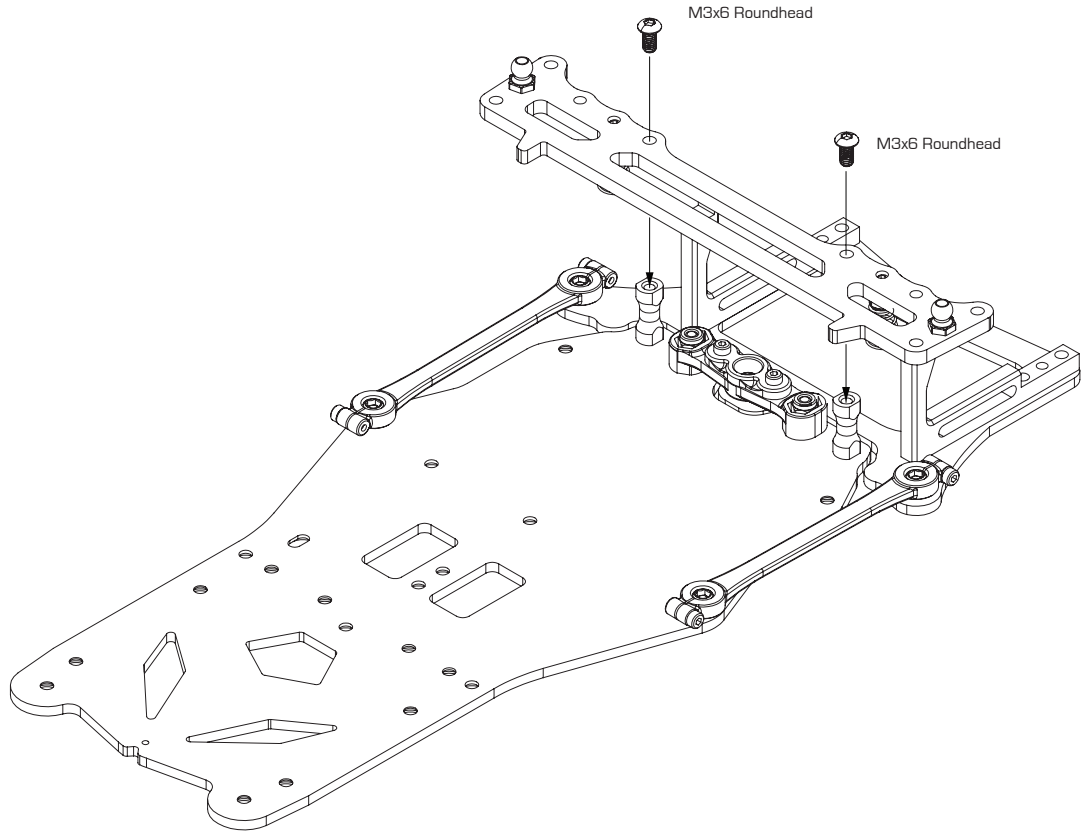
M3x10 Set Screw C-02-SS-0310 x 2



4



M3x6 Roundhead C-02-SC-R0306 x 2



5

Side Damper Tube Assembly



Ball Connector 4.7x17mm A-02-VBC-5092 x 1



4.7mm Ball Nuts B-02-VBC-5020 x 2



T2 7075 Spacer B-02-VBC-0019-20 x 2



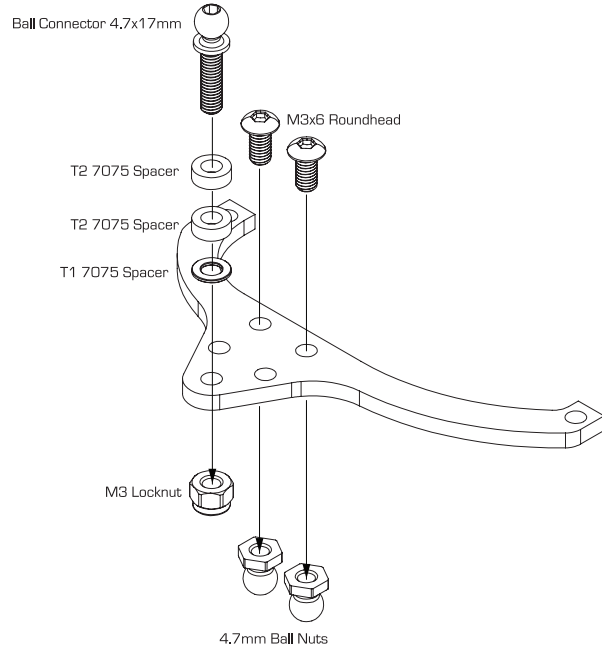
T1 7075 Spacer B-02-VBC-0019-10 x 1



M3x6 Roundhead C-02-SC-R0306 x 2



M3 Locknut C-02-SC-NN03 x 1



5

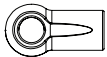
Side Damper Tube Assembly



Lightning Damper Tube Shaft D-05-VBC-0103 x 2



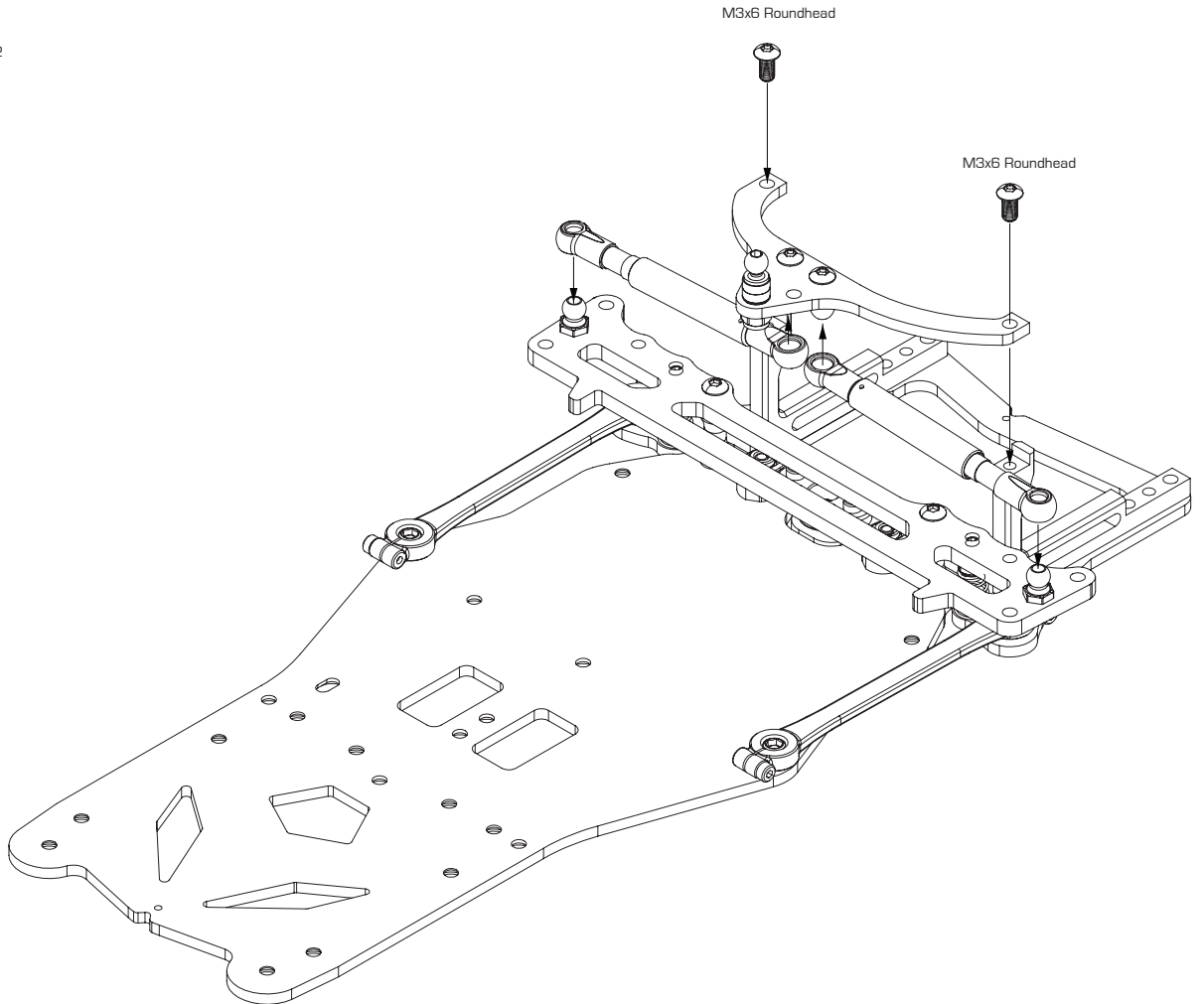
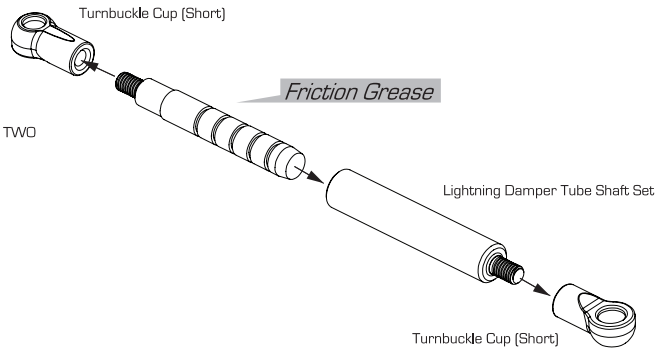
Lightning Damper Tube D-05-VBC-0103 x 2



Turnbuckle Cup (Short) A-03-VBC-5021 x 4



M3x6 Roundhead C-02-SC-R0306 x 2



6

Front Suspension Assembly

M2.5x4 Roundhead C-02-SC-R2504 x 4

Ball Connector 4.7x12mm A-02-VBC-5015 x 2

Lightning12 Front Axle B-02-VBC-5060 x 2

Pivot Ball B-02-VBC-5068 x 4

M3x15mm Turnbuckle, Black A-02-VBC-5053 x 2

Lightning12 Front Upper Arm Eyelet A-02-VBC-5092 x 2

M3x10 Roundhead C-02-SC-R0310 x 4

M3x12 Flathead C-02-SC-F0312 x 4

Lightning12 Front Upper Arm Spacer, 1.5mm A-01-VBC-5048 x 2

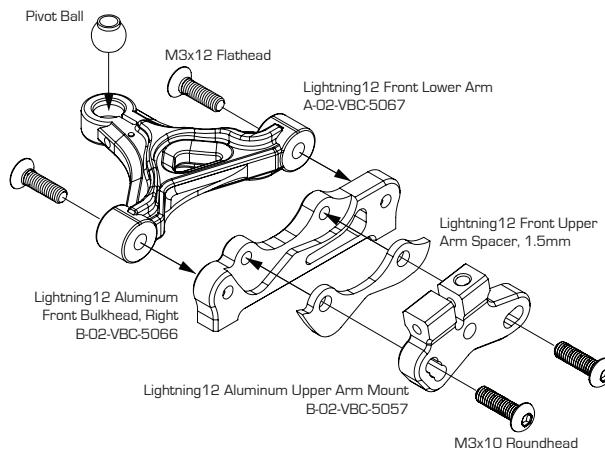
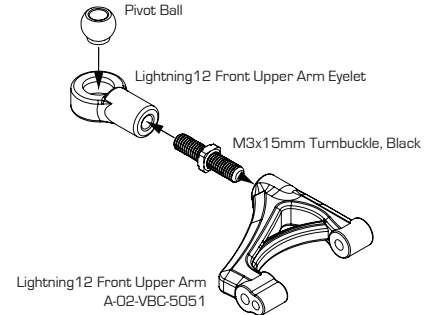
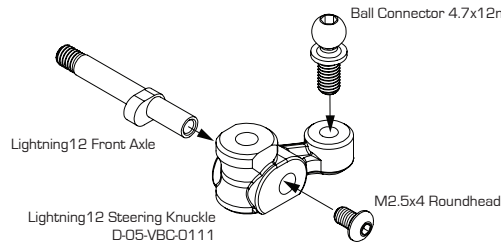
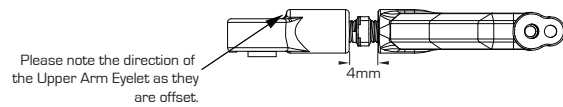
M3.3x0.4 Kingpin Shim C-02-VBC-5069 x 12

Lightning12 Kingpin C-02-VBC-5044 x 2

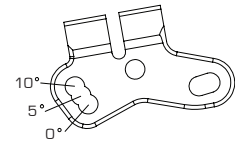
Front Spring [Medium/Gold] C-02-VBC-5042 x 2

M2x8 Caphead C-02-SC-R2.0x8 x 2

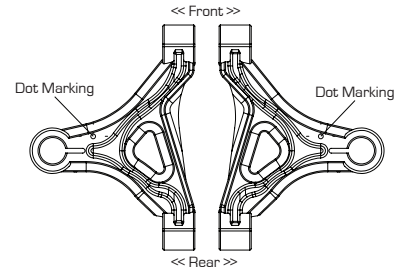
Make Two (Left And Right Side)



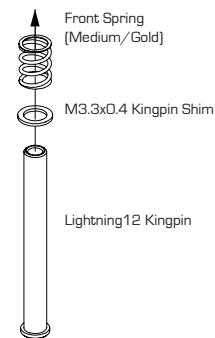
Upper Arm Mount Active Caster Setup



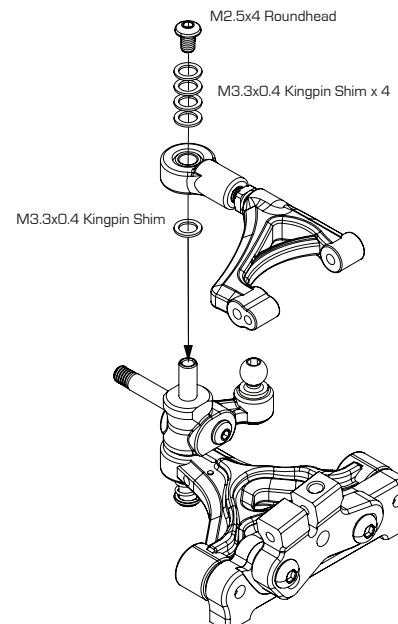
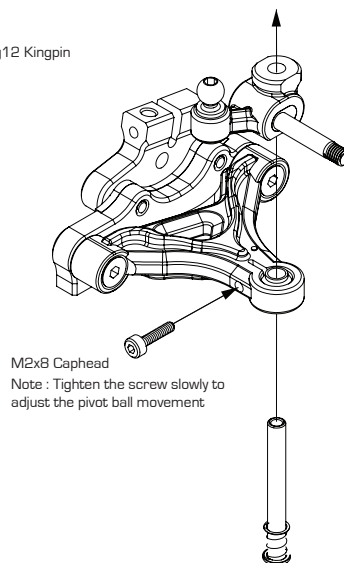
Note : Lower arm in the same direction, dot marking should be facing up



OPTIONAL FRONT UPPER ARM SPACER SET :
0.5mm / 1.0mm Adjust Spacer (D-05-VBC-0109)

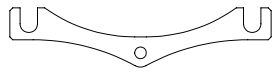


OPTIONAL FRONT SPRINGS :
Front Spring [Soft/Silver] C-02-VBC-5041
Front Spring [Hard/Black] C-02-VBC-5043



6

Front Suspension Assembly



Lightning12 Height Adjust Spacer, 1.5mm
A-01-VBC-5045 x 2



M3x8 Flat Head Screw C-02-SC-F0308 x 4



M2x4 Roundhead Screw C-02-SC-R0204 x 2



2mm Upper Hinge Pin C-02-VBC-5054 x 2



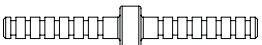
Caster Spacer, 0.8mm D-05-VBC-0110 x 2



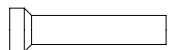
Caster Spacer, 1.2mm D-05-VBC-0110 x 2



M3x2mm Set Screw C-02-SC-SS-0302 x 2



Front Cross Brace Tube B-02-P50640 x 2



Front Cross Brace Insert B-02-P50641 x 1

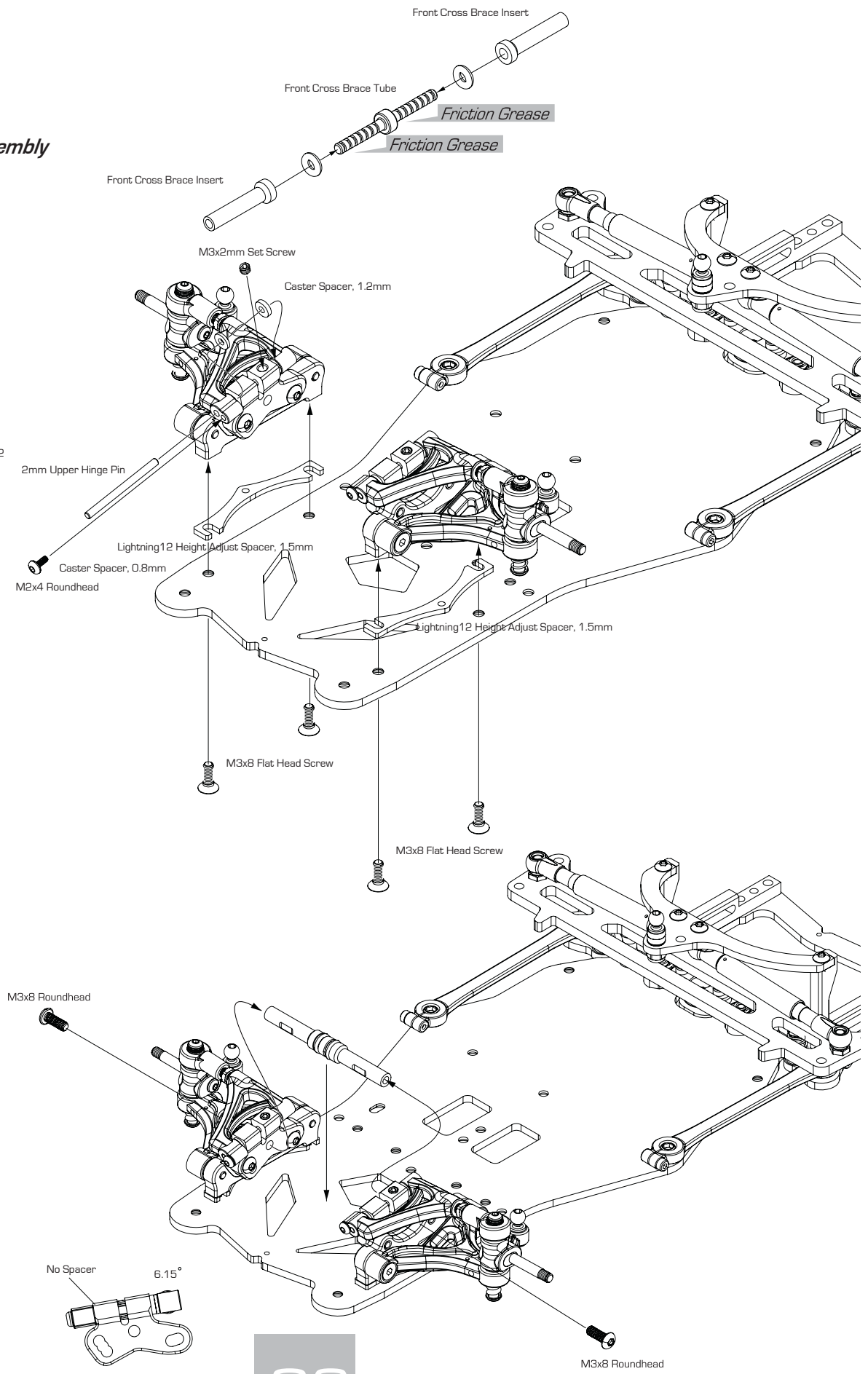
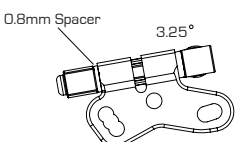
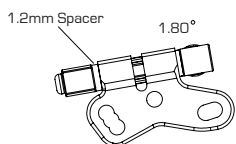


TBB Shaft Sealer O-Ring B-03-0011 x 2



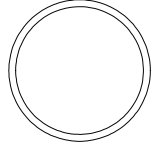
M3x8 Roundhead C-02-SC-R0308 x 2

Caster Adjustments



7

Ball Differential Assembly



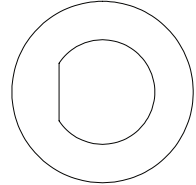
Differential Seal O-ring B-02-VBC-5082 x 2



Ball Bearing Flanged 3/8"x1/4" C-02-BB-3814F x 4



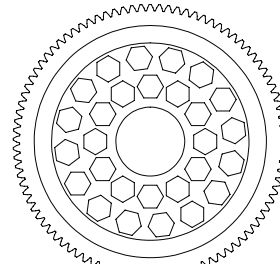
Ball Bearing 3/8"x1/4" C-02-BB-3814 x 1



Differential Drive Ring B-02-VBC-1001 x 2



1/8" Differential Balls C-02-DB-0801 x 18



Kawada 64 Pitch 94T Spur Gear C-02-P50981 x 1



Thrust Cone B-02-VBC-5081 x 1



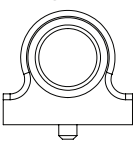
Bevelled Washer C-02-VBC-5076 x 3



M4 Nylon Nuts A-02-VBC-5075 x 1



Ride Height 1.0mm Spacer A-01-P50968 x 4



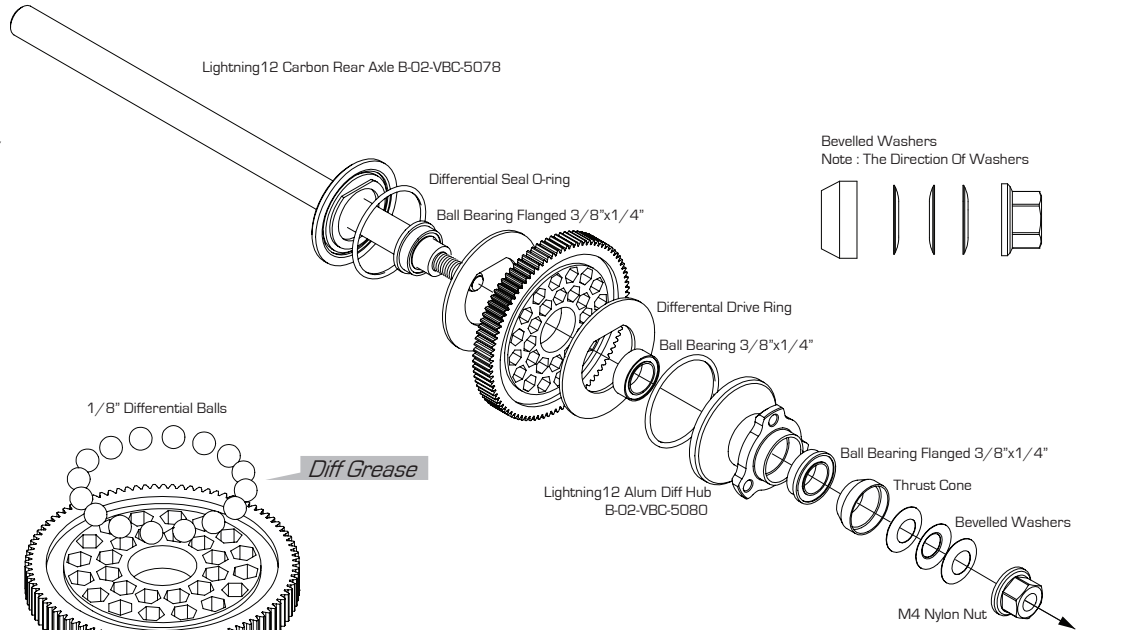
Lightning 12M Rear Hub Axle Housing B-02-P50666 x 2



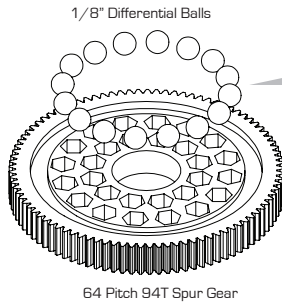
M3x12 Flathead C-02-SC-F0312 x 4



Carbon Cross Tube A01P50665 x 1



Bevelled Washers
Note : The Direction Of Washers



Ball Bearing Flanged 3/8"x1/4"



Rear Hub Axle Housing



Carbon Cross Tube

Ride Height 1.0mm Spacer

Rear Hub Axle Housing

Ball Bearing Flanged 3/8"x1/4"

Ride Height 1.0mm Spacer

M3x12 Flathead

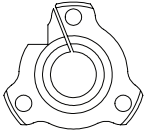
M3x12 Flathead

7

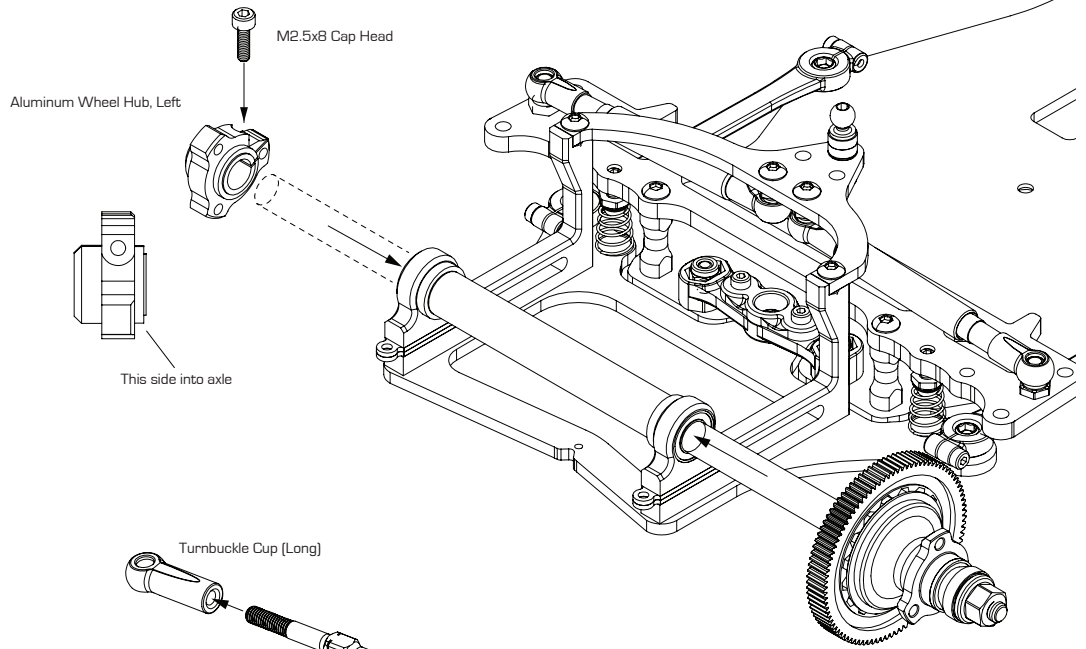
Ball Differential Assembly



M2.5x8 Cap Head Screw C-02-SC-R2508 x 1

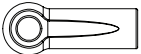


Aluminum Wheel Hub, Left
B-02-VBC-5079 x 1

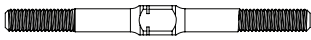


8

Servo And Top Plate Assembly



Turnbuckle Cup (Long) A-03-VBC-5016 x 2



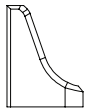
42mm Turnbuckle, Black B-02-VBC-5014 x 2



M3x6x0.5mm Spacer B-02-VBC-5093 x 4



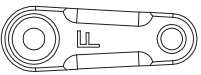
M3x6 Roundhead C-02-SC-R0306 x 5



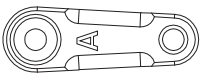
Alum Servo Mount B-02-VBC-5012 x 2



Ball Connector 4.7x12mm A-02-VBC-5015 x 1



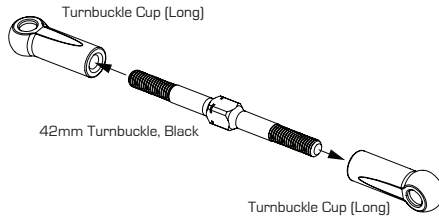
Servo Horn Type F (Futaba)
A-03-VBC-0053 x 1



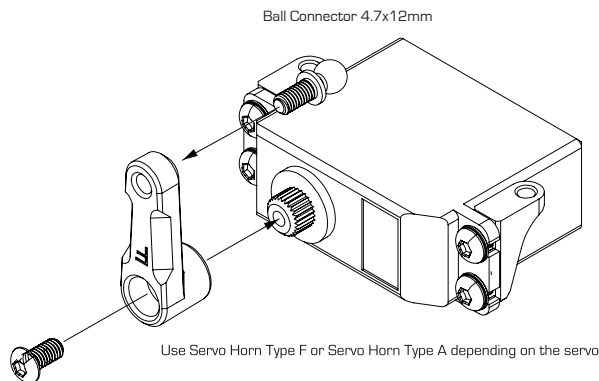
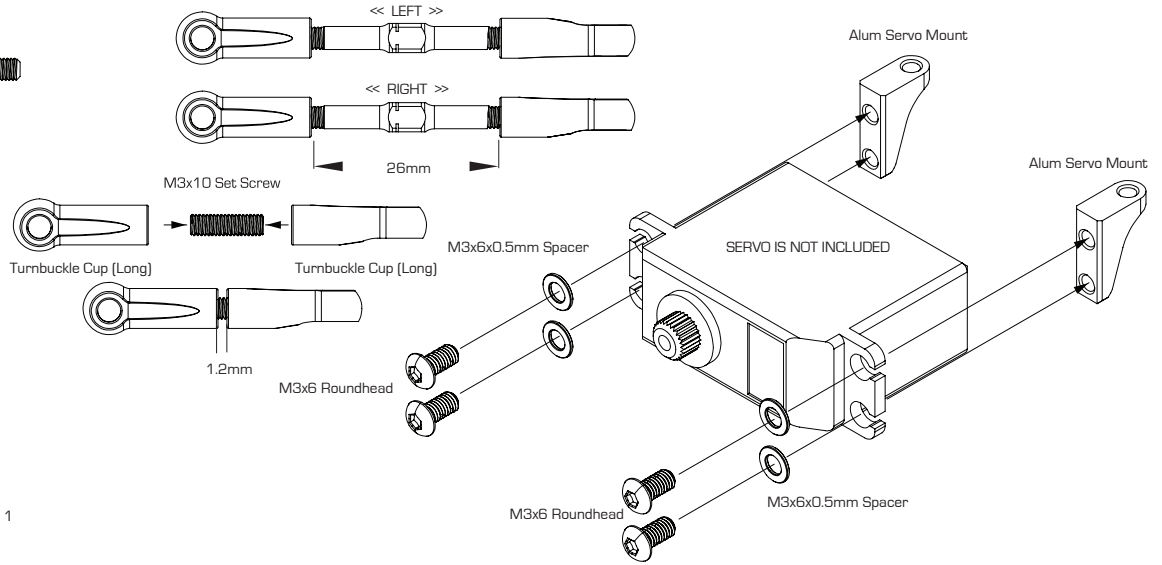
Servo Horn Type A (Airtronics/KO)
A-03-VBC-0054 x 1



M3x10 Set Screw C-02-SC-SS-0310 x 1

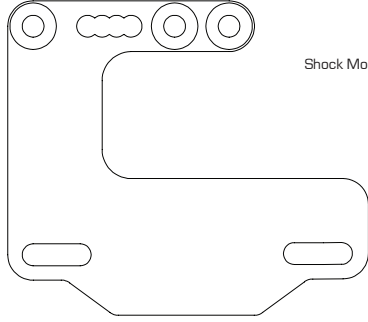


Optional : Tie Rod Wrench Set D-05-VBC-0048 (not included)



8

Servo And Top Plate Assembly



Shock Mount Plate A-01-P50639 x 1



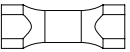
M3x6 Flathead C-02-SC-F0306 x 6



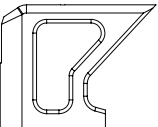
M3x6 Roundhead C-02-SC-R0306 x 2



M3x8mm Round Head Screw C-02-SC-R0308 x 1



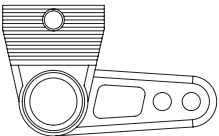
17mm Aluminum Standoff A-01-VBC-5005 x 1



Alum Shock Mount B-02-P50638 x 1



M3 Hex Nut C-02-SC-FN03 x 1



Lightning FX Steering Arm_A B-02-P50609 x 1



Lightning FX Steering Arm_B B-02-P50782 x 1



M3x4 Roundhead C-02-SC-R0304 x 1



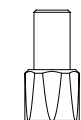
Ball Connector 4.7x12mm B-02-VBC-5015 x 3



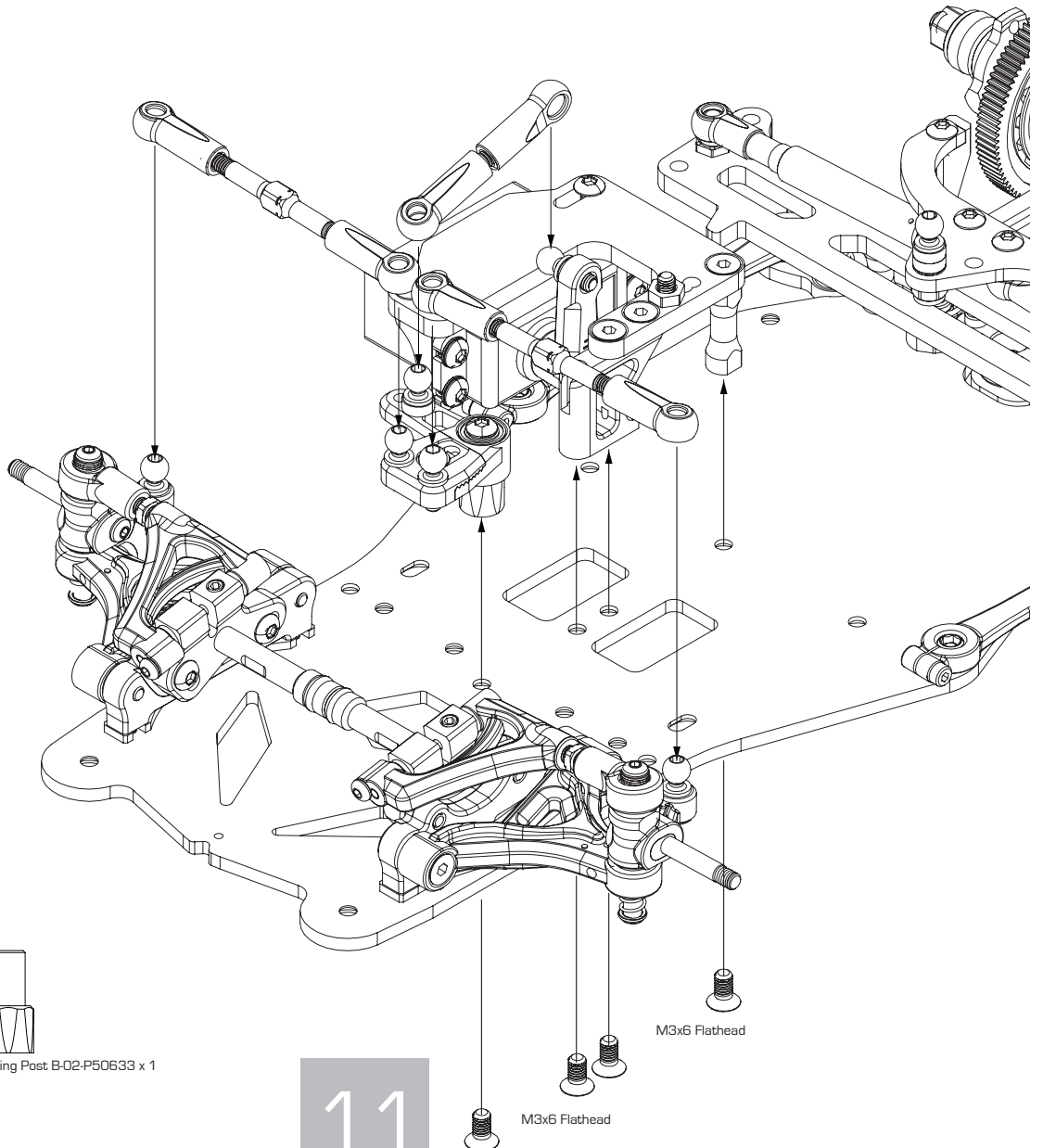
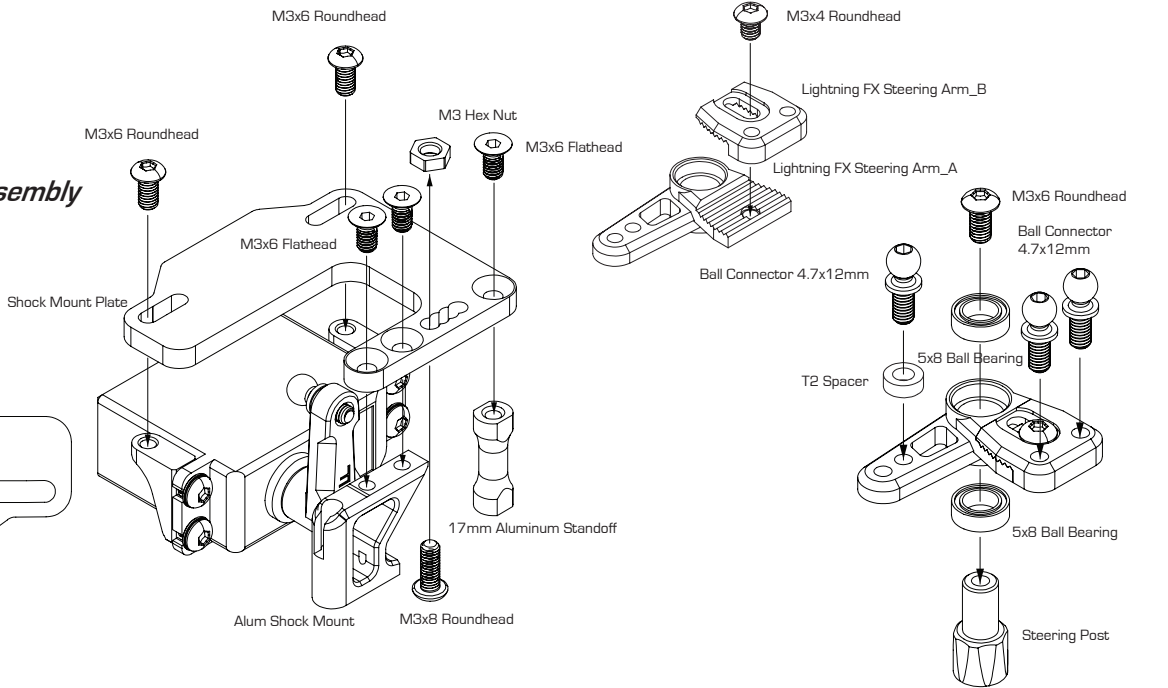
5x8 Ball Bearing C-02-BB-0805-B x 2



T2 7075 Spacer B-02-VBC-0019-20 x 1

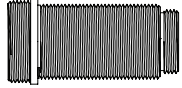


Steering Post B-02-P50633 x 1

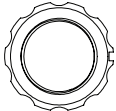


9

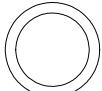
Assemble TBX Shock



TBX Shock Body B-02-VBC-5023 x 1



TBX Spring Adjuster B-02-VBC-5024 x 1



M1.5x10 O-ring C-02-VBC-5035 x 1



TBX Shock Bottom Cap B-02-VBC-5025 x 1



Shock Bottom O-ring Guard A-02-VBC-5030 x 1



M2x6mm O-ring (Blue) C-02-VBC-5037 x 1



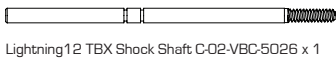
M2x6mm O-ring (Clean) R-02-P50264 x 1



TBX Piston [2 Holes] A-02-VBC-5027 x 1



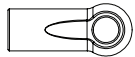
TBX Piston [3 Holes] A-02-VBC-5028 x 1



Lightning12 TBX Shock Shaft C-02-VBC-5026 x 1



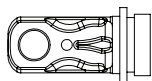
M1.5 E-Clip C-02-VBC-5038 x 2



TBX Shock Ball End B-02-VBC-5033



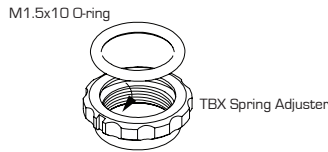
TBX Shock O-ring Guard A-02-VBC-5029



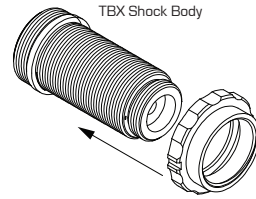
TBX Shock Thru Cap A-02-VBC-5031 x 1



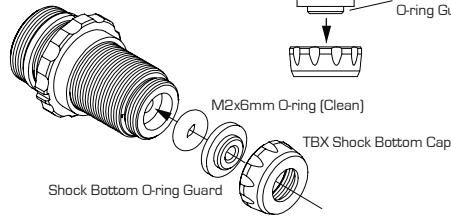
M1.0x7.5 O-ring C-02-VBC-5036 x 2



Insert Sealer O-Ring inside the Spring Adjuster Groove



TBX Shock Body



Shock Bottom O-ring Guard

Note The Direction Of O-ring Guard On Top

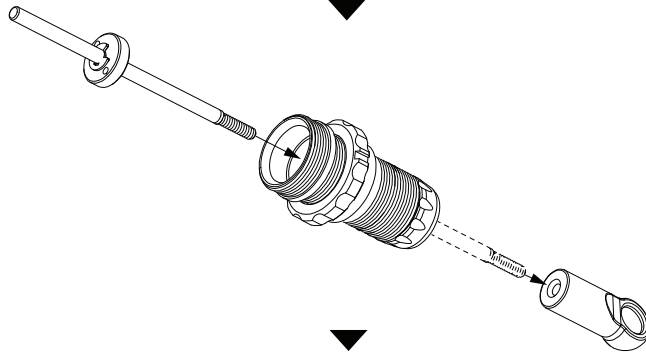
M2x6mm O-ring (Clean)

TBX Shock Bottom Cap

M1.5 E-Clip

Lightning12 TBX Shock Shaft

TBX Piston [2 Holes]



TBX Shock Ball End

TBX Shock Thru Cap

M1.0x7.5 O-ring

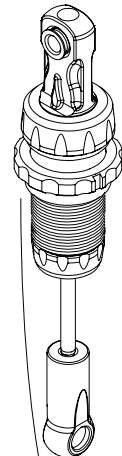
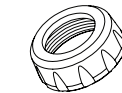
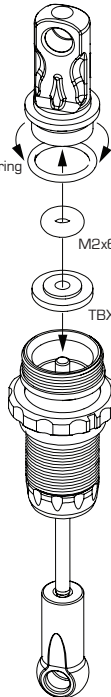
Note The Direction Of O-ring Guard On Top

M2x6mm O-ring (Blue)

TBX Shock O-ring Guard

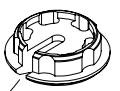
Fill supplied shock oil and remove air by moving the piston up and down until air bubbles disappear

5mm Pivot Ball A-03-VBC-1027 x 1



Lightning12 TBX Spring [Gold/Medium] C-02-VBC-5034

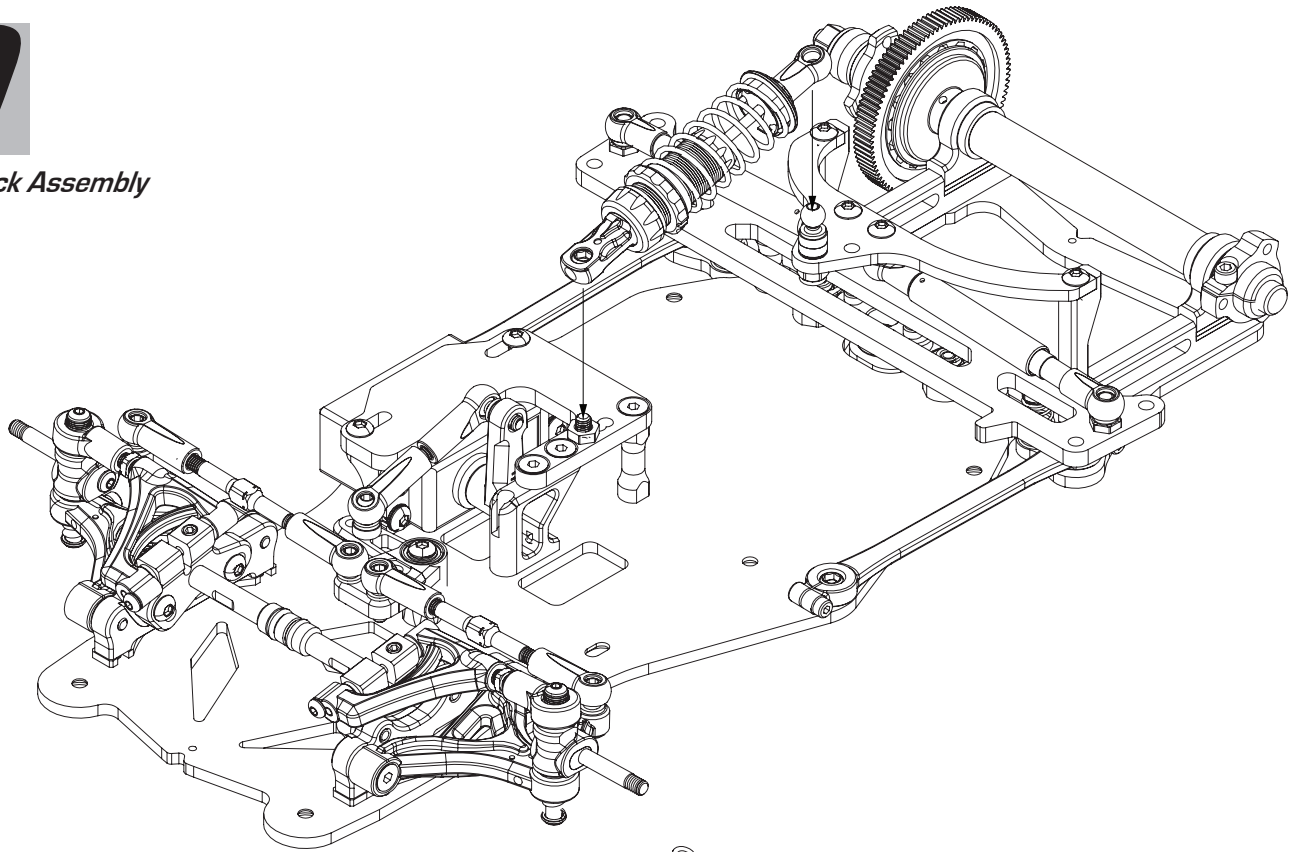
TBX Spring Retainer A-02-VBC-5032 x 1



OPTIONAL LIGHTNING12 TBX SPRINGS:
C-02-VBC-5039 (Med. Soft/Silver)
C-02-VBC-5040 (Med. Hard/Black)

9

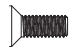
TBX Shock Assembly

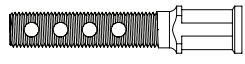


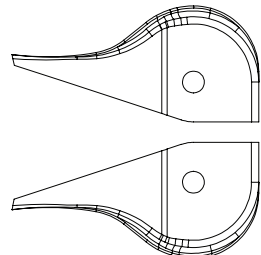
10

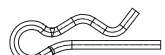
Body Posts Assembly

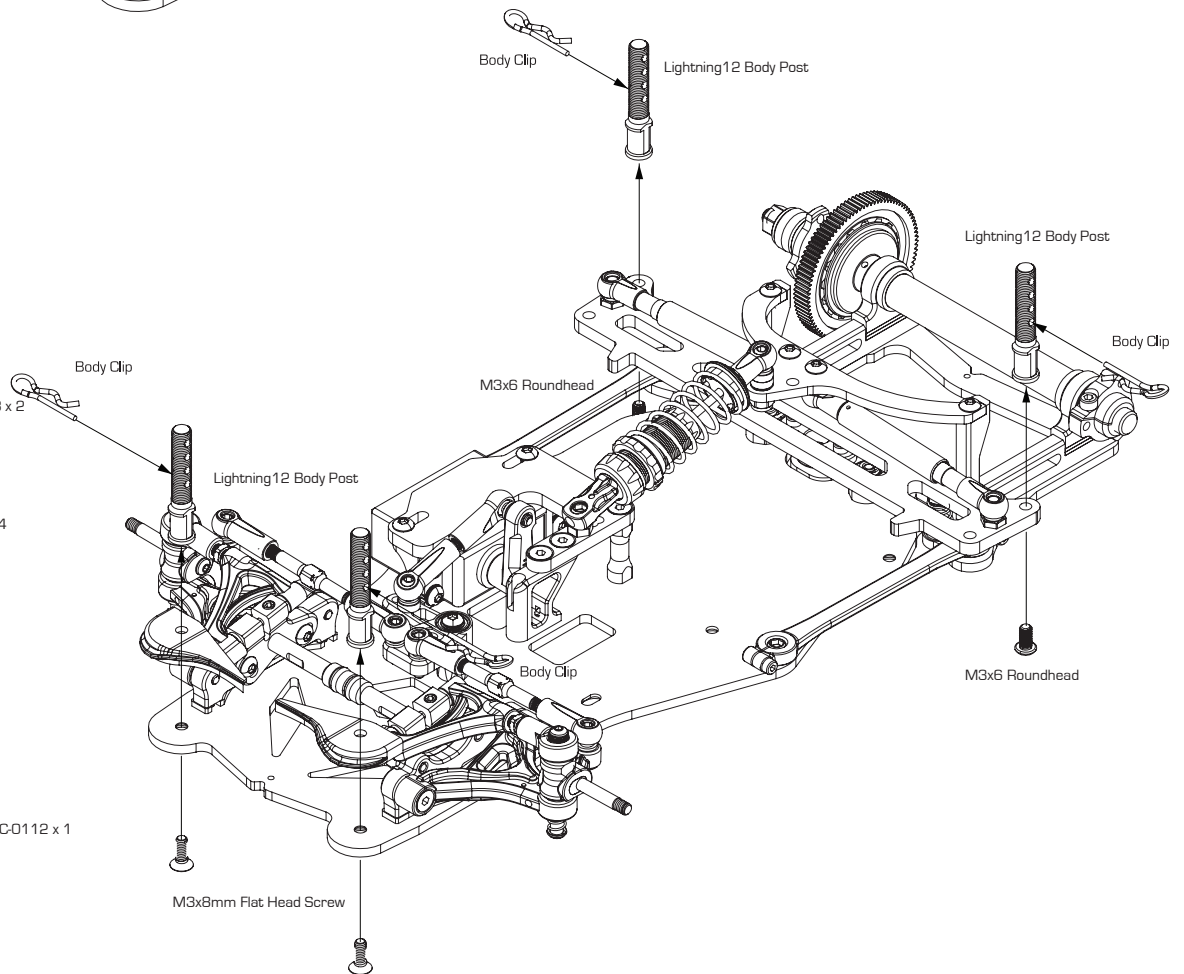
 M3x6 Roundhead C-02-SC-R0306 x 2

 M3x8mm Flat Head Screw C-02-SC-F0308 x 2

 Lightning12 Body Posts A-03-VBC-5010 x 4

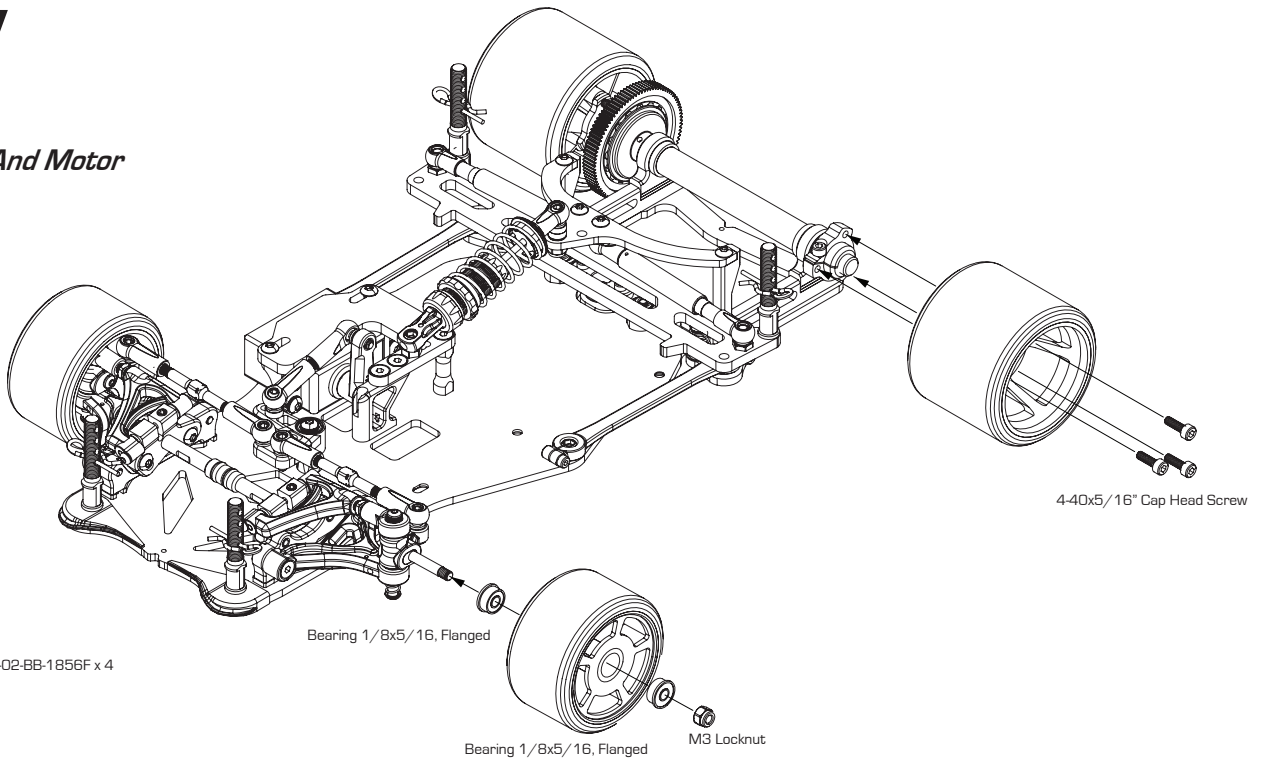
 Lightning12 Plastic Front Bumper D-05-VBC-0112 x 1

 Body Clip B-02-VBC-0076 x 4



11

Install Wheels And Motor



Bearing 1/8x5/16, Flanged C-02-BB-1856F x 4



M3 Locknut C-02-SC-NN03 x 2



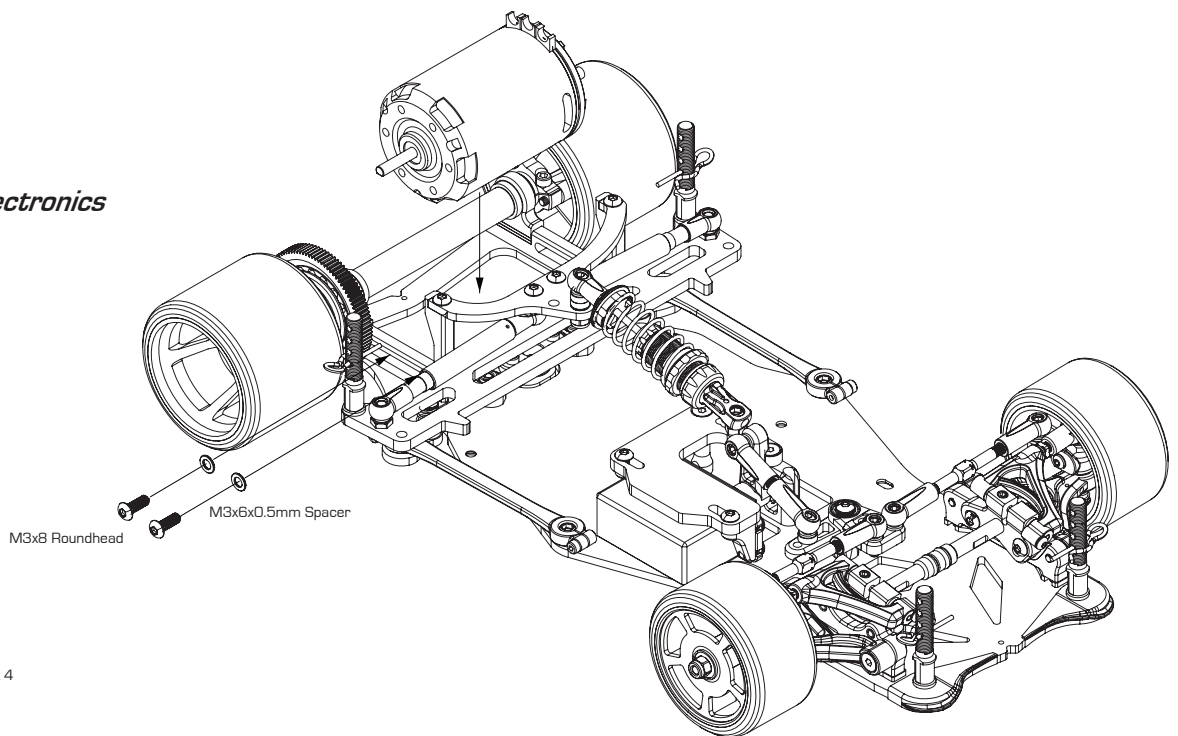
M3.3x0.4 Kingpin Shim C-02-VBC-5069 x 2



4-40x5/16" Cap Head Screw x 6

12

Install Motor And Electronics



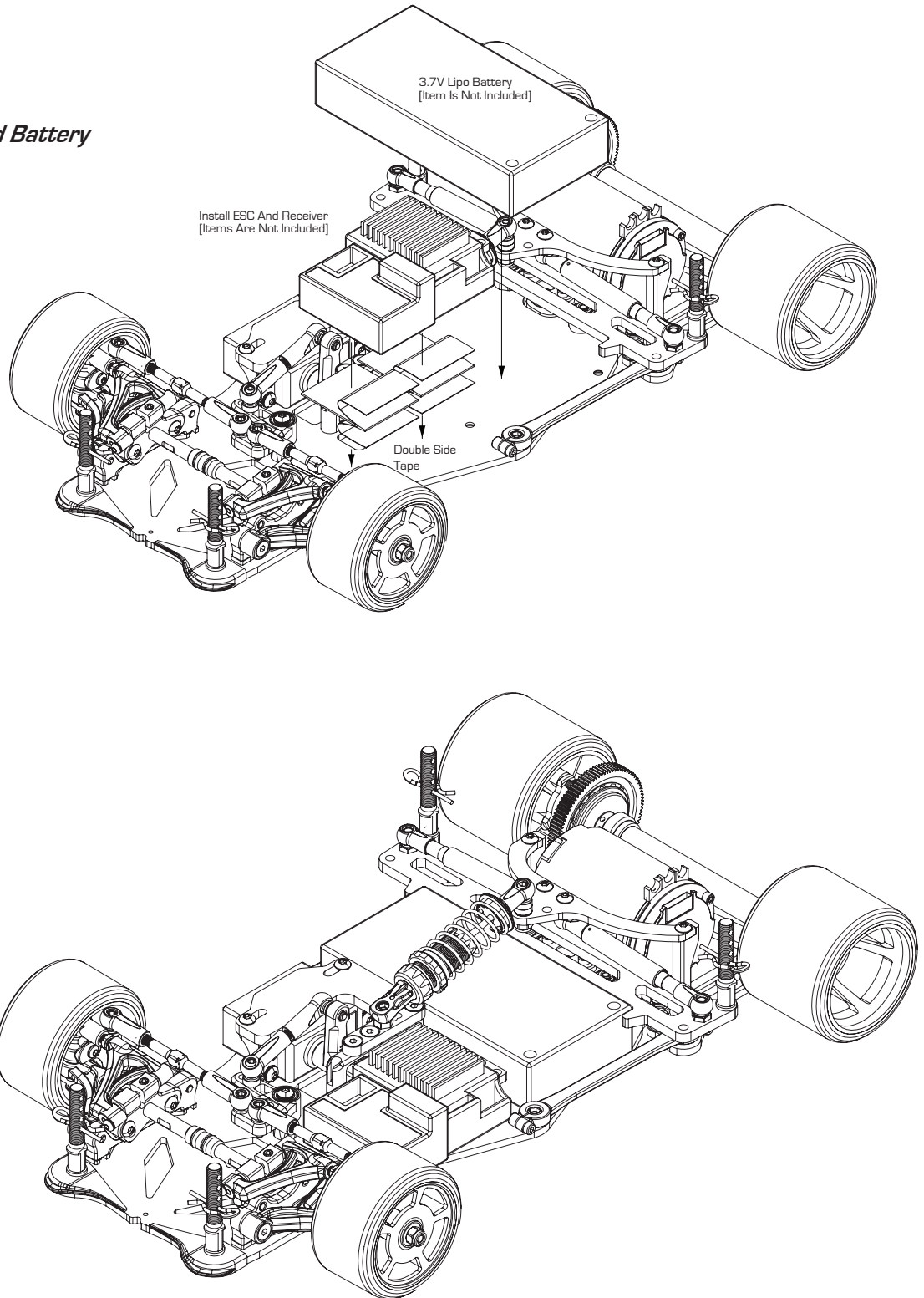
M3x8 Roundhead C-02-SC-R0308 x 2



M3x6x0.5mm Spacer B-02-VBC-5093 x 4

12

Install Electronics And Battery



PARTS LIST



Order Number	Package Descriptions	Parts Number	Parts Descriptions
A-01-VBC-5001	Lightning12 Decals	A-01-VBC-5001	Lightning Decals
A-01-VBC-5002	Lightning12 2.5mm Graphite Main Chassis	A-01-VBC-5002	2.5mm Graphite Main Chassis
A-01-VBC-5003	Lightning12 Alum Shock Mount Brace	A-01-VBC-5003	Alum Shock Mount Brace
A-01-VBC-5004	Lightning12 Shock Mount Plate	A-01-VBC-5004	Shock Mount Plate
B-02-VBC-5005	Lightning12 17mm Aluminum Standoff	B-02-VBC-5005	17mm Aluminum Standoff
A-01-VBC-5006	Lightning12 Graphite Top Plate	A-01-VBC-5006	Graphite Top Plate
D-05-VBC-0101	Pivot Brace for Lightning/Assoc.R5 series	A-03-VBC-5007	Pivot Brace (bottom)
		A-03-VBC-5008	Pivot Brace (cover)
A-03-VBC-5009	Pod Link Set for Lightning/Assoc.R5 series	A-03-VBC-5009	Pod Link
A-03-VBC-1027	Pivot Balls for Lightning/Assoc.R5 series	A-03-VBC-1027	5mm Pivot Ball
D-05-VBC-0102	Body Posts for Lightning/Assoc.R5 series	A-03-VBC-5010	Body Post
		A-03-VBC-5011	Body Height Adjuster
B-02-VBC-0076	Body Clips	B-02-VBC-0076	Body Clips
B-02-VBC-5012	Alum Servo Mount for Lightning/Assoc.R5 series	B-02-VBC-5012	Aluminum Servo Mount
B-02-VBC-5013	Servo Spacer for Lightning/Assoc.R5 series	B-02-VBC-5013	Servo Spacer
B-02-VBC-5014	42mm Turnbuckle BK for Lightning/Assoc.R5 series	B-02-VBC-5014	42mm Turnbuckle, Black
B-02-VBC-5015	Ball Connector 4.7x12mm (5pcs)	B-02-VBC-5015	Ball Connector 4.7x12mm (5pcs)
A-03-VBC-5016	Turnbuckle Cup (Long)	A-03-VBC-5016	Turnbuckle Cup (Long)
B-03-VBC-5017	Servo Saver Set for Lightning/Assoc.R5 series	B-03-VBC-5017	Servo Saver Set
D-05-VBC-0103	Damper Tube Set for Lightning/Assoc.R5 series	B-02-VBC-5018	Damper Tube Shaft
		B-02-VBC-5019	Damper Tube
B-02-VBC-5020	4.7mm Ball Nuts	B-02-VBC-5020	4.7mm Ball Nuts
A-03-VBC-5021	Turnbuckle Cup (Short)	A-03-VBC-5021	Turnbuckle Cup (Short)
D-05-VBC-0104	TBX Center Shock Set for Lightning/Assoc.R5 series	B-02-VBC-5022	TBX Shock Cap
		B-02-VBC-5023	TBX Shock Body
		B-02-VBC-5024	TBX Spring Adjuster
		B-02-VBC-5025	TBX Shock Bottom Cap
		C-02-VBC-5026	Lightning TBX Shock Shaft
		A-02-VBC-5027	TBX Piston (2 Holes)
		A-02-VBC-5028	TBX Piston (3 Holes)
		A-02-VBC-5029	Shock O-ring Guard
		A-02-VBC-5030	Shock Bottom O-ring Guard
		A-02-VBC-5031	TBX Shock Thru Cap
		A-02-VBC-5032	TBX Spring Retainer
		B-02-VBC-5033	Shock Ball End
		C-02-VBC-5034	Lightning TBX Spring (Medium)
		C-02-VBC-5035	M1.5x10 O-ring
		C-02-VBC-5036	M1.0x7.5 O-ring
		C-02-VBC-5037	M2x6 O-ring
		A-03-VBC-1027	5mm Pivot Ball
		B-02-VBC-5015	Ball Connector 4.7x12mm (5pcs)
		C-02-VBC-5038	M1.5 E-Clip
D-05-VBC-0105	TBX Shock Body Set for Lightning/Assoc.R5 series	B-02-VBC-5022	TBX Shock Cap
		B-02-VBC-5023	TBX Shock Body
		B-02-VBC-5024	TBX Spring Adjuster
		B-02-VBC-5025	TBX Shock Bottom Cap
C-02-VBC-5026	TBX Shock Shaft for Lightning/Assoc.R5 series	C-02-VBC-5026	Lightning TBX Shock Shaft
D-05-VBC-0106	TBX Shocks Parts Set for Lightning/Assoc.R5 series	A-02-VBC-5027	TBX Piston (2 Holes)
		A-02-VBC-5028	TBX Piston (3 Holes)
		A-02-VBC-5029	Shock O-ring Guard
		A-02-VBC-5030	Shock Bottom O-ring Guard
D-05-VBC-0107	TBX Plastic Parts Set for Lightning/Assoc.R5 series	A-02-VBC-5031	TBX Shock Thru Cap
		A-02-VBC-5032	TBX Spring Retainer
		B-02-VBC-5033	Shock Ball End
C-02-VBC-5034	TBX Spring (Medium) for Lightning/Assoc.R5 series	C-02-VBC-5034	Lightning TBX Spring (Medium)
C-02-VBC-5035	M1.5x10 O-ring	C-02-VBC-5035	M1.5x10 O-ring
C-02-VBC-5036	M1.0x7.5 O-ring	C-02-VBC-5036	M1.0x7.5 O-ring
C-02-VBC-5037	M2x6 O-ring	C-02-VBC-5037	M2x6 O-ring
C-02-VBC-5038	M1.5 E-Clip	C-02-VBC-5038	M1.5 E-Clip
C-02-VBC-5042	Front Springs (Medium) for Lightning/Assoc.R5 series	C-02-VBC-5042	Front Springs (Medium) for Lightning 1/12
C-02-VBC-5044	Kingpin for Lightning/Assoc.R5 series	C-02-VBC-5044	Lightning12 Kingpin
A-01-VBC-5045	Lightning12 Height Adjust Spacer, 1.5mm	A-01-VBC-5045	Lightning12 Height Adjust Spacer, 1.5mm
A-01-VBC-5048	Lightning12 Front Upper Arm Spacer, 1.5mm	A-01-VBC-5048	Lightning12 Front Upper Arm Spacer, 1.5mm
A-02-VBC-5051	Front Upper Arm for Lightning/Assoc.R5 series	A-02-VBC-5051	Lightning12 Front Upper Arm
A-02-VBC-5052	Front Upper Arm Eyelet for Lightning/Assoc.R5 series	A-02-VBC-5052	Lightning12 Front Upper Arm Eyelet
A-02-VBC-5053	M3x15 Turnbuckle BK for Lightning/Assoc.R5 series	A-02-VBC-5053	M3x15 Turnbuckle, Black
C-02-VBC-5054	2mm Upper Pin for Lightning/Assoc.R5 series	C-02-VBC-5054	2mm Upper Hinge Pin
D-05-VBC-0110	Caster Spacer Set for Lightning/Assoc.R5 series	A-01-VBC-5055	Lightning12 Caster Spacer. 0.8mm
		A-01-VBC-5056	Lightning12 Caster Spacer. 1.2mm

PARTS LIST



Order Number	Package Descriptions	Parts Number	Parts Descriptions
B-02-VBC-5057	Aluminum Upper Arm Mount for Lightning/Assoc.R5 series	B-02-VBC-5057	Lightning12 Aluminum Upper Arm Mount
D-05-VBC-0111	Steering Knuckles for Lightning/Assoc.R5 series	A-02-VBC-5058	Lightning12 Steering Knuckle, Left
		A-02-VBC-5059	Lightning12 Steering Knuckle, Right
B-02-VBC-5060	Lightning12 Front Axles	B-02-VBC-5060	Lightning12 Front Axle
A-01-VBC-5061	Graphite Hinge Brace 55mm for Lightning/Assoc.R5 series	A-01-VBC-5061	Graphite Hinge Pin Brace, 55mm
B-02-VBC-5065	Alum Front Bulkhead L for Lightning/Assoc.R5 series	B-02-VBC-5065	Lightning12 Alum Front Bulkhead, Left
B-02-VBC-5066	Alum Front Bulkhead R for Lightning/Assoc.R5 series	B-02-VBC-5066	Lightning12 Alum Front Bulkhead, Right
A-02-VBC-5067	Front Lower Arm for Lightning/Assoc.R5 series	A-02-VBC-5067	Lightning12 Front Lower Arm
B-02-VBC-5068	Pivot Ball for Lightning/Assoc.R5 series	B-02-VBC-5068	Pivot Ball
C-02-VBC-5069	King Pin Shim, M3.3x0.4 for Lightning/Assoc.R5 series	C-02-VBC-5069	Lightning12 King Pin Shim, M3.3x0.4 (20pcs)
D-05-VBC-0112	Lightning12 Plastic Front Bumper	A-02-VBC-5070	Lightning12 Plastic Front Bumper, Left
		A-02-VBC-5071	Lightning12 Plastic Front Bumper, Right
A-01-VBC-5072	Lightning12 Graphite Chassis Brace	A-01-VBC-5072	Lightning12 Graphite Chassis Brace
A-03-VBC-1047	Side Spring Set for Lightning/Assoc.R5 series	A-03-VBC-1047	Side Spring (Soft)
		A-03-VBC-1047	Side Spring (Medium)
		A-03-VBC-1047	Side Spring (Hard)
B-02-VBC-5073	14mm Aluminum Standoff	B-02-VBC-5073	14mm Aluminum Standoff
B-02-VBC-5074	Alum Side Spring Retainer for Lightning/Assoc.R5 series	B-02-VBC-5074	Aluminum Side Spring Retainer
D-05-VBC-0113	Ball Differential Complete Set for Lightning/Assoc.R5 series	C-02-BB-3814F	Bearing, 3/8 x 1/4, Flanged
		C-02-BB-3814	Bearing, 3/8 x 1/4
		A-02-VBC-5075	M4 Nylon Nuts
		C-02-VBC-5076	Bevelled Washer
		C-02-VBC-5077	Xenon 64 Pitch 93T Spur Gear
		B-02-VBC-5078	Carbon Rear Axle
		B-02-VBC-5079	Aluminum Wheel Hub, Left
		C-02-SC-R2508	M2.5x8mm Cap Head Screw
		B-02-VBC-5080	Aluminum Diff Hub
		B-02-VBC-5081	Thrust Cone
		C-02-DB-0801	1/8" Ceramic Diff Balls
		B-02-VBC-1001	D-Drive Ring
		B-02-VBC-5082	Diff Seal O-ring
A-02-VBC-5075	M4 Nylon Nuts for Lightning/Assoc.R5 series	A-02-VBC-5075	M4 Nylon Nuts
C-02-VBC-5076	Bevelled Washer	C-02-VBC-5076	Belleville Washer
C-02-VBC-5077	64 Pitch 93T Spur Gear for Lightning/Assoc.R5 series	C-02-VBC-5077	64 Pitch 93T Spur Gear
B-02-VBC-5078	Carbon Rear Axle for Lightning/Assoc.R5 series	B-02-VBC-5078	Lightning12 Carbon Rear Axle
B-02-VBC-5079	Alum Wheel Hub L for Lightning/Assoc.R5 series	B-02-VBC-5079	Lightning12 Aluminum Wheel Hub, Left
B-02-VBC-5080	Alum Diff Hub for Lightning/Assoc.R5 series	B-02-VBC-5080	Lightning12 Aluminum Diff Hub
B-02-VBC-5081	Thrust Cone for Lightning/Assoc.R5 series	B-02-VBC-5081	Thrust Cone
C-02-DB-0801	1/8" Ceramic Diff Balls for Lightning/Assoc.R5 series	C-02-DB-0801	1/8" Ceramic Diff Balls
B-02-VBC-1001	Diff Drive Ring for Lightning/Assoc.R5 series	B-02-VBC-1001	Diff Drive Ring
B-02-VBC-5082	Diff Seal O-ring	B-02-VBC-5082	Diff Seal O-ring
A-01-VBC-5083	Lightning12 Graphite Lower Pod Plate	A-01-VBC-5083	Lightning12 Graphite Lower Pod Plate
A-01-VBC-5084	Lightning12 Graphite Upper Pod Plate	A-01-VBC-5084	Lightning12 Graphite Upper Pod Plate
C-02-BB-1856F	Bearing 1/8 x 5/16, Flanged for Lightning/Assoc.R5 series	C-02-BB-1856F	Bearing 1/8 x 5/16, Flanged
C-02-BB-3814	Bearing, 3/8 x 1/4 for Lightning/Assoc.R5 series	C-02-BB-3814	Bearing, 3/8 x 1/4
C-02-BB-3814F	Bearing, 3/8 x 1/4, Flanged for Lightning/Assoc.R5 series	C-02-BB-3814F	Bearing, 3/8 x 1/4, Flanged
D-05-VBC-0114	Lightning12 Axle Height Adjuster	A-02-VBC-5085	Axle Height Adjuster, #1
		A-02-VBC-5086	Axle Height Adjuster, #2
		A-02-VBC-5087	Axle Height Adjuster, #3
		A-02-VBC-5088	Axle Height Adjuster, #4
B-02-VBC-5089	Lightning12 Aluminum Right Bulkhead	B-02-VBC-5089	Lightning12 Aluminum Right Bulkhead
B-02-VBC-5090	Lightning12 Aluminum Left Bulkhead	B-02-VBC-5090	Lightning12 Aluminum Left Bulkhead
A-01-VBC-5091	Lightning12 Graphite Motor Mount Brace	A-01-VBC-5091	Lightning12 Graphite Motor Mount Brace
A-02-VBC-5092	Ball Connector 4.7x17mm	A-02-VBC-5092	Ball Connector 4.7x17mm
B-02-VBC-0019-20	3x5.5x2 Alum Spacer	B-02-VBC-0019-20	3x5.5x2 Alum Spacer
B-02-VBC-0019-10	3x5.5x1 Alum Spacer	B-02-VBC-0019-10	3x5.5x1 Alum Spacer
C-02-SC-C0440	4-40x5/16" Cap Head Screw	C-02-SC-C0440	4-40x5/16" Cap Head Screw
C-02-SC-R2504	M2.5x4mm Roundhead Screw	C-02-SC-R2504	M2.5x4mm Roundhead Screw
C-02-SC-R2508	M2.5x8mm Cap Head Screw	C-02-SC-R2508	M2.5x8mm Cap Head Screw
C-02-SC-R2.0x6	M2.0x6mm Cap Head Screw	C-02-SC-R2.0x6	M2.0x6mm Cap Head Screw
C-02-SC-R2.0x8	M2.0x8mm Cap Head Screw	C-02-SC-R2.0x8	M2.0x8mm Cap Head Screw
C-02-SC-R0204	M2x4mm Roundhead Screw	C-02-SC-R0204	M2x4mm Roundhead Screw
C-02-SC-NN03	M3 Locknut	C-02-SC-NN03	M3 Locknut
B-02-VBC-5093	M3x6x0.5 Spacer	B-02-VBC-5093	M3x6x0.5 Spacer
C-02-SC-F0310	M3x10mm Flathead Screw	C-02-SC-F0310	M3x10mm Flathead Screw
C-02-SC-R0310	M3x10mm Roundhead Screw	C-02-SC-R0310	M3x10mm Roundhead Screw
C-02-SC-F0312	M3x12mm Flathead Screw	C-02-SC-F0312	M3x12mm Flathead Screw
C-02-SC-F0306	M3x6mm Flathead Screw	C-02-SC-F0306	M3x6mm Flathead Screw
C-02-SC-R0306	M3x6mm Roundhead Screw	C-02-SC-R0306	M3x6mm Roundhead Screw
C-02-SC-F0308	M3x8mm Flathead Screw	C-02-SC-F0308	M3x8mm Flathead Screw
C-02-SC-R0308	M3x8mm Roundhead Screw	C-02-SC-R0308	M3x8mm Roundhead Screw
C-02-SC-SS-0308	M3x8mm Set Screw	C-02-SC-SS-0308	M3x8mm Set Screw



COMPETITION GRADE HIGH PERFORMANCE RADIO CONTROL RACING CAR CHASSIS KIT

LIGHTNING 12M

1/12 SCALE ELECTRIC COMPETITION CAR KIT

Instruction Book P01-P-51097 VBC Racing Lightning12M Car Kit D-05-VBC-CK18