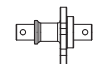

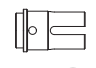

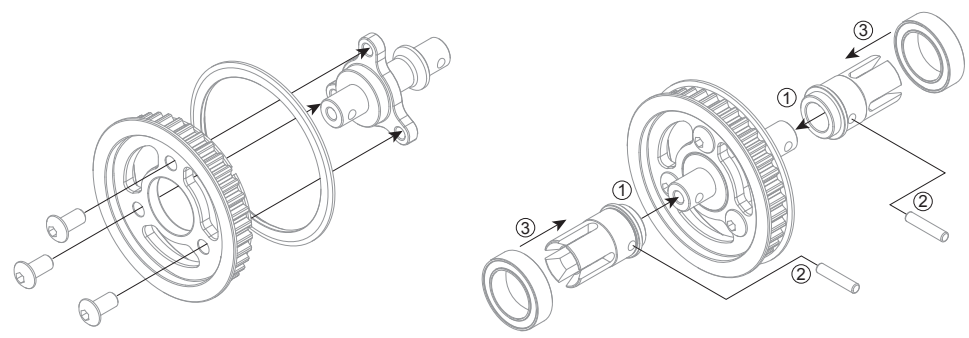
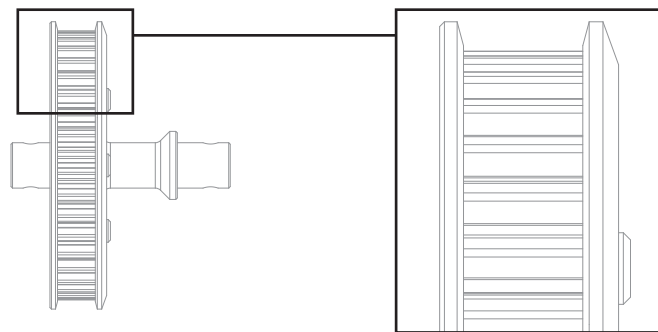


-  **R102003**
Spool Axle Alu
-  **R10102A**
Front Spool Pulley Set 38T
-  **R103001**
Spool Outdrive (2pcs)
-  **R111160**
R11 Eccentric Hub (4)
(1pcs) (4pcs)




Pulley cover direction

Please make sure the pulley cover is oriented with the bevel side out.



-  **R105104**
3x6 Round Screw (10)

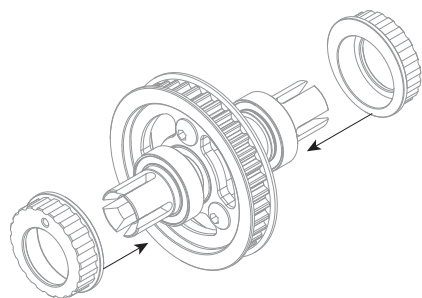
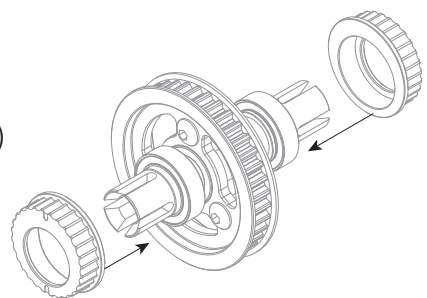
-  **R106101**
Ø2x9.8 Pin (10)

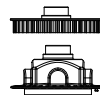
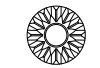
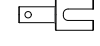




- R106021**
10x15x4mm
Ball Bearing (4)

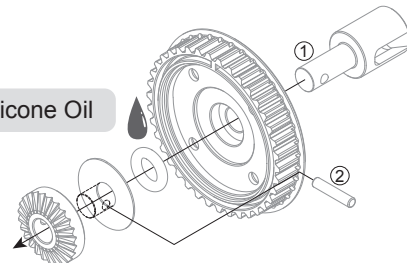
Option parts (Not Included)

-  **R112053**
R11 Eccentric Hub-Alu (4)

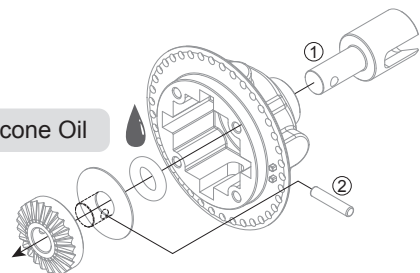


-  **R10102E**
Rear Diff Case
-  **R101110**
Diff Gears (with Axle)
-  **R102001**
Gear Diff Outdrive Alu
-  **R103024**
Gear Diff Shim Big (4)
-  **R104006**
O-ring 5x2 (4)

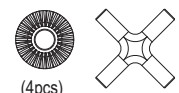
Apply Silicone Oil



Apply Silicone Oil



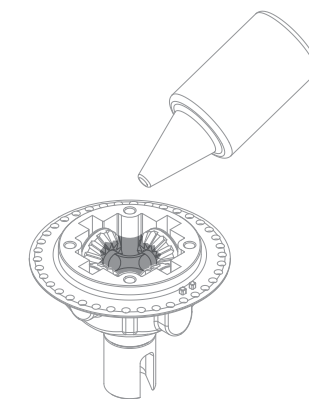
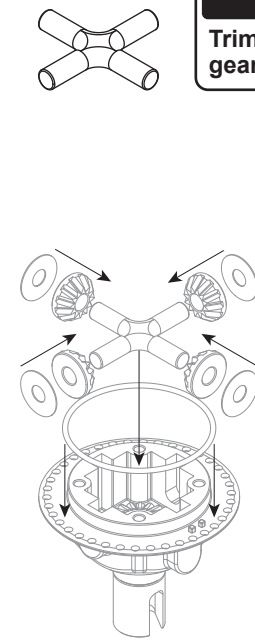
-  **R106101**
Ø2x9.8 Pin (10)

-  **R101110**
Diff Gears (with Axle)
(4pcs)

-  **R103023**
Gear Diff Shim small (8)

-  **R104005**
O-ring 26x1 (2)

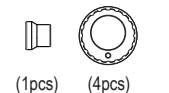
NOTICE
Trim any excess flashing from the diff gear axle at the mold injection point.



Silicone Oil #1000

Fill oil to top of axle as pictured here

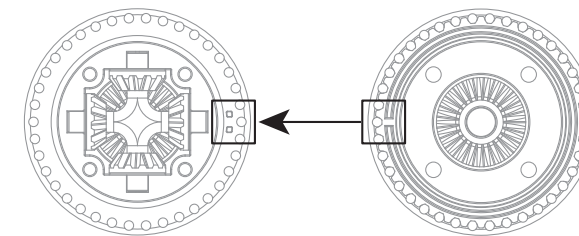
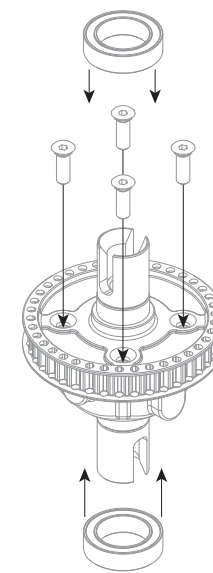
NOTICE
We recommend using 1.5 grams of silicone diff oil.

-  **R111160**
R11 Eccentric Hub (4)
(1pcs) (4pcs)

-  **R105201**
2.5x8mm Flat Screw (10)



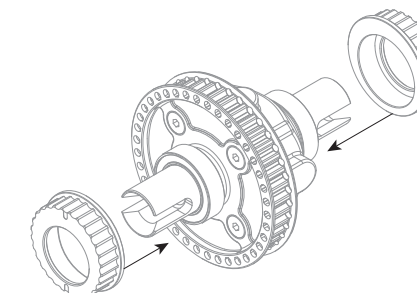
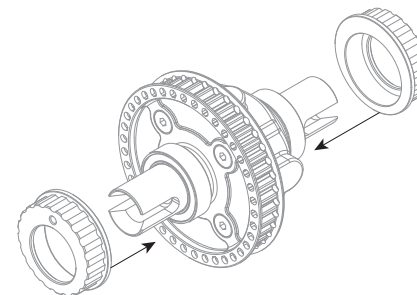
- R106021**
10x15x4mm
Ball Bearing (4)



NOTICE
Diff case direction needs to match as below.

Option parts (Not Included)

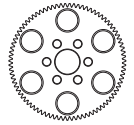
-  **R112053**
R11 Eccentric Hub-Alu (4)



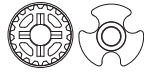
BAG 01



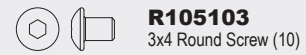
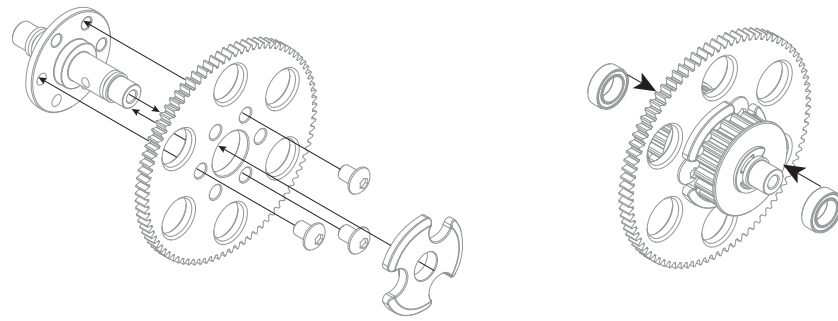
R102004
Spur Axle Alu



R104101
CNC Spur 84T(48dp)



R10102C
19T Belt Pulley Set (2)



R105103
3x4 Round Screw (10)



R106002
5x8x2.5mm
Ball Bearing (4)



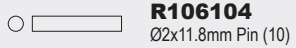
BAG 01



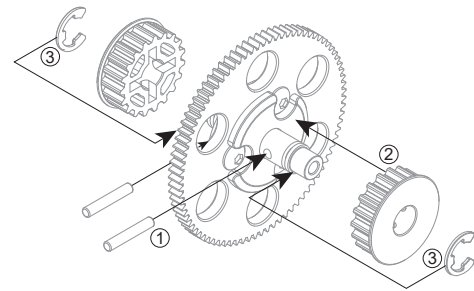
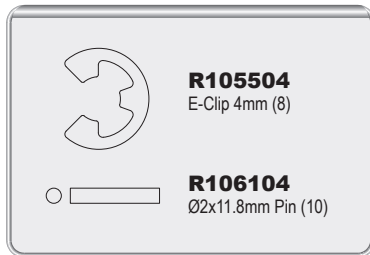
R10102C
19T Belt Pulley Set (2)



R105504
E-Clip 4mm (8)



R106104
Ø2x11.8mm Pin (10)



Initial Position

Initial Position

Default Setup

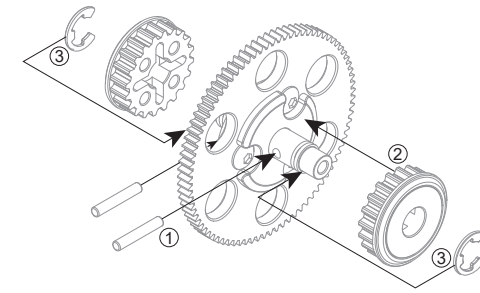


R11 2018 Internal Gear Ratio in 2.0 (19T/38T)
(More Torque and acceleration)

BAG 01



R112080
20T Center Pulley-Alu (2)



Initial Position

Initial Position



R11 2018 Internal Gear Ratio in 1.9 (20T/38T)
(Smoother acceleration)

BAG 02



R104013
O-ring 13x1 (2)



R112032
R11 Shock Adj Nut-Black (2)



R112030
R11 Shock Low Cap-Black (2)



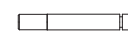
R104002
O-ring 3x2 (4)



R104015
Shock Shaft Shim (4)



R112033
Shock Body Short-MC (2)



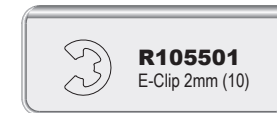
R103019
Shock Shaft Short (2)



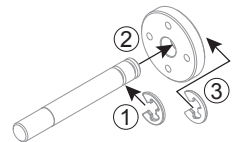
R104018
Shock Piston Big Bore 1.1mm x4 (4)



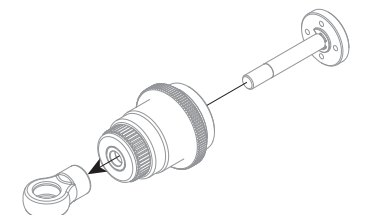
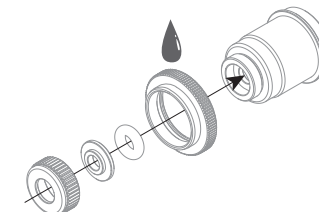
R105501
E-Clip 2mm (10)



Apply shock oil before assembly



Apply shock oil before assembly



Front (Short)



Rear (Long)



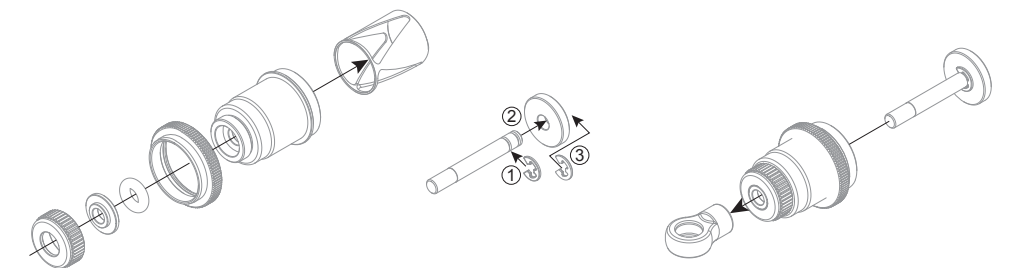
Option parts (Not Included)



R114010
PDS Piston (2)



R112034
PDS Cylinder (2)

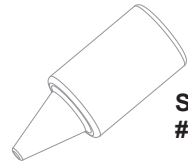


The PDS (Progressive Damper System) uses a specially designed cylinder sleeve to create progressive damping throughout the suspension movement.

BAG 02



R112031
R11 Shock Cap-Black (2)

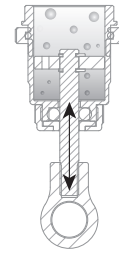


Silicone Oil #500

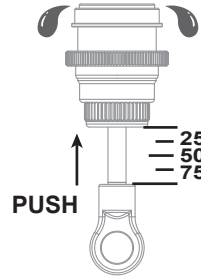
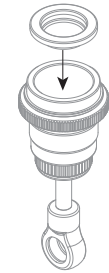


R104016
Shock Membrane Big Bore (4)

Fill the shock oil to the top of the shock body

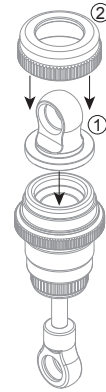


Move the shaft up and down to let the air escape from the oil



To adjust the rebound amount of the shock, push the shock shaft in to the required level to remove excess oil during assembly

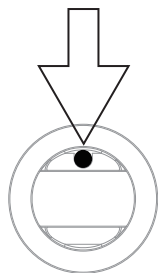
25%
50%
75%



BAG 02



R101130
Shock Ball Joint Set Big Bore



Drill the shock cap here to help provide zero rebound and softer dampening (optional setting)



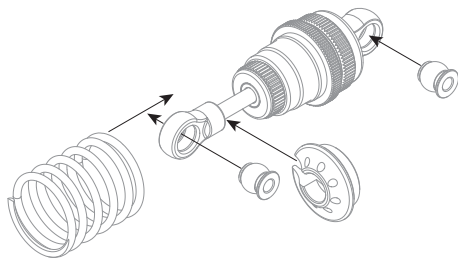
R103027
5.8mm Ball End Short (4)



R107042
Front Shock Spring short (Yellow) (2)



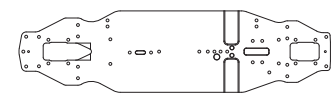
R107043
Rear Shock Spring short (Green) (2)



FRONT (Short) Set to 57mm	REAR (Long) Set to 58.5mm
R107042 (Yellow)	R107043 (Green)
57mm	58.5mm
Short	Long

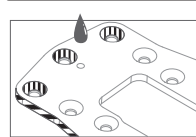
Build shocks to the following lengths.

BAG 03

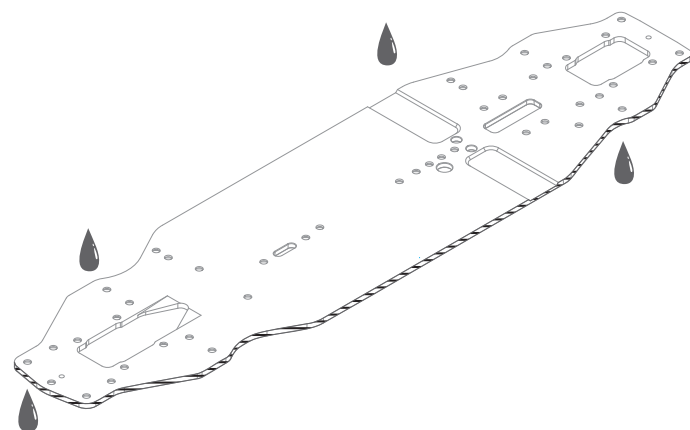


R118100
R11 2018 2.25mm Carbon Chassis

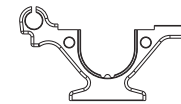
NOTICE



Apply CA Glue to the chassis edges and front bumper screws as highlighted.



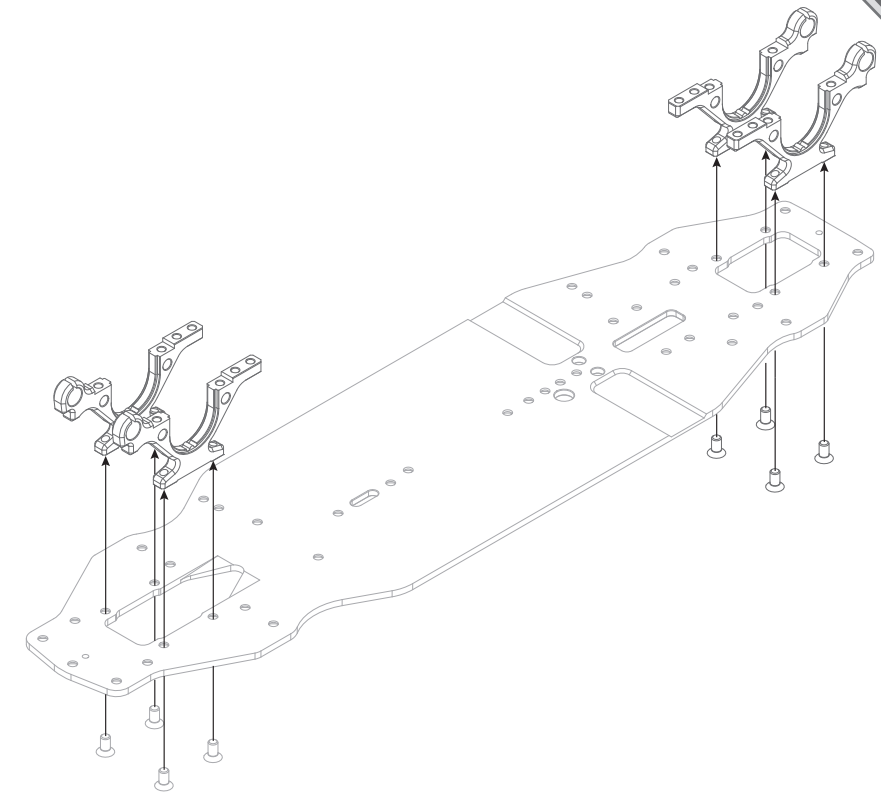
BAG 03



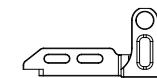
R112100
R11 2017 Low Bulkhead



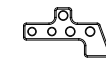
R105203
3x6mm Flat Screw (10)



BAG 03



R112057
R11 2017 Motor Bulkhead-Left



R112006
R11 Motor Bulkhead Mount Plate



R112200
R11 Suspension Block RF



R113011
R11 Roll Center Shims-Narrow 0.5mm (4)

Option parts (Not Included)



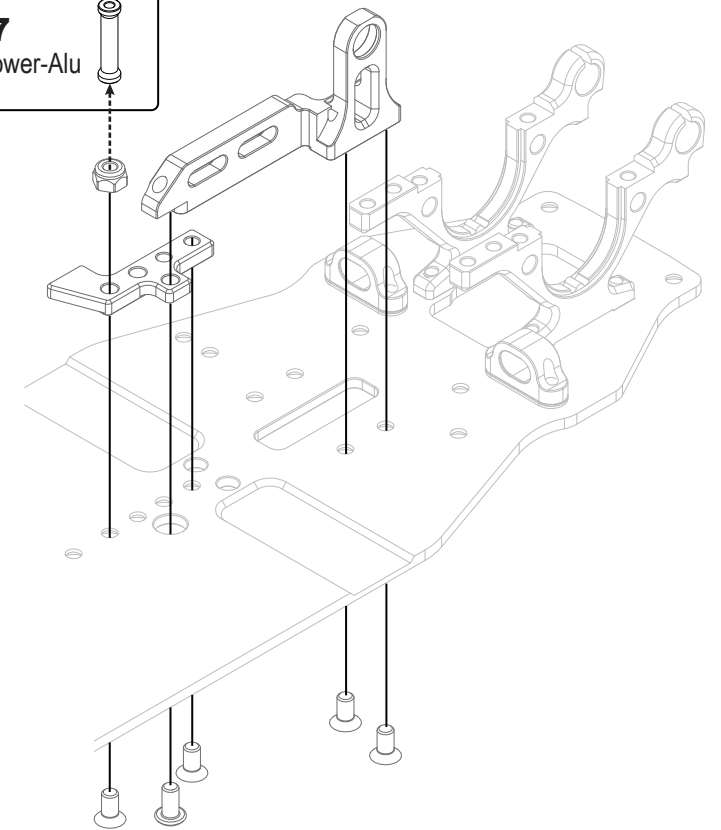
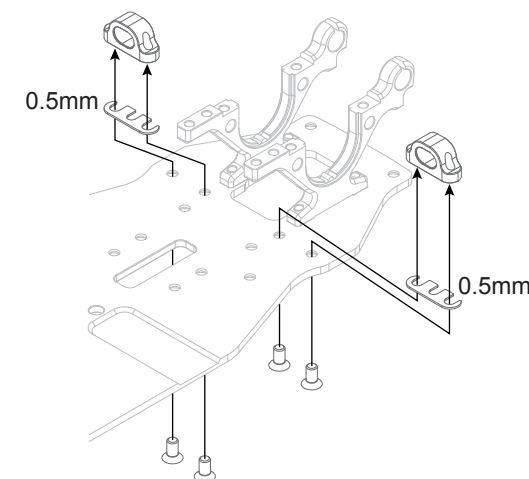
R113010
R11 Roll Center Shims-Narrow 0.3mm (4)

Option parts (Not Included)

(Not Included)



R112007
R11 Center Tower-Alu



R105104
3x6 Round Screw (10)



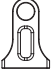


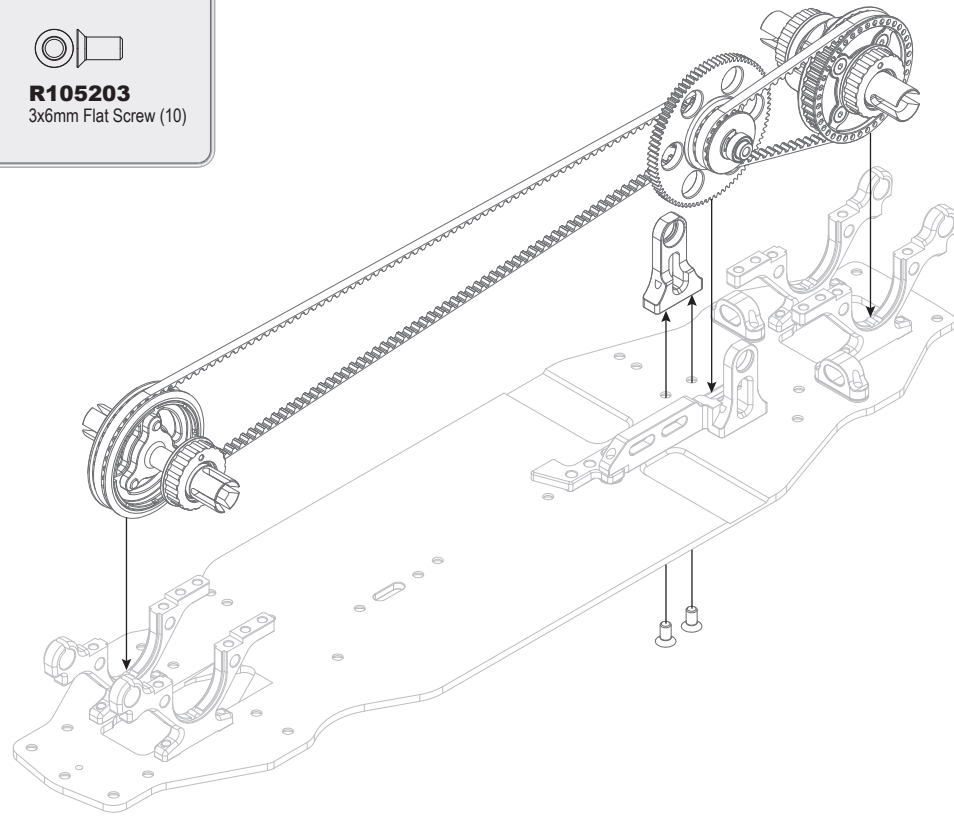
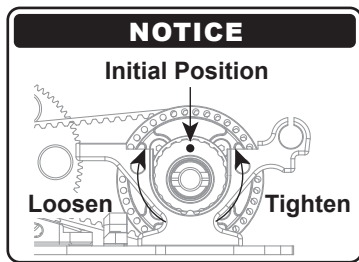
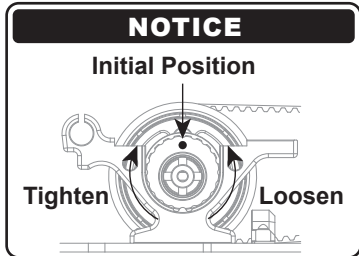
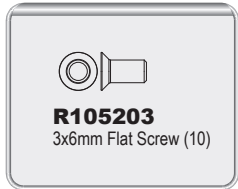
R105203
3x6mm Flat Screw (10)



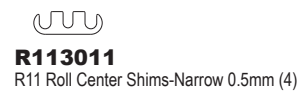
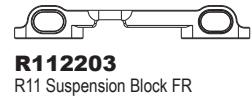
R115001
3mm Nylon Nut-Black Alu (4)

BAG 03

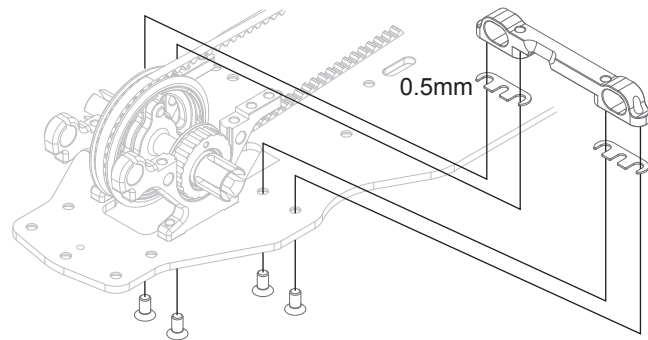
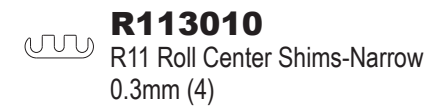
-  **R104051**
R10 Rear Belt Rubber 3mm
-  **R114001**
R11 Front Belt Rubber 3mm
-  **R112056**
R11 2017 Motor Bulkhead-Right



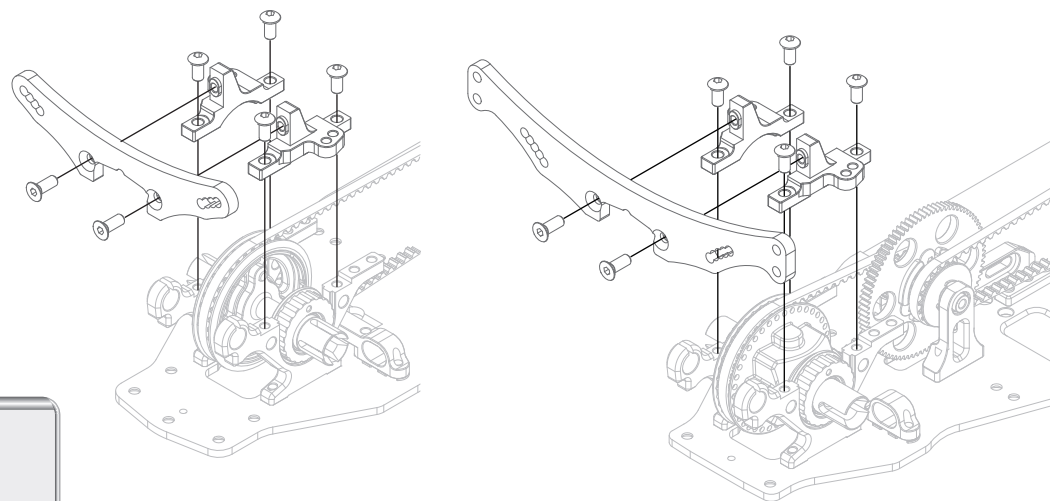
BAG 03



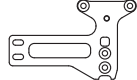
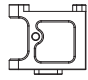

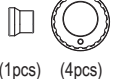
Option parts (Not Included)

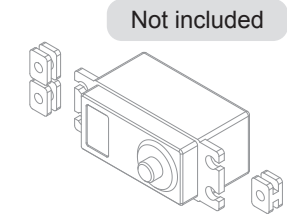


BAG 03



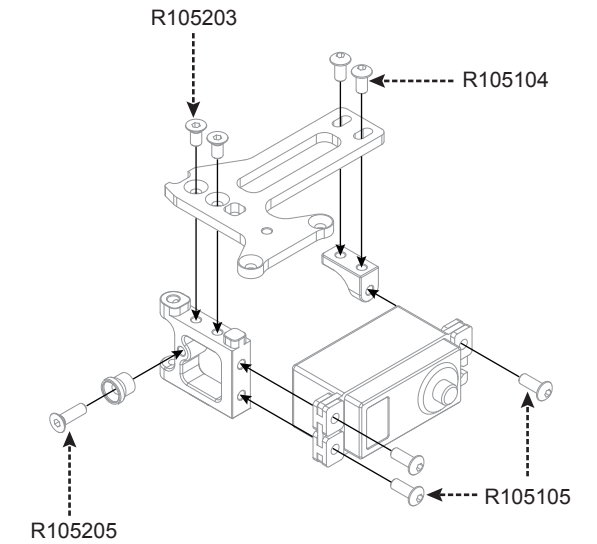
BAG 04

-  **R118013**
R11 Floating Servo Mount
-  **R112008**
R11 Servo Mount Base
-  **R112009**
R11 Servo Mount-Left
-  **R111160**
R11 Eccentric Hub (10)
(1pcs) (4pcs)

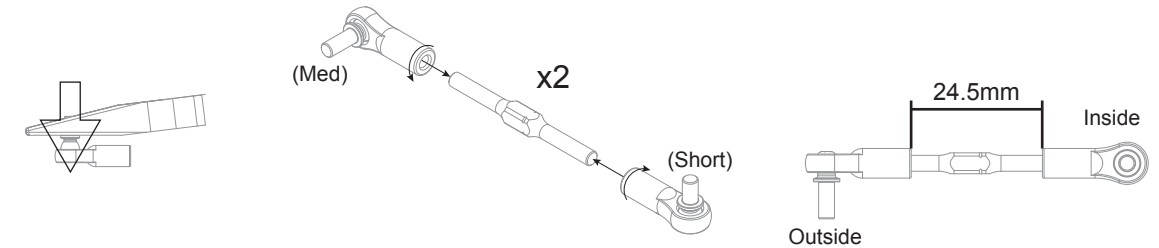
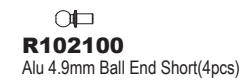


NOTICE
It is recommended to use servo mount rubber.

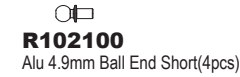
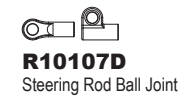
- R105205**
3x10mm Flat Screw (10)
- R105203**
3x6mm Flat Screw (10)
- R105104**
3x6 Round Screw (10)
- R105105**
3x8 Round Screw (10)



BAG 04



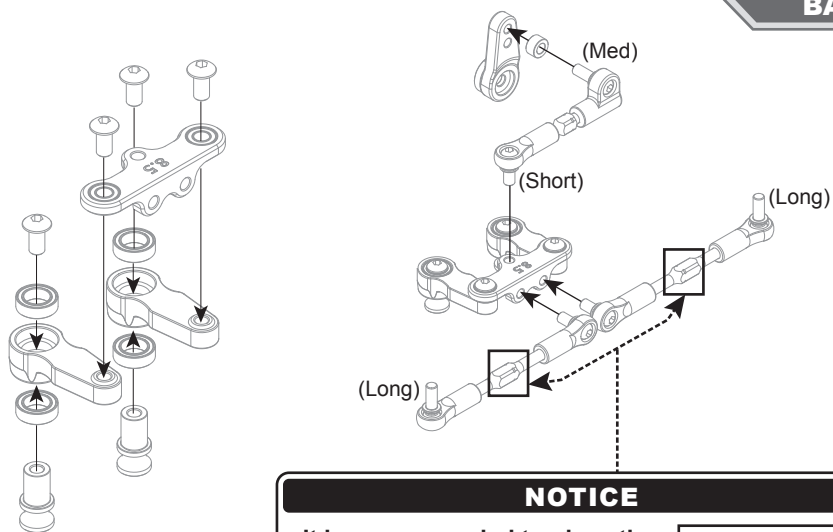
BAG 04



R101060
Servo Horn dual steering arm

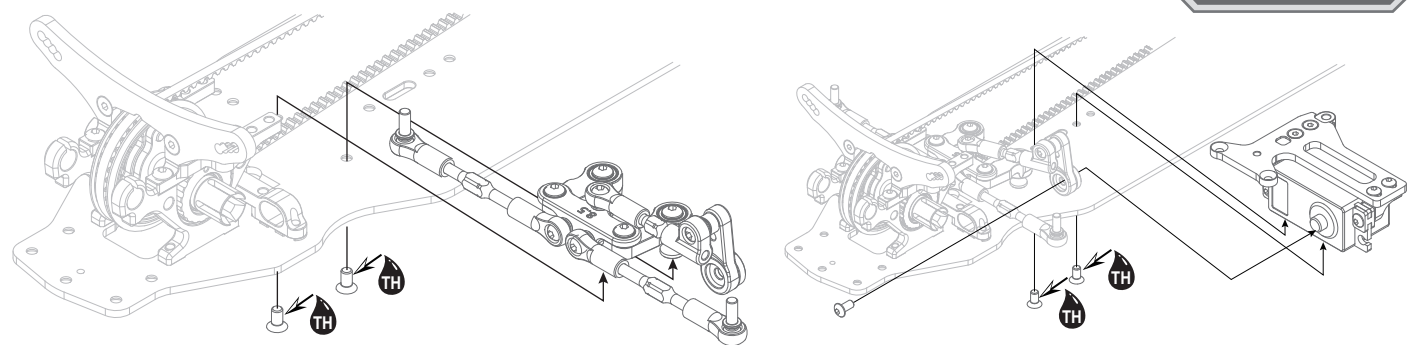
R112040
Steering Plate 8.5

R103006
Steering Shaft (2)



- R105104**
3x6mm Round Screw (10)
- R102017**
3x5.5x3mm Alu Shims (4)
- R106010**
5x8x2.5mm Ball Bearing (4)

NOTICE
It is recommended to place the notch on each turnbuckle to the right side, which will make it easier to adjust camber and toe.



NOTICE
Apply thread locking compound here.

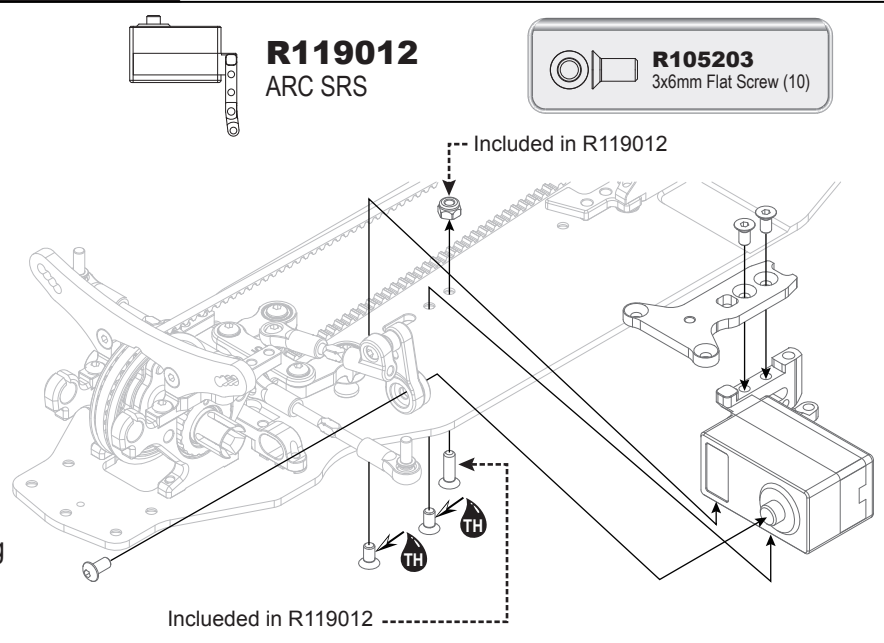
- R105203**
3x6mm Flat Screw (10)
- R105104**
3x6mm Round Screw (10)

Option parts R119012 ARC SRS (Not Included)

The ARC SRS comes with 5 cm all black color servo lead. It will make a neat and clean looking wiring layout. The unique full aluminium case combines with the servo mount helps racers to install this servo easily and precisely with 10g of weight reduction from the original servo mount.
Servo Speed : 0.07 sec/60°
Servo Torque : 9.0 kg/cm
Brushless motor with Digital 4096 resolution controller unit.

R118014
SRS Floating Steering plate

When using the SRS, you can choose to use the optional R118014 Floating steering plate for further weight reductions and a cleaner look.



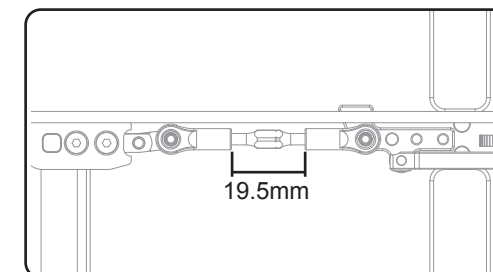
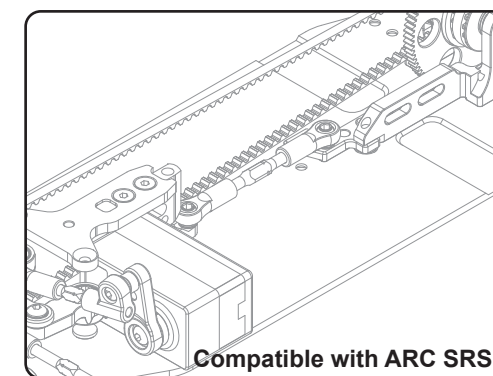
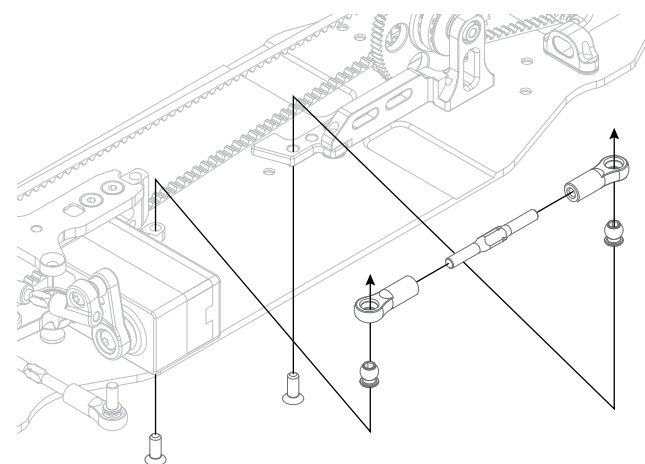
Included in R119012

Option parts R119010 (Not Included)

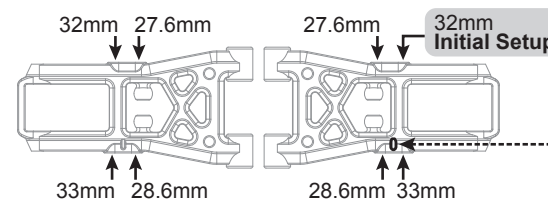
R119010

Chassis Brace

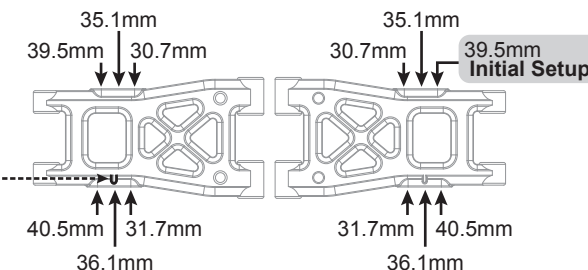
The Chassis brace was designed to increase chassis straightness during accelerate, it will increase on-power response of the car especially in high traction track.



When assembling the front and rear arms, please pay attention to these notches for correct orientation.



Front lower arms have 4 different shock positions. Make sure left and right sides are both symmetrical during assembly.



Rear lower arms have 6 different positions for shocks and anti-roll bars. Make sure left and right sides are symmetrical during assembly.

R10107A
Ball Joint 4.9mm open (6)

R10107C
Anti-Roll Bar Joint (4)

R102101
Alu 4.9mm Ball End Med(4pcs)

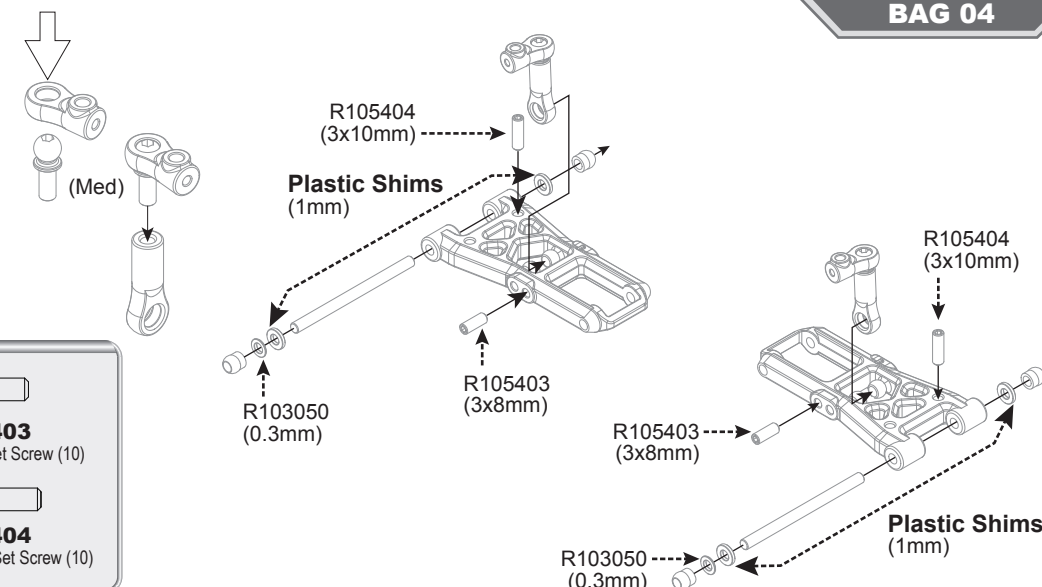
R103008
Ball 5mm (4)

R103050
3x5x0.3mm Shims (10)

R101101
Low Arm F/R Set (Hard)

R103040
Pivot Pin Inner-Short (2)

- R105403**
3x8mm Set Screw (10)
- R105404**
3x10mm Set Screw (10)



BAG 04



R112202
R11 Suspension Block FF



R111020
Suspension Insert #0-#+2



R113013
R11 Roll Center Shims 0.5mm (4)

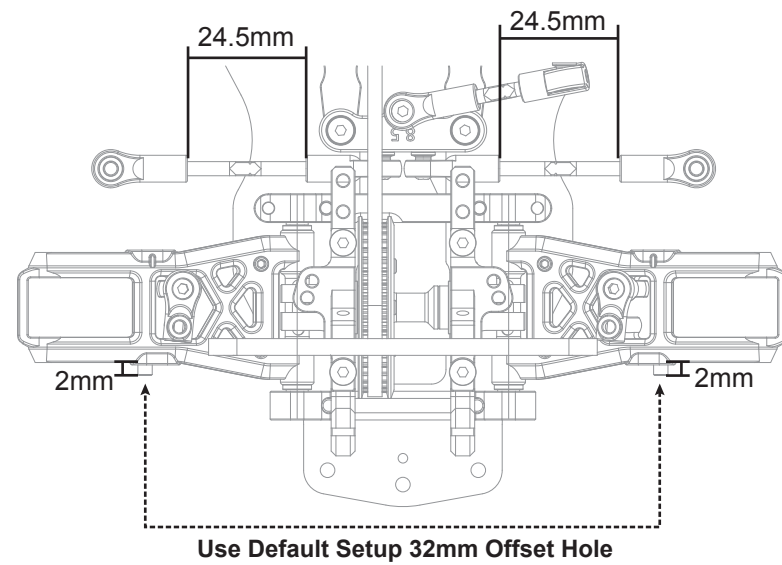
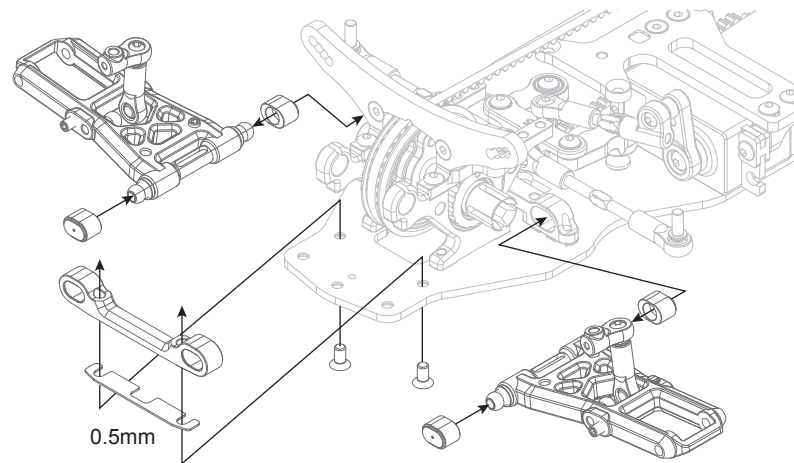
Option parts (Not Included)



R113012
R11 Roll Center Shims
0.3mm (4)



R105203
3x6mm Flat Screw (10)



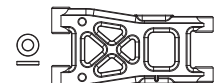
R10107A
Ball Joint 4.9mm open (6)

R102101
Alu 4.9mm Ball End Med(4pcs)

R102100
Alu 4.9mm Ball End Short(4pcs)

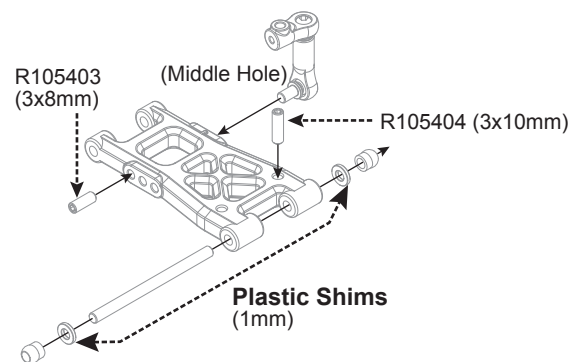
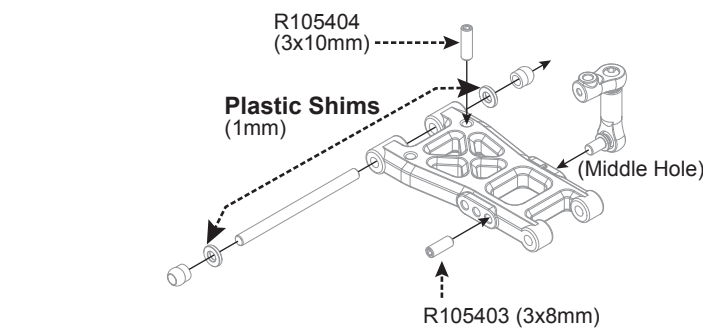
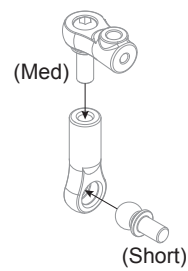
R103008
Ball 5mm (4)

R103040
Pivot Pin Inner-Short (2)

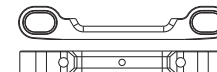


R101101
Low Arm F/R Set (Hard)

R105403 3x8mm Set Screw (10) **R105404** 3x10mm Set Screw (10)



BAG 04



R112201
R11 Suspension Block RR

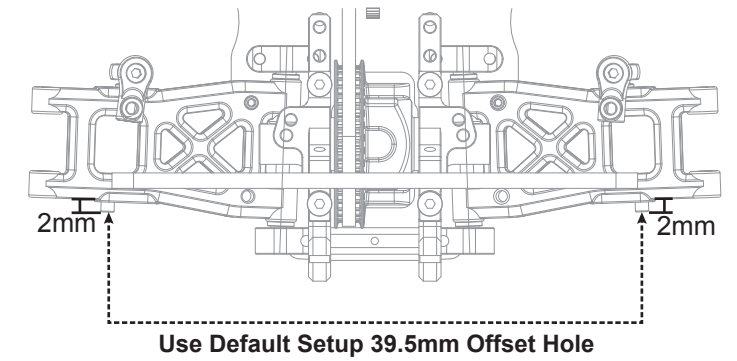
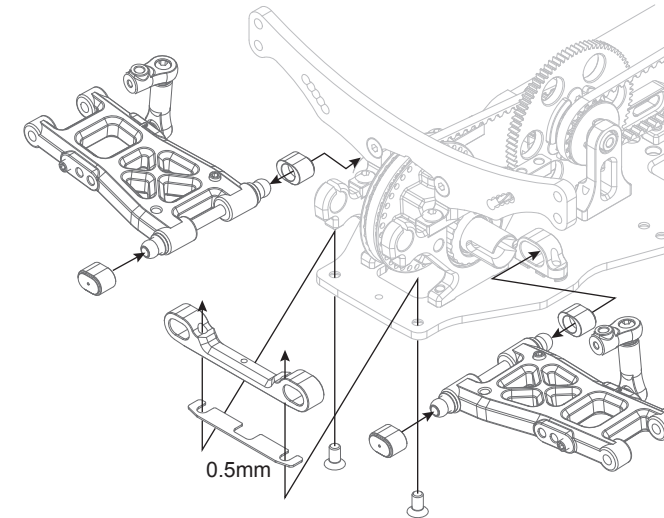


R113013
R11 Roll Center Shims 0.5mm (4)



R111020
Suspension Insert #0-#+2

R105203
3x6mm Flat Screw (10)



BAG 05

R107001
CDV G-Clip (8)

R103002
Wheel Axle (2)

R112024
CVD Rear 42.5mm-Alu (2)

R109009
D.J CVD Set (Spring Steel) (2set)

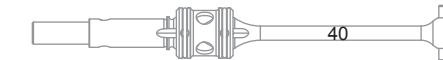
R103005
CVD Insert (2)

R101030
C Cap 3.5mm

R102005
Hex Wheel Hub Alu (2pcs)

R109036
Hard Steering Block (2pcs)

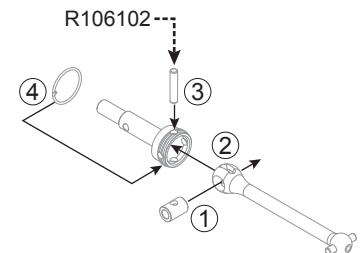
R109037
Hard Rear Upright (2pcs)



Front 40 DJ CVD

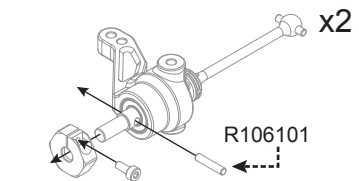
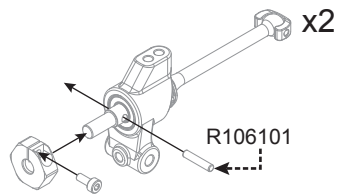
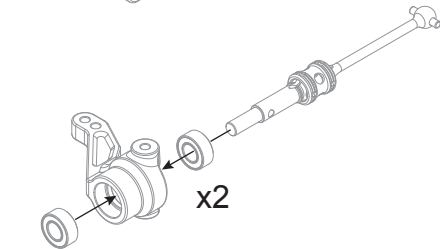
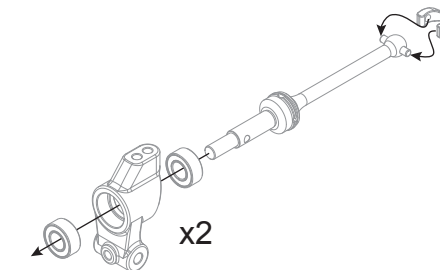


Rear Aluminum 42.5 CVD



R105401 3x3mm Set Screw (10) **R106012** 5x10x4mm Ball Bearing (4)

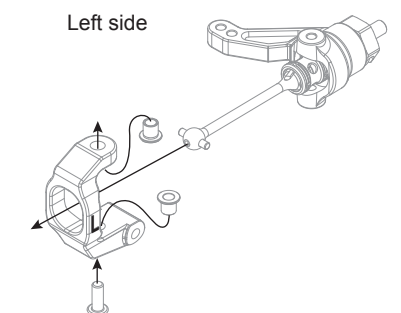
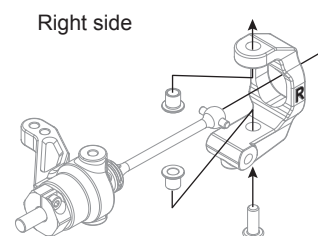
R106101 Ø2x9.8mm Pin (10) **R106102** Ø2x10mm Pin (10)



R101080
C-Hub 4 Right + Left






R103007
Steering Block Bushing (4)

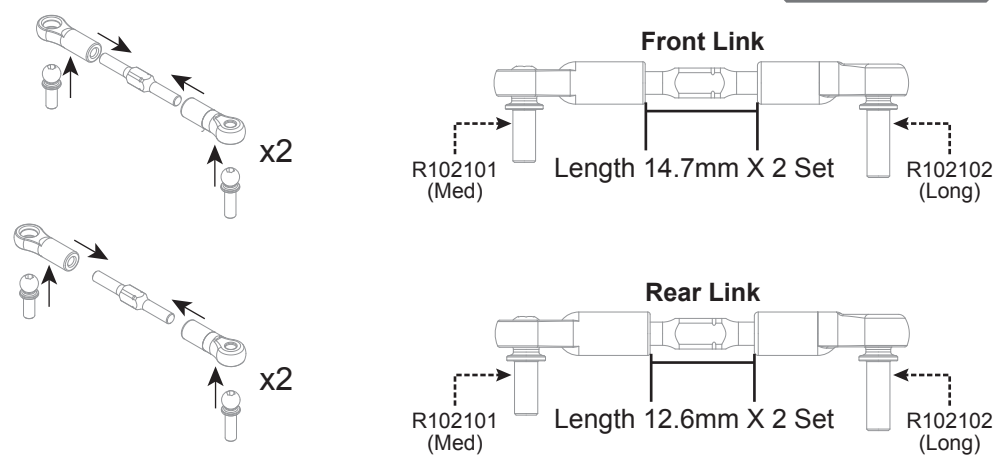
R105105
3x8mm Round Screw (10)





BAG 05

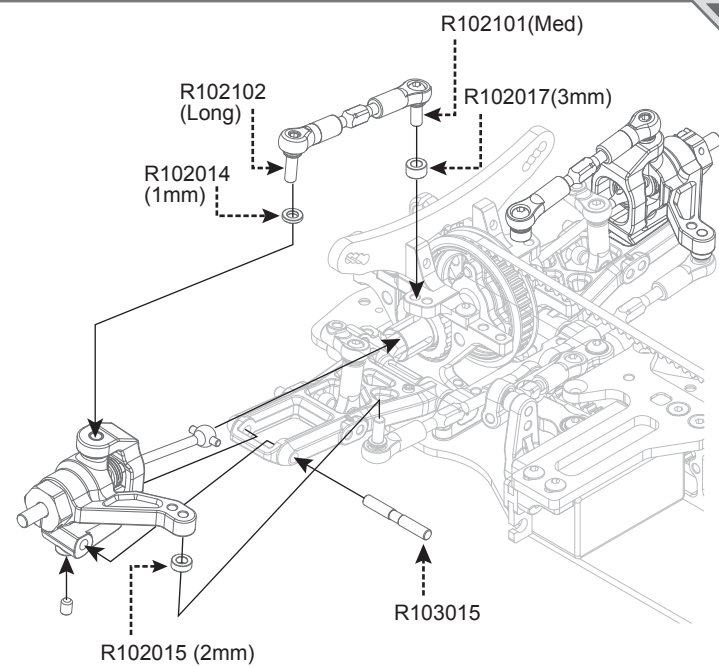
BAG 05

-  **R10107A**
Ball Joint 4.9mm open (6)
-  **R10107B**
Ball Joint 4.9mm closed (4)
-  **R102102**
Alu 4.9mm Ball End Long(4pcs)
-  **R102101**
Alu 4.9mm Ball End Med(4pcs)
-  **R102815**
Turnbuckle 3x27mm (2)

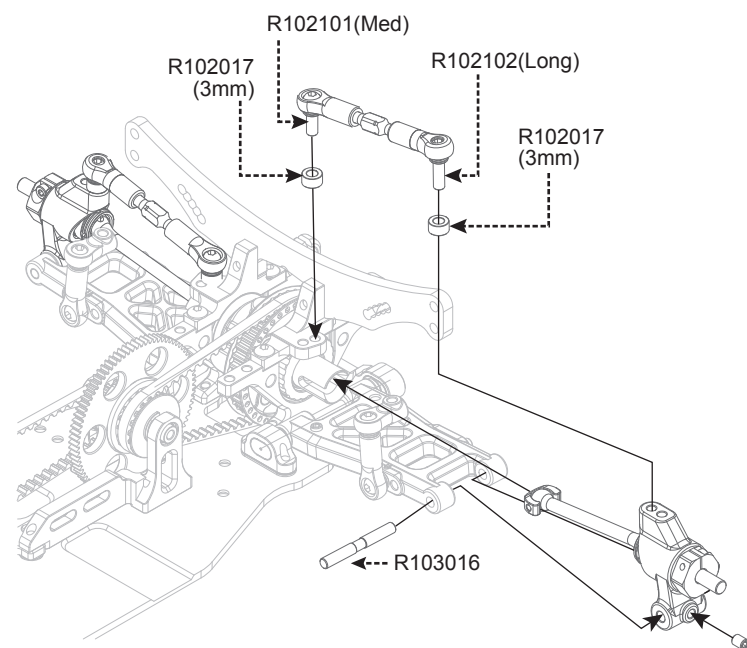


-  **R103015**
Pivot Pin Front-Out (23mm) (2)
-  **R103016**
Pivot Pin Rear-Out (25mm) (2)




BAG 05

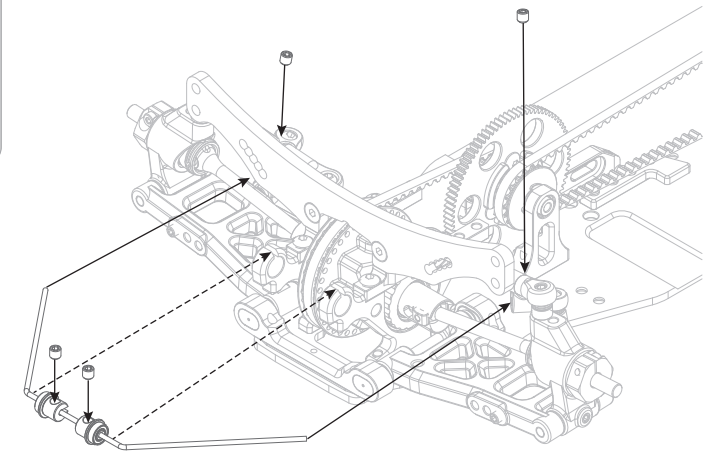
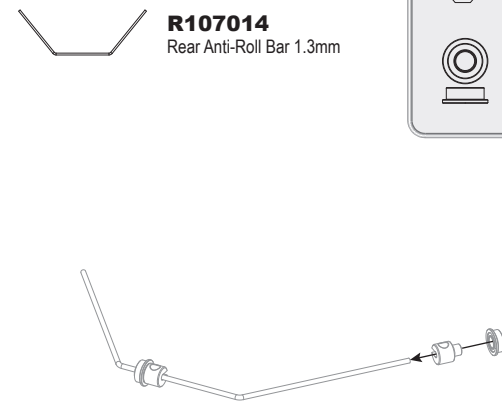


-  **R105402**
3x4mm Set Screw (10)
-  **R102017**
3x5.5x3mm Alu Shims (4)
-  **R102015**
3x5.5x2mm Alu Shims (4)
-  **R102014**
3x5.5x1mm Alu Shims (4)

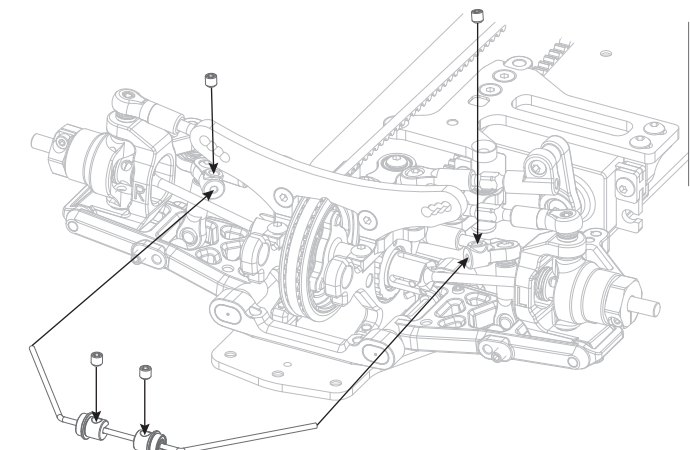
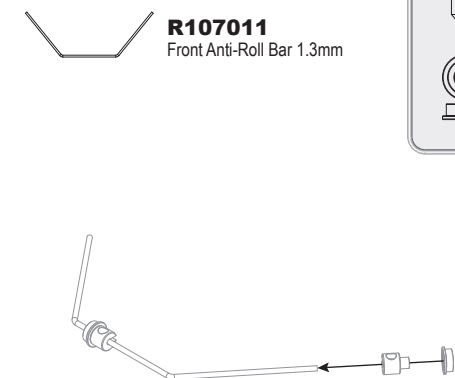


BAG 06


-  **R113001**
Anti-Roll Bar Holder (2)
-  **R105401**
3x3mm Set Screw (10)
-  **R806001**
3x6x2.5mm
Flange Ball Bearing (2)





-  **R113001**
Anti-Roll Bar Holder (2)
-  **R105401**
3x3mm Set Screw (10)
-  **R806001**
3x6x2.5mm
Flange Ball Bearing (2)

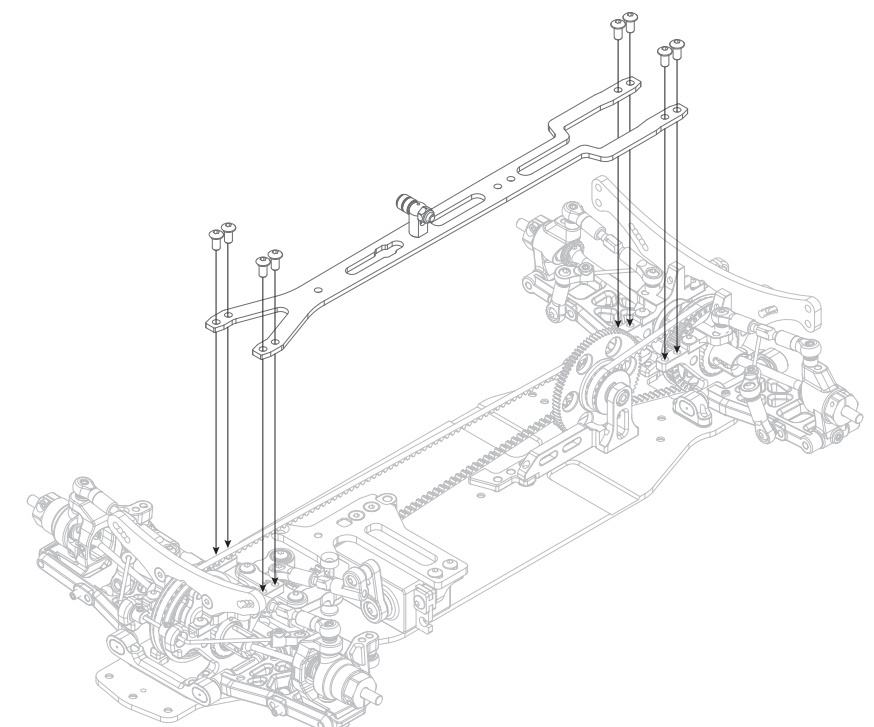
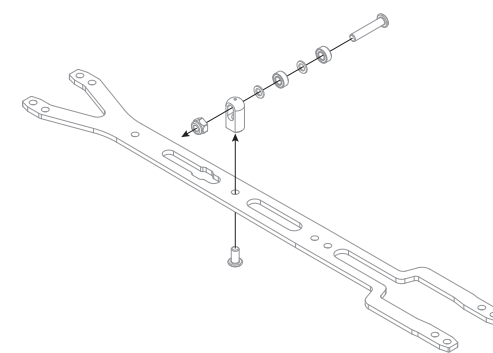


BAG 06

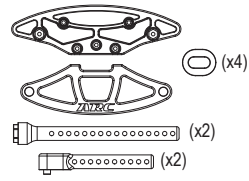
-  **R118005**
R11 2018 Upper Deck 2.0mm

-  **R119003**
R11 Belt Tensioner

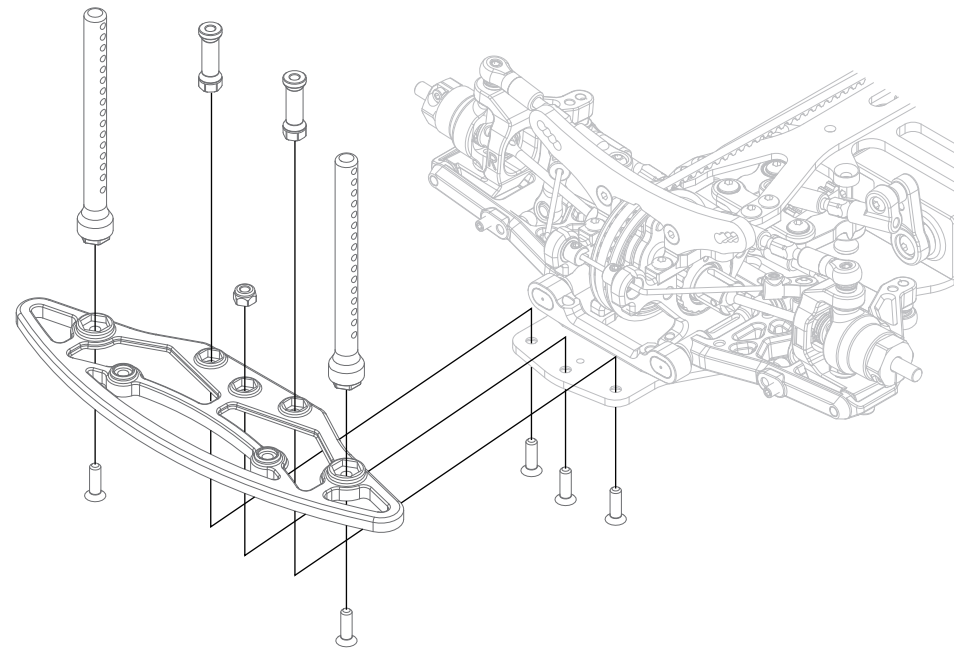
-  **R105104**
3x6mm Round Screw (10)



R101050
Bumper / Tower Set



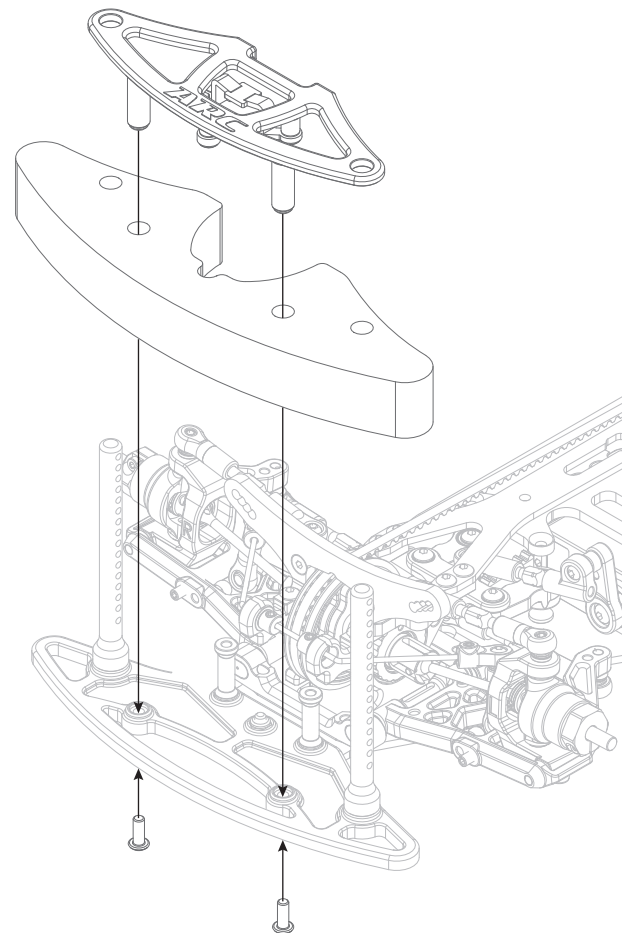
R102091
Bumper Towers (2)



R104010
Foam Bumper

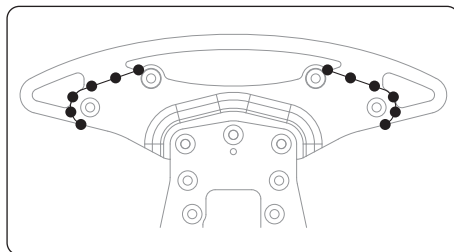


R105105
3x8mm Round Screw (10)



NOTICE

The lower bumper can be cut as marked to make it smaller and less touching the racing surface during cornering, however it will provide less protection.



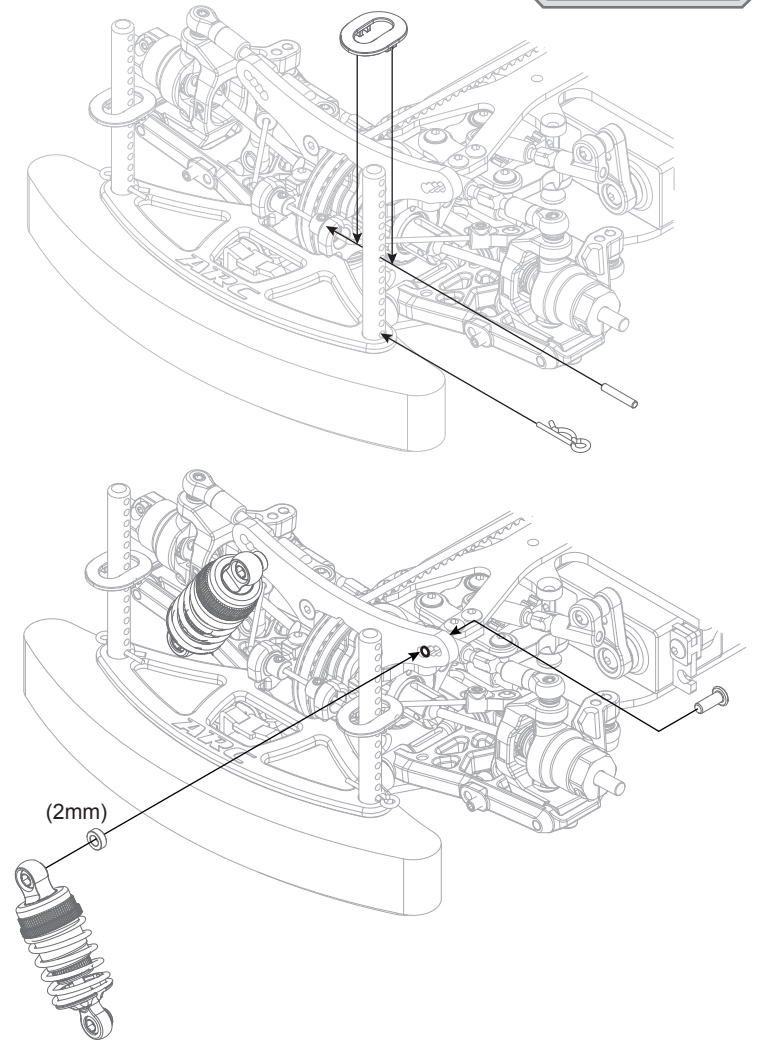
R101050
(2pcs) Bumper / Tower Set

R107002
R-Clip (8)

R102015
3x5.5x2mm Alu Shims (8)

R106104
Ø2x11.8mm Pin (10)

R105105
3x8mm Round Screw (10)



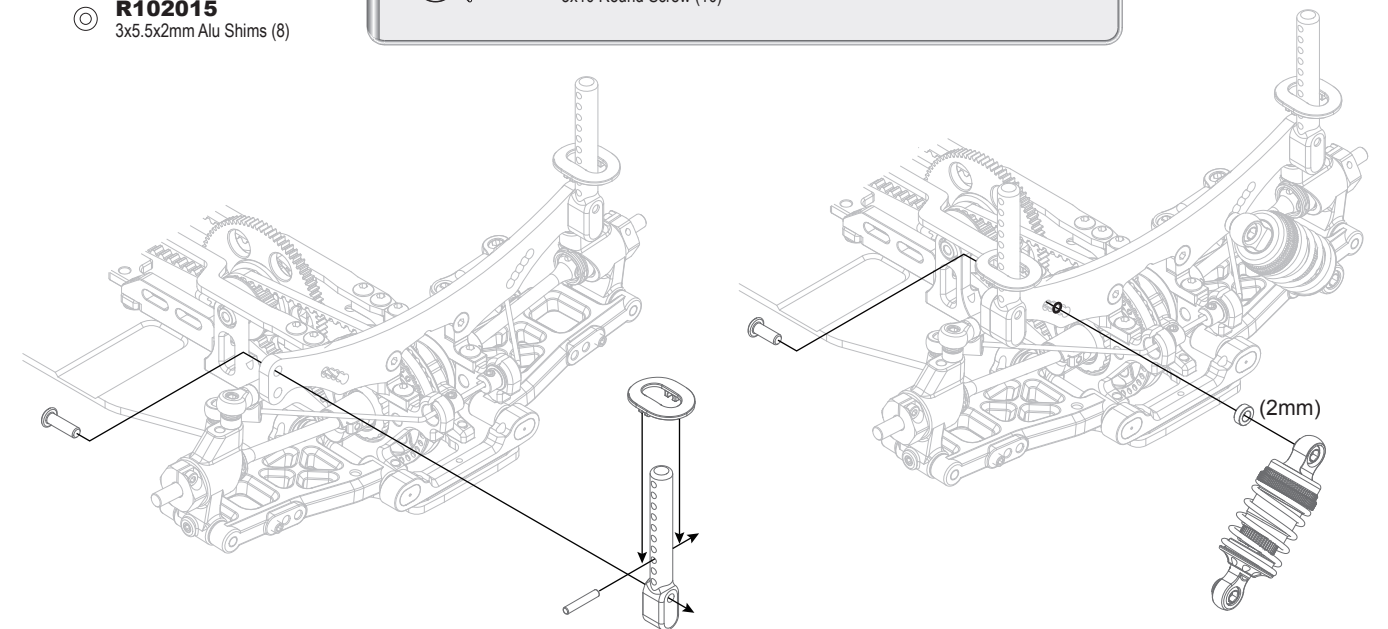
R101050
(2pcs) Bumper / Tower Set

R102015
3x5.5x2mm Alu Shims (8)


R105105
3x8mm Round Screw (10)

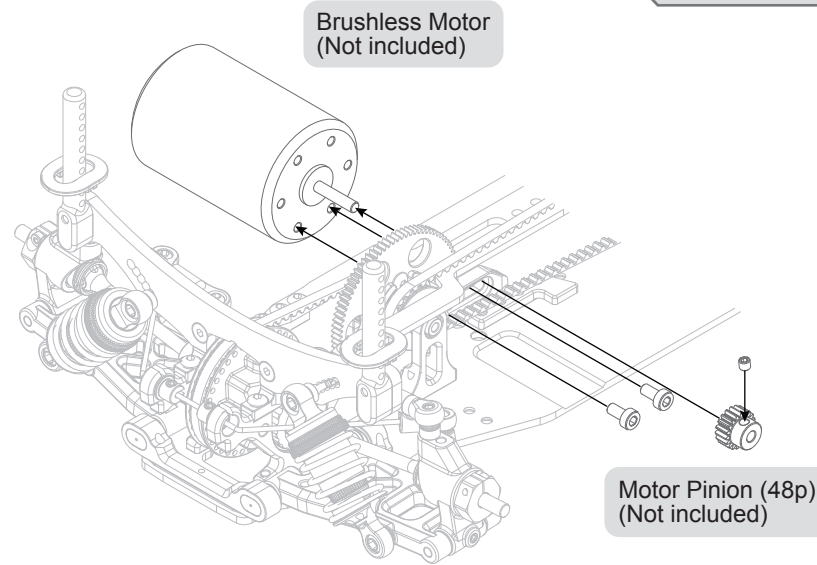
R105106
3x10 Round Screw (10)

R106104
Ø2x11.8mm Pin (10)



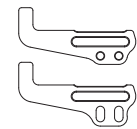
BAG 06

- 
R105401
 3x3mm Set Screw (10)
- 
R105300
 3x6mm Cap Screw (10)






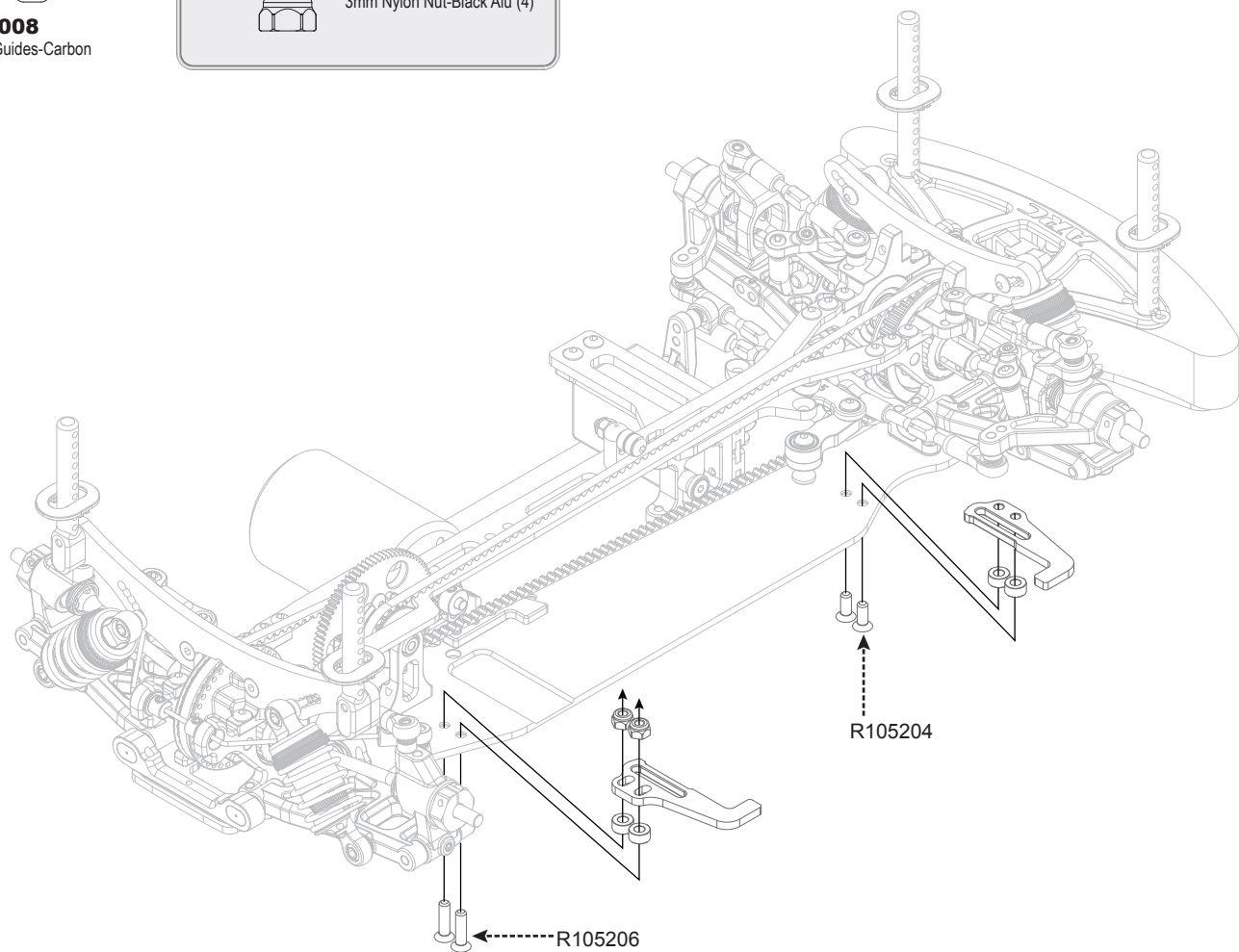
BAG 06

- 
R101101
 3x6x3mm Plastic Shims




- R119008**
 Battery Guides-Carbon

- 
R105204
 3x8mm Flat Screw (10)
- 
R105206
 3x12mm Flat Screw (10)
- 
R115001
 3mm Nylon Nut-Black Alu (4)

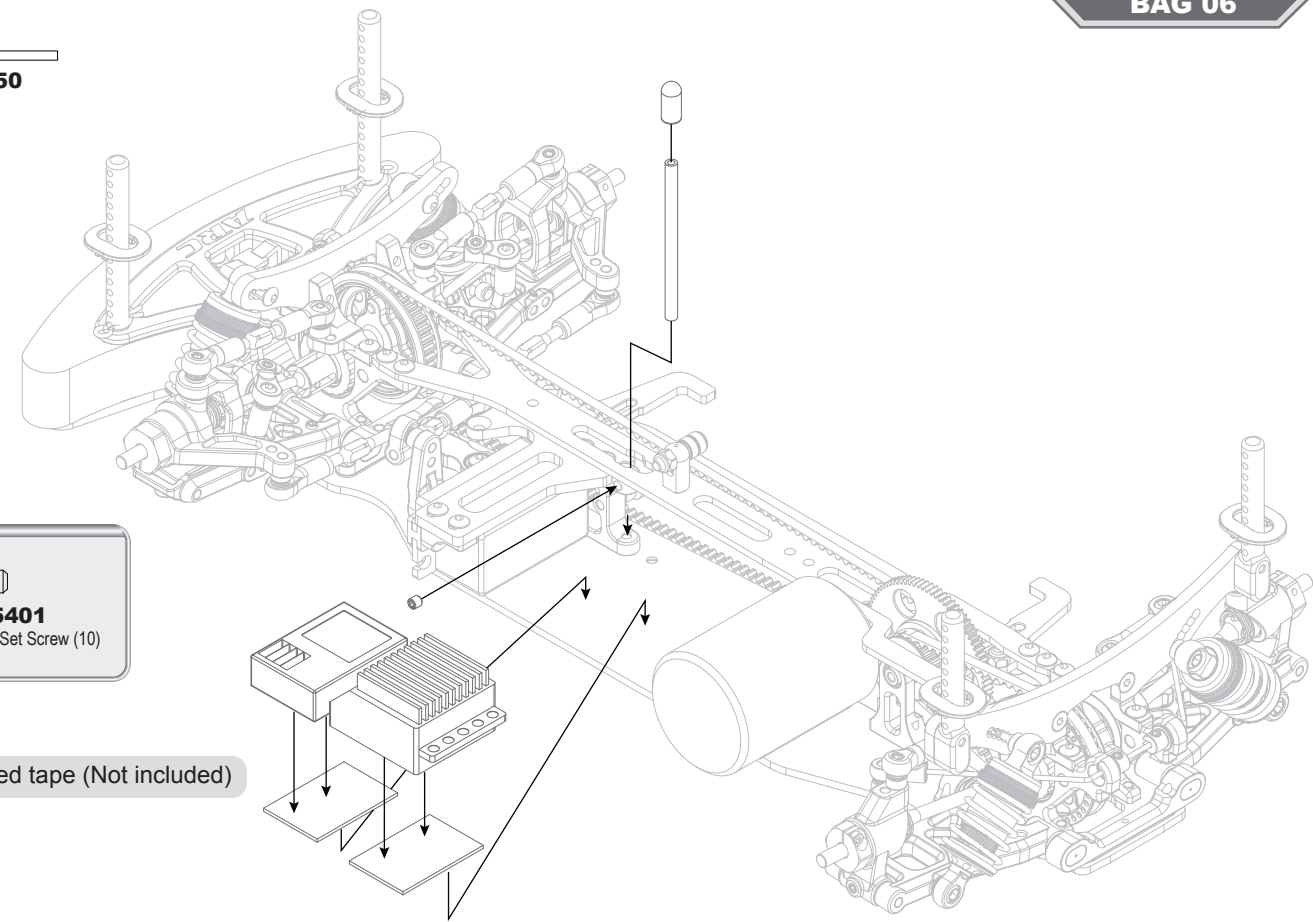


BAG 06

- R104150**
 Antenna

- 
R105401
 3x3mm Set Screw (10)

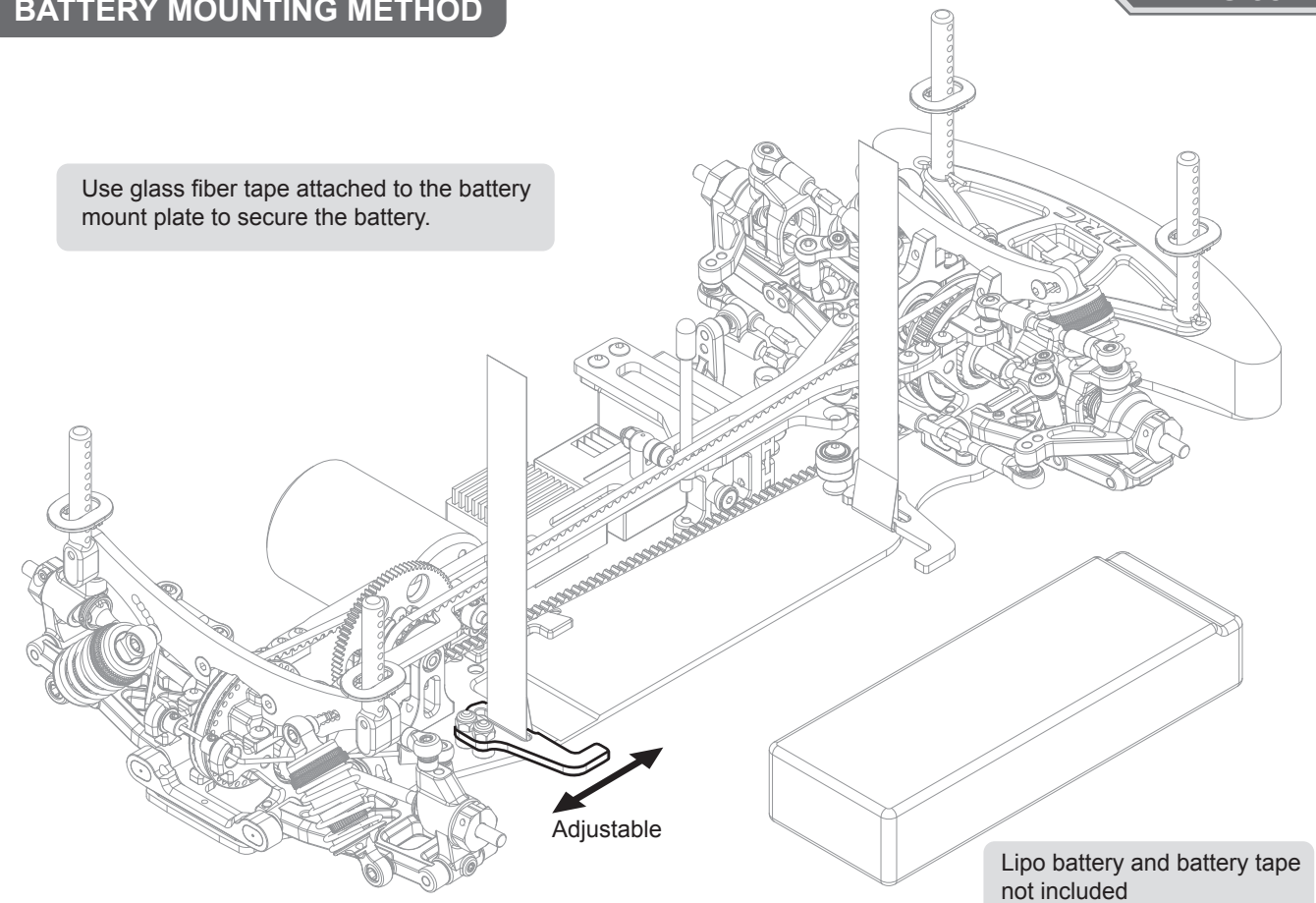
Double sided tape (Not included)

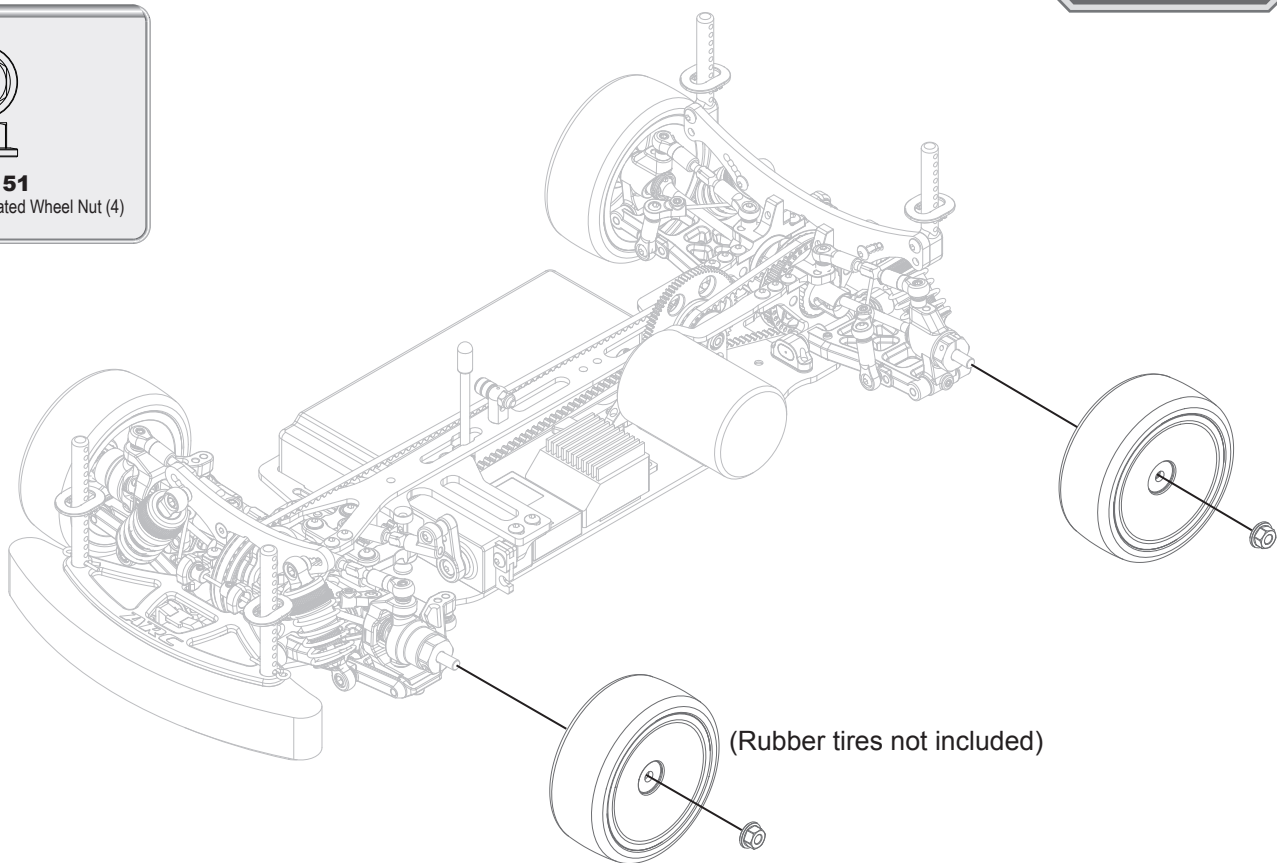
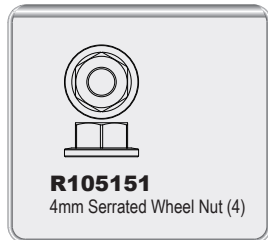


BATTERY MOUNTING METHOD

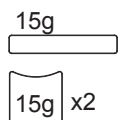
BAG 06

Use glass fiber tape attached to the battery mount plate to secure the battery.





Option parts (Not Included)



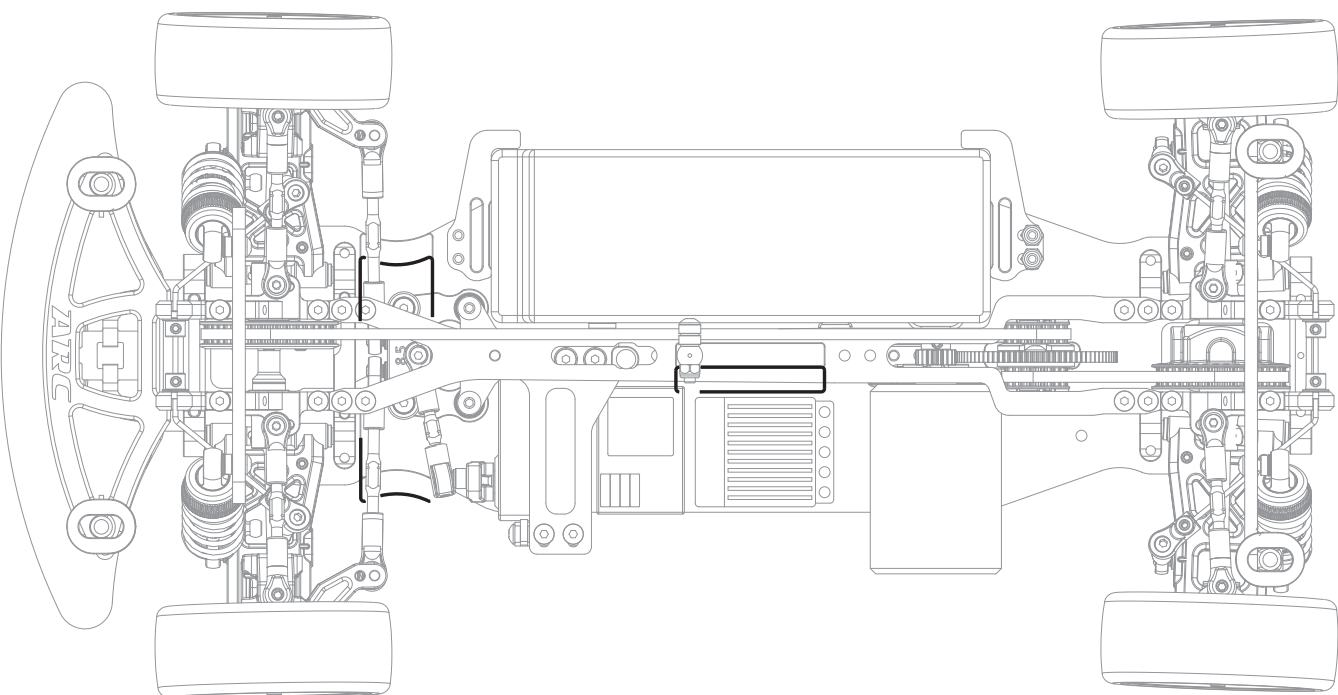
R119013 Chassis Balance Weight-Brass 15g (3)

Precision balance weights made from brass have been developed to fine tune chassis balance, and where required help to increase overall chassis weight.

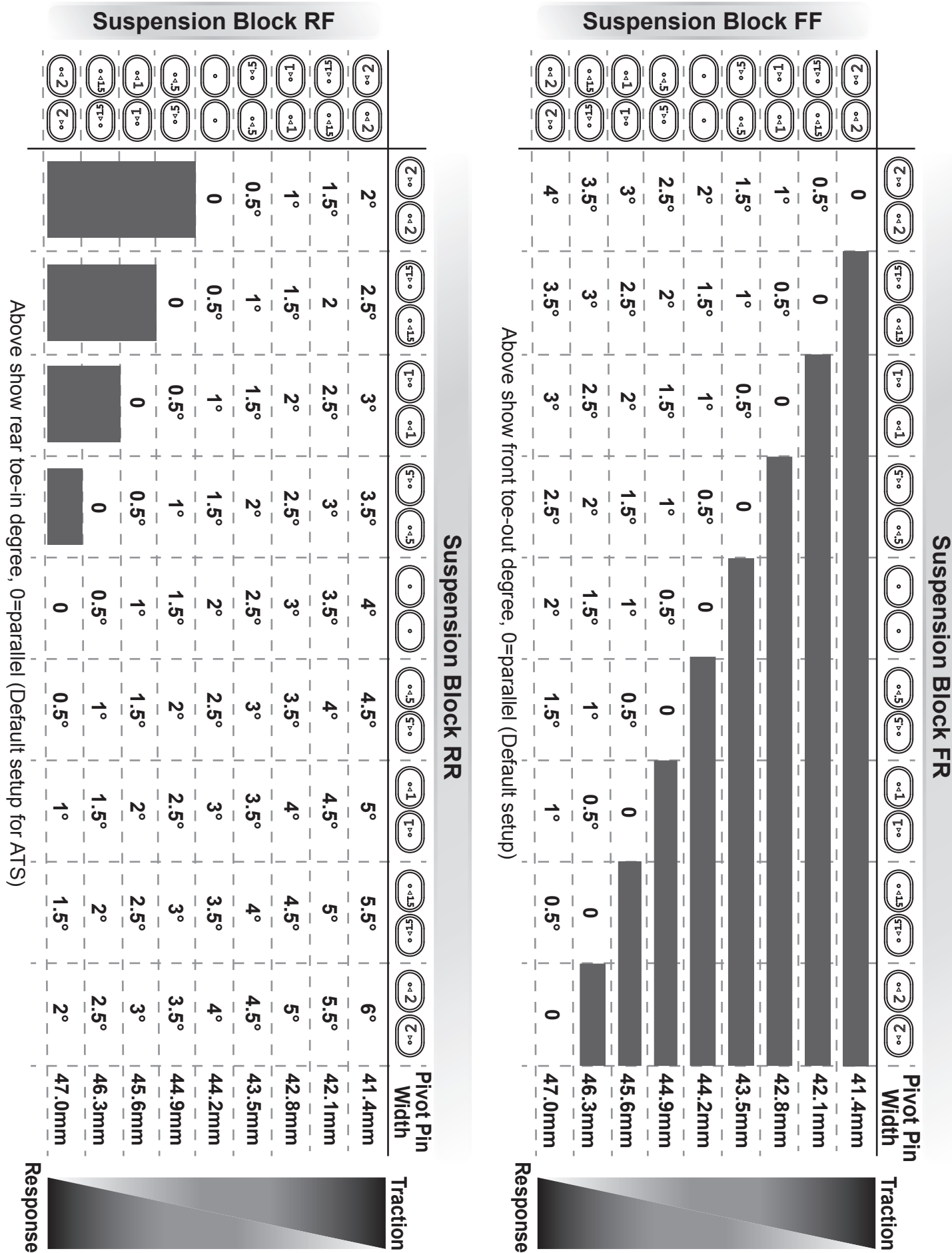
Adding weight to the front of the chassis can help increase overall stability.

The weights come in a set of three 15 gram weights, 2 to go under the steering rack at the front of the chassis and one 15 gram weight beneath the belt along the centre line of the chassis.

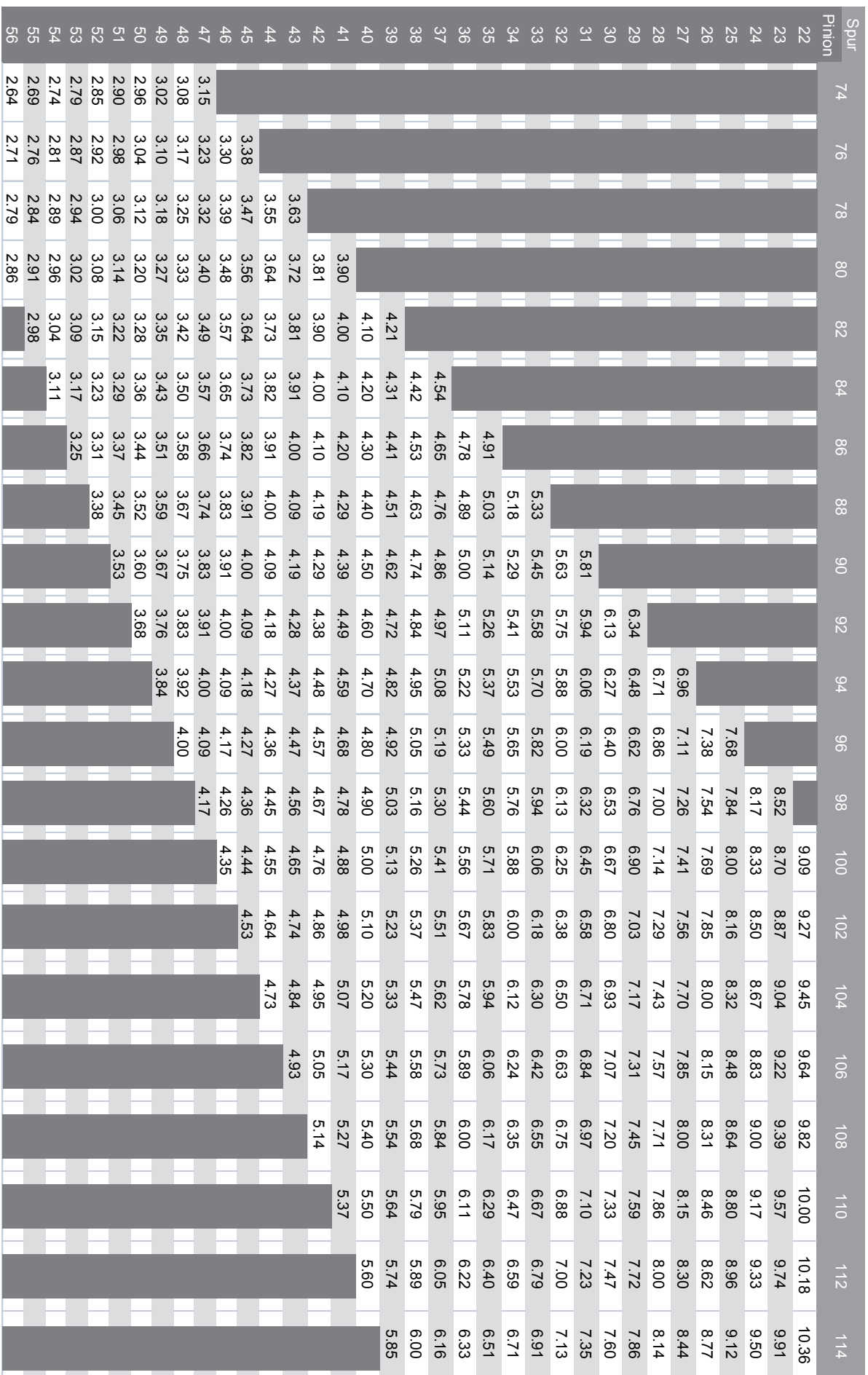
(use double sided tape (not included) to fix the weights to the chassis)



R11 2018 SUPSENSION INSERT CHART



ARC R11 GEAR RATIO CHART 64DP FDR 2.0 (19T/38T)



ARC R11 GEAR RATIO CHART 64DP FDR 1.9 (20T/38T)

