

12R5.2 Factory Team

#4020 RC12R5.2 Factory Team Kit



1:12 Scale Electric 2WD Competition Car Kit Manual & Catalog 7/12

TEAM ASSOCIATED



Designed in California, USA

:: Introduction

Thank you for purchasing this Team Associated product. This assembly manual contains instructions and tips for building and maintaining your new RC12R5.2. Please take a moment to read through this manual to help familiarize yourself with these steps.

As part of the continued development to the already successful RC12R5.1 platform, Team Associated's Factory Team is proud to release the RC12R5.2-FT; a 1:12 scale electric 2WD on-road race-car kit.

Behind the doors of Area 51, the Factory Team engineers have further developed the IFMAR World Champion RC12R5 platform, optimizing the chassis for the demands of today's ultra competitive 1:12 scale racing class. The result is the RC12R5.2-FT kit, a perfect combination of affordable styling and race winning development.

The RC12R5.2-FT kit comes ready to assemble, and includes a host of new parts prototyped and developed by Team Associated's Factory Team over the last couple racing seasons. The updated chassis shifts focus purely to LiPo racing batteries, centralizing the mass for a lower polar moment of inertia and smoother handling characteristics. The RC12R5.2 carries an updated rear pod with a graphite cross brace for added rigidity, and side damper tubes for easy use, maintenance, and adjustment. With a ROAR National win under its belt already, it's easy to see that the RC12R5.2-FT is... yet another Factory Team Champion By Design!

:: KIT Features

1. IFMAR World Championship winning Dynamic Strut front end from RC12R5
 - Symmetric part layout in front end assembly helps minimize necessary spare parts
 - 0°, 5° and 10° active strut mounts combined to one part
 - Suspension arm attaches to aluminum front bulkhead to allow for adjustable front arm spacing
2. Updated motor mount and left rear bulkhead
 - 3-point upper pod plate with graphite motor mount cross-brace
 - Cross-brace stiffens rear pod assembly, and helps minimize twisting of upper and lower rear pod plates
 - Motor mount and left rear bulkhead sections have been thickened to prevent bending
 - Rear pod has been balanced for brushless motors
3. Ultra-rigid 2.5mm thick chassis mounts centralized LiPo battery mounting position
 - Centralized mass helps stabilize mass transfer in high traction conditions
 - Fits any ROAR approved 3.7V Li-Po battery pack
4. Aluminum side spring retainers
 - Help center side spring for accurate adjustment
 - Thumb wheel shape eliminates use of allen wrench
5. Innovative thru-shaft center shock
 - Consistent shock building with no rebound
6. Damper tubes for error free side damping of rear pod
 - Ease of build and simplicity of design allow for a more "tweak" free rear pod
7. Pivot-Ball rear pod design
 - Increased durability of fixed length rear pod link
 - Tuning options isolated allowing adjustment of roll and bump independently
 - Hard anodized aluminum pivot balls at each joint

:: Additional Features

Your new 12R5.2 comes unassembled and requires the following items for completion. (refer to catalog section for suggestions):

- R/C two channel surface frequency radio system with steering servo
- 1 cell (3.7V) LiPo battery pack
- Electronic Speed Control (ESC)
- 1:12 scale lexan race body
- 1:12 scale foam tires
- 64 pitch pinion gear (size to be determined by type and wind of motor selected)
- AA-sized batteries for transmitter
- Battery charger (specific for charging LiPo batteries)
- R/C electric motor
- Lexan specific spray paint

:: Other Helpful Items

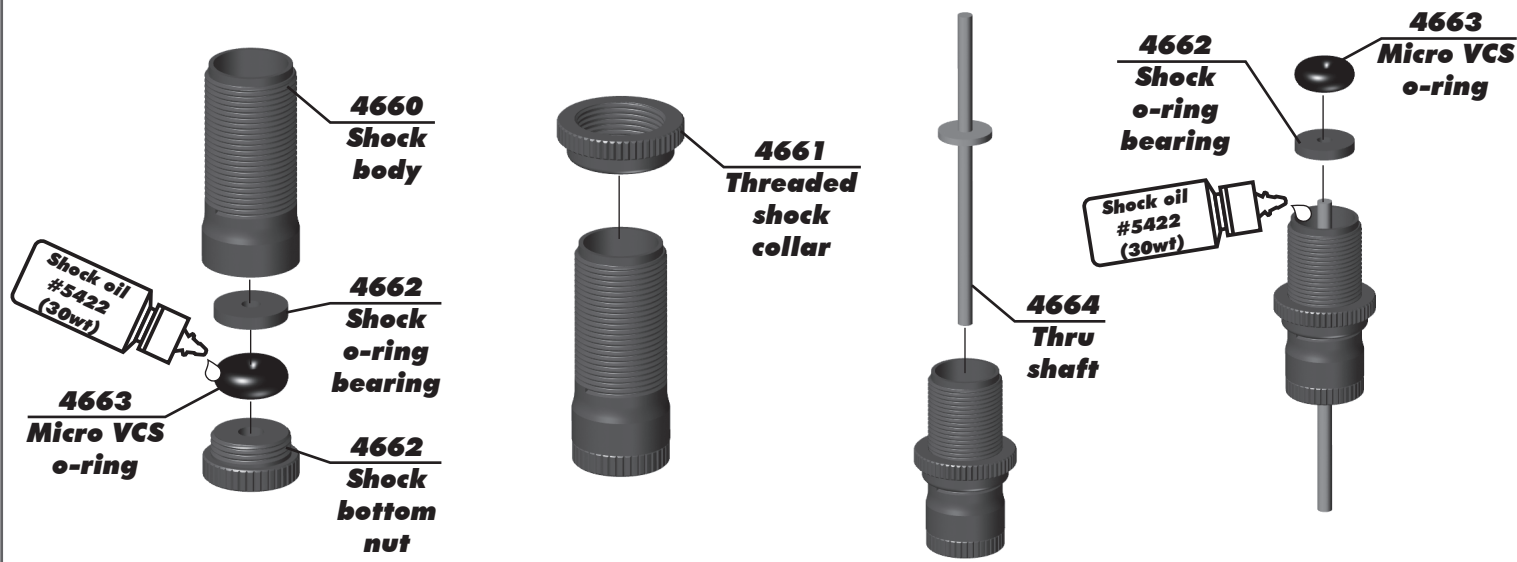
- Thread Lock (AE Part #1596)
- Body Scissors (AE Part # 1737)
- Calipers or a Precision Ruler
- Needle Nose Pliers
- Reamer / Hole Punch
- Silicone Shock Fluid (Refer to catalog for complete listings)
- Soldering Iron
- FT Hex Wrenches (AE Part # 1541)
- Silicone Diff Fluid (Refer to catalog for complete listings)
- Wire Cutters
- Hobby Knife

Associated Electrics, Inc.
26021 Commercentre Dr.
Lake Forest, CA 92630

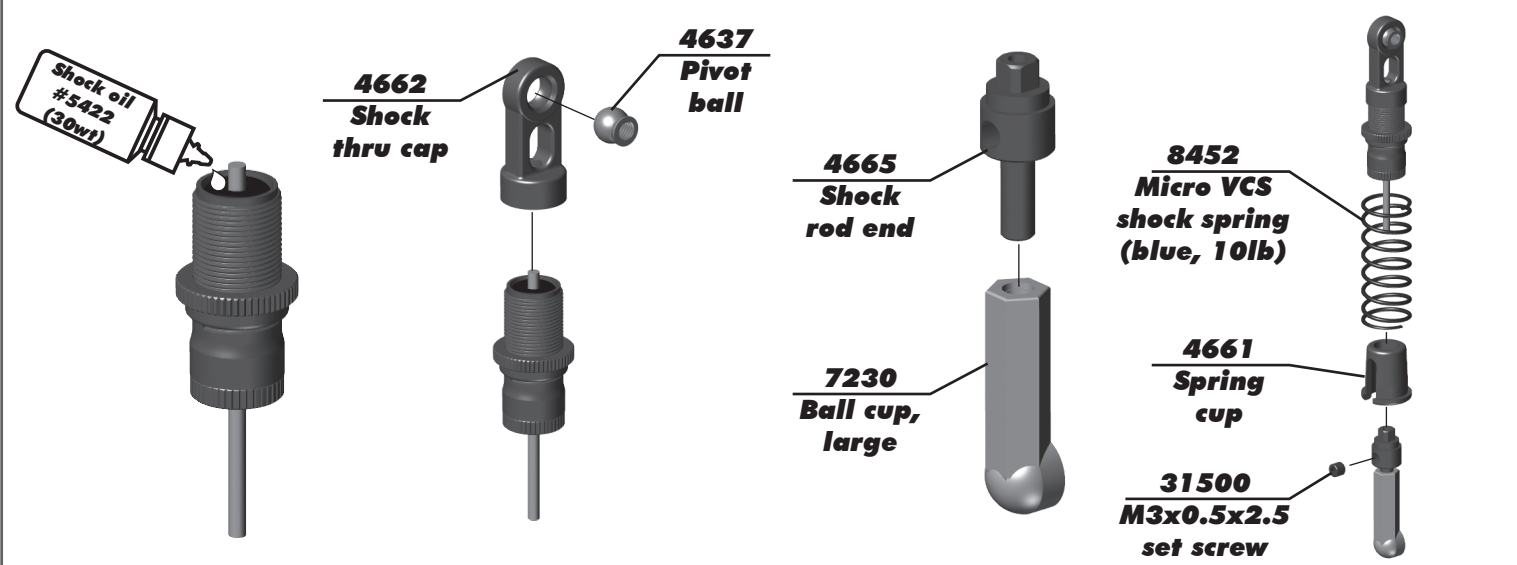


Customer Service
Tel: 949.544.7500
Fax: 949.544.7501

:: Shock Build - Bag A-AA - Step 1

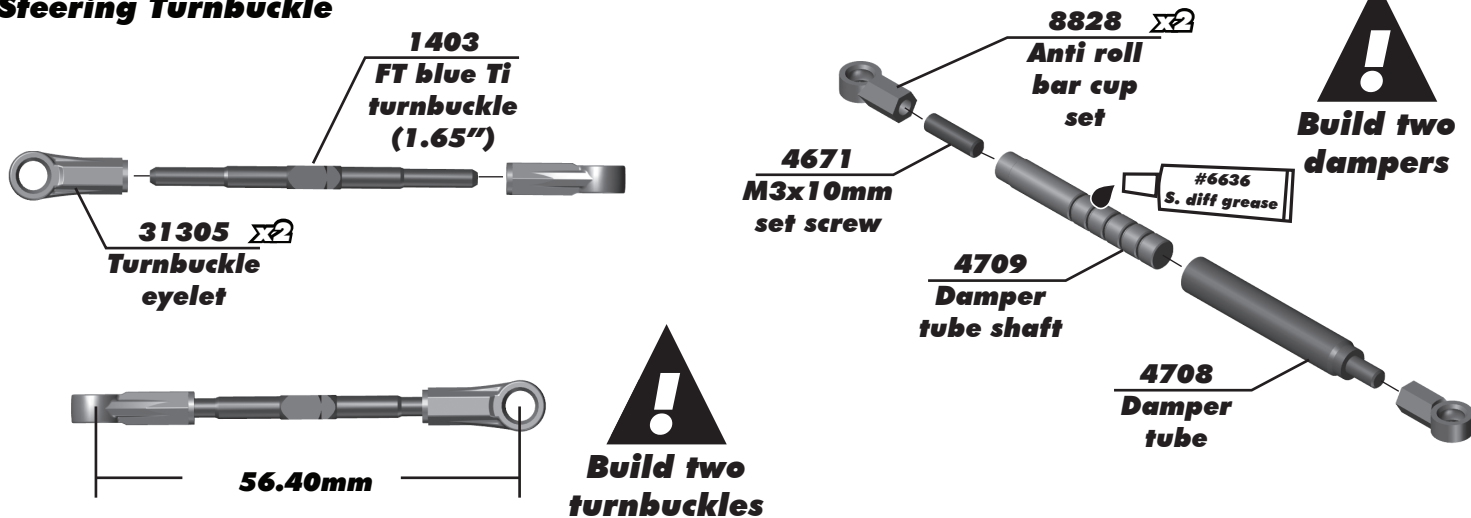


:: Shock Build - Bag A-AA - Step 2

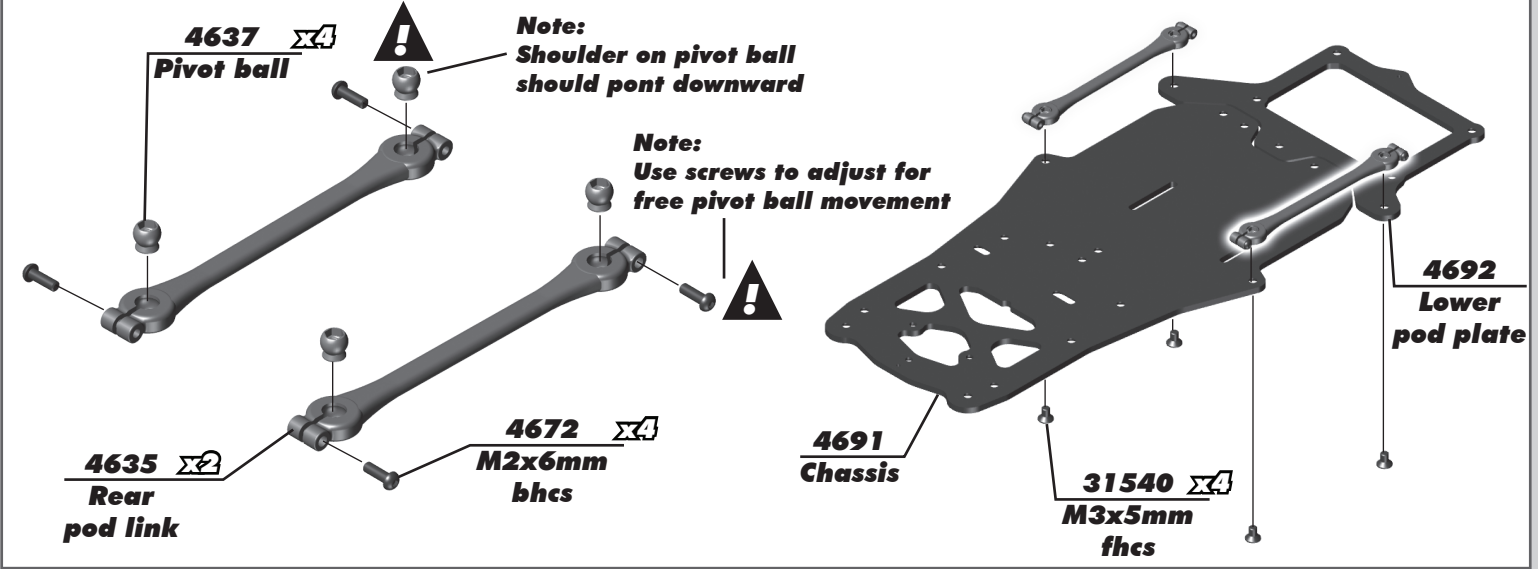


:: Turnbuckles / Side Dampers Build - Bag A-AA - Step - 3

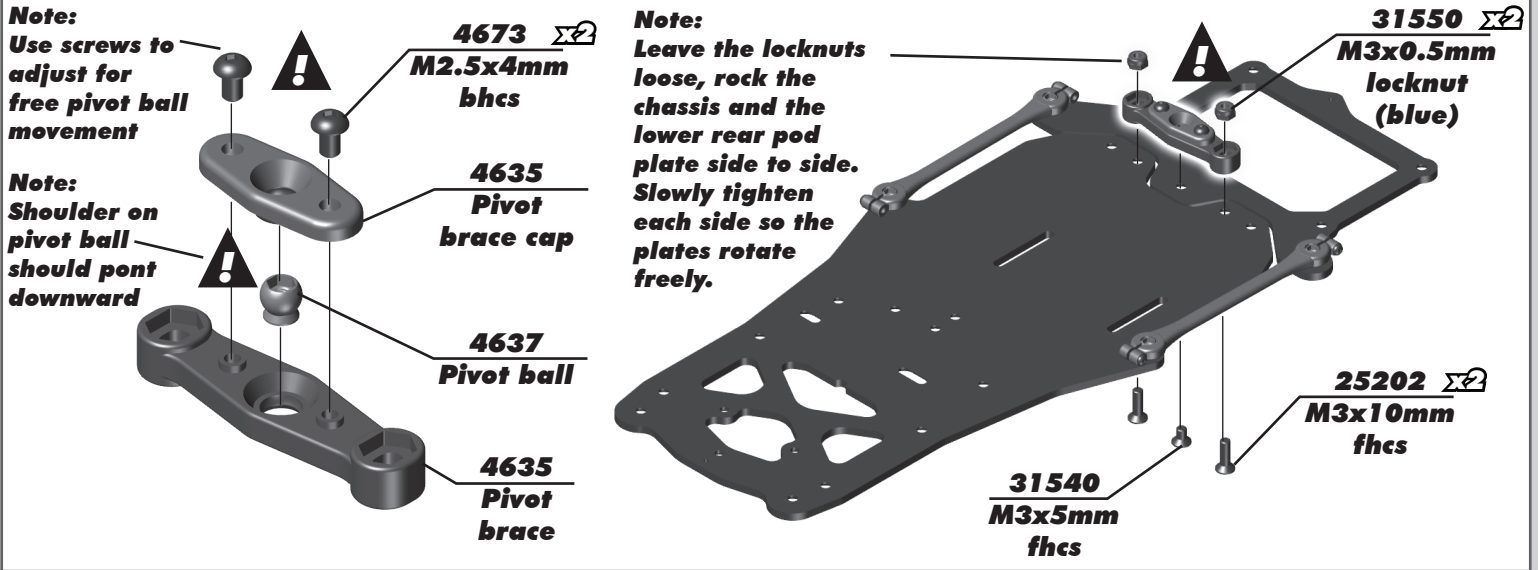
Steering Turnbuckle



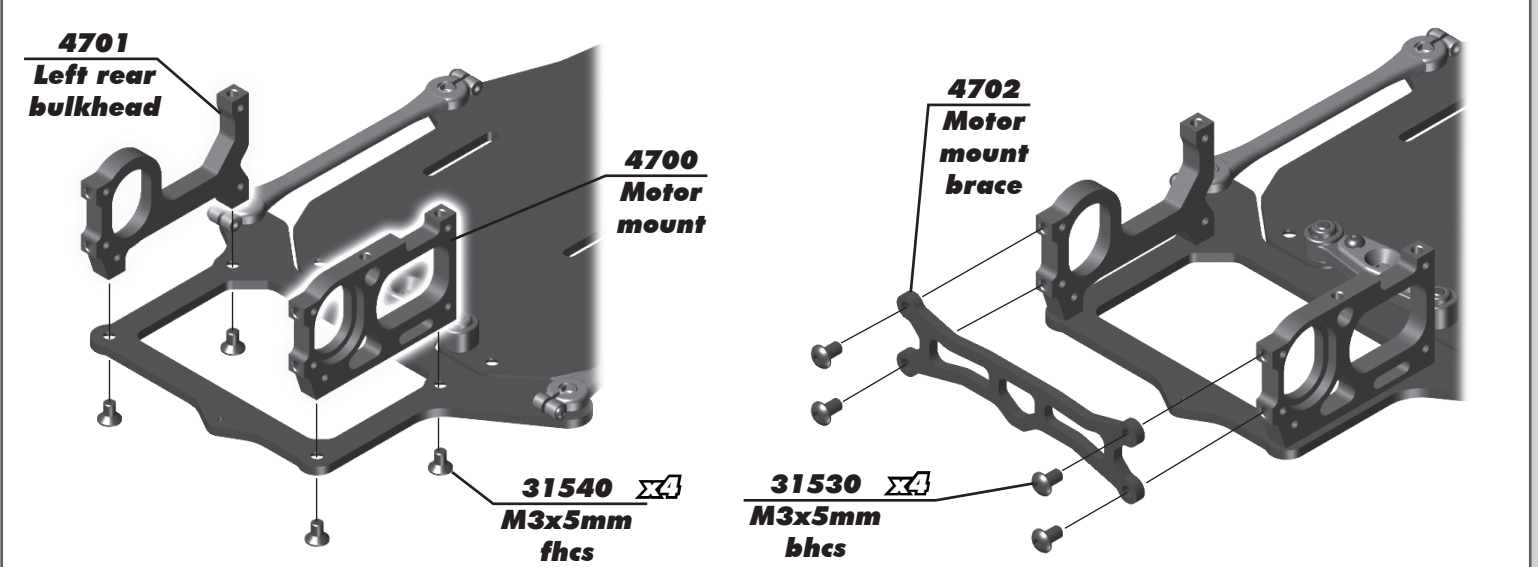
:: Pivot Brace Build - Bag B-BB - Step 1



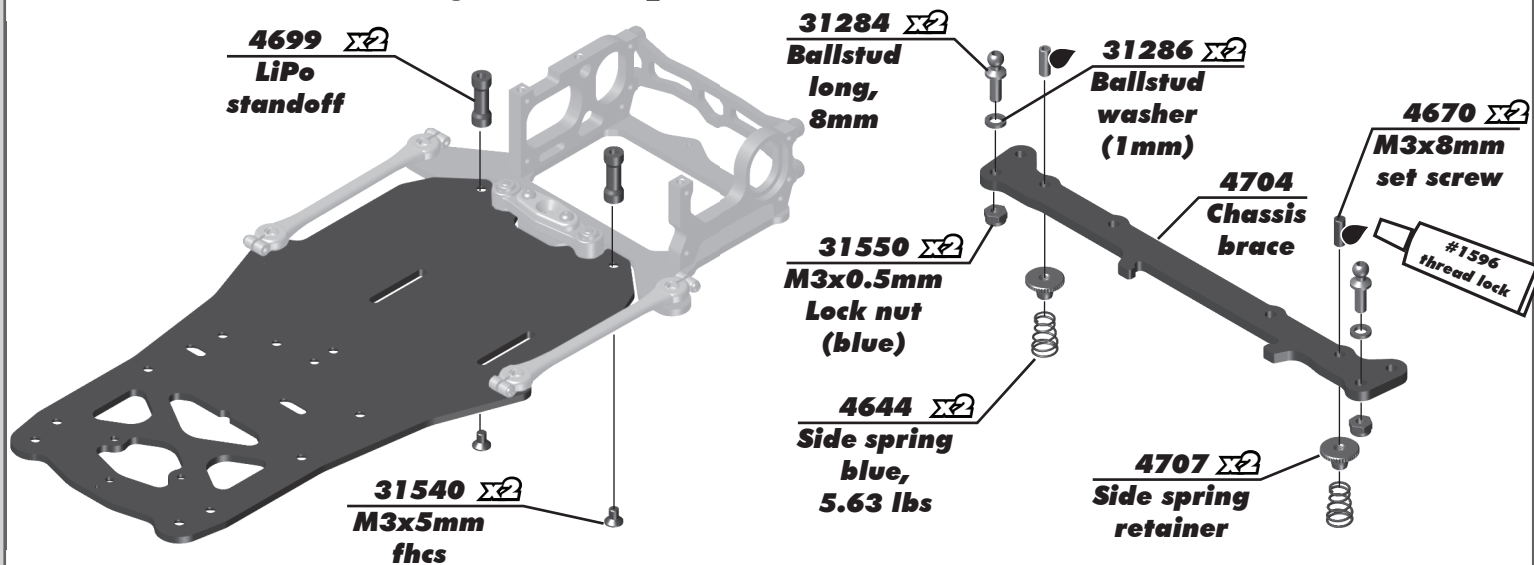
:: Pivot Brace Build - Bag B-BB - Step 2



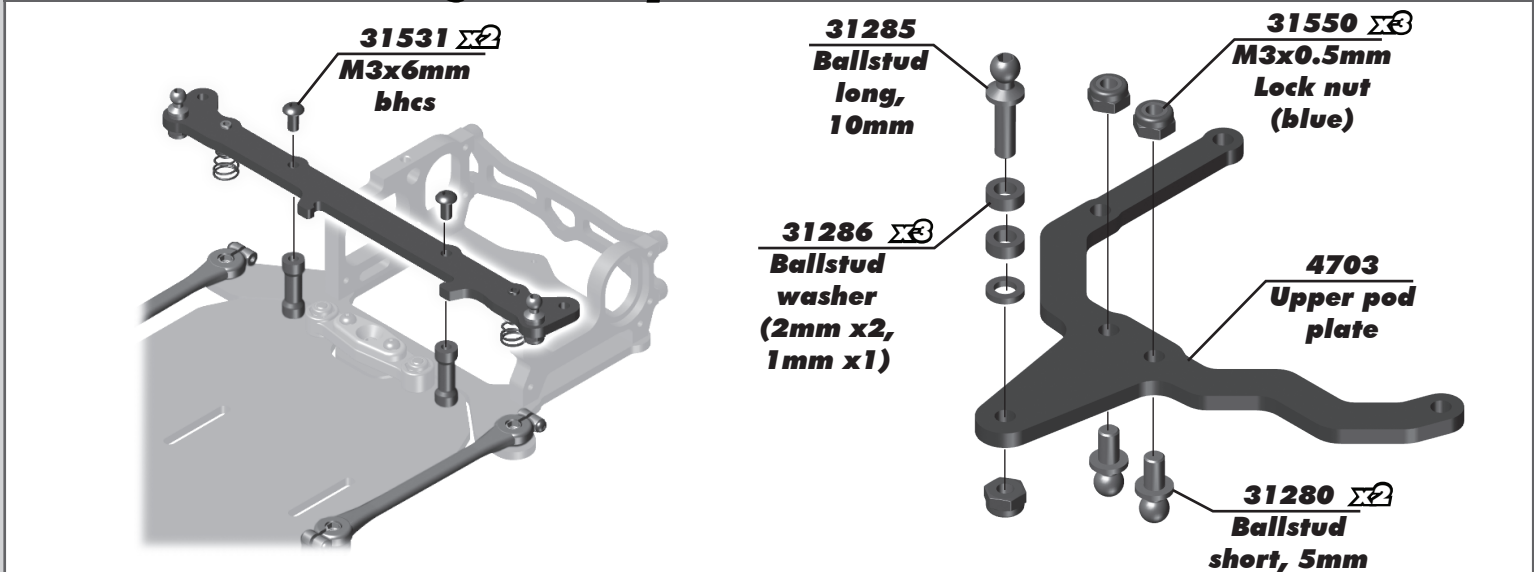
:: Rear Bulkhead Build - Bag B-BB - Step 3



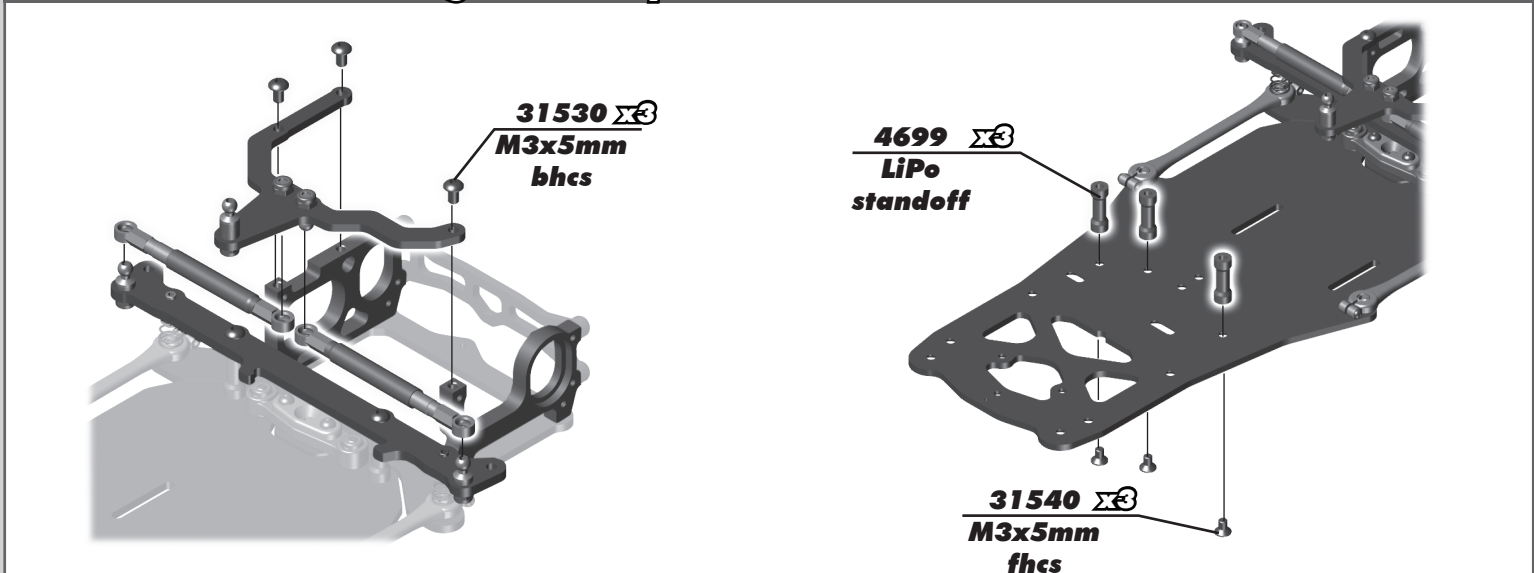
:: Chassis Brace Build - Bag B-BB - Step 4



:: Chassis Brace Build - Bag B-BB - Step 5



:: Chassis Brace Build - Bag B-BB - Step 6



:: Steering Build - Bag C-CC - Step 1

4627
Front axle

31280
Ballstud short, 5mm

8417
Pivot ball

4622
Upper arm eyelet

1410
FT blue titanium turnbuckle (.630")

4621
Upper arms

4626
Steering block (left, right)

4673
M2.5x4mm bhcs

Note:
eyelet offset position relative to the upper suspension arm

Note:
eyelet offset position to the pivot ball

Build left and right sides

:: Steering Build - Bag C-CC - Step 2

8417
Pivot ball

4706
Lower arms

4705
Front bulkhead

4626
Upper arm mount

25203 $\Sigma 2$
M3x12mm fhcs

25211 $\Sigma 2$
M3x10mm bhcs

Note:
10° is the standard position

Upper Suspension Mount Active Caster Settings

10° 0°
5° 10°

Build left and right sides

Front of car
RF LF

Note:
lower suspension arm orientation

:: Steering Build - Bag C-CC - Step 3

4113
Spring (0.020")

4403
Grooved hinge pin

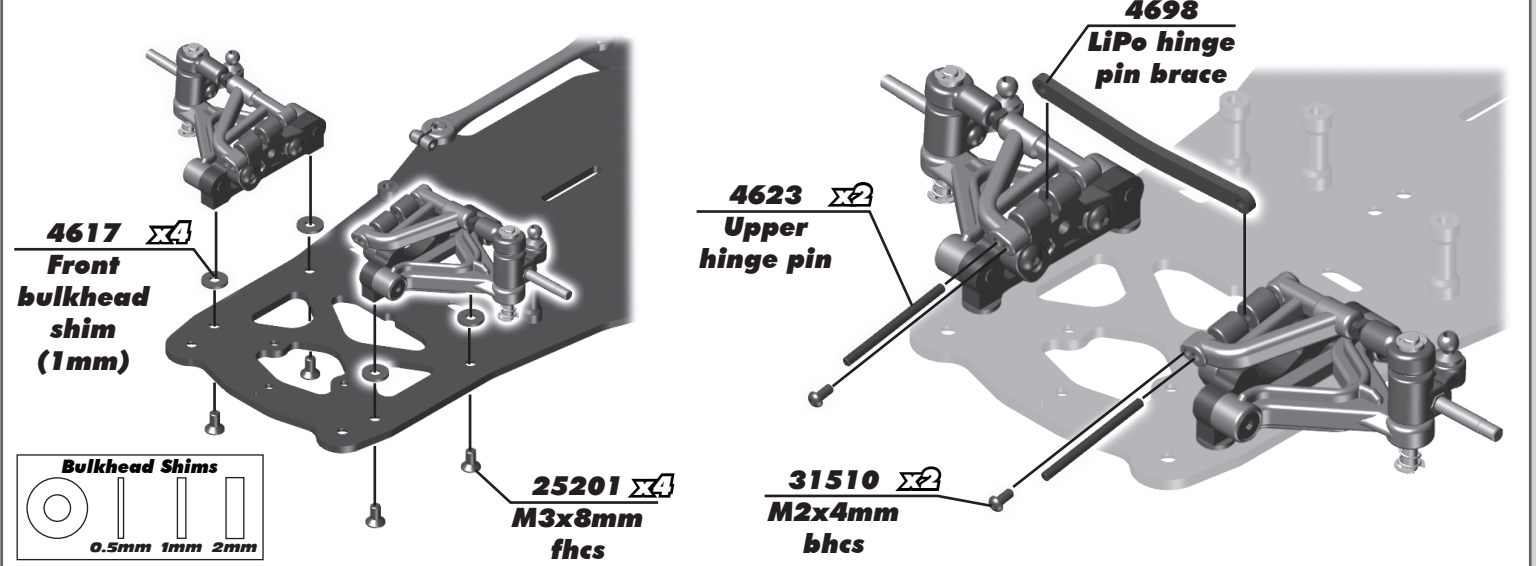
6299
E-clip

8425 $\Sigma 4$
Shim

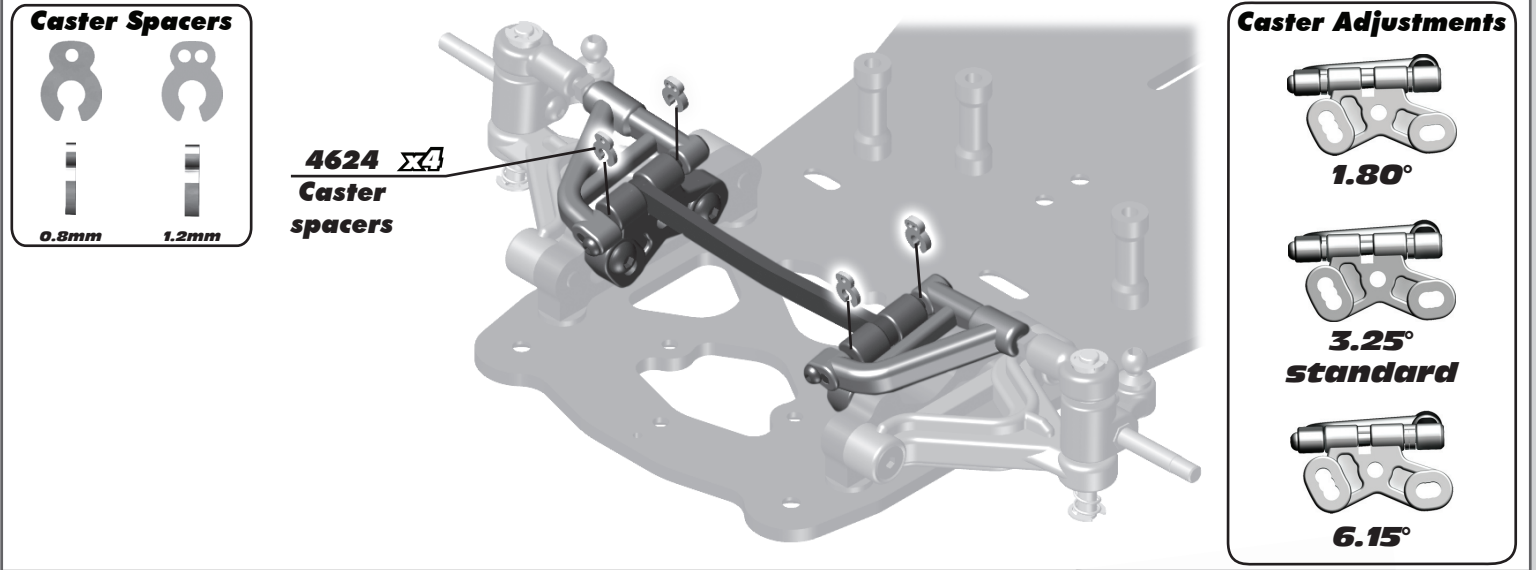
6299
E-clip

Build left and right sides

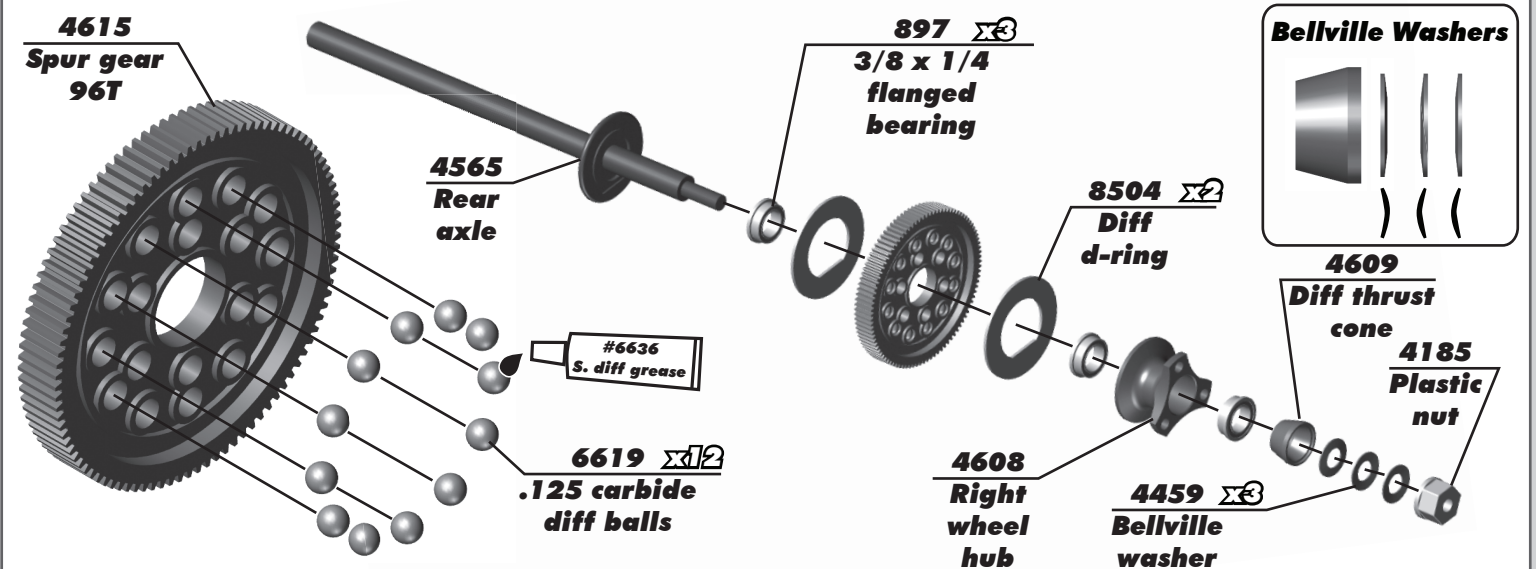
:: Front Bulkhead Build - Bag C-CC - Step 4



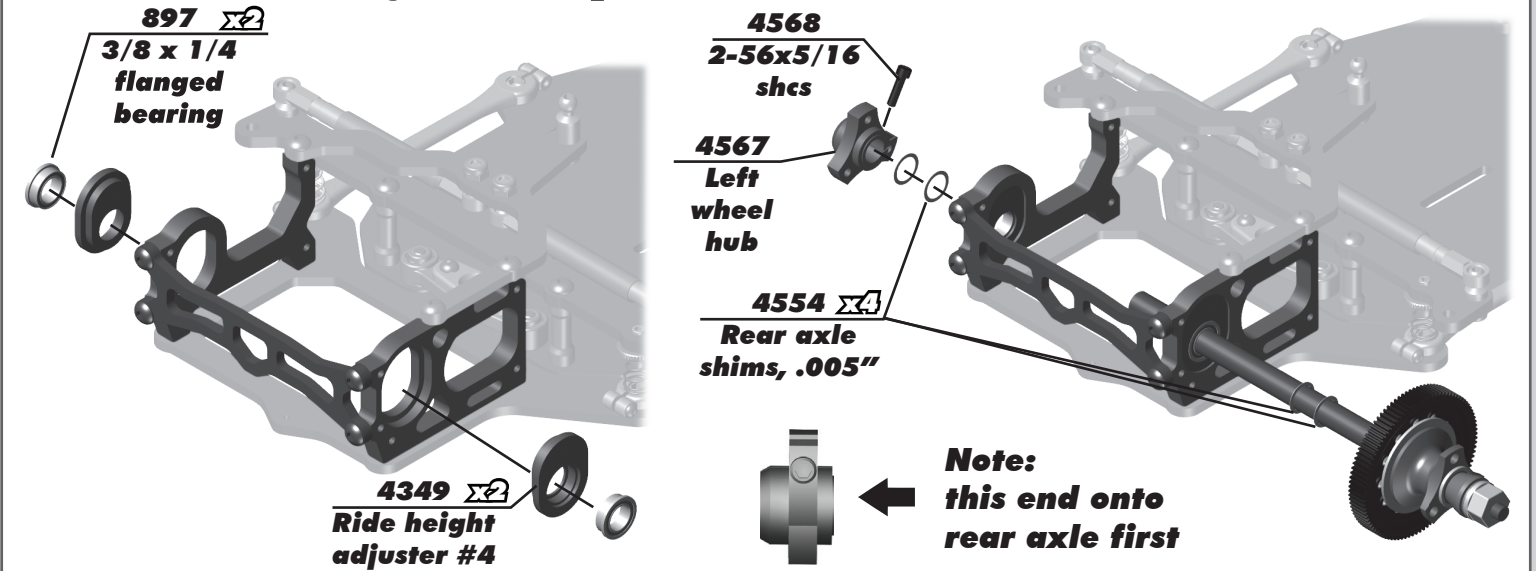
:: Front Bulkhead Build - Bag C-CC - Step 5



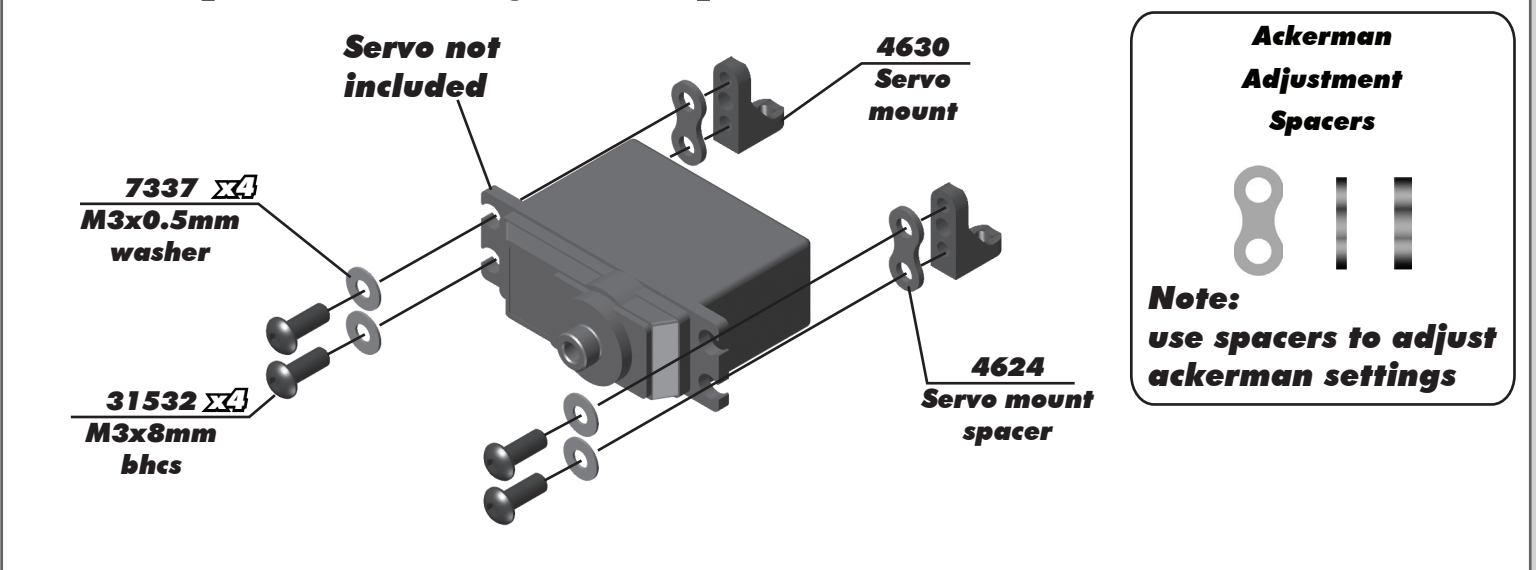
:: Rear Axle Build - Bag D-DD - Step 1



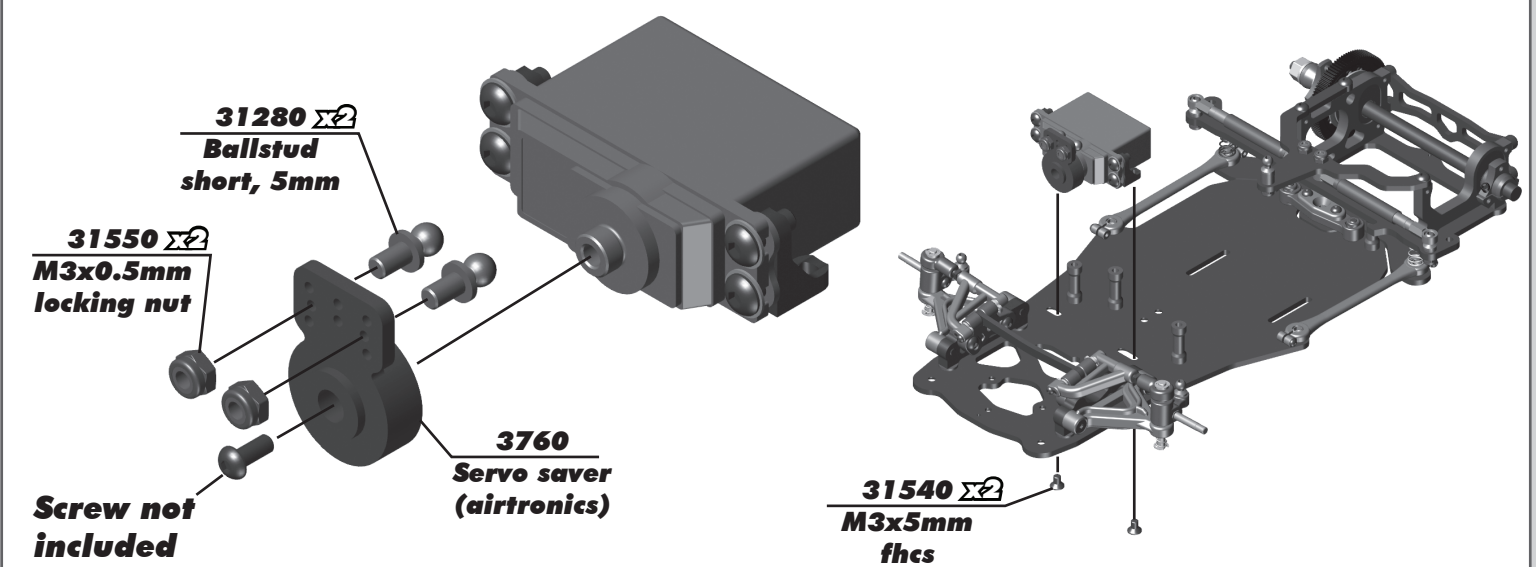
:: Rear Axle Build - Bag D-DD - Step 2



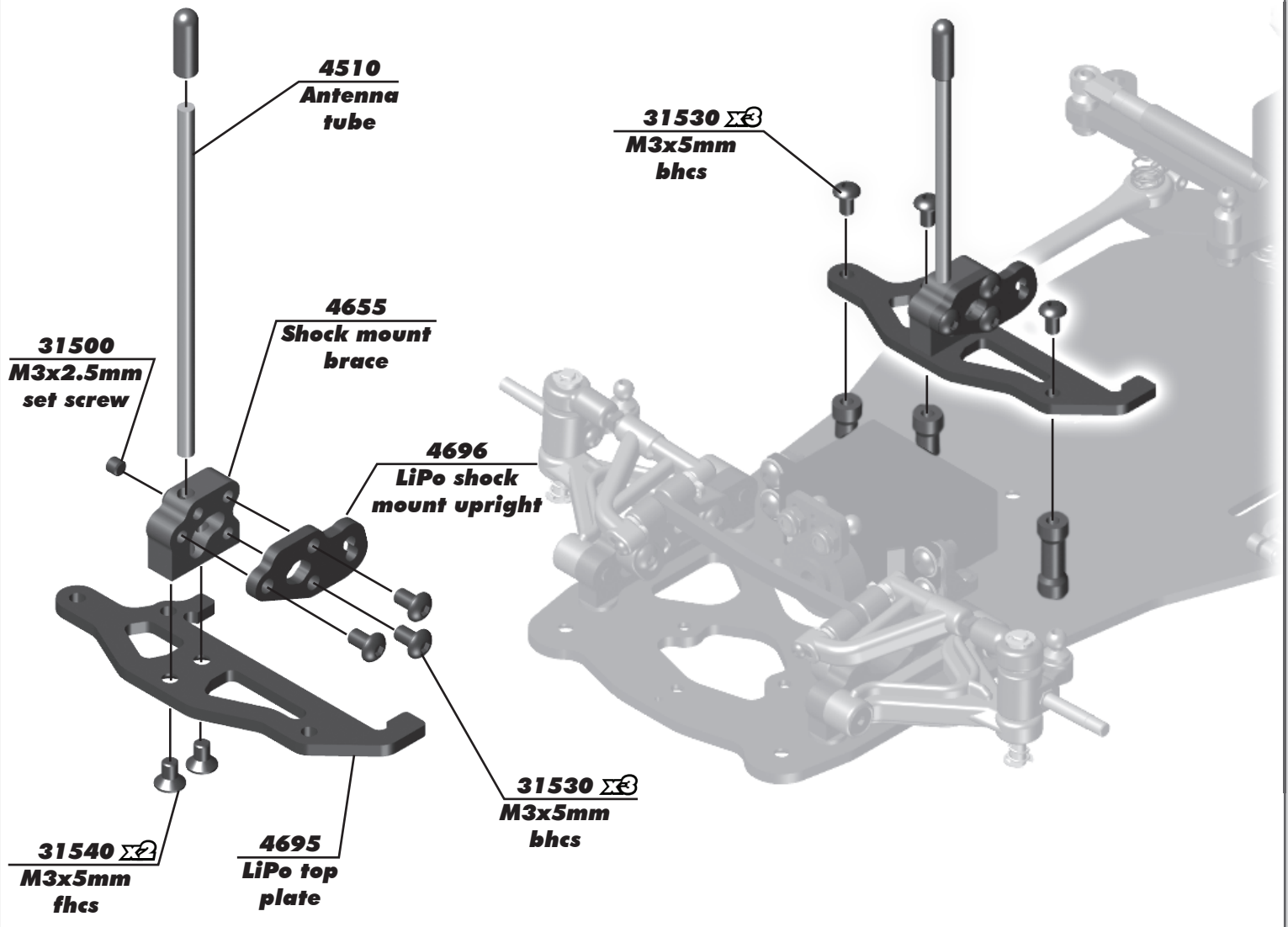
:: Servo / Top Plate Build - Bag E-EE - Step 1



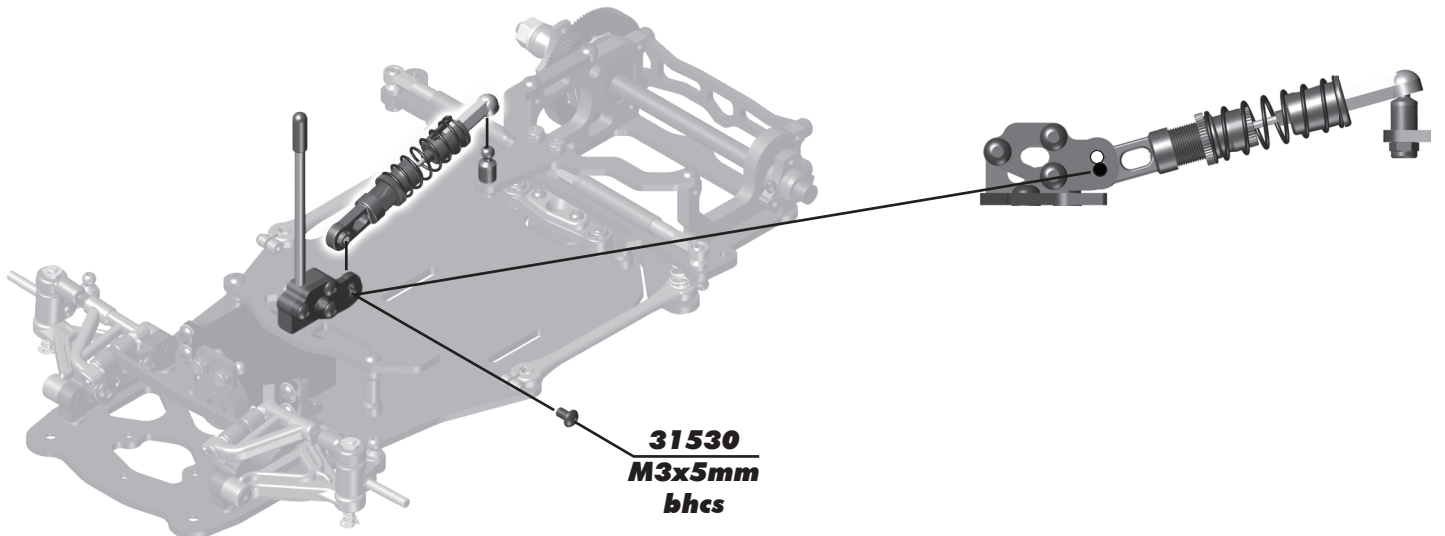
:: Servo / Top Plate Build - Bag E-EE - Step 2



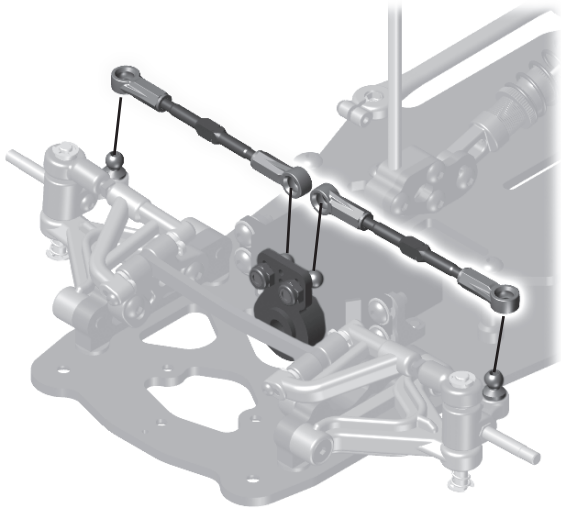
:: Top Plate Build - Bag E-EE - Step 3



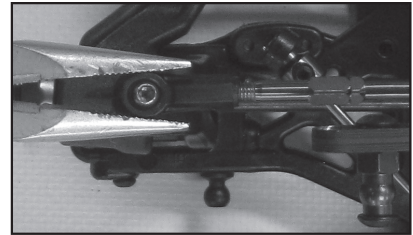
:: Center Shock Install - Bag E-EE - Step 4



:: Turnbuckles - Bag E-EE - Step 5

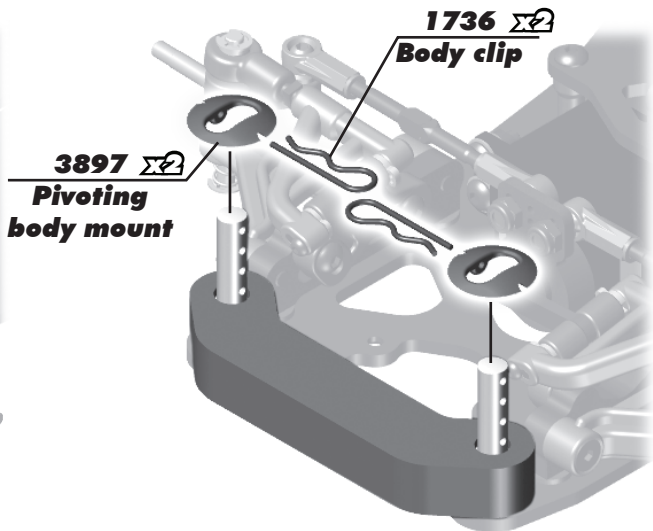
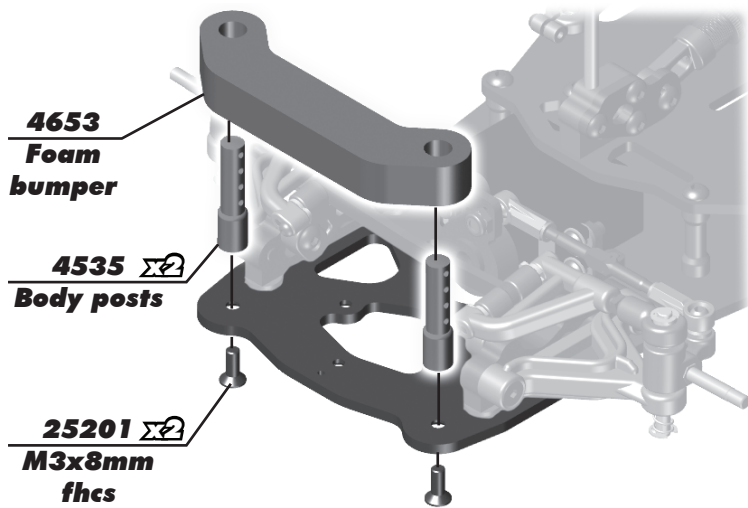


Orient the notch to the left throughout the car. The notch indicates which end has the left hand threads!

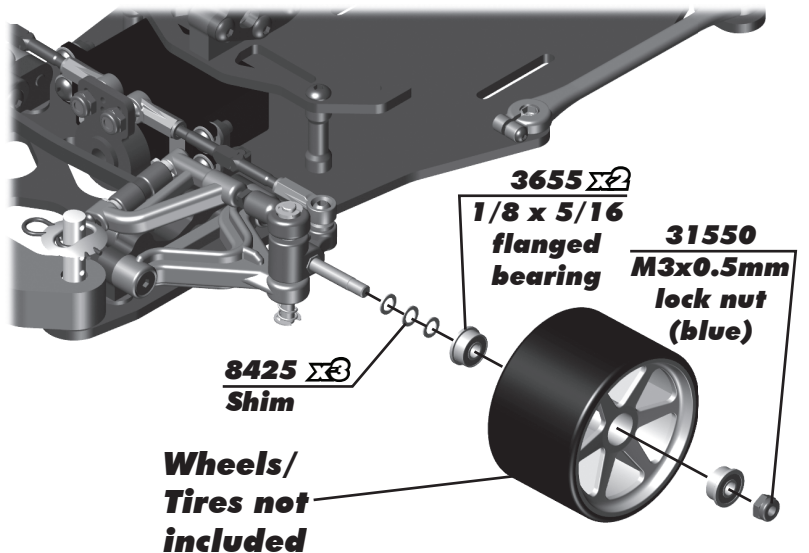
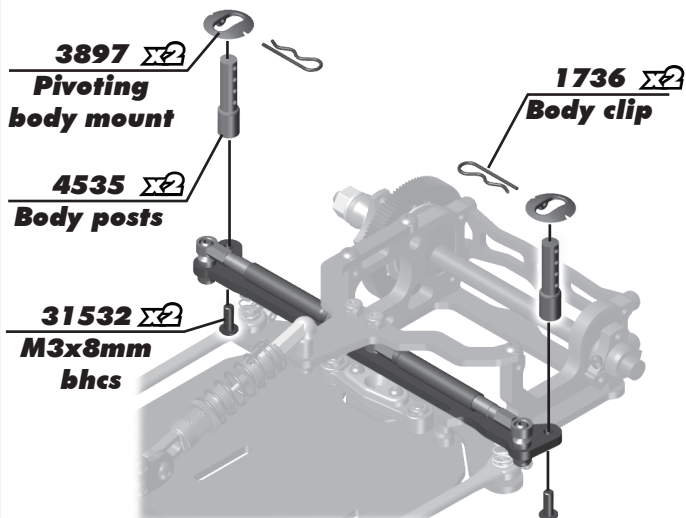


It is important that the turnbuckle eyelets move freely once snapped on to the ballstud. If the fit is too tight, the car handling will be inconsistent. To check, grab turnbuckle eyelet with fingers and rotate the cup. If there is resistance, lightly squeeze ball cup with needle nose pliers as shown and test again. It is important that the ball cup be snapped onto the ballstud before squeezing with needle nose pliers. Be sure to check and adjust the fit for each ball cup that is installed.

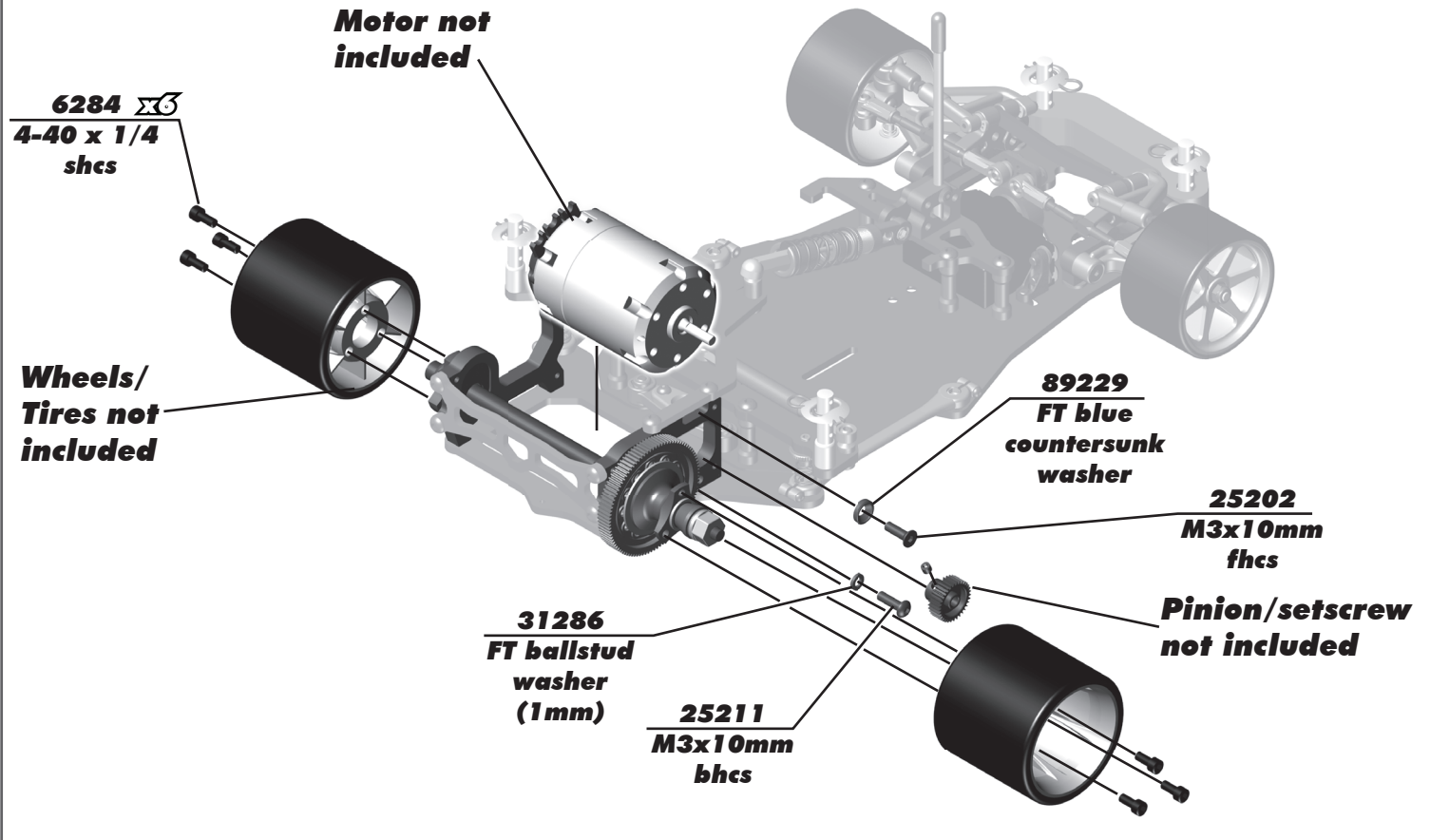
:: Body Mounts Build - Bag E-EE - Step 6



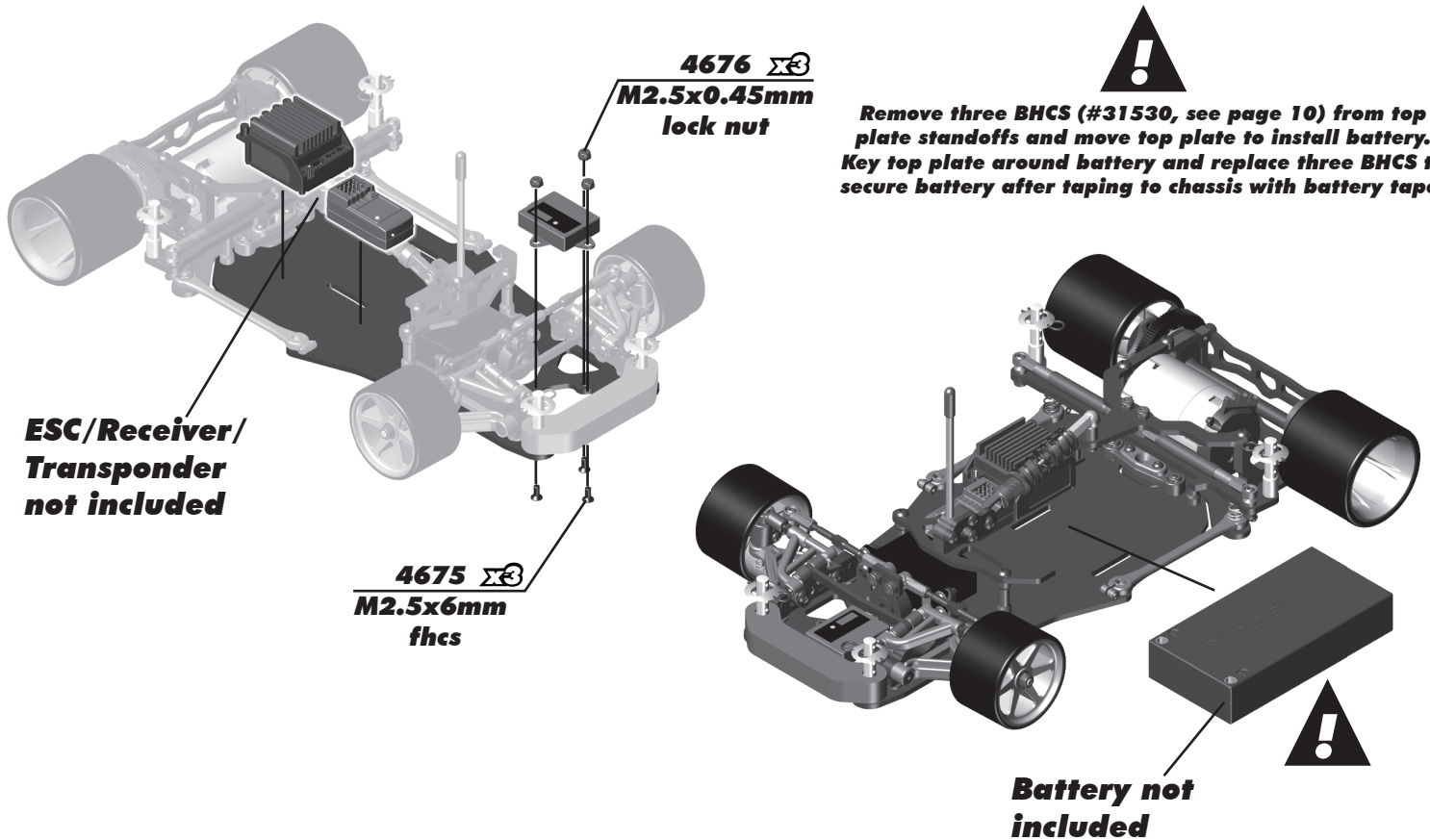
:: Body Mounts Build / Front Wheel Install - Bag E-EE - Step 7



:: Rear Wheel / Motor Install - Bag E-EE - Step 8



:: Electronics Install - Bag C - Step 3



:: Tuning Tips**FRONT****Camber:**

Camber is one of the most effective adjustments in tuning the car to the track conditions. In most situations only negative camber (where the top of the tire is leaning in) is recommended. The typical setting for camber in the front wheels is -1 degree. Adding more negative camber will give more steering, making the car feel more aggressive. Likewise, adding more positive camber will make the car more stable and be easier to drive.

Caster:

Caster describes the angle of the kingpin from vertical when looking at the side of the car. Adding angle to the kingpin, or "caster", controls the amount of camber gain at the front wheels through steering angle. Negative caster means leaning the top of the kingpin toward the back of the car, and it adds negative camber on the outside front wheel during steering. Using less negative caster will give less steering entering the corner, making the car feel smoother and more stable. The standard setting of -3.25 degrees is good for most conditions, and -1.80 degrees is a good setting for extremely high traction conditions.

Active Strut Upper Arm Mount:

The active strut system dynamically controls caster through suspension travel. The active strut upper arm mount adds an angle to the upper arm hinge pin, pointing the front of the pin down. This angle causes caster to become more positive as the suspension is compressed. Increasing the angle in the active strut upper arm mount will give more entry steering, but less mid-corner steering. In most conditions, the standard setting of 10 degrees is optimal. In bumpy, or very high bite conditions, using the 5 degree active strut position can help to make the car more consistent through the corner.

Kingpin Damping:

Damping is added to the front suspension by applying silicone diff fluid to the outside of the kingpin below the bottom of the pivot ball in the lower suspension arm. This is a necessary and highly effective adjustment to the front suspension. Typical diff fluid weights for damping the kingpin spring vary from 5K to 60K. The standard starting point for silicone fluid is 30,000wt. With slower spec motors, and in high bite conditions, 60,000wt can help to make the car more consistent through the corner.

Kingpin Spring:

The kit standard spring has a wire diameter of 0.020", and is optimal for most conditions. If the racing surface is bumpy or low grip, softer, 0.018" springs can help give the car more steering and consistency.

REAR**Rear Suspension Linkage:**

It is extremely important that the rear pod linkage can pivot freely and doesn't have any bind. The best way to check the linkage is to remove the pod plates from the lower plate, this makes it much easier to feel any binding. We recommend checking the rear linkage after a hard crash as the center pivot can shift slightly possibly causing rear suspension bind. If the suspension is not free, loosen the 2 screws that hold the center pivot to the chassis. Place the chassis and rear pod on a flat surface, carefully tighten each of the screws holding the center pivot. Now check the movement of the rear pod to be sure it's free.

Side Damping:

Side damping is controlled by the damper tubes, and can be adjusted by changing the silicone "lube" that is applied to the damper shaft. Increasing the thickness of the lube will increase the side damping, slowing down the speed at which the rear end of the chassis will transition side-to-side. Increased side damping will help to make the car more stable in high grip conditions. The standard lube for is 1000cst, increasing to 2000cst or 3000cst will help to make the car more stable when the grip levels are higher.

Center Spring:

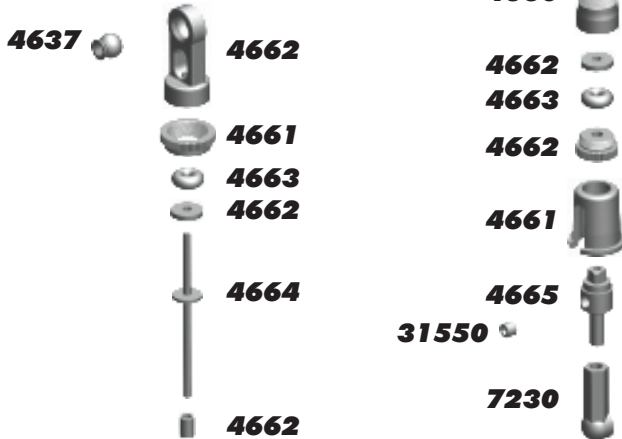
The center spring controls the ride height of the chassis as it is loaded over bumps in the track, and as the car accelerates and decelerates. This adjustment is mainly relative to the mass of the chassis with all electronics and body included. The kit standard blue spring is a good starting point for most racing conditions with 3.7V LiPo packs. In bumpier track conditions, a softer center spring and more droop can help give more grip to the rear end of the car. With heavier 4.8V NiMH packs, a stiffer red spring may be necessary to help keep the chassis from bottoming out on the track.

Center Damping:

Center damping controls the speed that the chassis will change ride height as it is loaded over bumps, and as the car accelerates and decelerates. Using between 25wt and 35wt is a good match for the standard gold spring. Thicker oil will help to stiffen the rear of the car, giving it more mid-corner steering. Likewise, thinner oil can help give the car more rear grip in low bite track conditions.

:: Shocks

4637	12R5 Pivot Ball	8
4660	12R5 Shock Body	1
4661	12R5 Shock Collar & Cup	4
4662	12R5 Shock Rebuild Kit	1
4663	Micro VCS O-Ring	8
4664	12R5 Thru Shaft	1
4665	12R5 Shock Rod End	1
4666	12R5 Shock Kit	1
7230	Ball Cup	14
31500	Set Screw 3x2.5mm	6



:: Springs

4113	King Pin Springs (.020) - KIT	2
4114	King Pin Springs (.018)	2
4116	King Pin Springs (.024)	2
4117	King Pin Springs (.022)	2
4118	King Pin Springs (.014)	2
4119	King Pin Springs (.016)	2
4475	Micro VCS Springs Black (4.00 LB)	2
4476	Micro VCS Springs Green (6.00 LB)	2
4641	Side Springs Black (3.75 LB)	2
4642	Side Springs Green (4.38 LB)	2
4643	Side Springs Silver (5.00 LB)	2
4644	Side Springs Blue (5.63 LB) - KIT	2
4645	Side Springs Gold (6.25 LB)	2
8449	Micro VCS Springs Copper (16 LB)	2
8451	Micro VCS Springs Silver (8 LB)	2
8452	Micro VCS Springs Blue (10 LB)	2
8453	Micro VCS Springs Gold (12 LB) - KIT	2
8454	Micro VCS Springs Red (14 LB)	2

4113-4119
4641-4645
4475, 4476, 8449, 8451-8454

:: Shock Fluid

5420	10 Weight Silicone Shock Fluid	2oz.
5421	20 Weight Silicone Shock Fluid	2oz.
5422	30 Weight Silicone Shock Fluid	2oz.
5423	40 Weight Silicone Shock Fluid	2oz.
5424	22.5 Weight Silicone Shock Fluid	2oz.
5425	80 Weight Silicone Shock Fluid	2oz.
5426	27.5 Weight Silicone Shock Fluid	2oz.
5427	15 Weight Silicone Shock Fluid	2oz.
5428	25 Weight Silicone Shock Fluid	2oz.
5429	35 Weight Silicone Shock Fluid	2oz.
5430	45 Weight Silicone Shock Fluid	2oz.
5431	55 Weight Silicone Shock Fluid	2oz.
5432	32.5 Weight Silicone Shock Fluid	2oz.
5433	37.5 Weight Silicone Shock Fluid	2oz.
5434	42.5 Weight Silicone Shock Fluid	2oz.
5435	50 Weight Silicone Shock Fluid	2oz.
5436	60 Weight Silicone Shock Fluid	2oz.
5437	70 Weight Silicone Shock Fluid	2oz.
5438	47.5 Weight Silicone Shock Fluid	2oz.



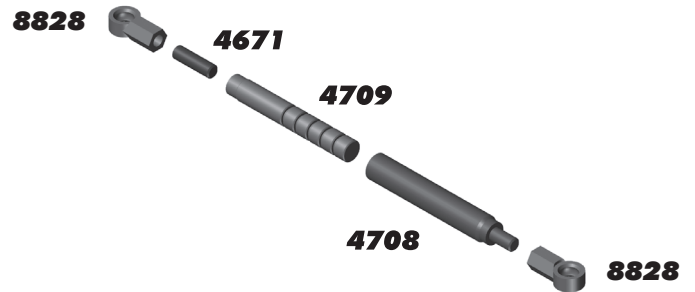
:: Turnbuckles

1402	FT Blue Titanium Turnbuckles 1.375"	Pr.
1403	FT Blue Titanium Turnbuckle 1.65" - Kit	Pr.
1405	FT Blue Titanium Turnbuckle 1.875"	Pr.
1418	FT Blue Titanium Turnbuckle 0.825"	Pr.
31305	Turnbuckle Eyelet	14



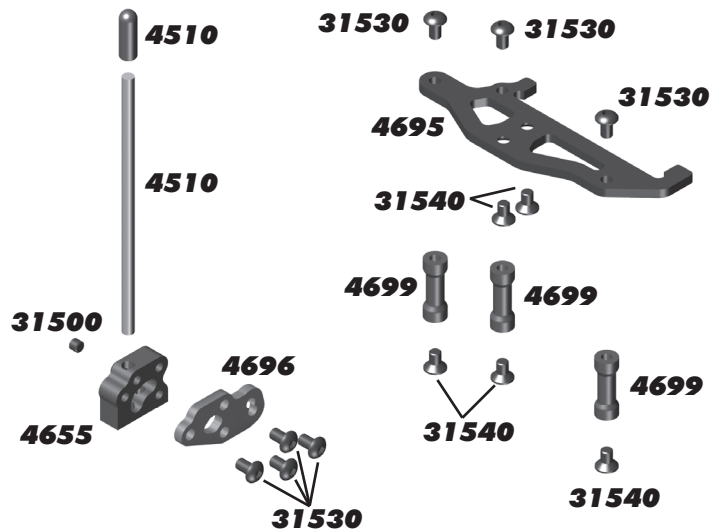
:: Damper Tubes

4671	M3x10mm Setscrew	6
4708	Damper Tube	2
4709	Damper Tube Shaft	2
8828	Anti Roll Bar Cup Set	1



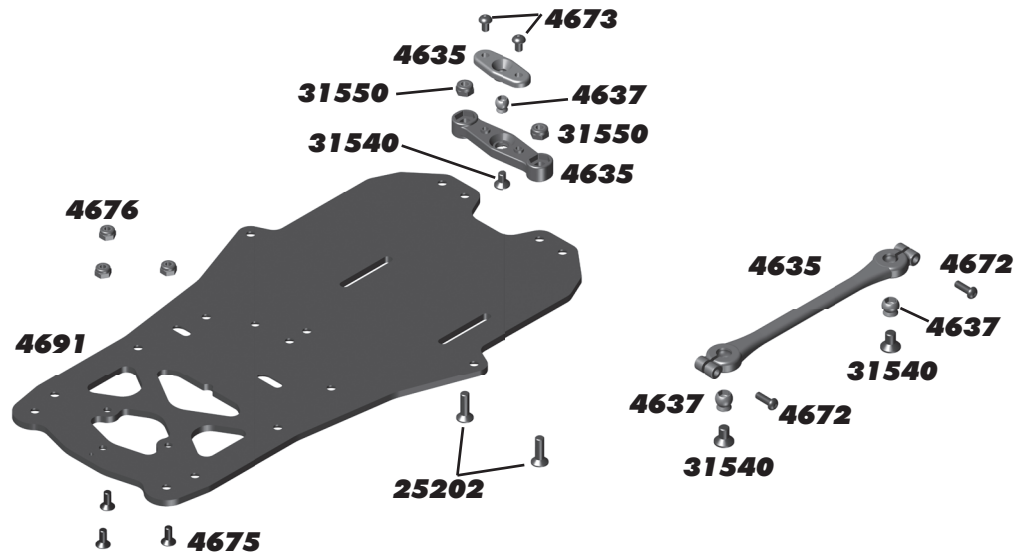
:: Top Plate / Center Shock Mount

4510	Antenna Rod, fiberglass, with end cap	1
4655	FT Shock Mount Brace	1
4695	12R5.1 LiPo Top Plate	1
4696	12R5.1 LiPo Shock Mount Upright	1
4699	12R5.1 LiPo Standoff	5
31500	M3 x 2.5mm Set Screw	6
31530	M3 x 5mm BHCS	6
31540	M3 x 5mm FHCS	6



:: Chassis / Pivots / Links

4635	Pivot Brace/Pod Link Set	1
4637	FT Pivot Ball	8
4672	M2 x 6mm BHCS	6
4673	M2.5 x 4mm BHCS	6
4675	M2.5 x 6mm FHCS	6
4676	M2.5 x 0.45mm Locknut	6
4691	12R5.1 LiPo Chassis	1
25202	M3 x 10mm FHCS	20
31540	M3 x 5mm FHCS	6
31550	FT M3 Locknut, blue aluminum	6



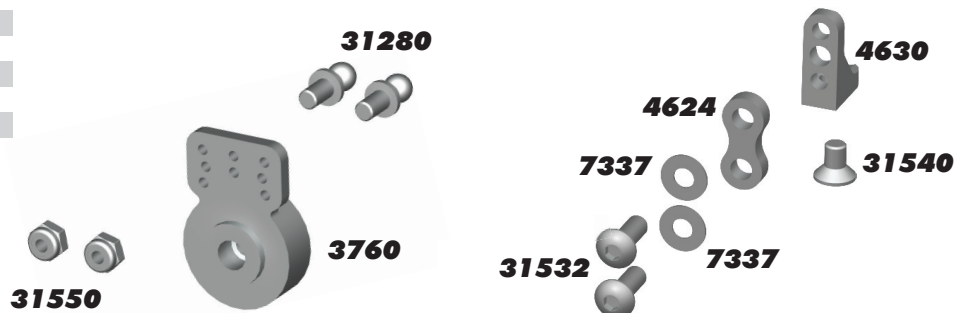
:: Front Bumper

1736	FT Body Clips, blue	6
3897	Pivoting Body Mounts	4
4535	Body Posts	2
4653	12R5 Foam Bumper	1
25201	M3 x 8mm FHCS	20



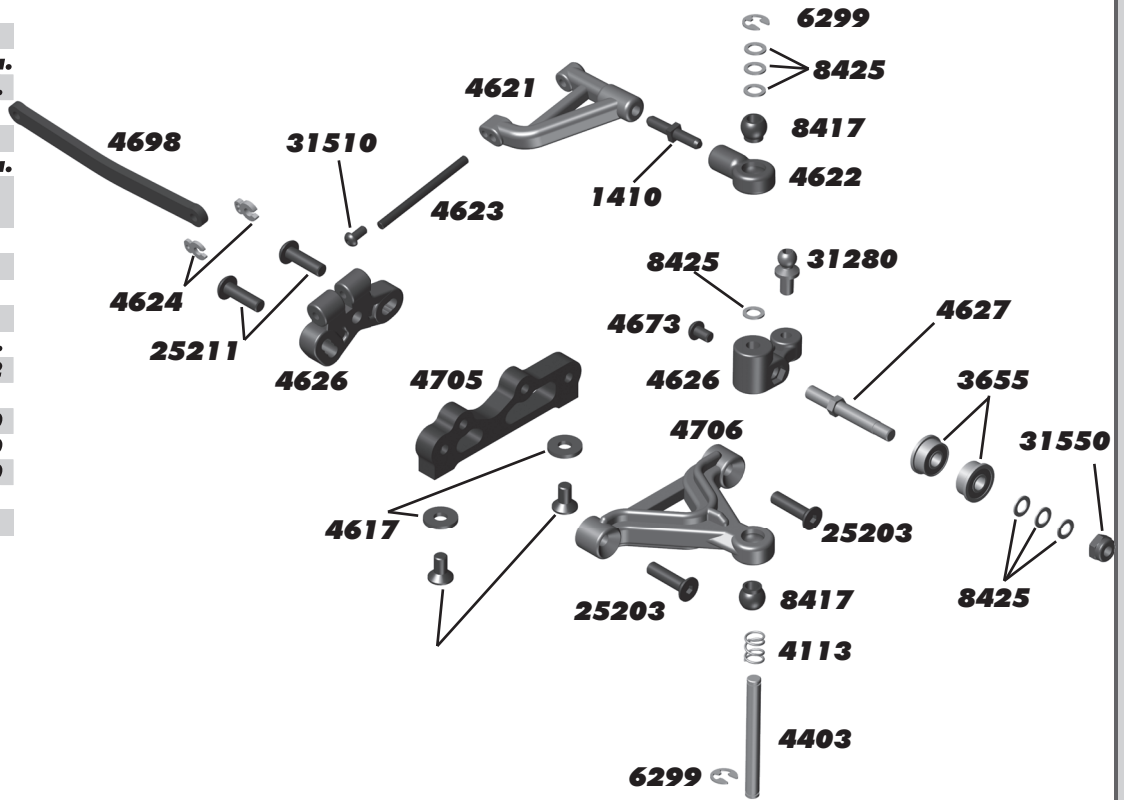
:: Servo / Servo Saver

3760	Servo Saver, Airtronics	1
4624	12R5 Caster / Servo Spacer	2ea
4630	12R5 Servo Mount	2
7337	.250 x .125 x .015 Washer	4
25162	Servo Saver, XP/Futaba	1
25167	Servo Saver, Airtronics, JR	1
31280	5mm Ballstud, Short	6
31532	M3 x 8mm BHCS	6
31540	M3 x 5mm FHCS	6
31550	M3 Aluminum Lock Nut	6



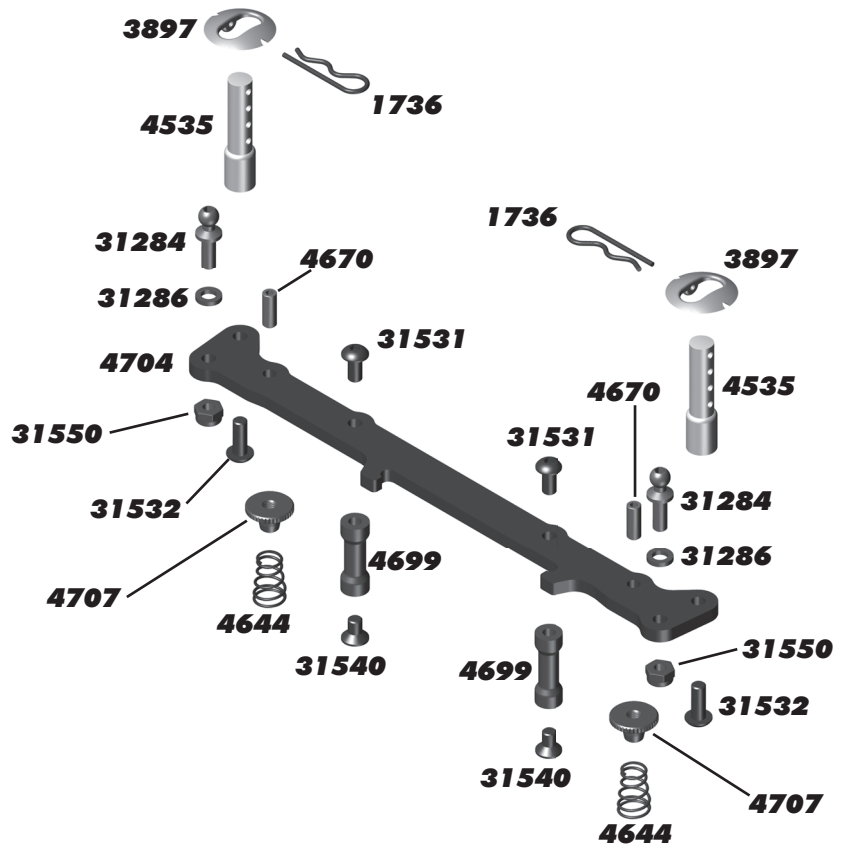
:: Front Bulkhead

1410	FT Ti Turnbuckle, .630", blue	2
3655	Bearing, .1/8 x 5/16	2
4113	King Pin Springs (.020)	2
4403	Kingpin, 1:12 scale	2
4617	Bulkhead Shims	4ea.
4621	Upper Arm	Pr.
4622	Upper Arm Eyelet	4
4623	Upper Hinge Pin	2
4624	Caster/Servo Spacer	2ea.
4626	Upper Arm Mount, Steering Block	2
4627	Front Axle	2
4673	M2.5 x 4mm BHCS	6
4698	Hinge Pin Brace	1
4705	Front Bulkhead	1
4706	Lower Arm	Pr.
6299	E-Clip, 1/8"	12
8417	Pivot Ball	4
8425	Kingpin Shim	10
25203	M3 x 12mm FHCS	20
25211	M3 x 10mm BHCS	20
31280	Ballstud, short, 5mm	6
31510	M2 x 4mm BHCS	6
31550	FT M3 Locknut, blue aluminum	6



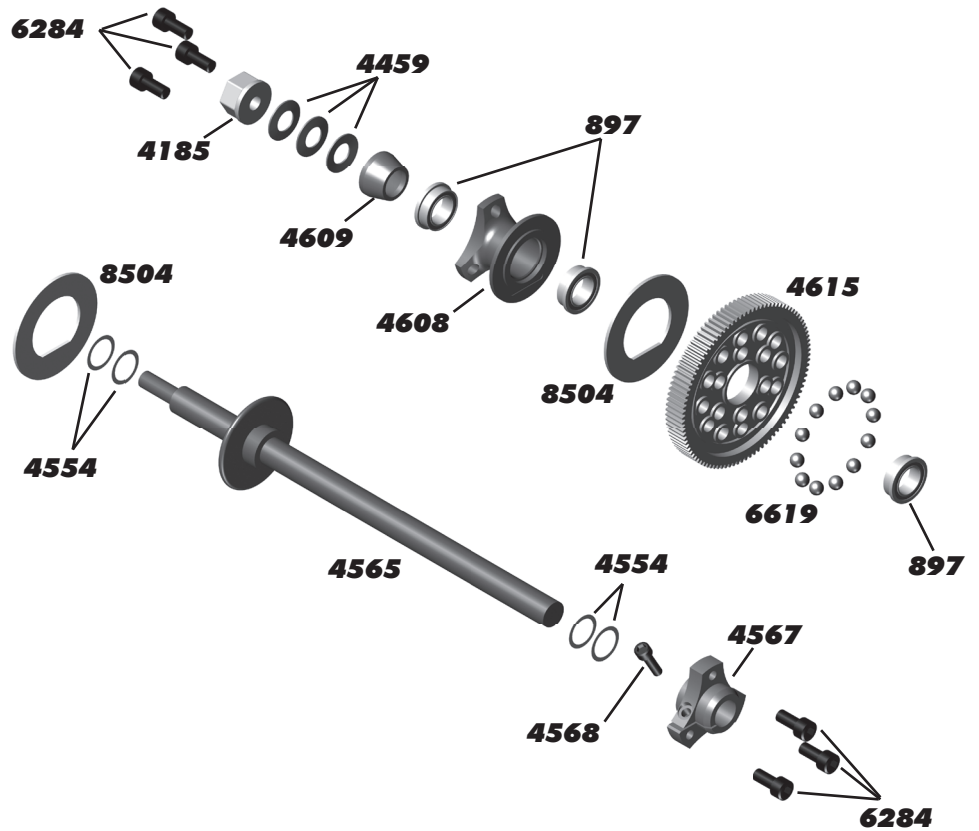
:: Rear Chassis Brace

1736	FT Body Clips, metallic blue. Short	6
3897	Pivoting Body Mounts, 8 body clips	4
4535	Front and Rear Body Mounts	2
4644	Side Spring, Blue, 5.63 lbs	2
4670	M3 x 8mm Set Screw	6
4699	12R5.1 LiPo Standoff	5
4704	12R5.2 Chassis Brace	1
4707	Side Spring Retainer	2
31284	Ballstud, long, 8mm	6
31286	FT Ballstud Washer, aluminum Set	1
31531	M3 x 6mm BHCS	6
31532	M3 x 8mm BHCS	6
31540	M3 x 5mm FHCS	6
31550	FT M3 Locknut, blue aluminum	6



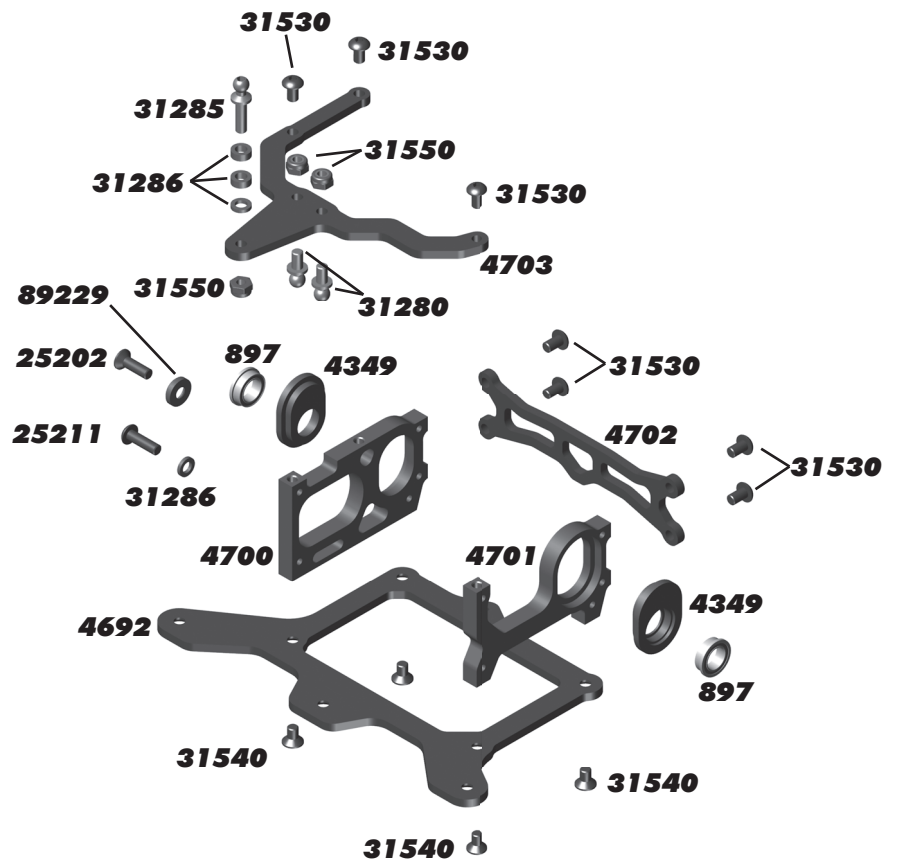
:: Rear Axle / Differential

897	Bearing, 3/8 x 1/4, flanged	2
4185	8-32 Nylon Locknut	6
4459	Belleville Washer	3
4462	100T, 64 pitch Spur Gear	1
4554	Rear Axle .005 Shim	6
4565	FT Rear Axle	1
4567	FT Wheel Hub, left side,	1
4568	2-56 x 5/16" SHCS,	6
4608	FT RC12R5 Hub	1
4609	RC12R5 Thrust Cone	1
4615	96T, 64 pitch Spur Gear - Kit	1
6284	FT 4-40 X 1/4" SHCS, blue aluminum	12
6619	FT 1/8" Carbide Diff Balls	8
8504	D-Drive Ring, for axle	2



:: Rear Bulkhead

897	Bearing, 3/8 x 1/4, flanged	2
4348	Axle Height Adjuster, #0	2
4349	Axle Height Adjuster, #1 - Kit	2
4350	Axle Height Adjuster, #2	2
4351	Axle Height Adjuster, #4	2
4692	Lower Pod Plate	1
4700	Motor Mount	1
4701	LR Bulkhead	1
4702	Motor Mount Brace	1
4703	Upper Pod Plate	1
25202	M3 x 10mm FHCS	20
25211	M3 x 10mm BHCS	20
31280	Ballstud, short, 5mm	6
31285	Ballstud, long, 10mm	6
31286	FT Ballstud Washer, aluminum Set	1
31530	M3 x 5mm BHCS	6
31540	M3 x 5mm FHCS	6
31550	FT M3 Locknut, blue aluminum	6
89229	FT Blue Countersunk Washer	10



:: Reedy Motors and ESC's

940	Reedy Sonic 21.5 Stock (sensored)	1
941	Reedy Sonic 17.5 Stock (sensored)	1
941S	Sonic 540 17.5 Replacement Stator	1
942	Reedy Sonic 13.5 Stock (sensored)	1
943	Reedy Sonic 10.5 Modified (sensored)	1
944	Reedy Sonic 9.5 Modified (sensored)	1
945	Reedy Sonic 8.5 Modified (sensored)	1
946	Reedy Sonic 7.5 Modified (sensored)	1
947	Reedy Sonic 6.5 Modified (sensored)	1
948	Reedy Sonic 5.5 Modified (sensored)	1
949	Reedy Sonic 5.0 Modified (sensored)	1
950	Reedy Sonic 4.5 Modified (sensored)	1
951	Reedy Sonic 4.0 Modified (sensored)	1
952	Reedy Sonic 3.5 Modified (sensored)	1
954	Sonic 540 Stock Rotor 12.3 x 24.2 (7.25)	1
955	Sonic 540 Stock Rotor 12.3 x 25.0 (7.25)	1
956	Sonic 540 Stock Rotor 12.5 x 25.0 (7.25)	1
957	Sonic 540 Modified Rotor 12.2 x 25.0 (5.0)	1
958	Sonic 540 Modified Rotor 12.5 x 25.0 (5.0)	1
987	Sonic 540 Modified Rotor 12.5 x 25.0 (5.0)	1
29225	Sonic 540 9.5/LRP SXX Competition V2 ESC Combo	1
29226	Sonic 540 8.5/LRP SXX Competition V2 ESC Combo	1
29227	Sonic 540 7.5/LRP SXX Competition V2 ESC Combo	1
29228	Sonic 540 6.5/LRP SXX Competition V2 ESC Combo	1
29229	Sonic 540 5.5/LRP SXX Competition V2 ESC Combo	1
29230	Sonic 540 5.0/LRP SXX Competition V2 ESC Combo	1
29234	Sonic 540 21.5/LRP SXX Stock Spec V2 ESC Combo	1
29235	Sonic 540 17.5/LRP SXX Stock Spec V2 ESC Combo	1
29236	Sonic 540 13.5/LRP SXX Stock Spec V2 ESC Combo	1
29237	Sonic 540 10.5/LRP SXX Stock Spec V2 ESC Combo	1
29238	Sonic 540 9.5/LRP SXX TC-Spec V2 ESC Combo	1
29239	Sonic 540 8.5/LRP SXX TC-Spec V2 ESC Combo	1
29240	Sonic 540 7.5/LRP SXX TC-Spec V2 ESC Combo	1
29241	Sonic 540 6.5/LRP SXX TC-Spec V2 ESC Combo	1
29242	Sonic 540 5.5/LRP SXX TC-Spec V2 ESC Combo	1
29243	Sonic 540 5.0/LRP SXX TC-Spec V2 ESC Combo	1
29244	Sonic 540 4.5/LRP SXX TC-Spec V2 ESC Combo	1
29245	Sonic 540 4.0/LRP SXX TC-Spec V2 ESC Combo	1
29246	Sonic 540 3.5/LRP SXX TC-Spec V2 ESC Combo	1

:: Reedy Accessories

605	Motor Cooling Fans (2)	1
606	Charge Harness 2S Saddle Pack 4mm	1
607	Charge Harness 2S Standard Pack 4mm	1
651	Battery Bars (8)	1
653	Battery Bars (100)	1
654	4.0mm plugs (2M, 2F)	1
655	4.0mm plugs (2M, 10F)	1
656	4.0mm plugs (10F)	1
658	4.0mm plugs (10M)	1
659	4.0mm plugs (30M)	1
660	3.5mm plugs (3M, 3F)	1
661	3.5mm plugs (10F)	1
663	3.5mm plugs (10M)	1
664	3.5mm plugs (30M)	1
665	Single Cell Shrink - Clear (12)	1
667	Single Cell Shrink - Clear (100)	1
716	Reedy 09 Decal Set	1
959	Sonic 540/550 Sensor w/Bearing	1
960	Sonic 540/550 Insulator Set (2 pcs.)	1
961	Sonic 540/550 Timing Cap w/Screws	1
962	Sonic 540 Case Screws (3 pcs.)	1
972	Sonic 540 Steel Bearing Set	1
973	Sonic 540 Ceramic Bearing Set	1
978	Flat Sensor Wire 70mm	1
979	Flat Sensor Wire 110mm	1
980	Flat Sensor Wire 150mm	1
981	Flat Sensor Wire 200mm	1
982	Flat Sensor Wire 270mm	1
992	Sonic 540 Rotor Spacers	1

:: Reedy Batteries and Chargers

302	AA Alkaline 1.5V (4)	1
303	AA 2700mAh NiMH 1.2V Rechargeable (4)	1
307	LiFe Pro RX Battery 250mAh 6.6V	1
600	LiPo 65C 6500mAh 3.7V	1
604	Reedy 526-S AC/DC 2S-6S Cell LiPo/LiFe Charger	1
629	LiPo 60C 5500mAh 3.7V	1
632	TX Lightweight Battery 1350mAh 11.1V	1
633	TX Battery - 3PK, M11 3000mAh 11.1V	1
634	TX Battery - Helios, Z1 2400mAh 11.1V	1
637	TX Battery - M11X 2500mAh 7.4V	1

:: LRP Speed Controls

LRP80705	SPX Zero	1
LRP80905	SXX Comp v.2 Speed Control	1
LRP80915	SXX Stock-Spec v.2	1
LRP80955	SXX TC-Spec v.2 Speed Control	1

:: LRP Brushless Motors / Combos

LRP50430	Vector K4 6.5 Turn	1
LRP50440	Vector K4 8.5 Turn	1
LRP50450	Vector K4 10.5 Turn	1
LRP50460	Vector K4 13.5 Turn	1
LRP50480	Vector K4 17.5 Turn	1
LRP50643	Vector X-20 10.5 Turn	1
LRP50644	Vector X-20 9.5 Turn	1
LRP50654	Vector X-20 8.5 Turn	1
LRP50664	Vector X-20 7.5 Turn	1
LRP50674	Vector X-20 6.5 Turn	1
LRP50684	Vector X-20 5.5 Turn	1
LRP50689	Vector X-20 5.0 Turn	1
LRP50694	Vector X-20 4.5 Turn	1
LRP50704	Vector X-20 4.0 Turn	1
LRP50832	Vector X-12 Stockspec 10.5 Turn	1
LRP50842	Vector X-12 Stockspec 13.5 Turn	1
LRP50852	Vector X-12 Stockspec 17.5 Turn	1
LRP50862	Vector X-12 Stockspec 21.5 Turn	1
LRP80677	SXX SS v.2 / 10.5T SS	1
LRP80678	SXX SS v.2 / 13.5T SS	1
LRP80679	SXX SS v.2 / 17.5T SS	1
LRP80680	SXX SS v.2 / 21.5T SS	1

:: LRP Misc.

LRP50621	X-12 Optional Ceramic Ball Bearings	1
LRP50622	X-12 Small Parts Set	1
LRP50623	X-12 PreciSensor Unit	1
LRP50626	X-12 Alum Rear Cover	1
LRP50632	X-12 12.0mm Sintered Rotor	1
LRP50634	X-12 13.0mm Sintered Rotor	1
LRP50635	X-12 Stock Spec Rotor 12.45mm	1
LRP50636	Works Team X-12 12.0mm Rotor	1
LRP50637	Works Team X-12 12.5mm Rotor	1
LRP50638	Works Team X-12 13.0mm Rotor	1
LRP50639	X-12 Stock Spec 1S LiPo Rotor	1
LRP80135	BEC Stabilizing Capacitor	1
LRP82512	SXX Low Profile Fan	1
LRP82515	30mm Motor Fan/Clamp, Gunmetal	1
LRP82520	Radical Cooling Set, Blue	1
LRP82530	SXX Power Cap 3.7-4.8V	1
LRP82531	SXX Power Cap 6.0-7.4V	1
LRP819307	70mm High Flex Sensor Wire	1
LRP819310	100mm High Flex Sensor Wire	1
LRP819315	150mm High Flex Sensor Wire	1
LRP819320	200mm High Flex Sensor Wire	1

:: LRP Chargers, Soldering Irons

LRP41281	Quadra Pro 2 Charger	1
LRP41555	Pulsar Touch Competition Charger	1
LRP42103	LiPo Balance Board XH	1
LRP42104	LiPo Balance Board FP/TP	1
LRP42105	LiPo Balance Board PQ	1
LRP42305	Pulsar Touch Temperature Sensor	1
LRP42306	Pulsar Touch Sensor Wire Splitter	1
LRP43200	LRP Competition 20A Power Supply	1
LRP45200	LiPo Parallel Balancer	1
LRP65800	High Power Solder Station	1
LRP65802	Soldering Tip 5mm	1
LRP65803	Soldering Tip 1.2mm	1
LRP65804	Soldering Handle	1

:: XP Electronics

29125	S1903MG Servo	1
29126	S2008MG Servo	1
29143	XP SC700-BL Brushless ESC	1
29145	XP SC1300-BL Brushless ESC	1
29166	XP DS1313 Digital Servo	1
29167	XP DS1015 Digital Servo	1
29209	Gear Set, DS1313	1
29210	Gear Set, DS1015	1
29211	Servo Case, DS1313/DS1015	1
29212	Accessory Pack, DS1313/DS1015	1
29217	TRS402SSi 2.4GHz 4Ch Receiver	1
29218	XP2-SSi 2.4GHz Radio System	1
29221	XP3-SS 2.4GHz Radio System	1
29222	TRS401SS 2.4GHz 4Ch Receiver	1

:: Apparel

SP35**	Reedy 09' White T-Shirt (M, L, XL, 2XL, 3XL)	1
SP36**	Reedy 09' Black T-Shirt (M, L, XL, 2XL, 3XL)	1
SP37**	Reedy 2012 T-shirt - Black (S, M, L, XL, 2XL, 3XL)	1
SP38**	Reedy Trucker Hat	1
SP39**	Reedy Patch	1
SP66**	AE Stencil Blue T-Shirt (S, M, L, XL, 2-6XL)	1
SP67**	AE Stencil Gray Sweatshirt (S, M, L, XL, 2XL, 3XL)	1
SP69**	AE 26 Time World Championship T-Shirt, Black (S, M, L, XL, 2XL, 3XL)	1
SP70**	Associated Windbreaker (S, M, L, XL, 2XL, 3XL)	1
SP71**	Associated Winter Jacket (S, M, L, XL, 2XL)	1
SP73**	AE Long Sleeve T-Shirt (S, M, L, XL, 2XL)	1
SP74**	AE White T-Shirt (S, M, L, XL, 2XL, 3XL, 4XL)	1
SP75**	AE Blue T-Shirt (S, M, L, XL, 2-6XL)	1
SP76**	AE Black T-Shirt (S, M, L, XL, 2XL, 3XL, 4XL)	1
SP411S	AE Hat 11' Flatbill Black S/M	1
SP411L	AE Hat 11' Flatbill Black L/XL	1
SP413S	26 Time World Championship Hat S/M	1
SP413L	26 Time World Championship Hat L/XL	1
SP417	1/10 FT Motor Bag	1
SP418	Factory Team 1/10 Car Carrier Bag	1
SP420**	AE Pit Gloves (M, L, XL)	Pr.
715	Reedy 2009 Track Banner	1
4710	12R5.2 Decal Sheet	1
110684	Team Associated Track Banner	1

:: Tools

1111	FT Turnbuckle Wrench	1
1450	FT Ride Height Gauge	1
1541	FT Hex Driver Set, (7 pcs)	1
1542	FT .050" Silver Hex Driver	1
1543	FT 1/16" Black Hex Driver	1
1544	FT 1.5mm Purple Hex Driver	1
1545	FT 5/64" Blue Hex Driver	1
1546	FT 3/32" Gold Hex Driver	1
1547	FT 2.5mm Green Hex Driver	1
1548	FT 3mm Red Hex Driver	1
1551	FT Screwdriver Set	1
1553	FT Phillips Silver Screwdriver	1
1554	FT Silver Spring Hook Tool	1
1561	FT Nut Driver Set, (6 pcs)	1
1562	FT 3/16" Black Nut Driver	1
1563	FT 1/4" Red Nut Driver	1
1564	FT 5.5mm Red Nut Driver	1
1565	FT 11/32" Green Nut Driver	1
1566	FT 7.0mm Silver Nut Driver	1
1567	FT 8mm Gold Nut Driver	1
1589	FT 5/64" Blue Ball Hex Driver	1
1590	FT 3/32" Gold Ball Hex Driver	1
1592	FT Ball Hex Driver Set, (3 pcs)	1
1655	FT 8-Piece 1/4" Hex Drive Set	1
1656	FT 1/4" Hex Drive Handle, without tips	1
1657	FT 1/4" Hex Drive .050" Tip	1
1658	FT 1/4" Hex Drive 1/16" Tip	1
1659	FT 1/4" Hex Drive 5/64" - 2.0mm Tip	1
1660	FT 1/4" Hex Drive 3/32" Tip	1
1661	FT 1/4" Hex Drive 1.5mm Tip	1
1662	FT 1/4" Hex Drive 2.5mm Tip	1
1663	FT 1/4" Hex Drive 3/16" Nut Driver Tip	1
1664	FT 1/4" Hex Drive 1/4" Nut Driver Tip	1
1665	FT 1/4" Hex Drive 11/32" Nut Driver Tip	1
1666	FT 1/4" Hex Drive 5.5mm Nut Driver Tip	1
1667	FT 1/4" Hex Drive 7.0mm Nut Driver Tip	1
1668	FT 1/4" Hex Drive 8.0mm Nut Driver Tip	1
1669	FT 1/4" Hex Drive 5/64" - 2.0mm Ball End Tip	1
1670	FT 1/4" Hex Drive 3/32" Ball End Tip	1
1671	FT 1/4" Hex Drive Standard Screwdriver Tip	1
1672	FT 1/4" Hex Drive Phillips Screwdriver Tip	1
1673	FT 1/4" Hex Drive 2.5mm Ball End Tip	1
1674	FT 1/4" 5 Piece Power Tool Tips Set (5/64-2.0mm, 1.5mm, 2.5mm, 5/64"- 2.0mm ball, 2.5mm ball)	1
1719	FT Camber + Track Width Tool	1
1737	FT Body Scissors	1
3718	12 Inch Nylon Wire Ties	12
3719	6 Inch Nylon Wire Ties	12
3720	8 Inch Nylon Wire Ties	12
3987	FT Droop Gauge	1
6429	Shock Building Tool	1
6956	Molded Tools, Set	1
7709	4 Inch Nylon Wire Ties	12

Associated Electrics, Inc.
 26021 Commercentre Drive
 Lake Forest, CA 92630-8853 USA
<http://www.TeamAssociated.com>
<http://www.RC10.com>
[http://twitter/Team Associated](http://twitter/TeamAssociated)
<http://bit.ly/AEonFacebook>

call: (949) 544-7500

fax: (949) 544-7501

Check out the following web sites for all of our electric kits & rtr's, current products, new releases, setup help, tips, and racing info!

www.TeamAssociated.com - www.RC10.com

** Use part number plus the desired size when ordering!

Front Suspension

Ride Height: 3.5mm Camber: -1°
 Droop: _____ Toe: +1° (out)

Front Arms

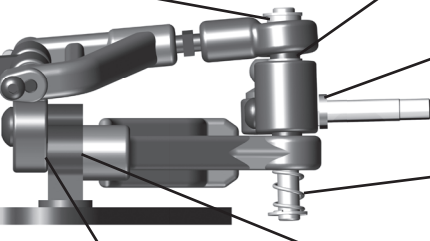
Upper Kingpin Shims
3 Shims (0.045")

Lower Kingpin Shims
1 Shim (0.015")

Axle Shims
1 Shim (0.015")

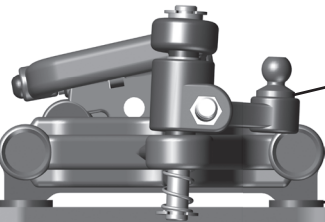
Spring: 0.020

Lube: 30,000 cst



Upper Arm Mount Spacer
None

Lower Arm Spacer
None



Bumpsteer Ball & Shims
Black +2mm

Ride Height Spacing
1mm

FR Shim

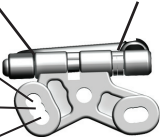
RR Shim

- 1.80° **Thick** **Thin**
- 3.25° **Thin** **Thick**
- 6.15° **-----** **Thick, Thin**

Front Shim

Rear Shim

- 10°
- 5°
- 0°



Rear Suspension

Ride Height: 3.5mm Droop: _____
 Ride Height Adjuster: 4 Axle Width: 168mm

Center Shock

Shock Length

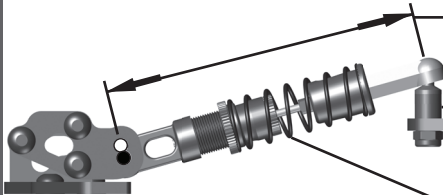
66.5mm

Upper Ball & Shims

Silver +5mm

Spring: Blue

Oil: 25wt



Damper Tubes & Side Springs

Lube

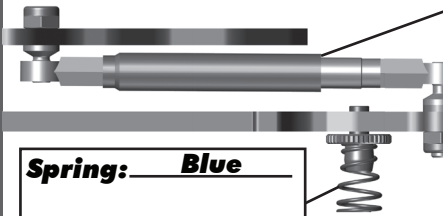
20,000 cst

Outer Ball & Shims

Silver +1mm

Spring: Blue

Preload: None



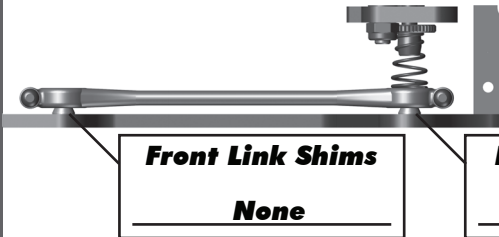
Rear Pod Links

Front Link Shims

None

Rear Link Shims

None



Front Tires

Tire: _____
 Diameter: _____
 Additive Amount: _____
 Additive Time: _____

Rear Tires

Tire: _____
 Diameter: _____
 Additive Amount: _____
 Additive Time: _____

LF

RF

LR

RR

Motor/Battery

Motor: _____
 Timing: _____ Gearing: _____ / _____
 Rollout: _____
 Battery: _____
 Notes: _____

Radio

Radio: _____
 Turning Circle: _____
 Steering Expo: _____
 Brake E.P.: _____
 Throttle Expo: _____

Body

Body Type: _____
 Notes: _____

Speed Control

S.C. Type: _____
 S.C. Settings: _____
 S.C. Software: _____
 Notes: _____

Race and Vehicle Comments

Qualify: _____ Main: _____ Finish: _____ TQ: _____
 Comments: _____



Track Info

Traction: High Medium Low
 Surface: Carpet Asphalt
 Smooth Bumpy

Other: _____

:: Hardware - 1:1 Scale View






Socket Head (shcs)

-  **2-56x5/16" (4568)**
-  **4-40x1/4" (6284)**





Shims and Washers

-  **.030 Washer (9630)**
-  **Kingpin SHim (8425)**
-  **Blue Aluminum Shims
1mm, 2mm (31286)**
-  **Gold Washer (7337)**
-  **Bulkhead Shim (4617)
0.5mm, 1mm, 2mm**
-  **T-Plate Spacers (4650)**
-  **Rear Axle Shim
.005" (4554)**



Flat Head (fhcs)

-  **2.5x6mm (4675)**
-  **3x5mm (31540)**
-  **3x8mm (25201)**
-  **3x10mm (25202)**
-  **2-56x3/8 (31125)**

Set screw

-  **3x2.5mm (31500)**
-  **3x5mm (89219)**
-  **3x8mm (4670)**
-  **3x16mm (4689)**



Ball Bearings

-  **Rear Axle Bearing (897)
.250 x .375 x .125**
-  **Front Wheel Bearing (3655)
.125 x .313**

Button Head (bhcs)

-  **2x4mm (31510)**
-  **2x6mm (4672)**
-  **2.5x4mm (4673)**
-  **3x6mm (31531)**
-  **3x8mm (31532)**
-  **3x10mm (25211)**







Nuts (lock/plain)

-  **M2.5 Locknut (4676)**
-  **M3 Locknut (31550)**

Pivot Balls

-  **Hard Anodized Pivot Ball (4637)**
-  **Plastic Pivot Ball (8417)**

Ballstuds

-  **Black 5mm short (31280)
(Ti Nitride 5mm short, 31288)**
-  **Silver 8mm short (31283)
(Ti Nitride 5mm long, 31291)**
-  **Black 8mm short (31281)
(Ti Nitride 8mm short, 31289)**
-  **Silver 8mm long (31284)
(Ti Nitride 8mm long, 31292)**
-  **Black 10mm short (31285)
(Ti Nitride 10mm short, 31290)**
-  **Silver 10mm long (31285)
(Ti Nitride 10mm long, 31293)**

Notes:

Front Suspension

Ride Height: _____ Camber: _____
 Droop: _____ Toe: _____

Front Arms

Upper Kingpin Shims _____
 Lower Kingpin Shims _____
 Axle Shims _____
 Spring: _____
 Lube: _____

Upper Arm Mount Spacer _____
 Lower Arm Spacer _____

Bumpsteer Ball & Shims _____
 Ride Height Spacing _____

FR Shim	RR Shim	Front Shim	Rear Shim
<input type="checkbox"/> 1.80° Thick	<input type="checkbox"/> Thin	<input type="checkbox"/> 10°	<input type="checkbox"/> _____
<input type="checkbox"/> 3.25° Thin	<input type="checkbox"/> Thick	<input type="checkbox"/> 5°	<input type="checkbox"/> _____
<input type="checkbox"/> 6.15° -----	<input type="checkbox"/> Thick, Thin	<input type="checkbox"/> 0°	<input type="checkbox"/> _____

Rear Suspension

Ride Height: _____ Droop: _____
 Ride Height Adjuster: _____ Axle Width: _____

Center Shock

Shock Length _____
 Upper Ball & Shims _____
 Spring: _____
 Oil: _____

Damper Tubes & Side Springs

Lube _____
 Outer Ball & Shims _____
 Spring: _____
 Preload: _____

Rear Pod Links

Front Link Shims _____
 Rear Link Shims _____

Front Tires

Tire: _____
 Diameter: _____
 Additive Amount: _____
 Additive Time: _____

LF	RF

Rear Tires

Tire: _____
 Diameter: _____
 Additive Amount: _____
 Additive Time: _____

LR	RR

Motor/Battery

Motor: _____
 Timing: _____ Gearing: _____ / _____
 Rollout: _____
 Battery: _____
 Notes: _____

Radio

Radio: _____
 Turning Circle: _____
 Steering Expo: _____
 Brake E.P.: _____
 Throttle Expo: _____

Body

Body Type: _____
 Notes: _____

Speed Control

S.C. Type: _____
 S.C. Settings: _____
 S.C. Software: _____
 Notes: _____

Race and Vehicle Comments

Qualify: _____ Main: _____ Finish: _____ TQ: _____
 Comments: _____

Track Info

Traction: High Medium Low
 Surface: Carpet Asphalt
 Smooth Bumpy
 Other: _____



**Associated Electrics, Inc.
26021 Commercentre Dr.
Lake Forest, CA 92630 USA**

<http://www.TeamAssociated.com>

<https://www.RC10.com>

https://twitter/Team_Associated

<https://bit.ly/AEonFacebook>

call: (949) 544-7500 - fax: (949) 544-7501

**Check out the following web sites for all of our kits,
current products, new releases, setup help, tips, and racing info!
www.TeamAssociated.com - www.RC10.com**