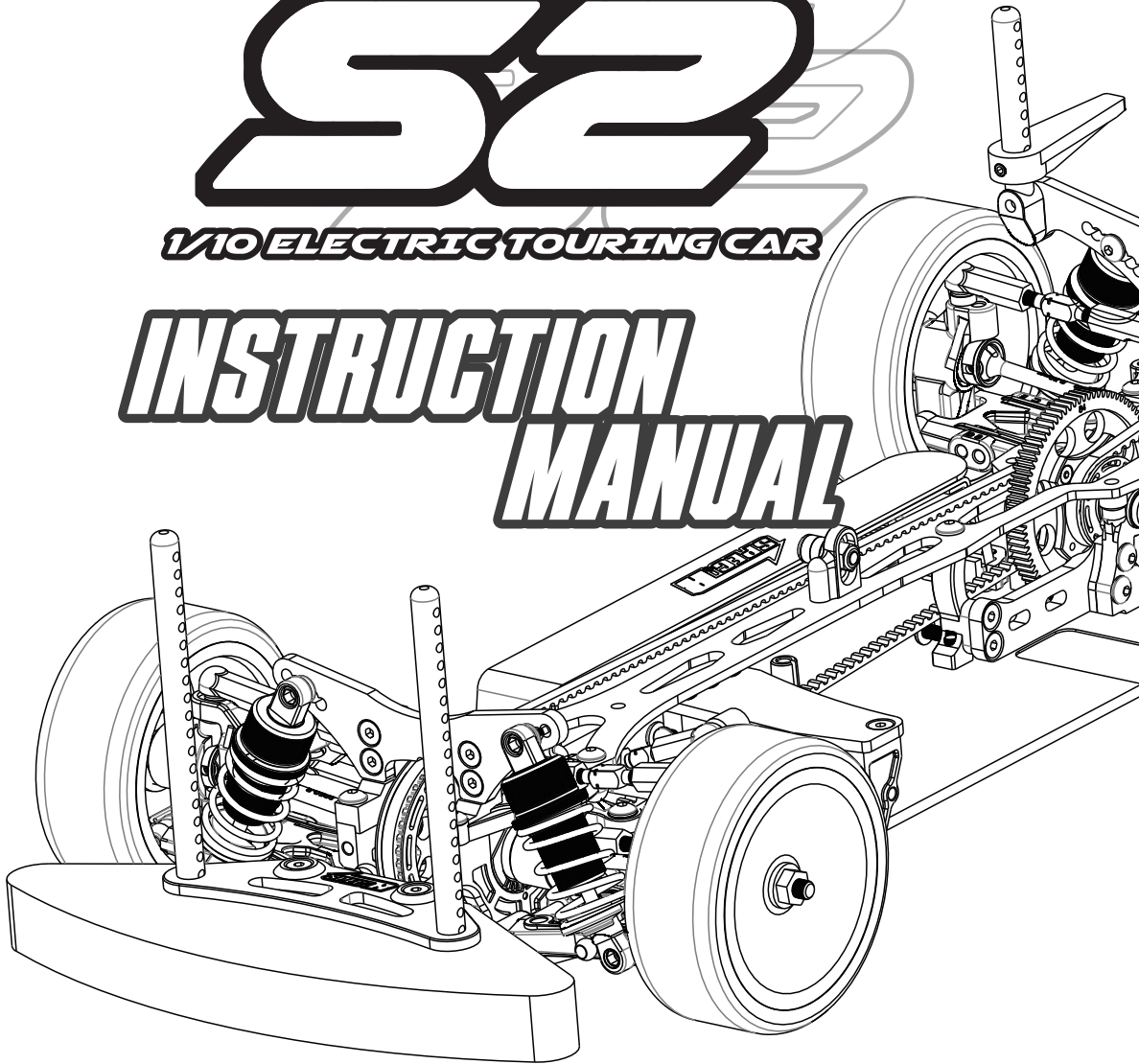




S2

1/10 ELECTRIC TOURING CAR

INSTRUCTION MANUAL



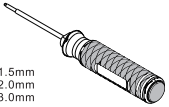
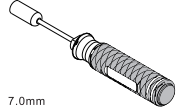
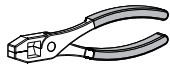
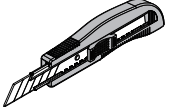



Contents

Content	Page	Content	Page	Content	Page
0.Tool and Accessories	1	15.Drive Shaft Assembly (50 ,52mm)	9	29.Rear Body Mount Installation	16
1.Filing the Edges of the Chassis	2	16.Front Hub Carrier Assembly	10	30.Radio Connections	16
2.Bulkhead Installation	2	17.Front Suspension Installation	10	31.Steering Servo Assembly	17
3.Spur Gear Assembly	3	18.Rear Carrier Assembly	11	32.Steering Servo Installation	18
4.Front Spool Assembly	3	19.Rear Suspension Installation	11	33.R/C Unit Installation	18
5.Gear Differential Assembly	4	20.Upper Arm and Steering Rod Assembly	12	34.Motor Installation	19
6.Drive Train Installation	5	21.Upper Arm Installation	13	35.Battery Holder Installation	20
7.Front Shock Mount	5	22.Steering Rod Installation	13	36.Battery Installation	20
8.Rear Shock Mount	6	23.Shock Parts Assembly	14	37.Body Installation	21
9.Steering Crank Assembly	6	24.Shock Assembly	14	Gear Ratio	
10.Upper Deck Installation	7	25.Front Shock Installation	14	Setting Sheet	
11.Front Suspension Arm Assembly	7	26.Rear Shock Installation	15		
12.Front Suspension Installation	8	27.Front Body Mount Installation	15		
13.Rear Suspension Arm Assembly	8	28.Bumper Installation			
14.Rear Suspension Installation	9				


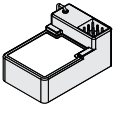
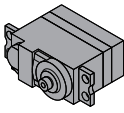
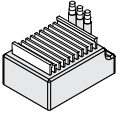
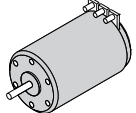
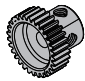
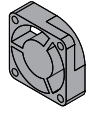

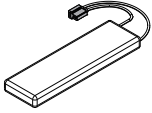
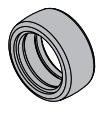
Symbols Used

<p>Part Bags Need</p> 	<p>Assemble Left and Right sides the same way</p> 	<p>Pay attention here</p> 	<p>Apply Thread Lock</p>  <p>(Not Included)</p>	<p>Apply CA glue</p>  <p>(Not Included)</p>
---	---	---	--	---

Tools Required

 <p>1.5mm 2.0mm 3.0mm</p> <p>Hex wrench (Not Included)</p>	 <p>7.0mm</p> <p>Hex wrench (Not Included)</p>	 <p>Pliers (Not Included)</p>	 <p>Modeling Knife (Not Included)</p>	 <p>Reamer (Not Included)</p>
			<p>Apply Silicone Oil</p>  <p>Silicone Oil (Not Included)</p>	<p>Apply grease</p>  <p>(Not Included)</p>

Equipment Required

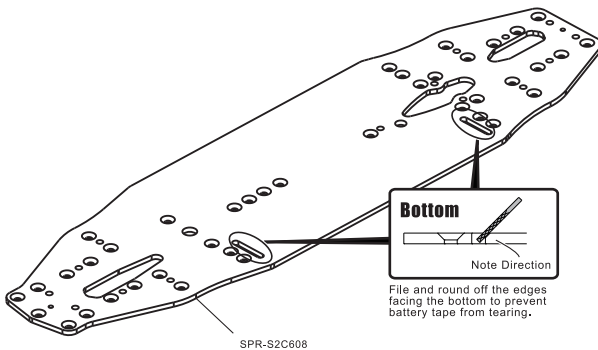
 <p>Transmitter (Not Included)</p>	 <p>Receiver (Not Included)</p>	 <p>Steering Servo (Not Included)</p>	 <p>Speed Controller (Not Included)</p>	 <p>Electric Motor (Not Included)</p>
 <p>Pinion Gear (Not Included)</p>	 <p>30mm Fan (Not Included)</p>	 <p>Body Shell (Not Included)</p>	 <p>Battery (Not Included)</p>	 <p>Tires & Inserts (Not Included)</p>

A

Bag

1

Filing the Edges of the Chassis



C

Bag

J

Bag

M

Bag

2

Bulkhead Installation

  x15

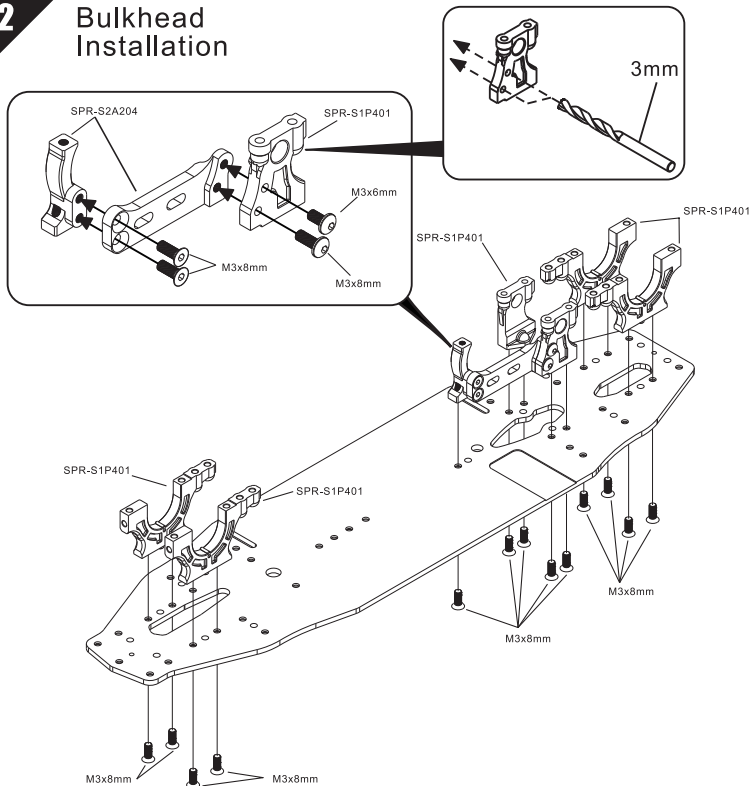
FlatHeadScrewM3x8mm

  x1

ButtonHeadScrewM3x8mm

  x1

ButtonHeadScrewM3x6mm



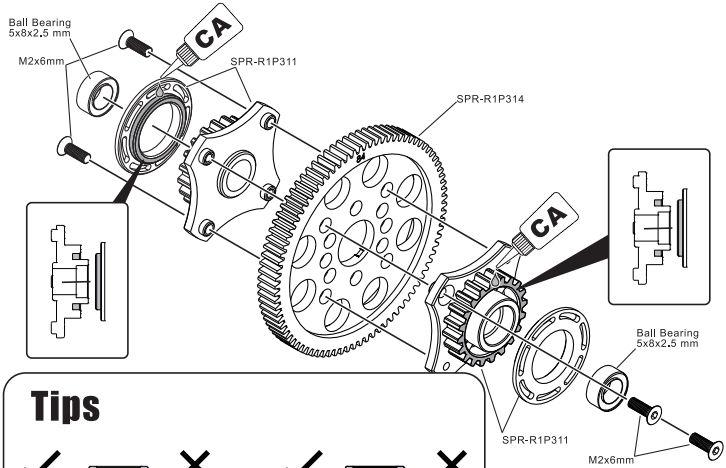
C + **H**
Bag Bag

M
Bag

x4
FlatHeadScrewM2x6mm

x2
BallBearing5x8x2.5mm

3 Spur Gear Assembly



Tips



Screws should be tightened properly as shown.

C + **D**
Bag Bag

H + **M**
Bag Bag

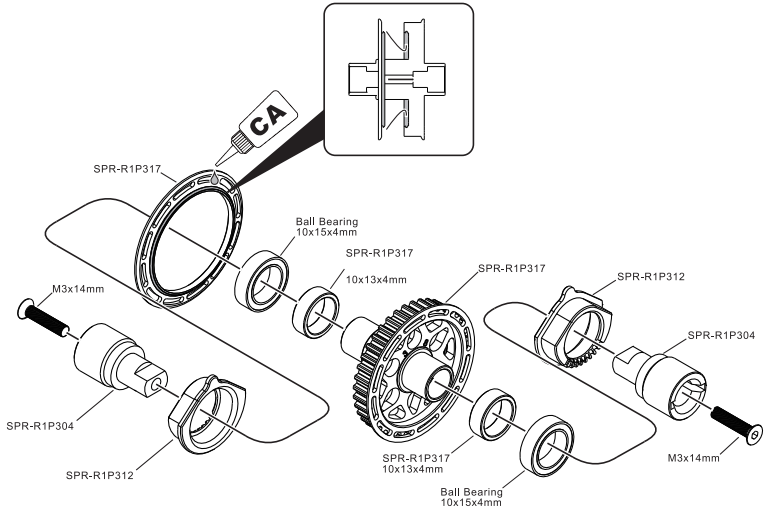
x2
FrontSpoolOutdriveAdapters

x2
FlatHeadScrewM3x14mm

x2
BallBearing10x15x4mm

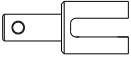
x2
PlasticCollar10x13x4mm

4 Front Spool Assembly




D + **G**
Bag Bag

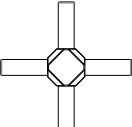
H
Bag


 x2
GearDiff.Joint


 x4
FlatHeadScrewM2.6x11mm


 x2
BevelGear

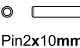
 x4
SatelliteGear


 x1
GearAxial

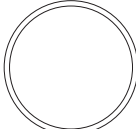
 x2
BallBearing10x15x4mm

 x2
O-Ring

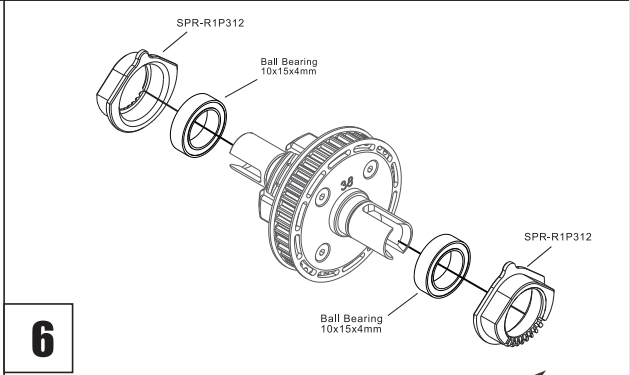
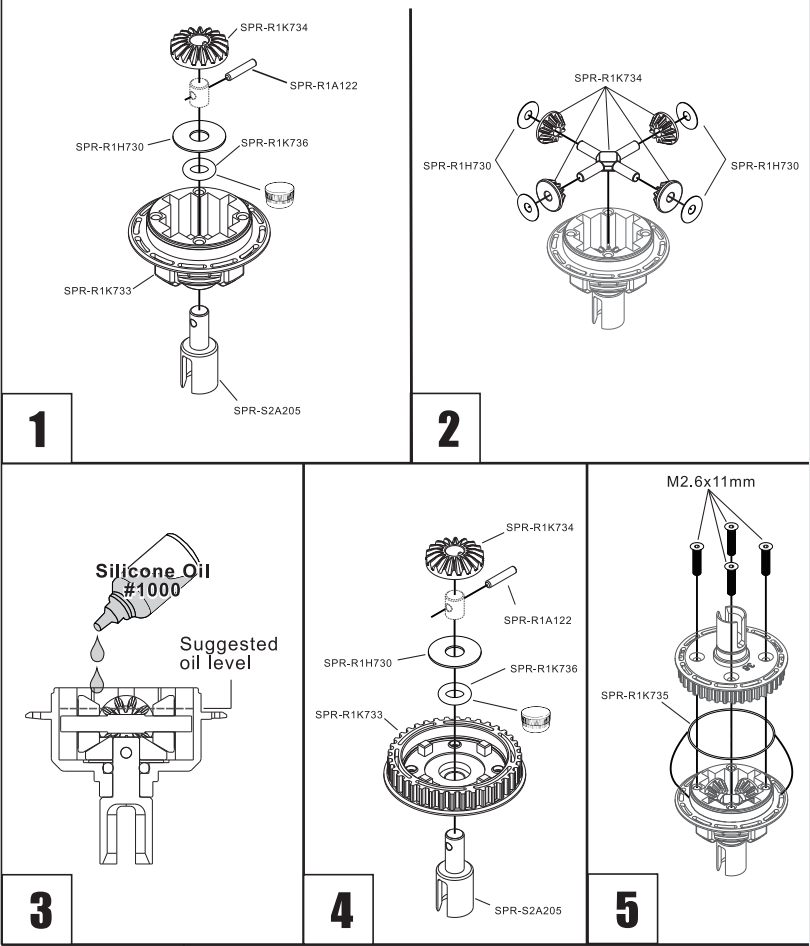
 x4
Shim3x11x0.2mm

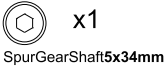
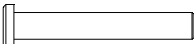
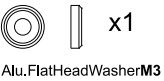
 x2
Pin2x10mm

 x2
Shim5x14x0.5mm

 x1
O-ring23x0.6mm

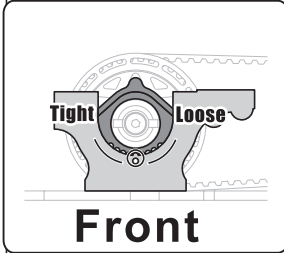
5 Gear Differential Assembly



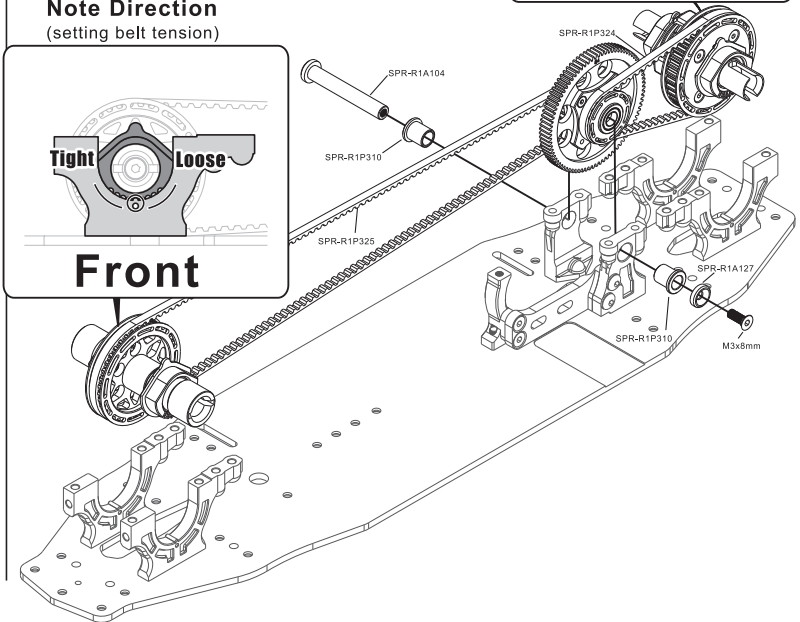
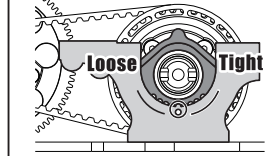


6 Drive Train Installation

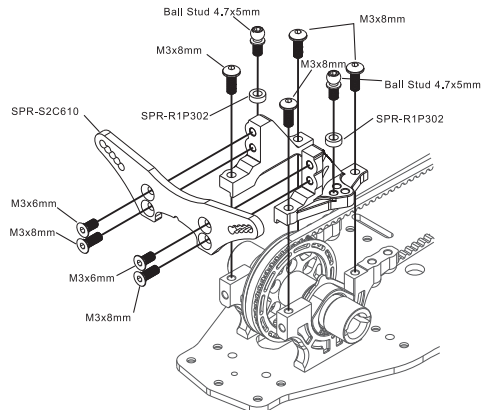
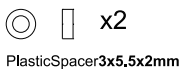
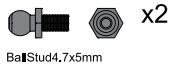
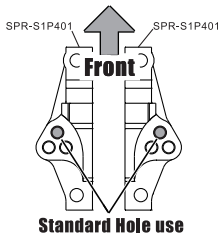
Note Direction
(setting belt tension)











Note Direction
(setting belt tension)



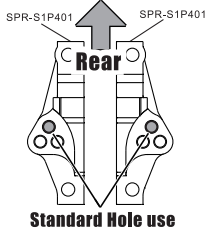
7 Front Shock Mount Assembly and Installation





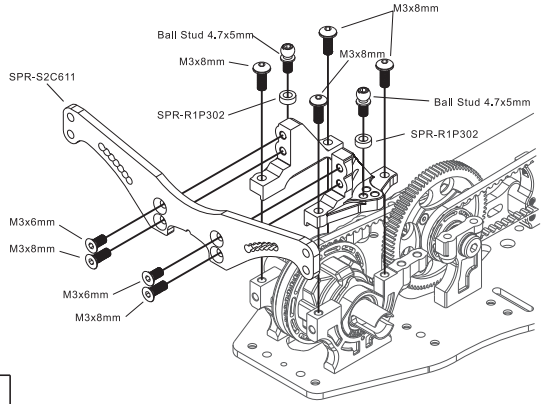










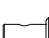





-   x4
ButtonHeadScrewM3x8mm
-   x2
FlatHeadScrewM3x8mm
-   x2
FlatHeadScrewM3x6mm
-   x2
BallStud4.7x5mm

8 Rear Shock Mount Assembly and Installation

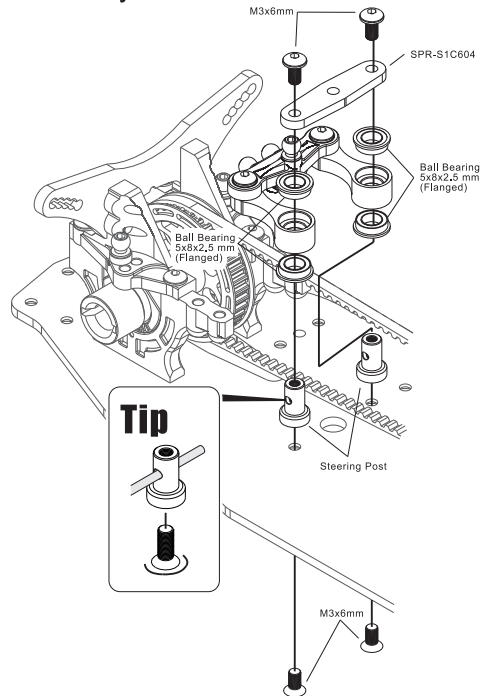
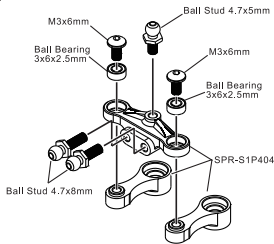


-   x2
PlasticSpacer3x5.5x2mm



-   x4
ButtonHeadScrewM3x6mm
-   x2
FlatHeadScrewM3x6mm
-   x2
BallBearing3x6x2.5mm
-   x4
BallBearing5x8x2.5mm (Flanged)
-   x2
SteeringPost
-   x1
BallStud4.7x5mm
-   x2
BallStud4.7x8mm

9 Steering Crank Assembly



A + **C**
Bag Bag

H + **M**
Bag Bag

  x9


ButtonHeadScrewM3x6mm

  x1

ButtonHeadScrewM3x12mm

  x2

BallBearing3x6x2.5mm

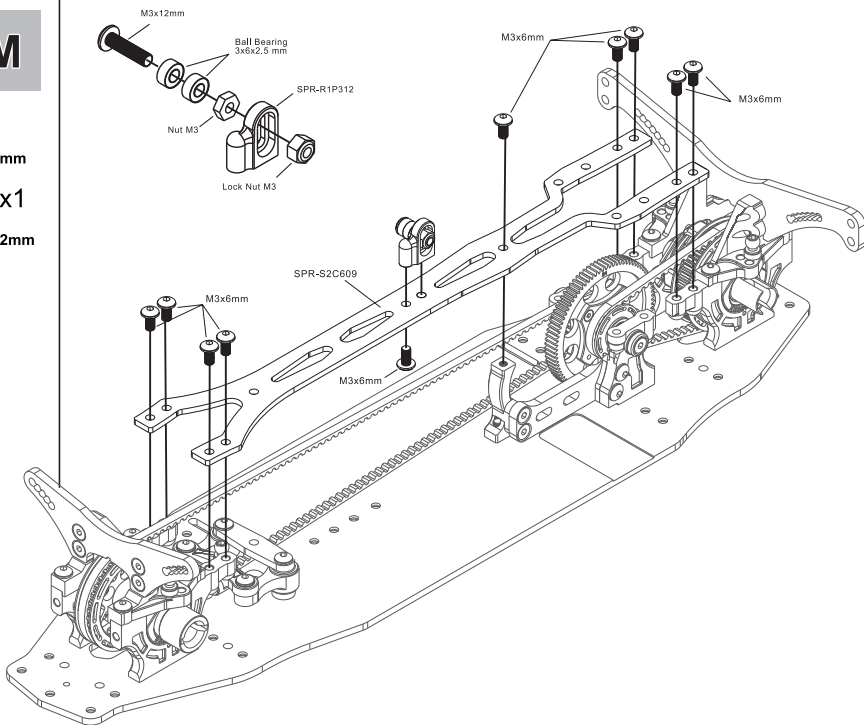
  x1

LockNutM3

  x1

NutM3

10 Upper Deck Installation



C + **K**
Bag Bag

M
Bag

  x2

SetScrewM4x8mm

 x4

PlasticPivotBall3x5mm

  x2

PlasticSpacer3x5x1mm

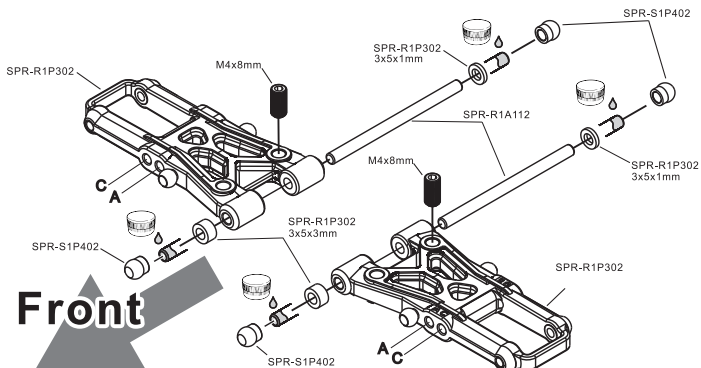
  x2

PlasticSpacer3x5x3mm

x2

PivotPin3x46mm

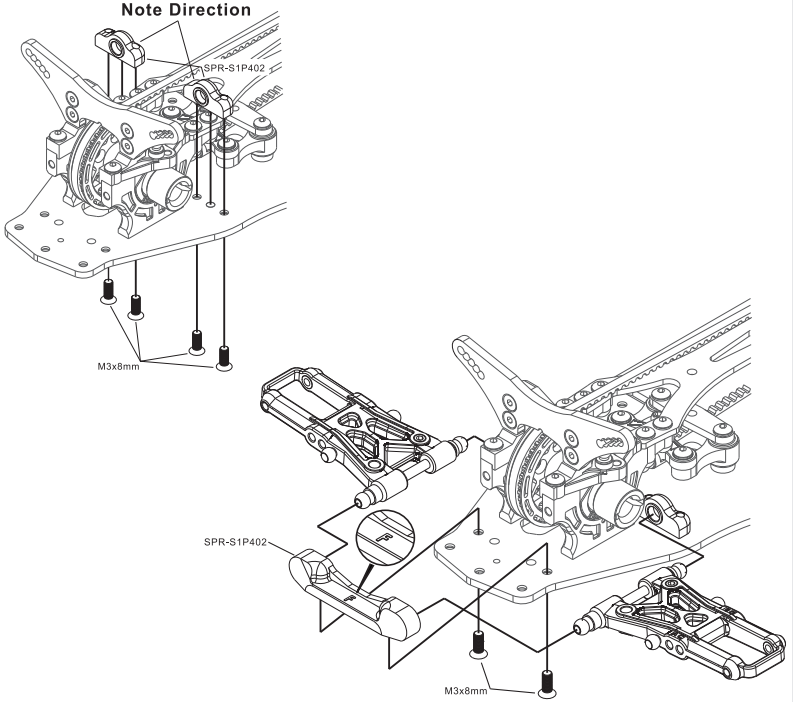
11 Front Suspension Arm Assembly



C + **M**
Bag Bag

x6
FlatHeadScrewM3x8mm

12 Front Suspension Installation



C + **K**
Bag Bag

M
Bag

x2
SetScrewM4x8mm

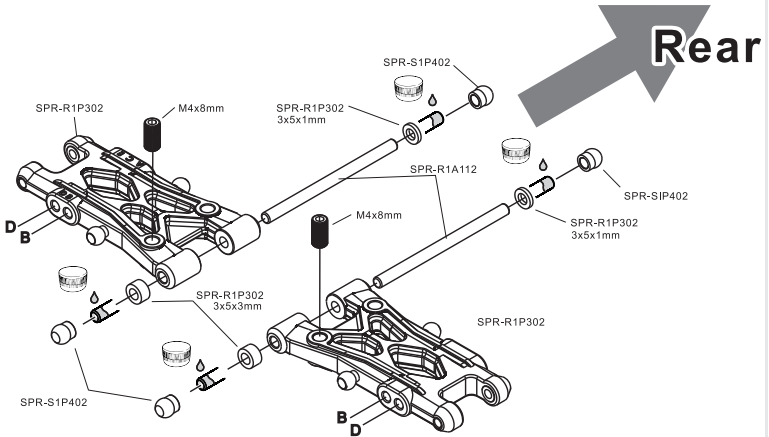
x4
PlasticPivotBall3x5mm

x2
PlasticSpacer3x5x1mm

x2
PlasticSpacer3x5x3mm

x2
PivotPin3x46mm

13 Rear Suspension Arm Assembly

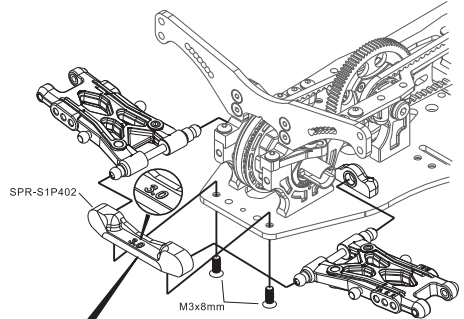
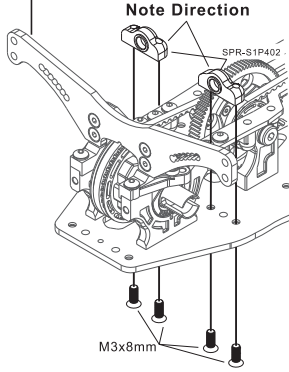


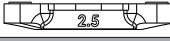
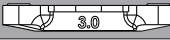
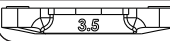
C + **M**
 Bag Bag

14

Rear Suspension Installation

  x6
 FlatHeadScrewM3x8mm



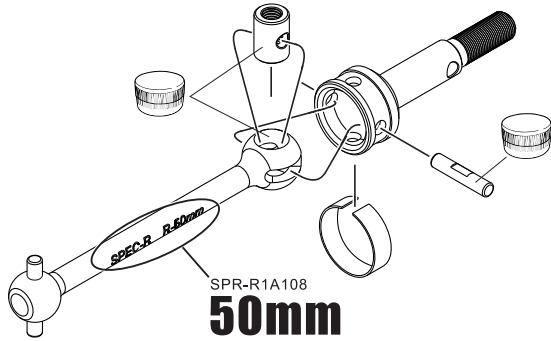
Suspension Mount Adapter (SPR-S1P402)	Toe Angle
	In 2.5°
	In 3.0° <small>(Standard)</small>
	In 3.5°

L
 Bag

15

Drive Shaft Assembly (50)



4x Make 4






C + **H**
Bag Bag

K + **M**
Bag Bag

  x2
ButtonHeadScrewM3x8mm

  x2
BallBearing5x10x4mm

  x2
BallStud4.7x9mm(2mmSocket)

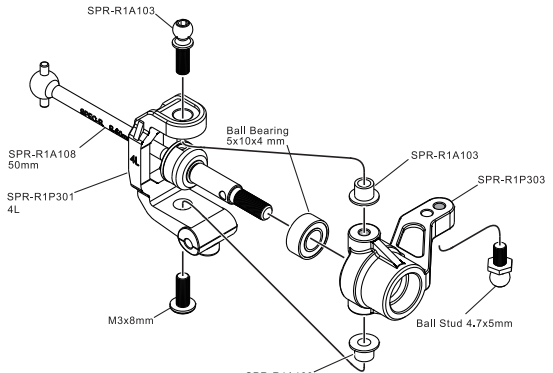
  x2
BallStud4.7x5mm

  x4
SteeringBlockBushing

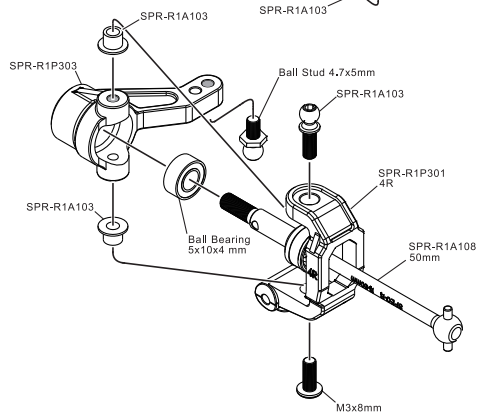
16

Front Hub Carrier Assembly

L Left Links




R Right Links



K + **M**
Bag Bag

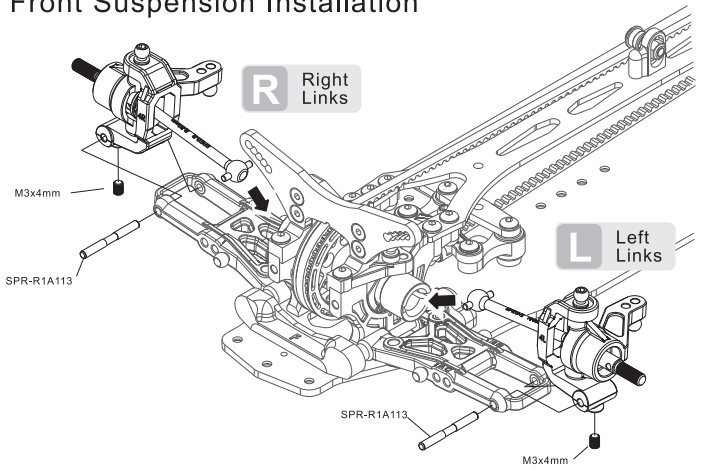
  x2
SetScrewM3x4mm

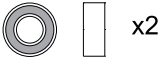
 x2
OuterPivotPin2.5x24mm

17

Front Suspension Installation

R Right Links





Ball Bearing 5x10x4mm



Ball Stud 4.7x8mm

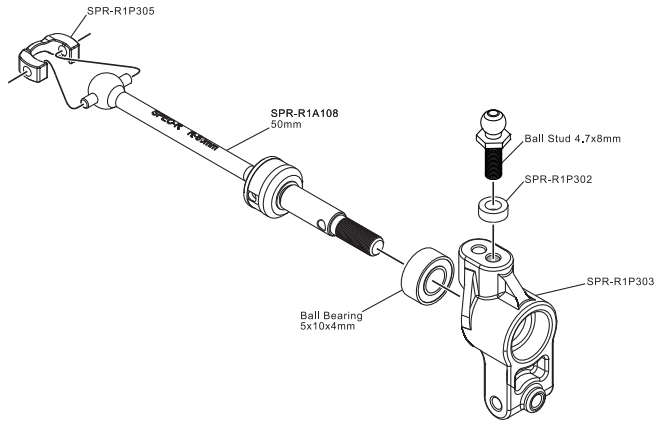


Plastic Spacer 3x5.5x2mm

18

Rear Carrier Assembly

2x Make 2



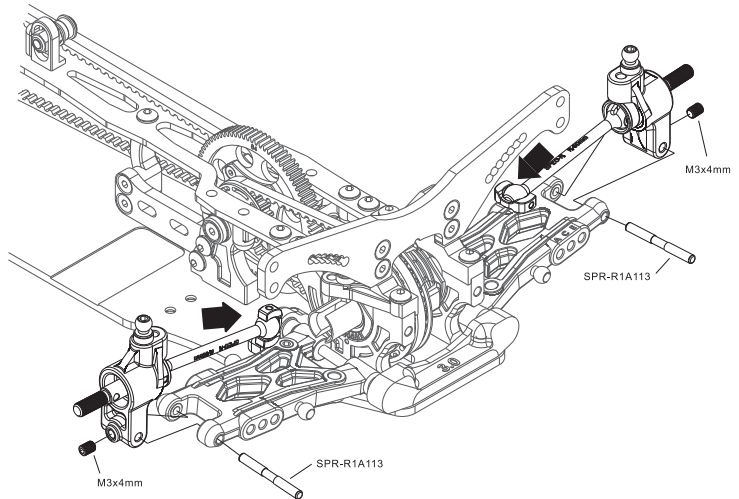
Set Screw M3x4mm



Outer Pivot Pin 2.5x24mm

19

Rear Suspension Installation



E + **K**
 Bag Bag

20 Upper Arm and Steering Rod Assembly



EndCap 4.7x20mm



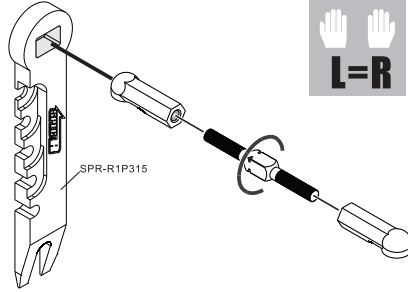
Turnbuckle M3x40mm



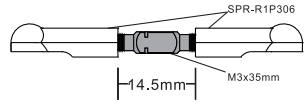
Turnbuckle M3x35mm



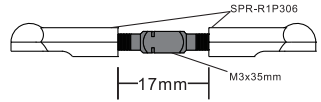
Turnbuckle M3x20mm



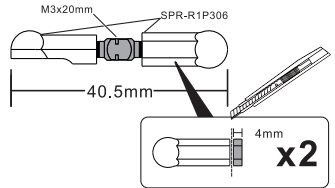
A Front Rod x2



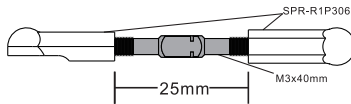
B Rear Rod x2



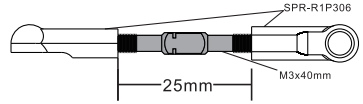
C Steering Rod-1 x1



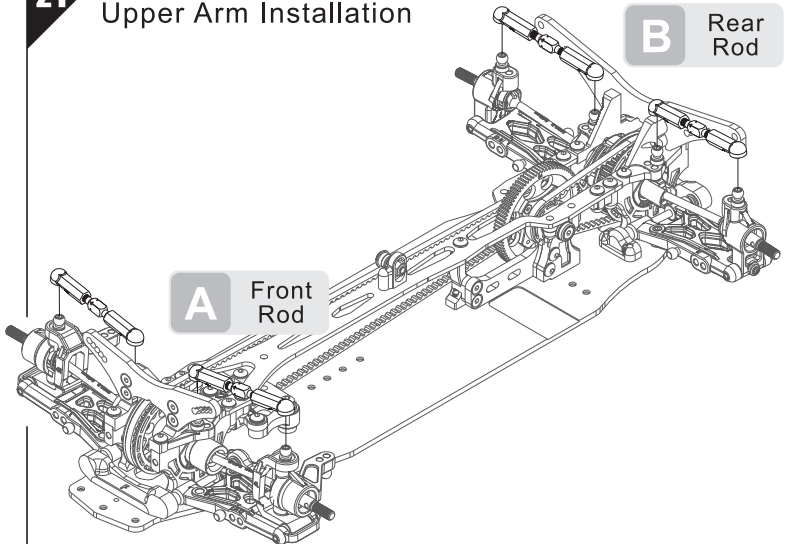
E Steering Rod-L x1



D Steering Rod-R x1



21 Upper Arm Installation

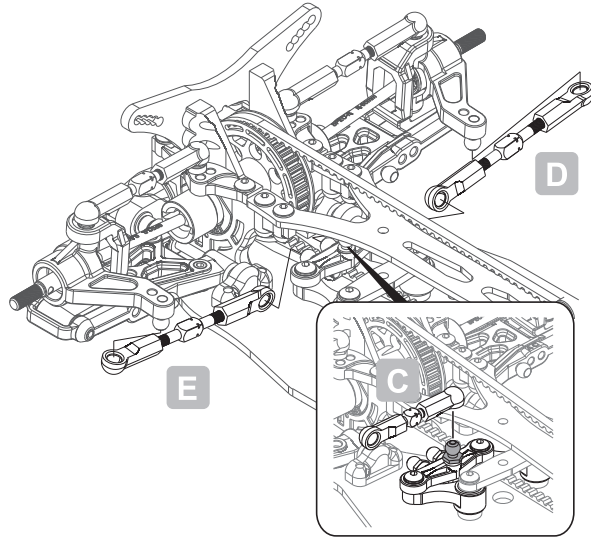


A Front Rod

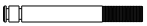
B Rear Rod

22

Steering Rod Installation



Bag



ShockShaft26mm

x4



x8

EClip2mm



x4

ShaftGuide



x4

O-ringGuide



x4

ShockPiston(Standard)



x4

Bladder12x3.5mm



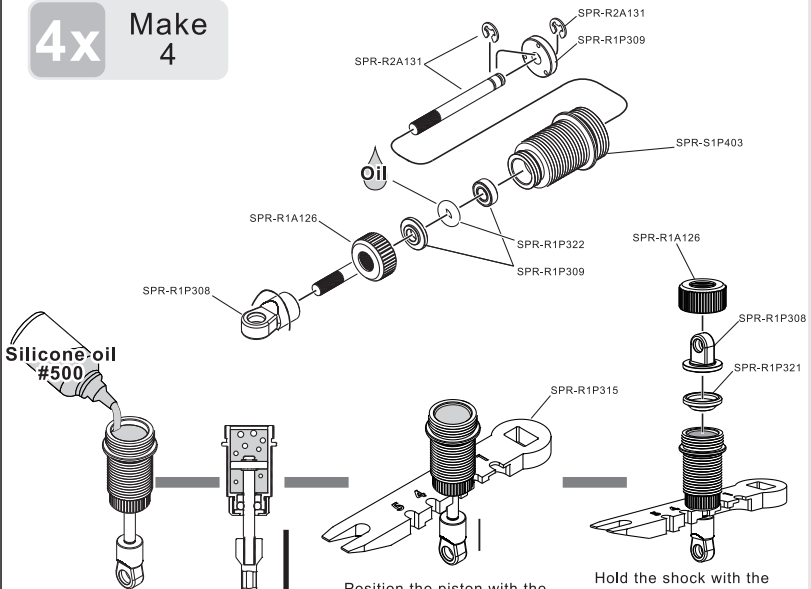
x4

O-ring

23

Shock Parts Assembly

4x Make 4



Position the piston with the shock tool for setting the desired rebound.

Hold the shock with the shock tool as shown; carefully tighten the shock cap.



Bag



O-ring



x4

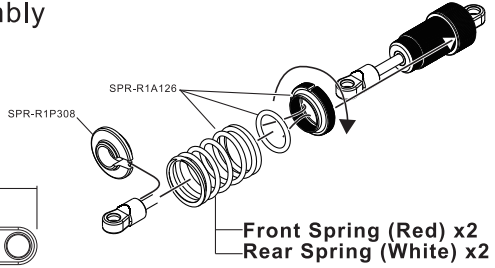
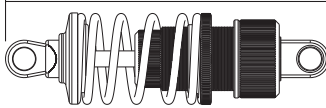
24

Shock Assembly

4x

Make
4

60.50mm



Front Spring (Red) x2
Rear Spring (White) x2



Bag

+



Bag



x2

ButtonHeadScrewM3x6



x2

SetScrewM3x8mm



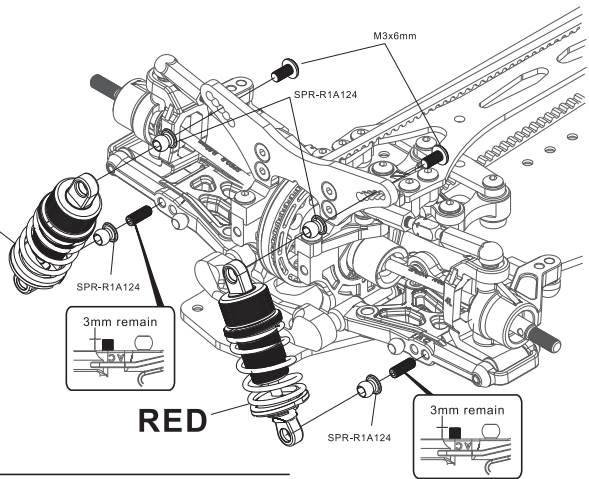
x4

BallUniversal4.7mm

25

Front Shock Installation

RED



RED

SPR-R1A124



Bag

+



Bag



x2

ButtonHeadScrewM3x6



x2

SetScrewM3x8mm

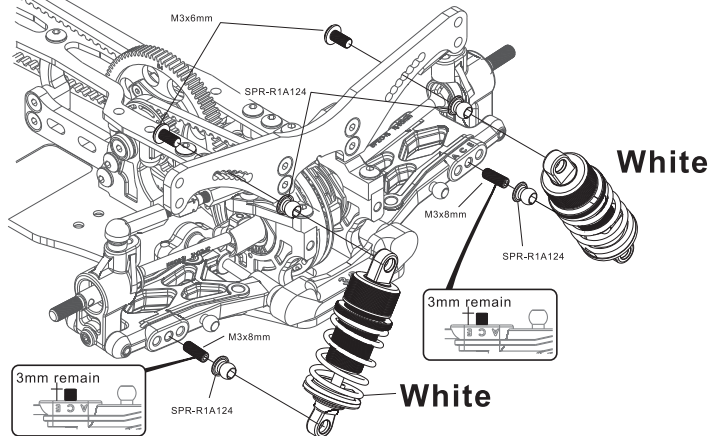


x4

BallUniversal4.7mm

26

Rear Shock Installation



White

White

C + **M**
Bag Bag

  x5

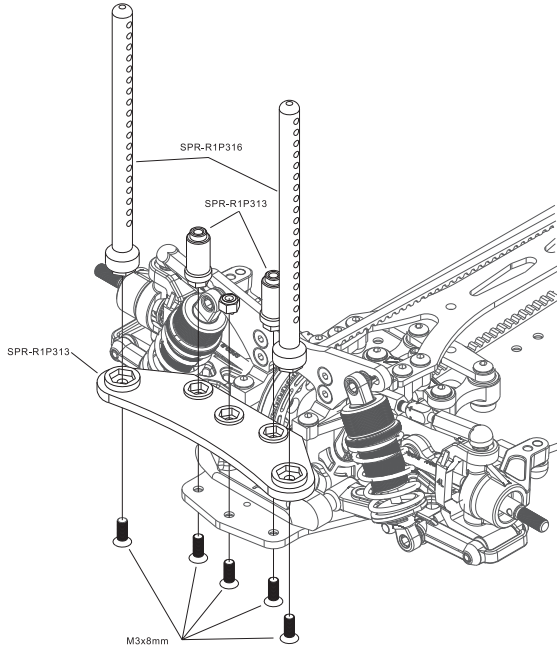
FlatHeadScrewM3x8mm

  x1

LockNutM3

27

Front Body Mount Installation



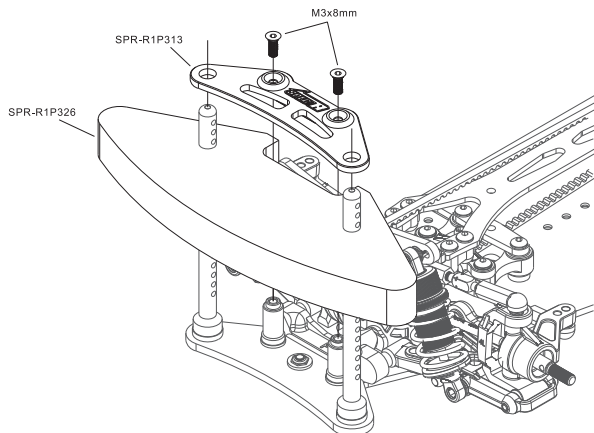
C + **M**
Bag Bag

  x2

FlatHeadScrewM3x8mm

28

Bumper Installation



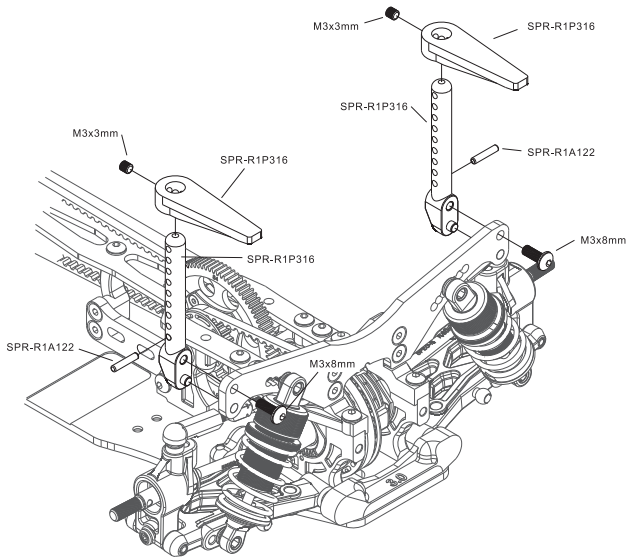
C + **K**
Bag Bag

M
Bag
ButtonHeadScrewM3x8mm

x2
SetScrewM3x3mm

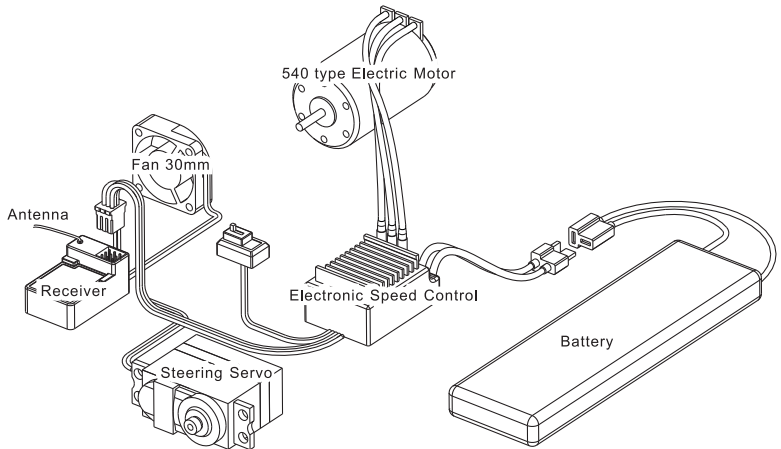
x2
Pin2x10mm

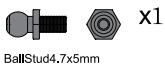
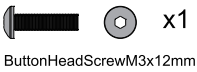
29 Rear Body Mount Installation



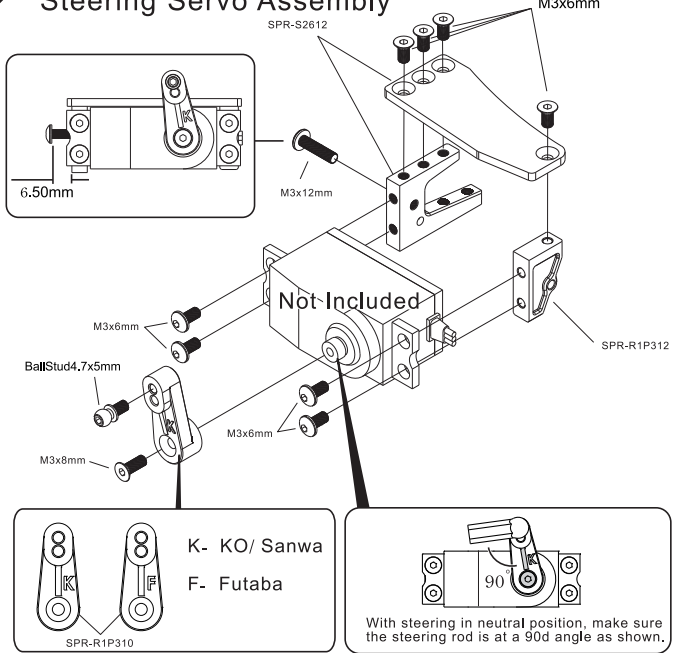
30 Radio Connections

! All electronics shown are not included

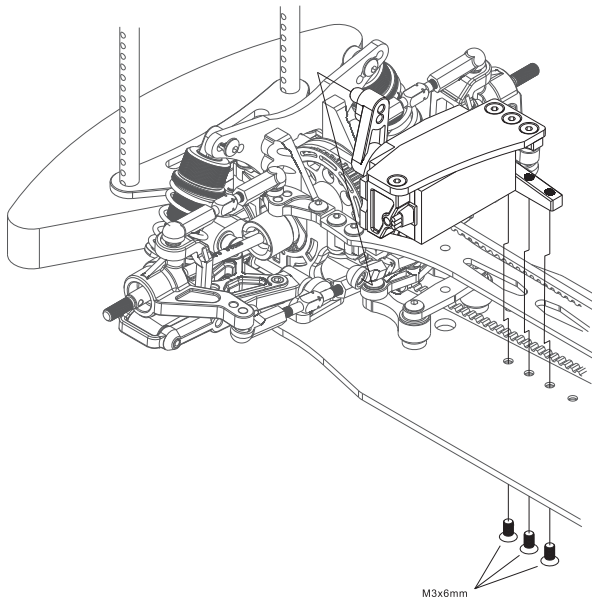




31 Steering Servo Assembly





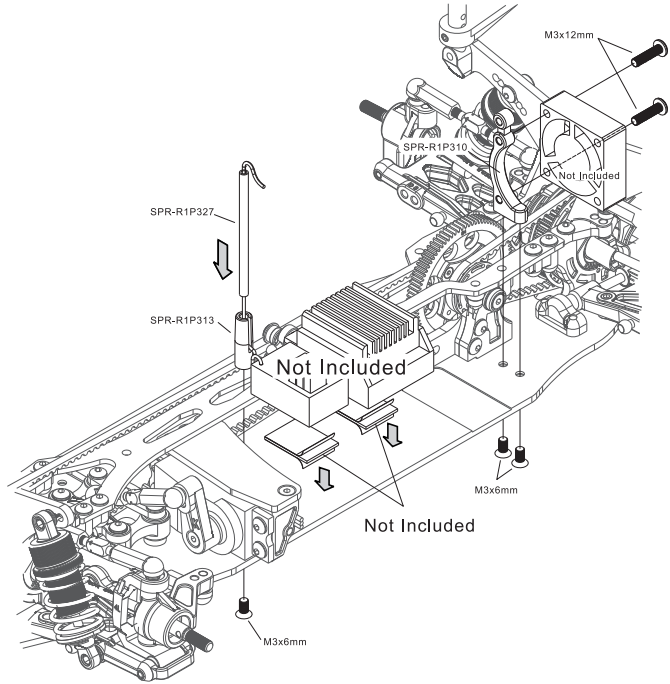
32 Steering Servo Installation



C + **M**
Bag Bag



33 R/C Unit Installation

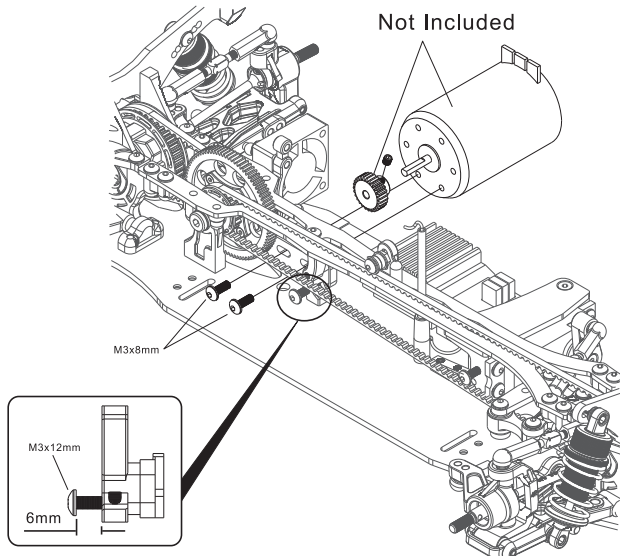
-  x2
ButtonHeadScrewM3x12mm
-  x3
FlatHeadScrewM3x6mm



M
Bag

34 Motor Installation

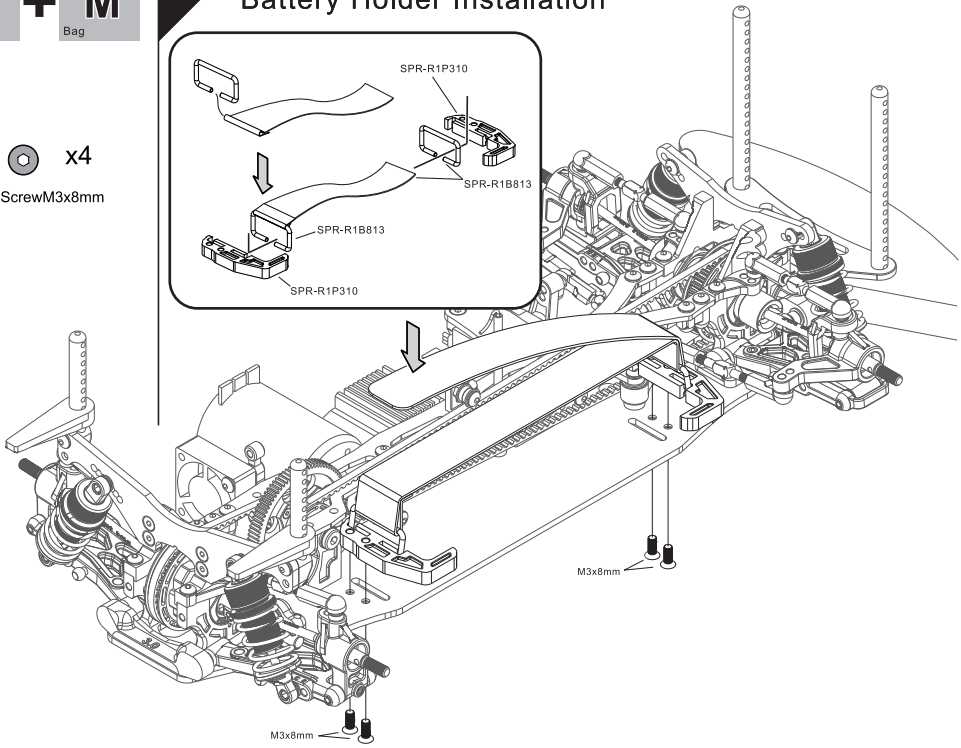
-  x1
ButtonHeadScrewM3x12mm
-  x2
ButtonHeadScrewM3x8mm



K + **M**
 Bag Bag

35 Battery Holder Installation



  x4
 FlatHeadScrewM3x8mm






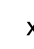
H + **K**
 Bag Bag

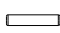

36 Battery Installation

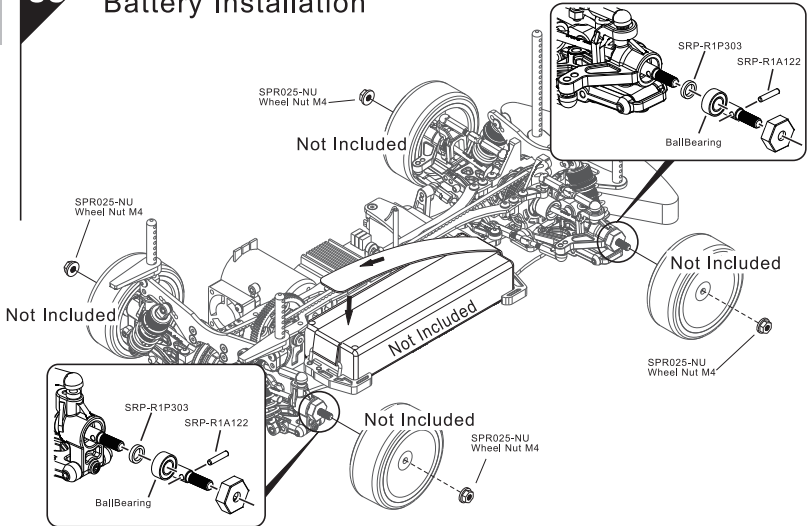
M
 Bag

  x4
 WheelNutM4

  x4
 BallBearing5x10x4mm

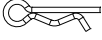
  x4
 PlasticSpacer5x7x1.5mm

  x2
 Pin2x10mm



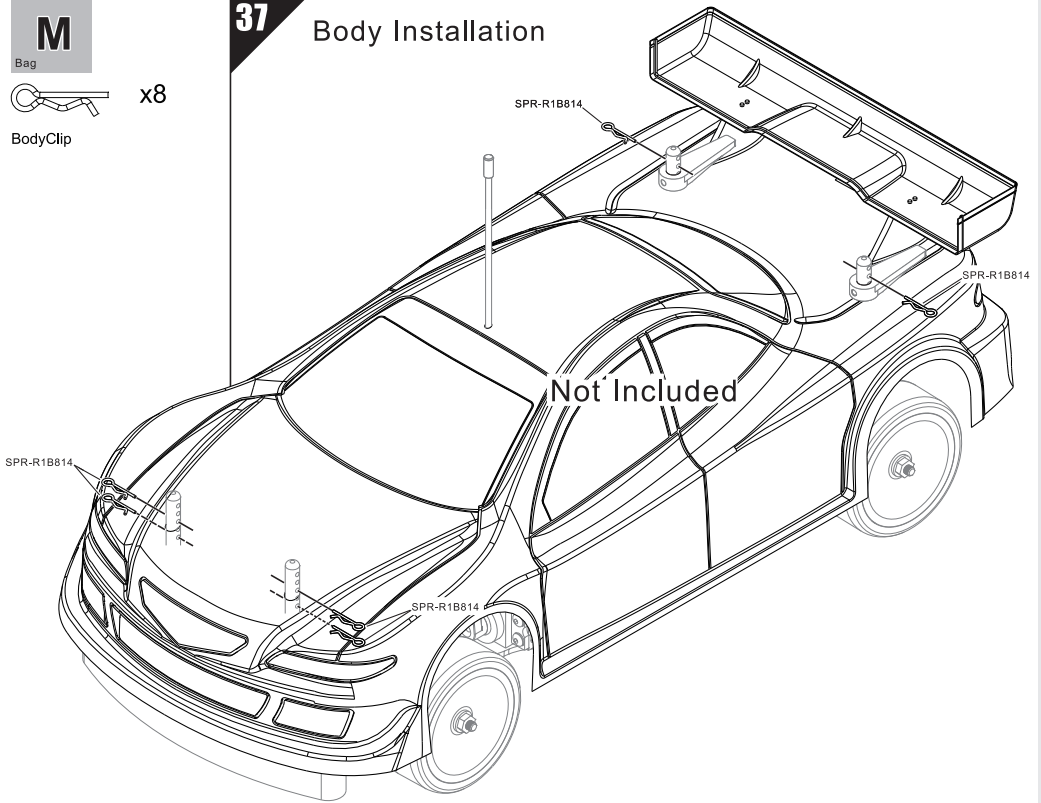
M

Bag



x8

BodyClip

37**Body Installation****Gear Ratio**

$$\text{Gear Ratio} = \frac{\text{Spur Gear}}{\text{Pinion Gear}} \times 1.9$$

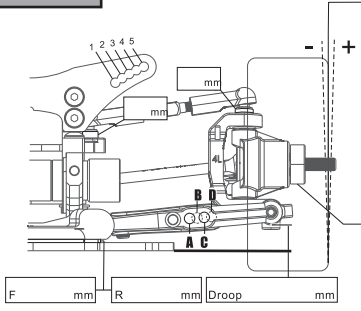
Gear Ratio	Spur Gear											
	79T	80T	81T	82T	83T	84T	85T	86T	87T	88T	89T	
Pinion Gear	13T	11.55	11.69	11.84	11.98	12.13	12.28	12.42	12.57	12.72	12.86	13.01
	14T	10.72	10.86	10.99	11.13	11.26	11.4	11.54	11.67	11.81	11.94	12.08
	15T	10.01	10.13	10.26	10.39	10.51	10.64	10.77	10.89	11.02	11.15	11.27
	16T	9.38	9.5	9.62	9.74	9.86	9.98	10.09	10.21	10.33	10.45	10.57
	17T	8.83	8.94	9.05	9.16	9.28	9.39	9.5	9.61	9.72	9.84	9.95
	18T	8.34	8.44	8.55	8.66	8.76	8.87	8.97	9.08	9.18	9.29	9.39
	19T	7.9	8	8.1	8.2	8.3	8.4	8.5	8.6	8.7	8.8	8.9
	20T	7.51	7.6	7.69	7.79	7.89	7.98	8.07	8.17	8.26	8.36	8.46
	21T	7.15	7.24	7.33	7.42	7.51	7.6	7.69	7.78	7.87	7.96	8.05
	22T	6.82	6.91	7	7.08	7.17	7.25	7.34	7.43	7.51	7.6	7.69
	23T	6.53	6.61	6.69	6.77	6.86	6.94	7.02	7.1	7.19	7.27	7.35
	24T	6.25	6.33	6.41	6.49	6.57	6.65	6.73	6.81	6.89	6.97	7.05
25T	6	6.08	6.16	6.23	6.31	6.38	6.46	6.54	6.61	6.69	6.76	
26T	5.77	5.85	5.92	5.99	6.07	6.14	6.21	6.28	6.36	6.43	6.5	
27T	5.56	5.63	5.7	5.77	5.84	5.91	5.98	6.05	6.12	6.19	6.26	
28T	5.36	5.43	5.5	5.56	5.63	5.7	5.77	5.84	5.9	5.97	6.04	

S2 Setup Sheet



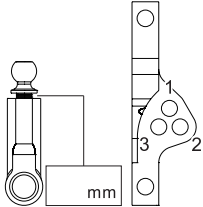
Name: _____ Date: _____ Event: _____
 Track: _____ Track Condition: _____ Lap Time: _____ Final Position: _____

Front



Camber Angle +/-	°
Caster Angle	°
Ride Height	mm
Sway Bar Ø	mm
Wheel Hubs	mm
Spacer	mm

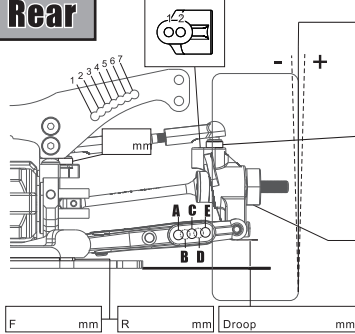
Front Diff	<input type="checkbox"/> Gear <input type="checkbox"/> Spool
Diff Oil #	



Shocks

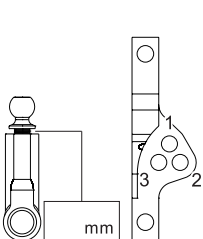
Shock Oil #	
Piston	
O-ring	
Rebound	
Spring	
Length	mm

Rear



Camber Angle +/-	°
Ride Height	mm
Shim	mm
Sway Bar Ø	mm
Wheel Hubs	mm
Spacer	mm

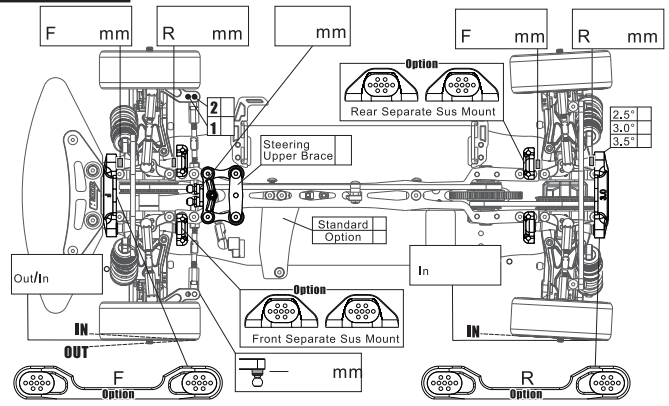
Rear Diff Oil #	
-----------------	--



Shocks

Shock Oil #	
Piston	
O-ring	
Rebound	
Spring	
Length	mm

Chassis



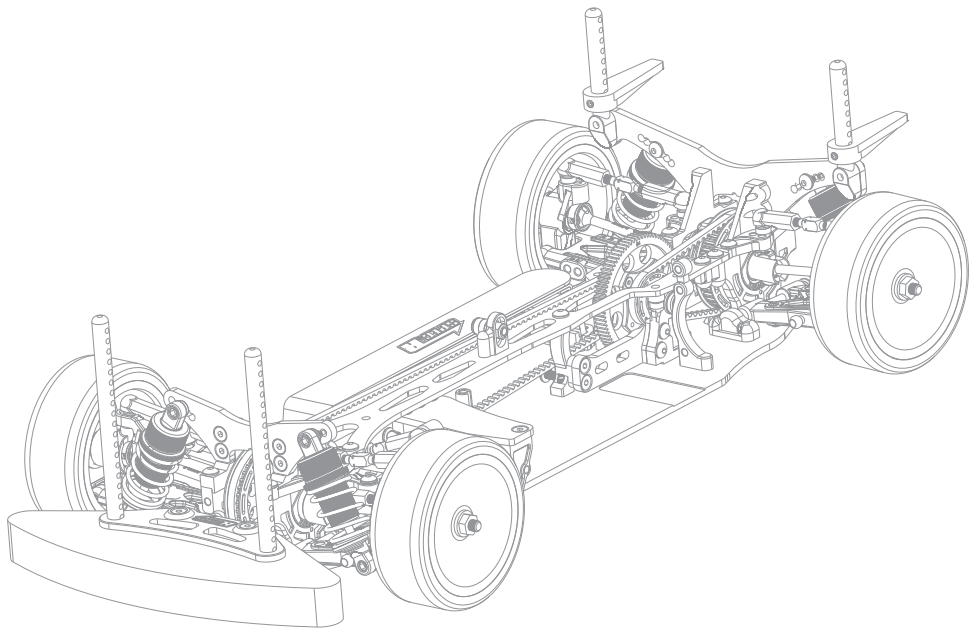
Tires

Brand:	
Compound:	
Insert:	
Wheel:	

Others

Motor:	
Spur Gear:	
Pinion Gear:	
Battery:	
ESC:	
Body:	
Wing:	

Note: _____



<http://www.spec-r.com>