

RC10TCM FACTORY TEAM

#30122 RC10TC7.2 Factory Team Kit



1:10 Scale Electric 4WD Touring Car Kit Manual & Catalog



CHAMPIONS *by* DESIGN

TeamAssociated.com

TEAM ASSOCIATED

:: Introduction

Thank you for purchasing this Team Associated product. This assembly manual contains instructions and tips for building and maintaining your new RC10TC7.2. Please take a moment to read through this manual to help familiarize yourself with these steps. We are continually changing and improving our designs; therefore, actual parts may appear slightly different than in the illustrations. New parts will be noted on supplementary sheets located in the appropriate parts bags. Check each bag for these sheets before you start to build.

:: KIT Features

With the current touring car platforms reaching an even higher plateau of precision and performance, the Engineers behind the doors of Area-51 wasted no time in ensuring the TC7.2 is up to the level. The RC10TC7.2-FT comes packed full of a host of new components and features necessary to keep you on top.

As the on-road market advances at an ever increasing rate, more is demanded from the chassis' to accommodate the ultra-competitive racing classes. A successor to the TC7.1, the TC7.2 maintains the proven suspension geometry, but adds the refinement to chassis balance and flex necessary for today's racing class. The centrally mounted IFM motor mount adds several mounting configurations to help fine tune chassis flex to the racing surface, and also has an integral mounting position for an optional chassis pitch control system (PCS). The TC7.2 also carries an all new aluminum rear gear differential for the ultimate in precision and heat dissipation, as well as an ultra-light front spool assembly. Along with a list of new features, the RC10TC7.2 FT gives you everything you need to keep you racing at the highest level. All without sacrificing low part count or affordability. A well-refined racing chassis with success in its heritage, the RC10TC7.2 FT is another "Champion by Design" from Team Associated!

:: Key Features

- All new ultra-precise rear gear diff for maximum performance
 - o Aluminum diff case for precision gear alignment and increased heat dissipation
 - o Durable composite gear set for minimized mass
 - o Hard anodized aluminum outdrives for low wear and long life
 - o Outdrives supported by ball bearings eliminates binding under load
 - o Lightweight belt pulley with relief holes to help clear debris
- Ultra-light weight front spool with replaceable hardened steel outdrives
 - o Lightweight aluminum spool hub for efficient power delivery and low rotational mass
 - o Hardened steel outdrives for minimum wear and increased durability
 - o Lightweight belt pulley with relief holes to help clear debris
- One-piece IFM (Inline Flex Mount) motor mount system
 - o Central mounting to allow free chassis flex in either direction
 - o Several mounting positions to help further adjust chassis flex characteristics
 - o One-piece design ensures proper spur/pinion gear alignment
- Updated bearing caps with integral camber link mount for ultra-fine link length adjustments
 - o Camber link mount fastens to bearing cap allowing the use of shims to adjust camber link length for ultra-fine tuning of camber gain
 - o Symmetric parts on all four corners minimizes spare part count
 - o Optimized shock tower mounting positions for improved flex characteristics
 - o Vertical ballstud orientation allows for fine adjustments of roll center height
- Updated floating servo mount
 - o 7075-T6 aluminum for increased durability
 - o Servo mounts to chassis center to allow equal chassis flex in both directions and a tweak free assembly
 - o Servo mount pins to chassis to eliminate servo shifting under hard impact
 - o Slotted servo mount design allows fit for almost any servo size
- New battery mounting system for greater adjustability
 - o Battery position can be set front-back and in-out to help fine tune chassis mass balance
 - o Battery tabs for tape free battery installation
 - o Adjustable to fit dimensional differences between battery manufacturers
- Updated narrow chassis shape with optimized flex characteristics
 - o 2.25mm graphite laminate with updated profile and symmetric pockets for optimal chassis flex
- o A narrow 84mm wide to minimize chassis dragging at maximum chassis roll angles
- o Chassis incorporates mounting position for 1UP DTC (Dynamic Toe Control) rear end option
- o Chassis ballast mass mounting locations to fine tune mass balance
- PCS (Pitch Control System) option to further adjust chassis flex characteristics
 - o Motor mount and servo mount incorporate mounting positions for pitch control brace option
- Fox "short" shocks with genuine Kashima Coating
 - o "Short" shock lowers overall center of mass allowing for more stability in high grip conditions
 - o Ultra-smooth Kashima Hard Coating for minimal friction and extended wear
 - o Hard coated shock shafts with polished finish
 - o Machined piston and bushing sets for the most precise build
 - o Updated bladder profile for consistent performance
- DCV drive shaft assemblies included for front drive
 - o DCV (dual CV) drive shafts are double-cardon joints, allowing free rotation of drive shaft at extreme angles typical of the front drive due to addition of steering angle to suspension arm angle
 - o The use of DCV's results in smooth steering through larger corners by eliminating the "chatter" typical of standard CV axles
- Ultra-light weight carbon composite suspension components
 - o Carbon composite material used for the best combination of strength at minimized mass
 - o Optimized suspension arm length and shock mounting positions
 - o Pivot ball on inner hinge pin allows free pin movement at any toe or kickup angle
 - o Insert system for precise adjustment of toe and inner pin width
 - o Independent arm mount design to allow maximum flex through entire chassis length, resulting in better grip on all track conditions
- Aluminum rear CV bones
 - o 7075-T6 aluminum with hard coating for ultimate durability and decreased wear
 - o Low rotational mass
- 26 precision ball bearings

:: Items Needed / Other Helpful Items

Your new FT TC7.2 comes unassembled and requires the following items for completion. (refer to catalog section for suggestions):

- 1:10th scale electric motor and electronic speed control
- 3.7V-7.4V LiPo, 6.6V LiFe, or 4.8V-7.2V NiMH/NiCd battery
- Battery charger (suited for, and particular to, one of the batteries mentioned)
- 2 channel surface transmitter, 2 channel receiver, and steering servo
- Silicone Shock Fluid (Refer to catalog for complete listings)
- Silicone Diff Fluid (Refer to catalog for complete listings)
- Shock Shaft Pliers (AE Part #1675)
- FT Hex Wrenches (AE Part #1518)
- FT Hex/Nut Drivers Set (AE Part #1519)
- Calipers or a Precision Ruler
- 1:10th scale 190mm polycarbonate touring car body
- Polycarbonate specific paint for body
- Body Scissors (AE Part #1737)
- 1:10th scale rubber (or foam) touring car tires, wheels and inserts
- CA Glue (AE Part# 1597)
- Thread Lock (AE Part #1596)
- FT Dual Turnbuckle Wrench (AE#1114)
- Wire Cutters/ Hobby Knife / Reamer / Hole Punch
- Soldering Iron
- Needle Nose Pliers

Associated Electrics, Inc.
26021 Commercentre Dr.
Lake Forest, CA 92630







Customer Service
Tel: 949.544.7500
Fax: 949.544.7501

:: Hardware - 1:1 Scale View









Cap Head (shcs)

-  **1.6x5mm (91611)**
-  **2x5mm (31511)**



Set screw

-  **3x2.5mm (31500)**
-  **3x3mm (25225)**
-  **3x8mm (4670)**
-  **4x8mm (25227)**







Ballstuds

-  **Black 3.25mm short (31390)**
Ti Nitride 3.25mm short (31374)
-  **Black 3.25mm long (31391)**
Ti Nitride 3.25mm long (31374)
-  **Black 5mm short (31280)**
Ti Nitride 5mm short (31288)
-  **Silver 5mm long (31283)**
Ti Nitride 5mm long (31291)
-  **Black 8mm short (31281)**
Ti Nitride 8mm short (31289)
-  **Silver 8mm long (31284)**
Ti Nitride 8mm long (31292)
-  **Black 10mm short (31285)**
Ti Nitride 10mm short (31290)
-  **Silver 10mm long (31285)**
Ti Nitride 10mm long (31293)





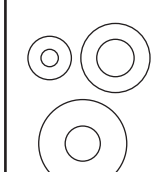
Nuts (lock/plain)

-  **M3 locknut (31550)**
-  **M4 locknut (91148)**














Flat Head (fhcs)

-  **2.5x4mm (31518)**
-  **2.5x6mm (4675)**
-  **2.5x10mm (31350)**
-  **3x5mm (31540)**
-  **3x6mm (31541)**
-  **3x8mm (25201)**
-  **3x10mm (25202)**






Shims and Washers

-  **Ballstud Washers**
(31382 1mm,
31383 2mm)
-  **Washer (7337)**
-  **Bulkhead Shim**
(31384 0.5mm,
31385 1mm,
31386 2mm)
-  **Axle & Diff shim (31782)**
-  **Gear Diff Shims (31788)**

Button Head (bhcs)

-  **2x4mm (31510)**
-  **2x5mm (31511)**
-  **2.5x4mm (4673)**
-  **2.5x5mm (31519)**
-  **2.5x6mm (31520)**
-  **2.5x8mm (31521)**
-  **3x5mm (31530)**
-  **3x6mm (31531)**
-  **3x8mm (31532)**
-  **3x10mm (25211)**
-  **3x12mm (89202)**
-  **3x14mm (25187)**
-  **3x16mm (89203)**

Ball Bearings

-  **4x7mm (31403)**
-  **4x8x3mm flanged (31331)**
-  **5x8mm (31400)**
-  **5x10x4mm (91560)**
-  **10x15x4mm (91563)**

Notes:

:: Table of Contents

1.....Cover	12-16.....Bulkheads, Spur Gear, and Steering Rack Build (Bag 6)
2.....Introduction	
3.....1:1 Hardware "Fold Out"	16-19.....Caster Blocks/Rear Hubs Build (Bag 7)
4.....Table of Contents	19-23.....Bumper, Anti Roll Bar, and Electronics Build (Bag 8)
5-6.....Shock Build (Bag 1)	23-24.....Battery Stop/Final Build (Bag 9)
6-7.....Spool and Differential Build (Bag 2)	24-27.....Tuning Tips / Gear Charts
8.....Front DCV/ Rear CVA Build (Bag 3)	28-35.....Catalog
9.....Turnbuckles Build (Bag 4)	36.....Setup Sheet "Kit Setup"
9-11.....Suspension Arms Build (Bag 5)	37.....Setup Sheet "Blank"
	38.....Back Cover

:: Notes



This symbol indicates a special note or instruction in the manual.



This symbol indicates a Racers Tip.



There is a 1:1 hardware foldout page in the front of the manual. To check the size of a part, line up your hardware with the correct drawing until you find the exact size. Each part in the foldout has a number assigned to it for ordering replacement parts.

**Associated Electrics, Inc.
26021 Commercentre Dr.
Lake Forest, CA 92630**



**Customer Service
Tel: 949.544.7500
Fax: 949.544.7501**

:: Shock Build - Bag 1 - Step 1

31510
M2x4mm
bhcs

#1596
thread lock

**Thread lock
not included!**

31747
TC7.1
shock
piston
(4x1.1)

89278
Steel washer
(2.6x6x0.5mm)

31746
TC7.1
shock shaft

**Build four
shock shafts**

31745
TC7.1 FT
shock body
(Fox
Kashima
Coat)

31753
TC7.1 shock
bottom cap
o-ring

Shock fluid
#5429
(35wt)

5407
Red
o-rings

31752
TC7.1
shock shaft
bushing

31753
TC7.1 shock
bottom cap

:: Shock Build - Bag 1 - Step 2

31757
TC7.1 shock
eyelet

4637
FT pivot
balls

Shock fluid
#5429
(35wt)

31757
TC7.1
shock cap

4637
FT pivot
balls

31752
TC7.1
bladder

**Build four
shocks**

:: Shock Build - Bag 1 - Step - 3

31756
TC7.1
shock cap
retainer

Bladder Installation

With the shaft extended 25%, place bladder on the top of the shock body, displacing the extra oil. While maintaining pressure on the bladder against the shock body, carefully lift one side of the bladder to allow any extra oil to escape. Place stock cap on top of bladder, and secure it by threading the aluminum cap retainer onto the shock body.

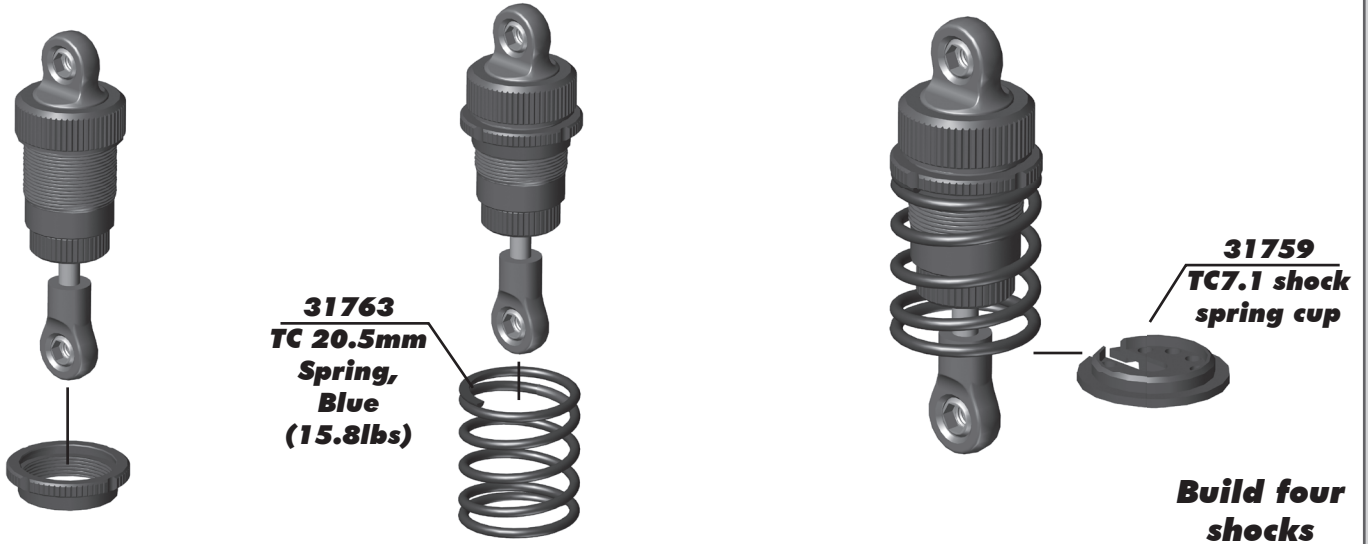
**Build four
shock collars**

31758
TC7.1 shock
collar o-ring

31758
TC7.1
shock collar

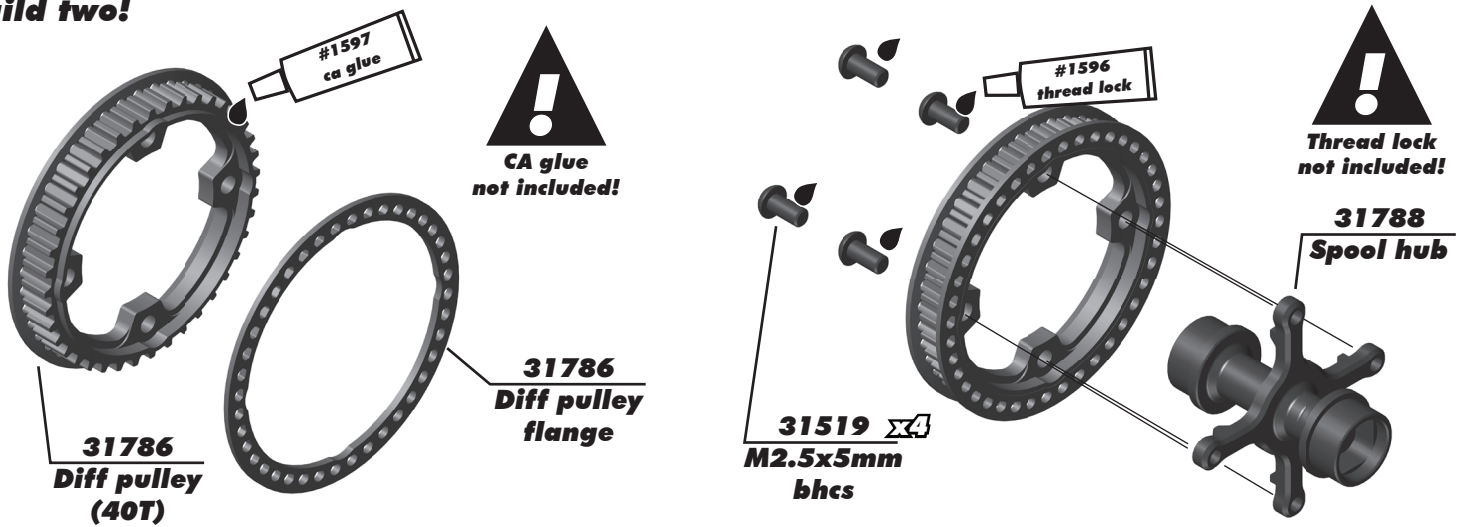
Shock Fluid
#5429
(35wt)

:: Shock Build - Bag 1 - Step 4

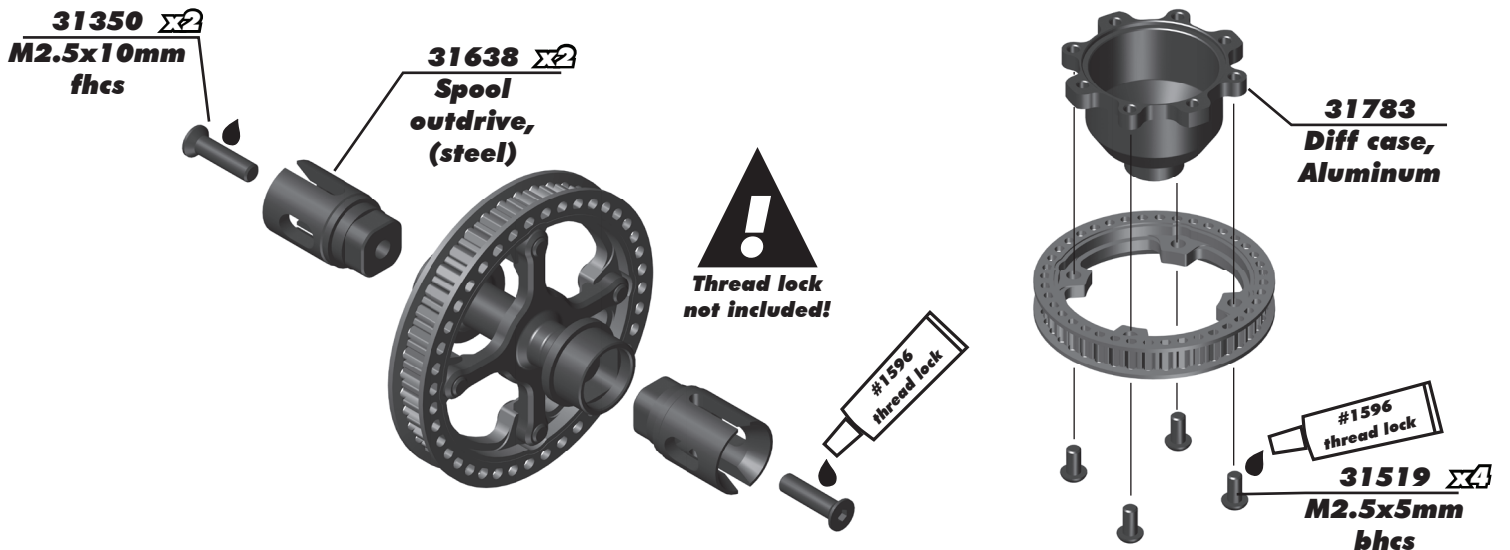


:: Spool and Differential Build - Bag 2 - Step 1

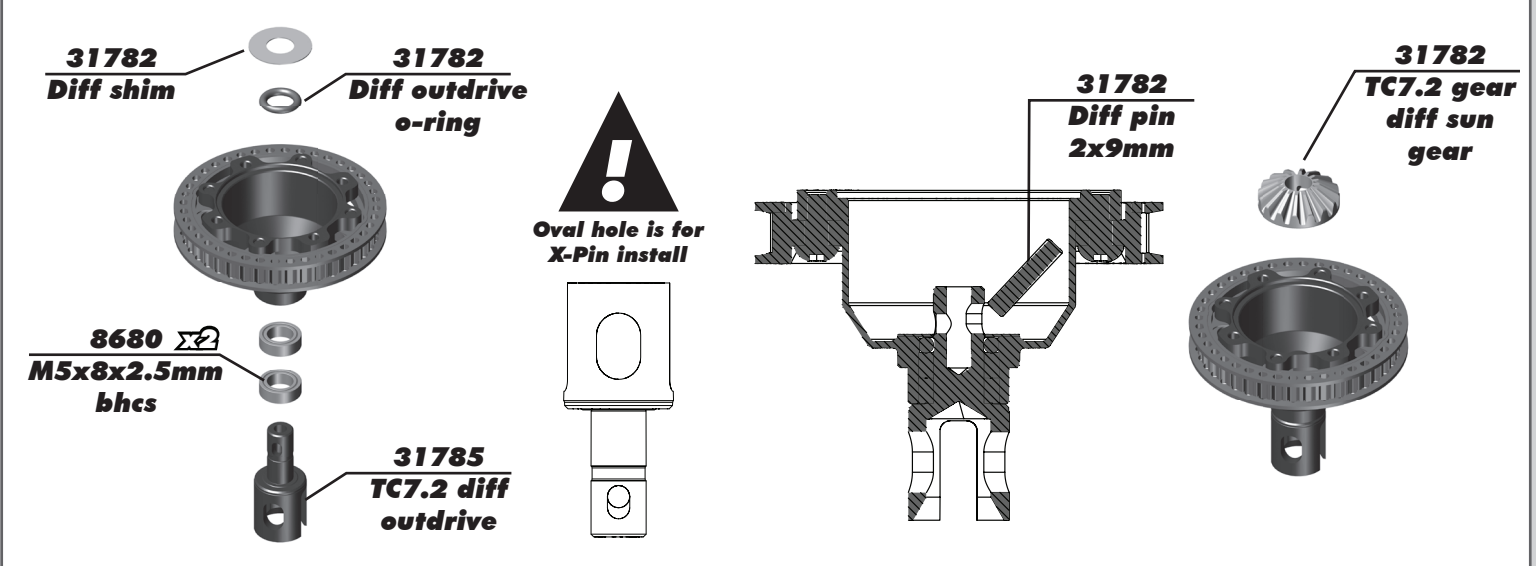
Build two!



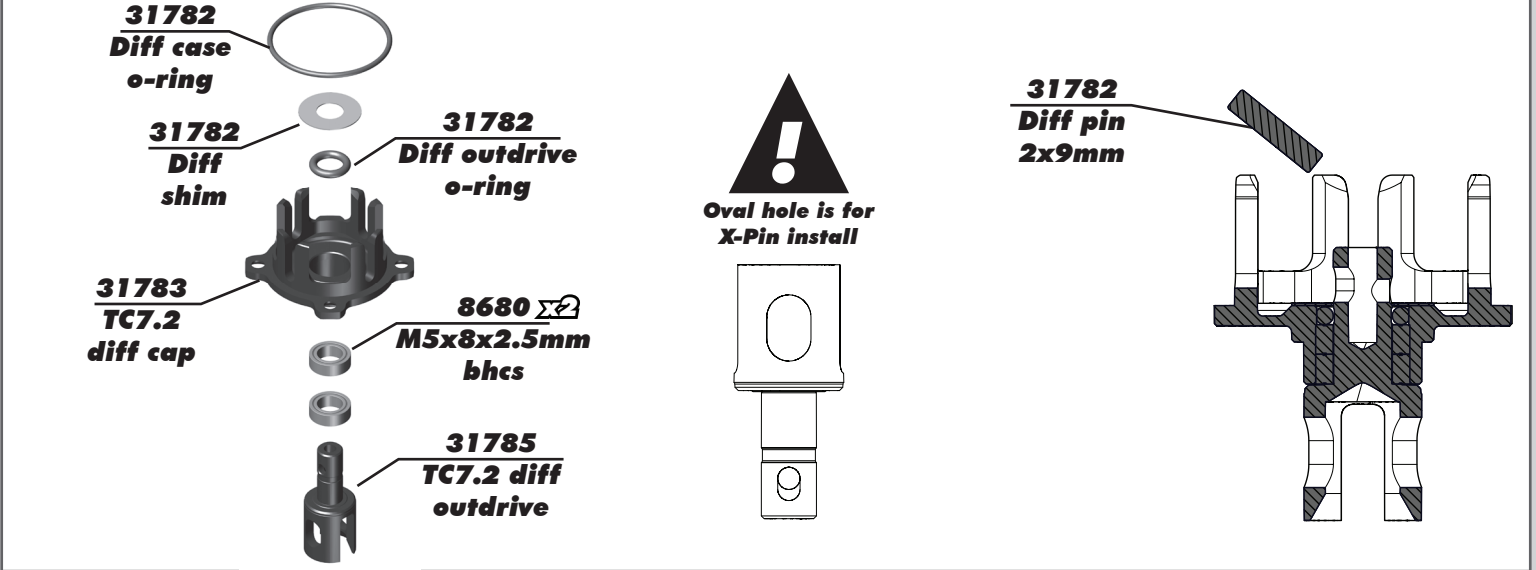
:: Spool and Differential Build - Bag 2 - Step 2



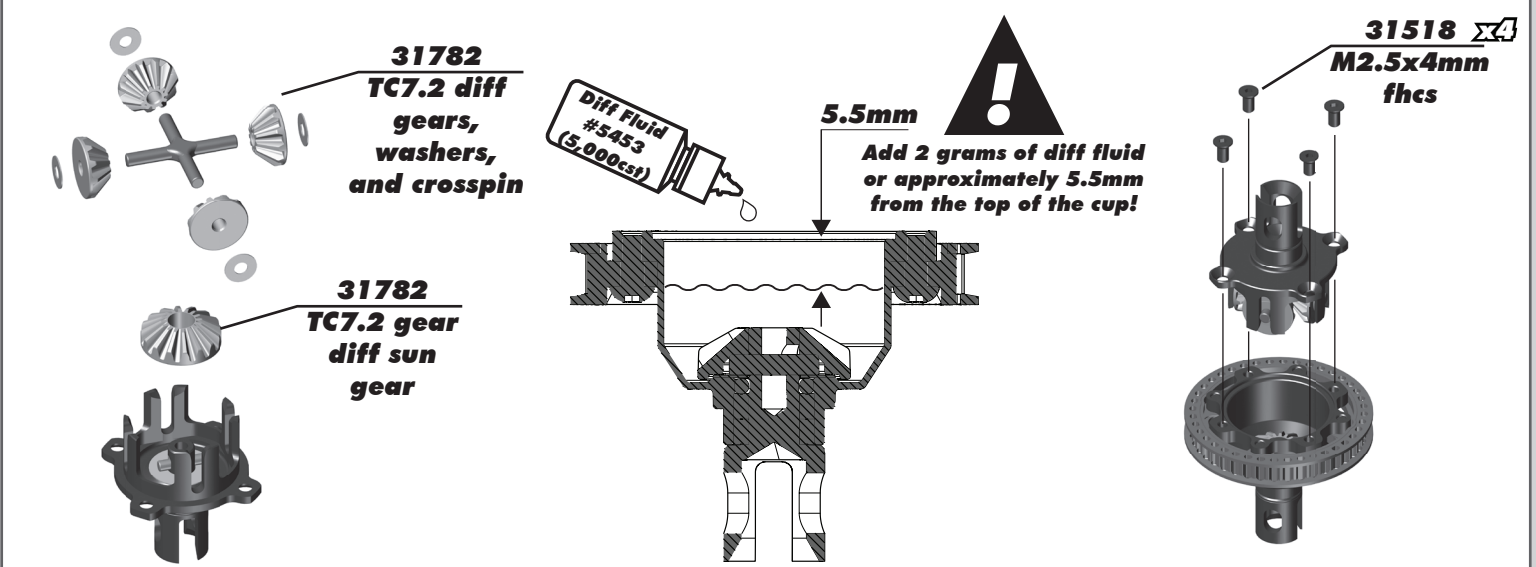
:: Spool and Differential Build - Bag 2 - Step 3



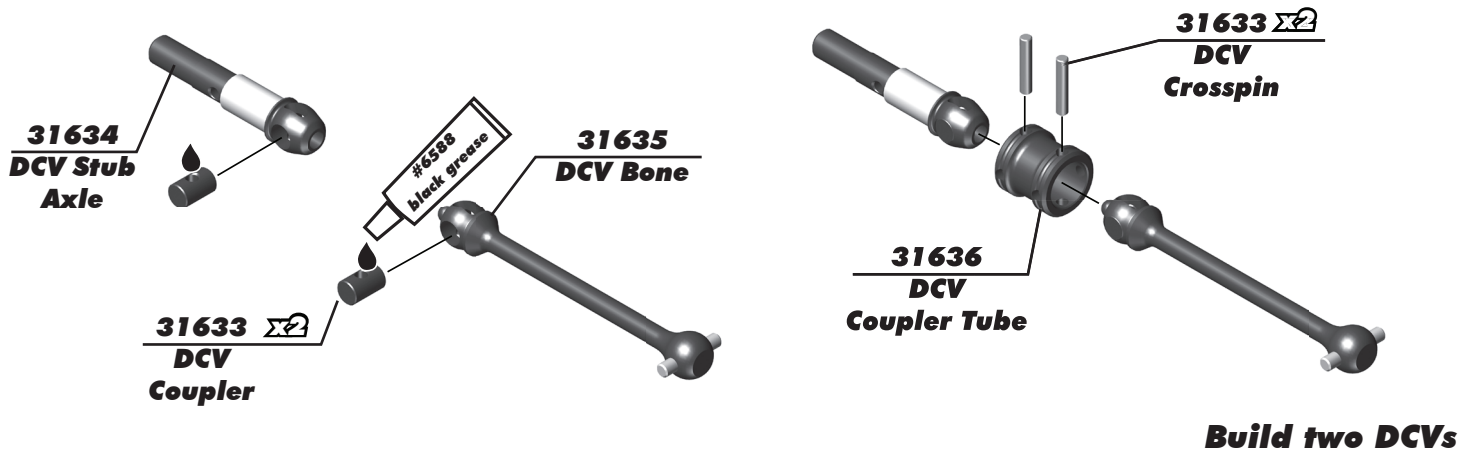
:: Spool and Differential Build - Bag 2 - Step 4



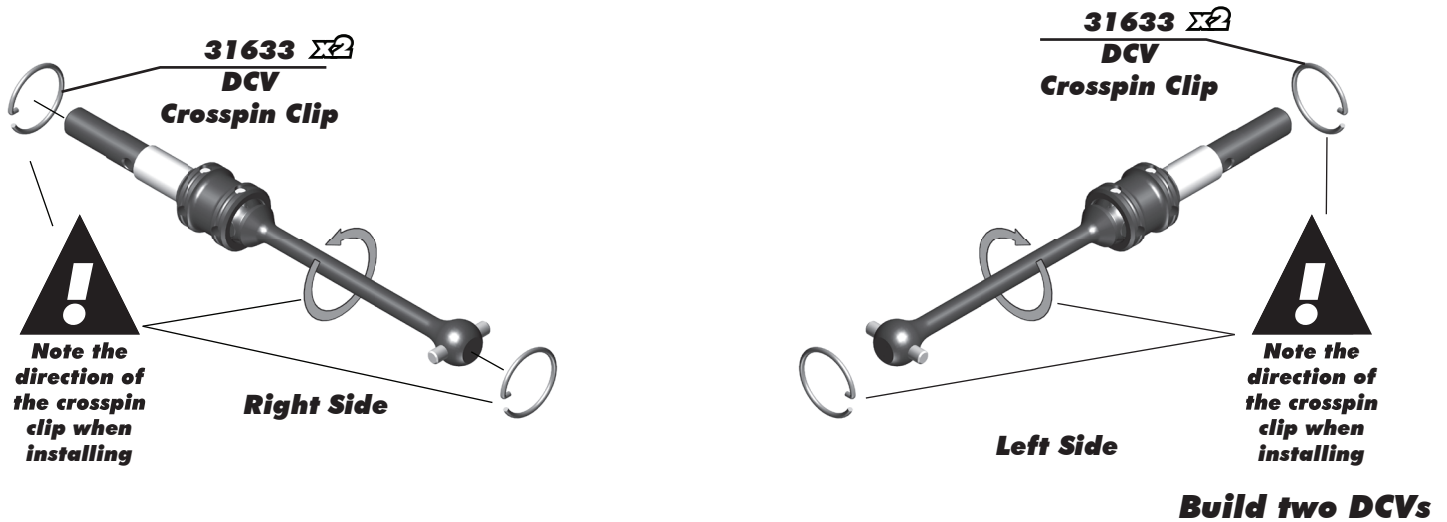
:: Spool and Differential Build - Bag 2 - Step 5



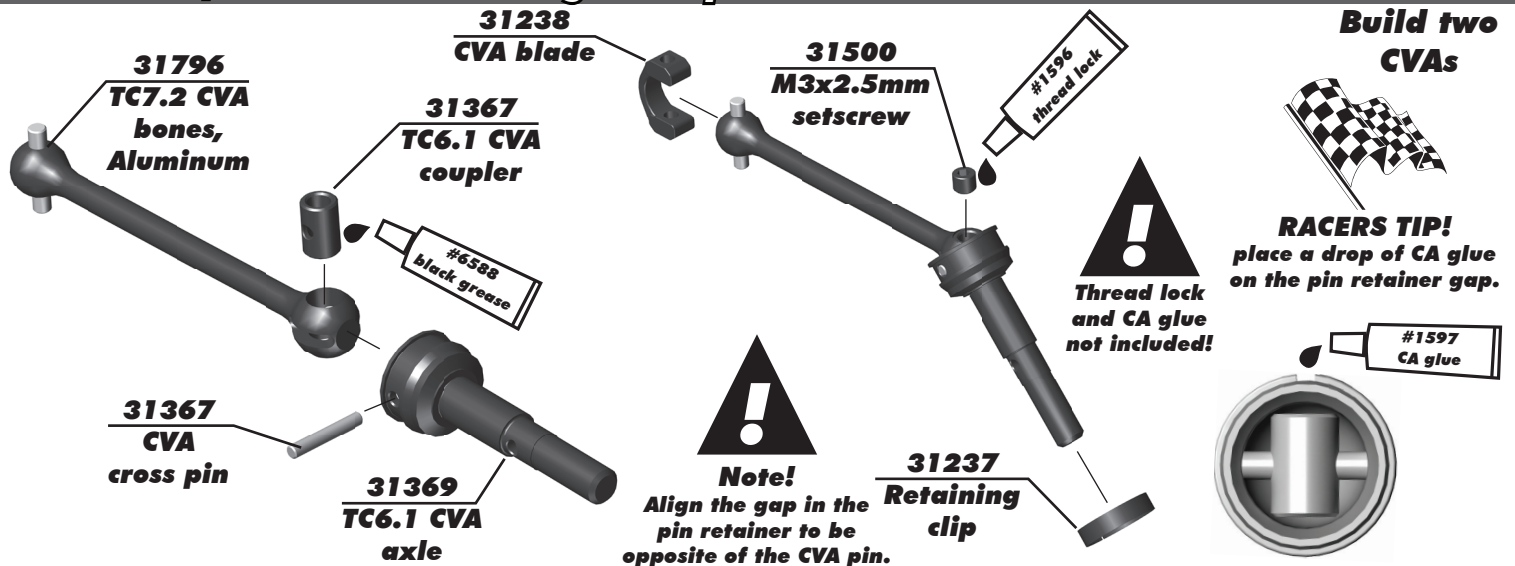
:: Front DCV / Rear CVA Build - Bag 3 - Step 1



:: Front DCV / Rear CVA Build - Bag 3 - Step 2

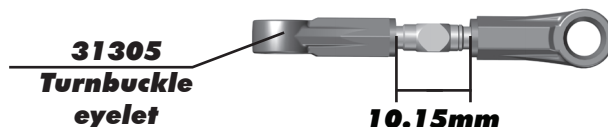
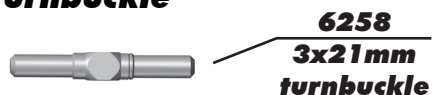


:: Front DCV / Rear CVA Build - Bag 3 - Step 3

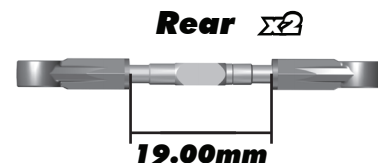
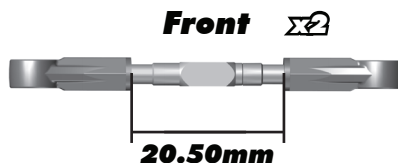


:: Turnbuckle Build - Bag 4 - Step 1

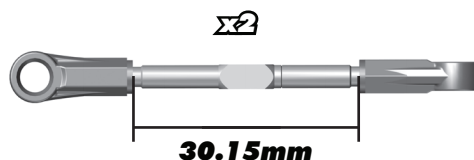
Servo Turnbuckle



Camber Turnbuckle

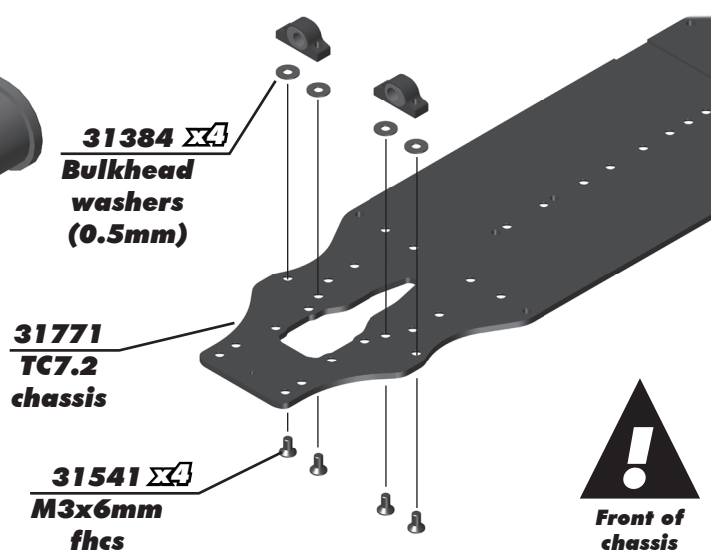
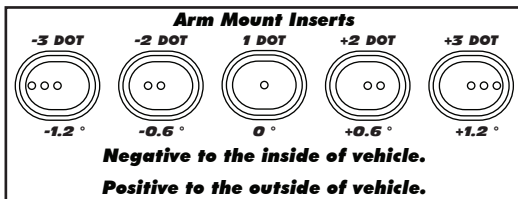
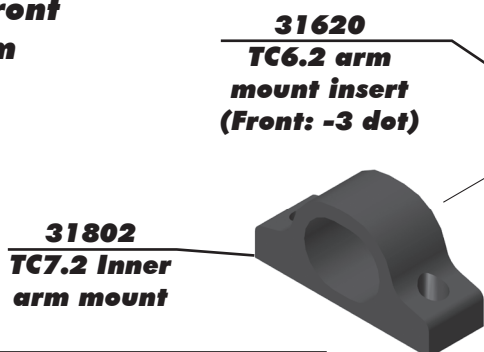


Steering Turnbuckle



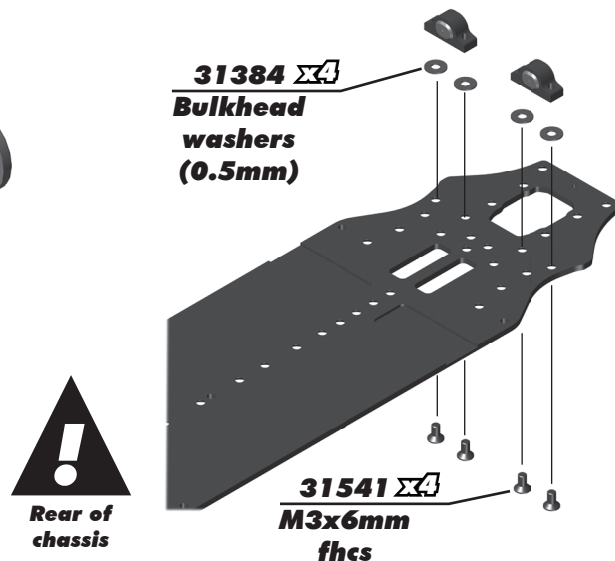
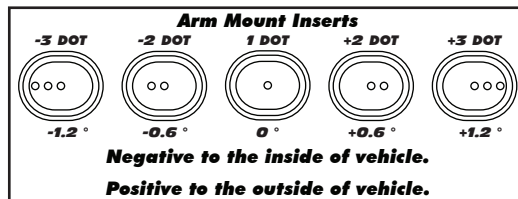
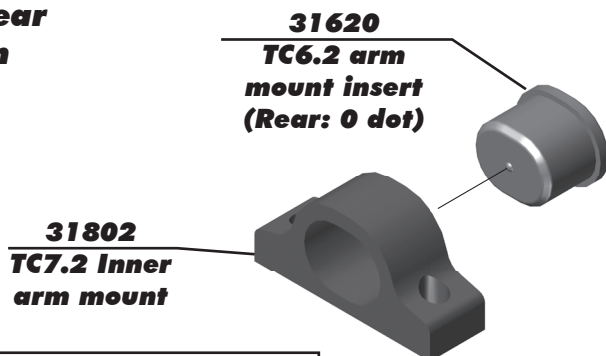
:: Suspension Arms Build - Bag 5 - Step 1

Build two front inner arm mounts



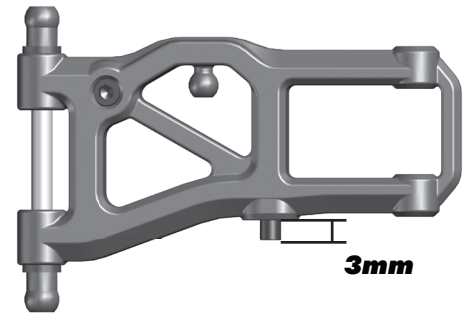
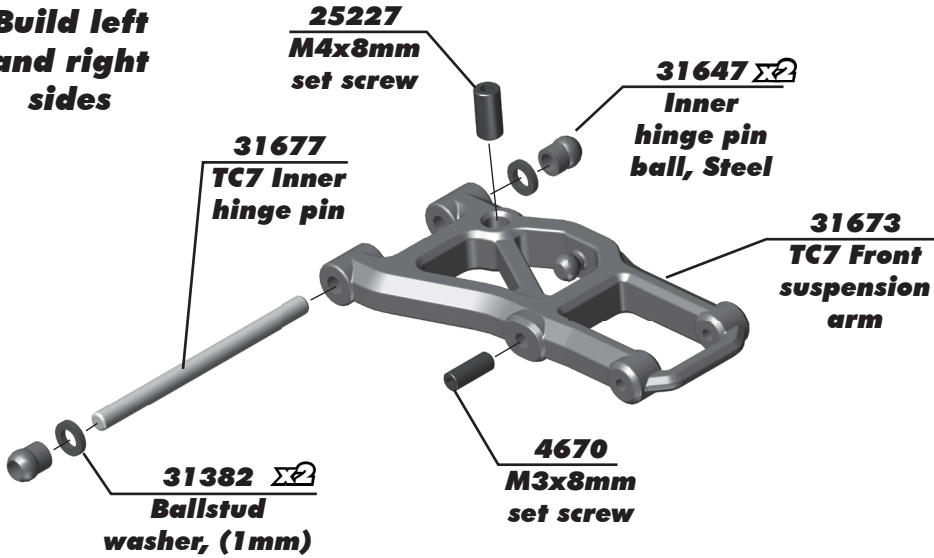
:: Suspension Arms Build - Bag 5 - Step 2

Build two rear inner arm mounts



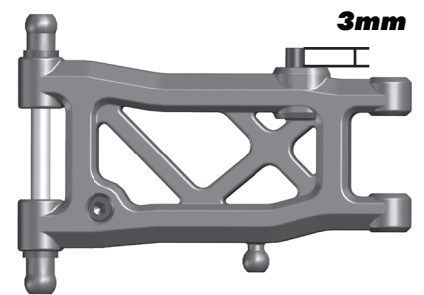
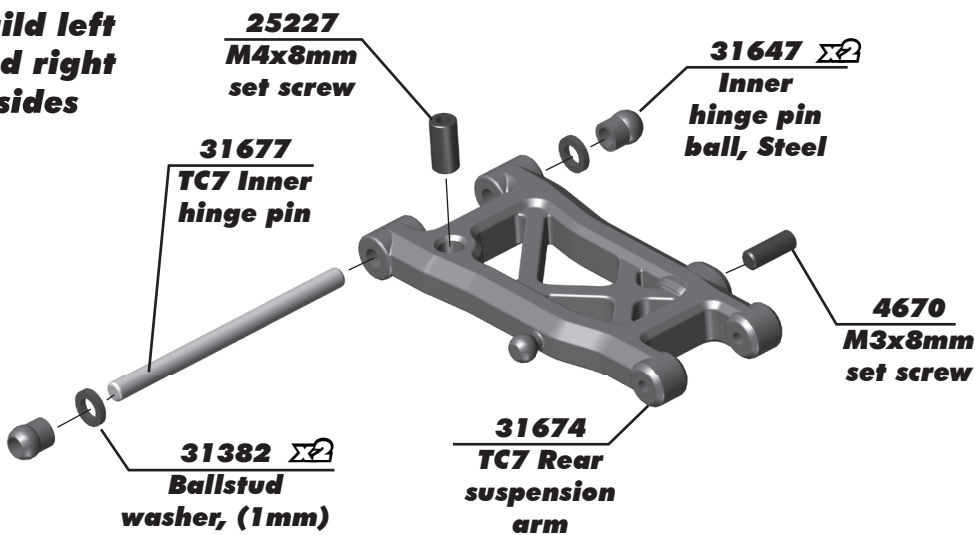
:: Suspension Arms Build - Bag 5 - Step 3

Build left and right sides

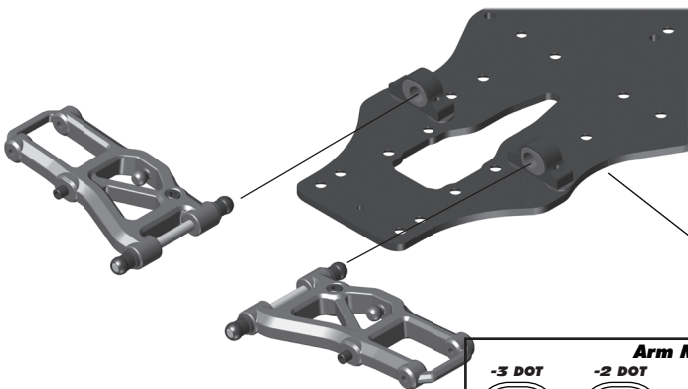


:: Suspension Arms Build - Bag 5 - Step 4

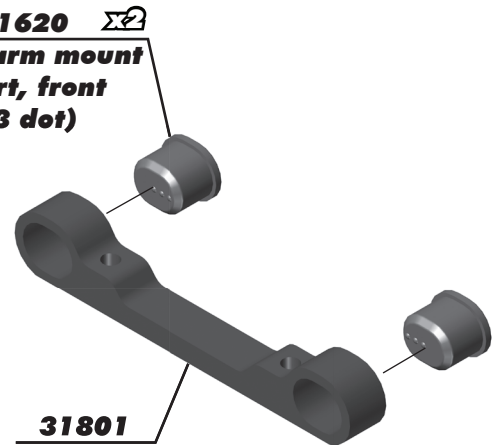
Build left and right sides



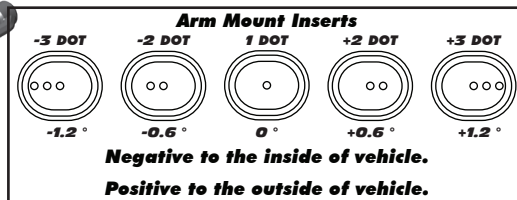
:: Suspension Arms Build - Bag 5 - Step 5



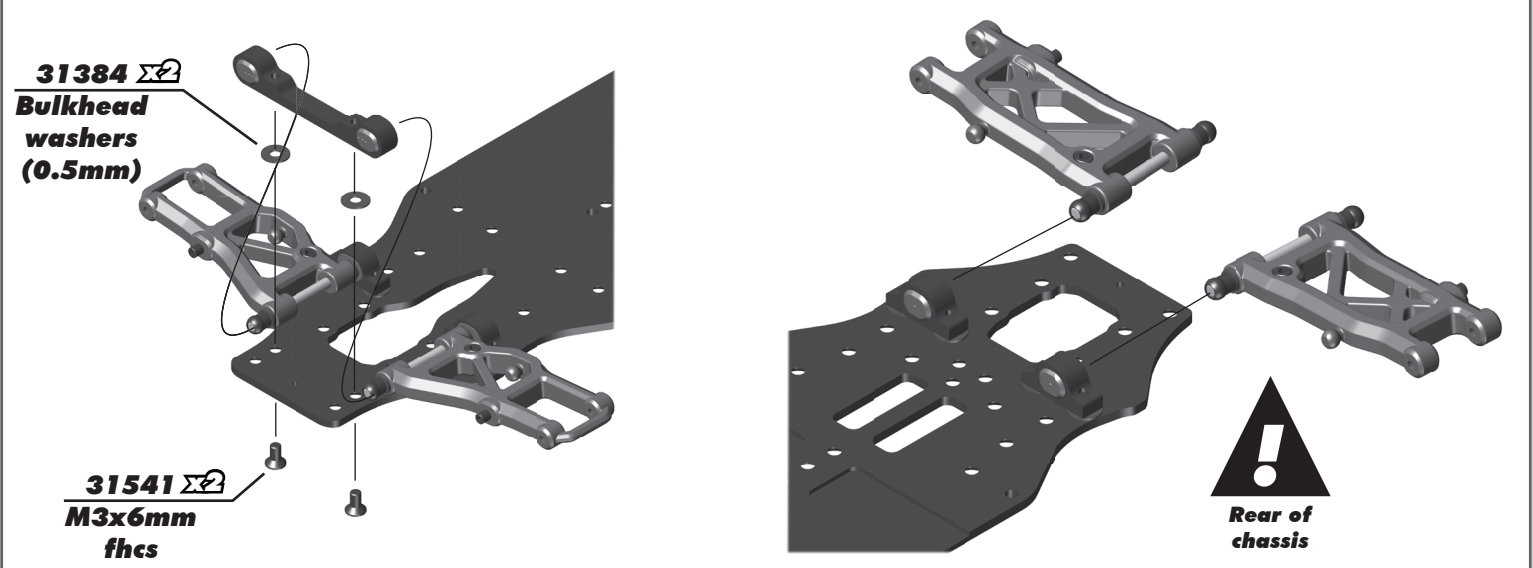
31620 TC6.2 arm mount insert, front (-3 dot)



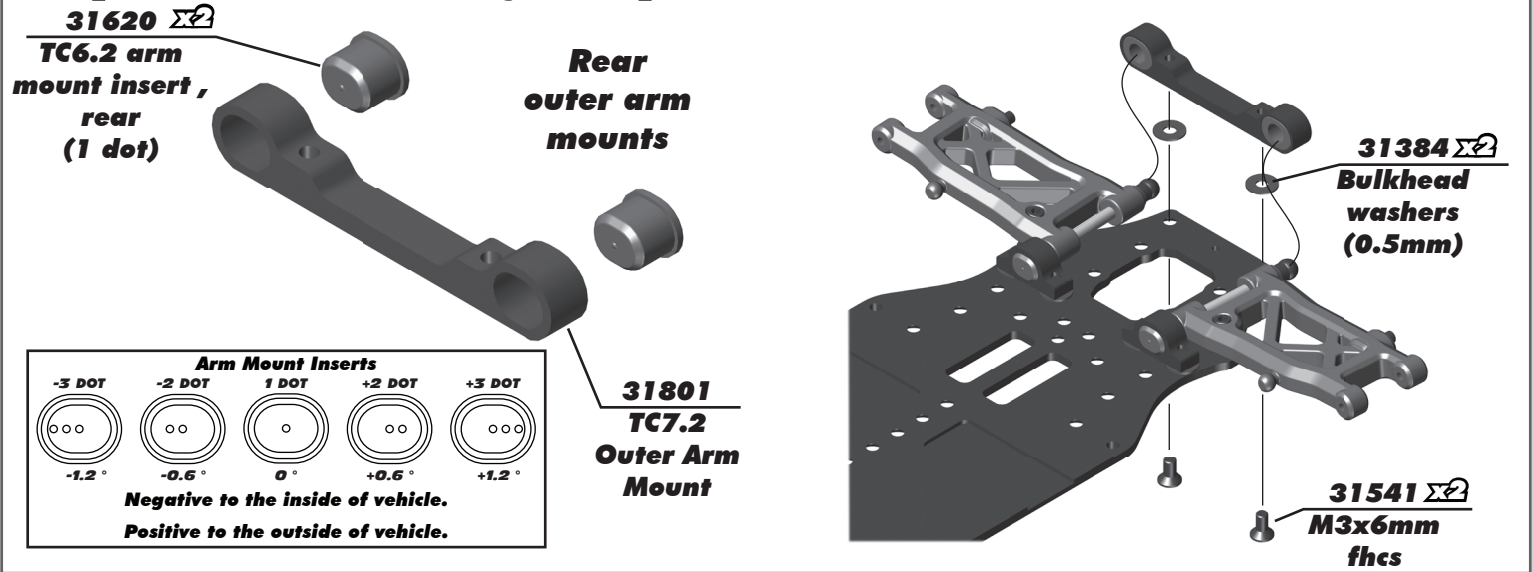
31801 TC7.2 Outer Arm Mount



:: Suspension Arms Build - Bag 5 - Step 6



:: Suspension Arms Build - Bag 5 - Step 7



:: Suspension Arms Build - Bag 5 - Step 8

Drop:

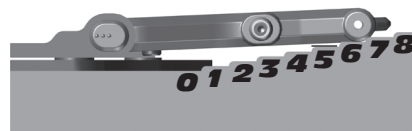
The standard settings of 6mm front and 5mm rear will work best in most cases. Drop is measured just underneath the outer hinge pin as shown in the photos to the right.

On bumpy or low grip surfaces, increase the droop (going to a lower number on the droop gauge), this will help increase traction and consistency.

Droop adjustments of 0.5mm to 1mm can be very effective on the track!

Front Droop

Setting: 6mm

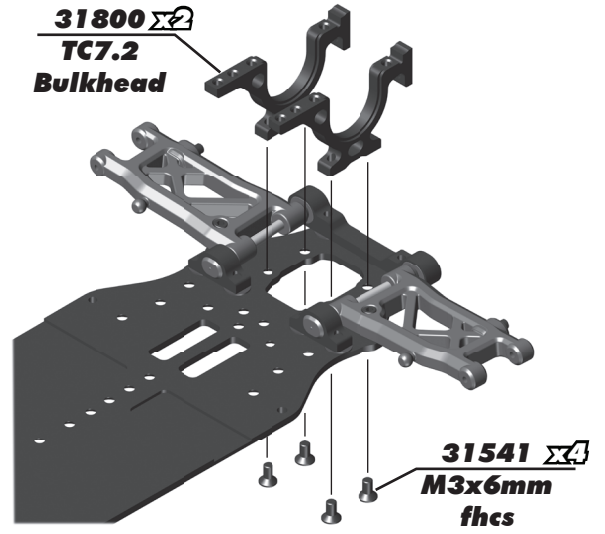
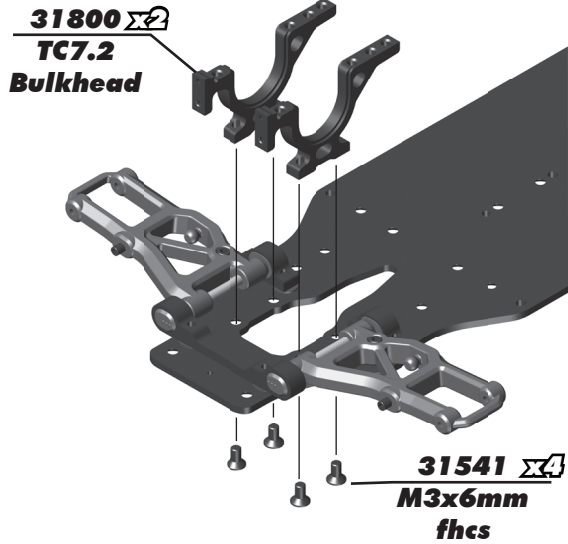


Rear Droop

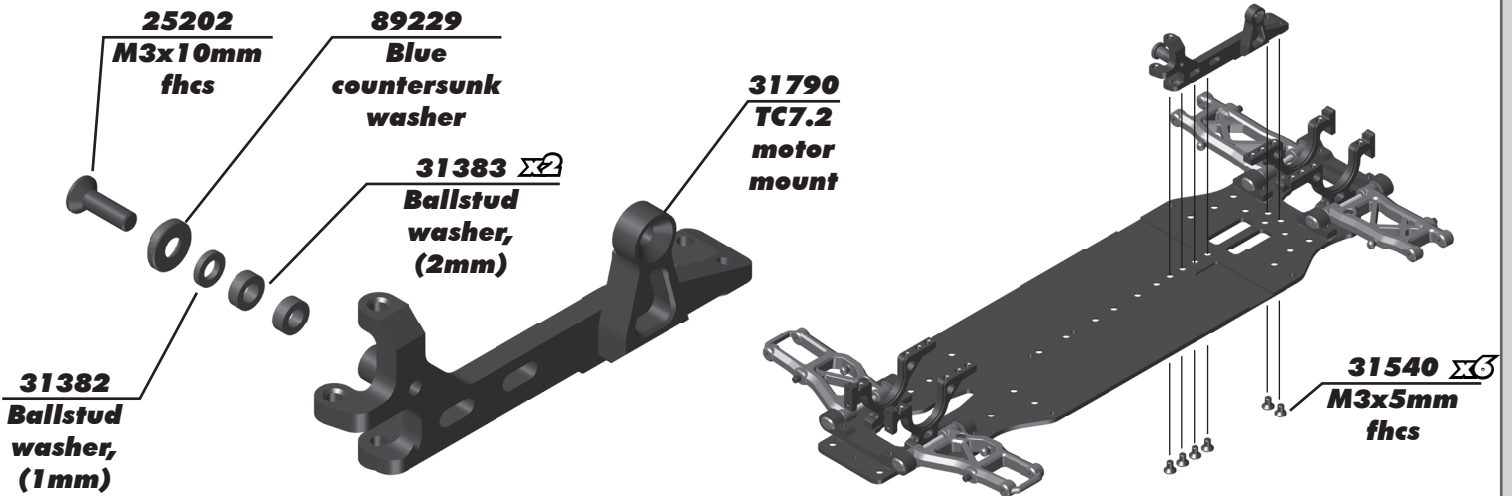
Setting: 5mm



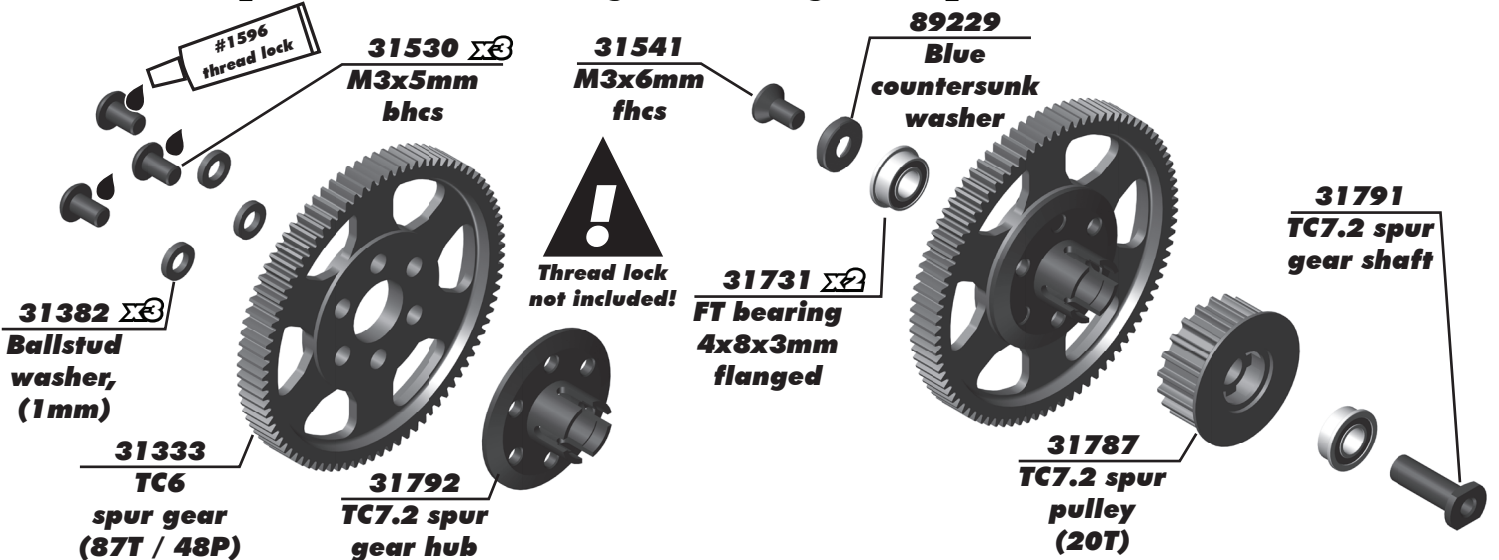
:: Bulkheads, Spur Gear, and Steering Build - Bag 6 - Step 1



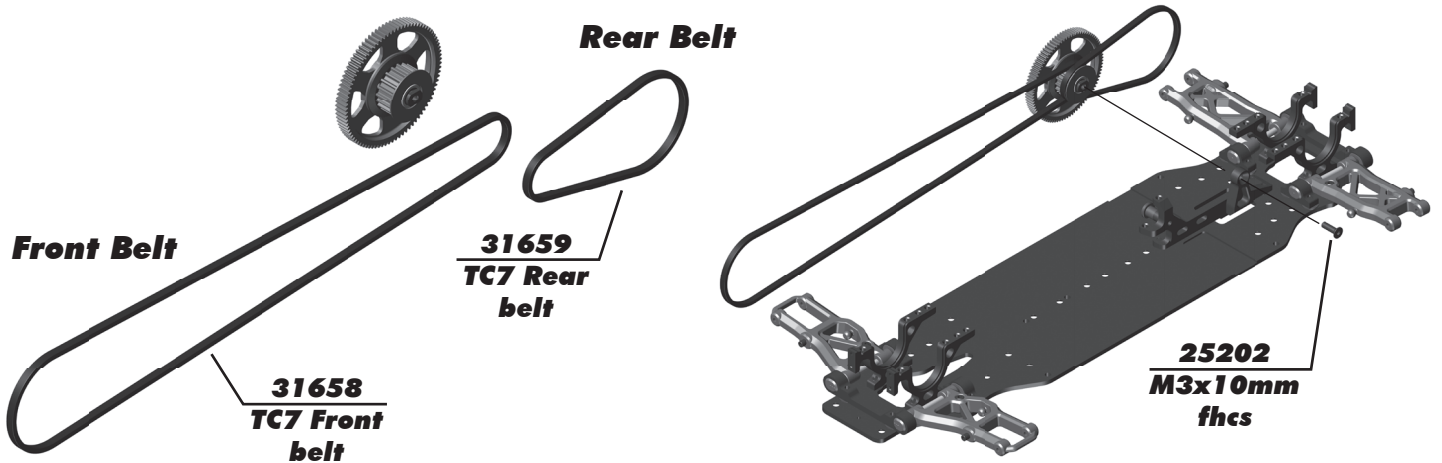
:: Bulkheads, Spur Gear, and Steering Build - Bag 6 - Step 2



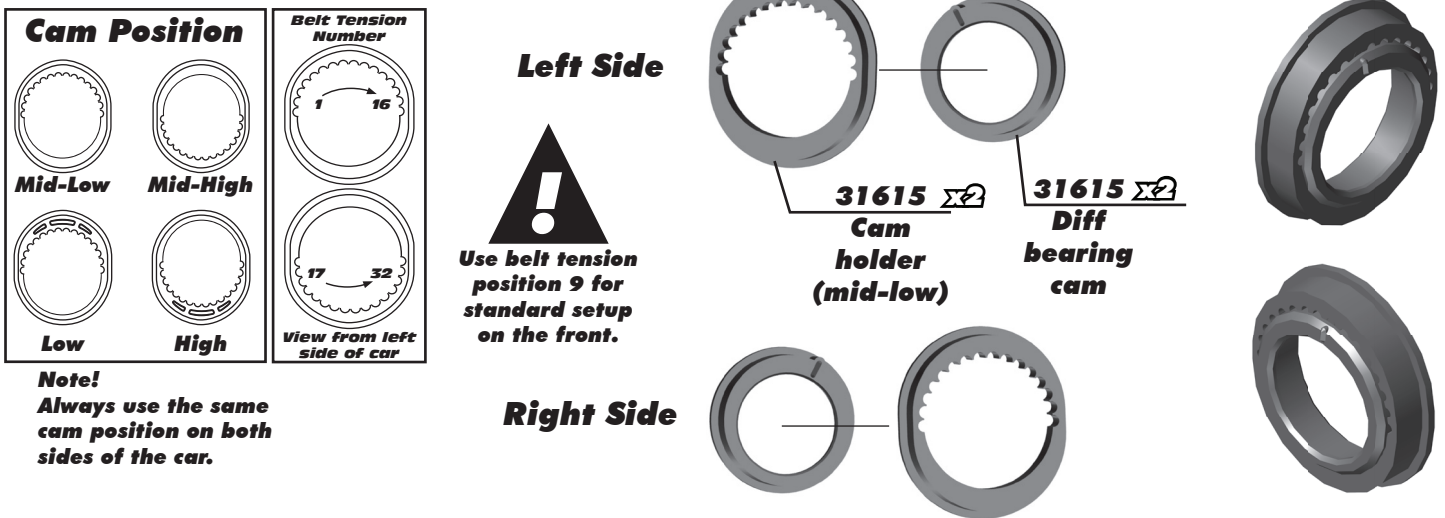
:: Bulkheads, Spur Gear, and Steering Build - Bag 6 - Step 3



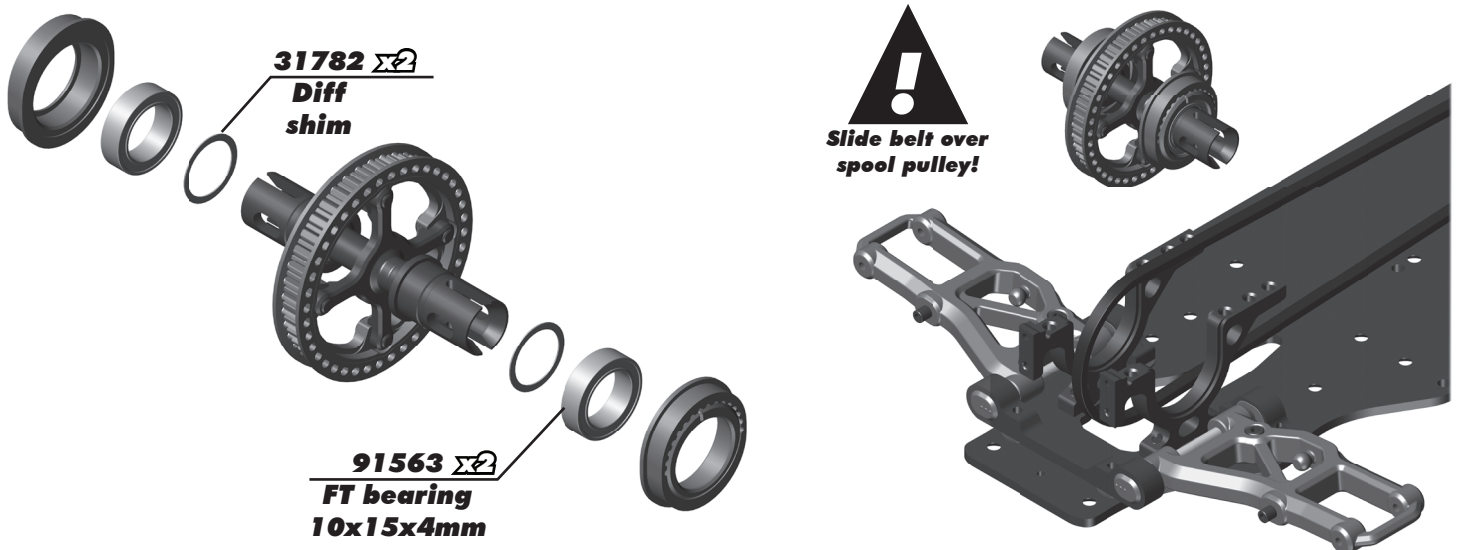
:: Bulkheads, Spur Gear, and Steering Build - Bag 6 - Step 4



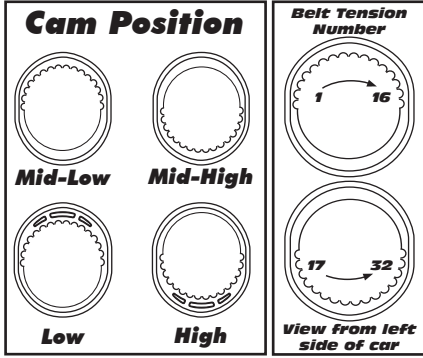
:: Bulkheads, Spur Gear, and Steering Build - Bag 6 - Step 5



:: Bulkheads, Spur Gear, and Steering Build - Bag 6 - Step 6



:: Bulkheads, Spur Gear, and Steering Build - Bag 6 - Step 7

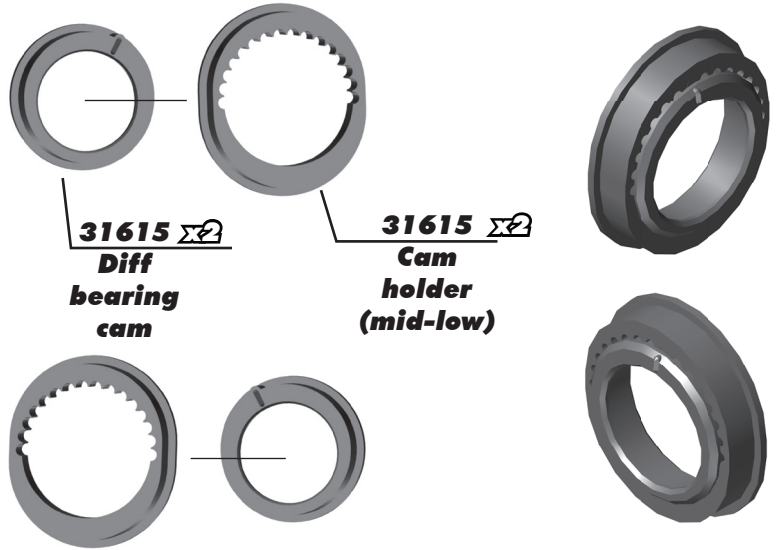


Note!
Always use the same cam position on both sides of the car.

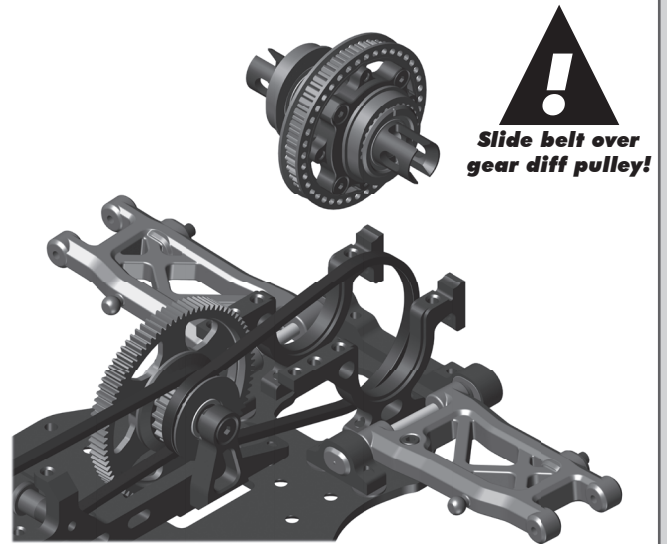
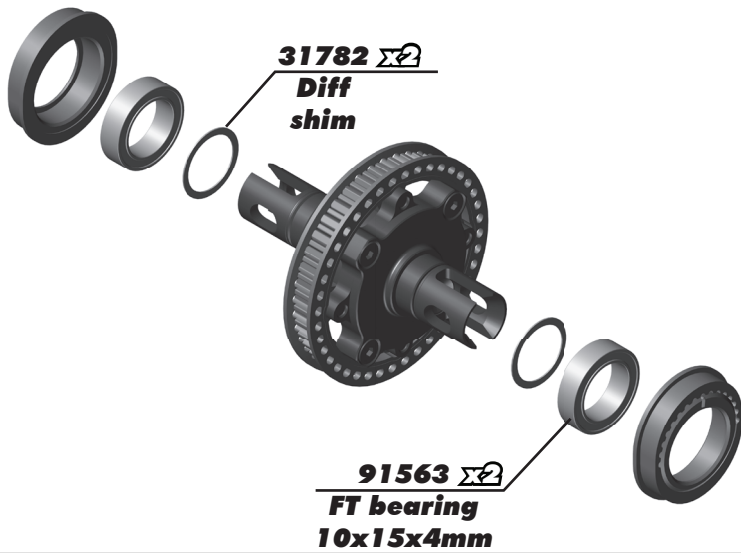
Left Side

Use belt tension position 8 for standard setup on the rear.

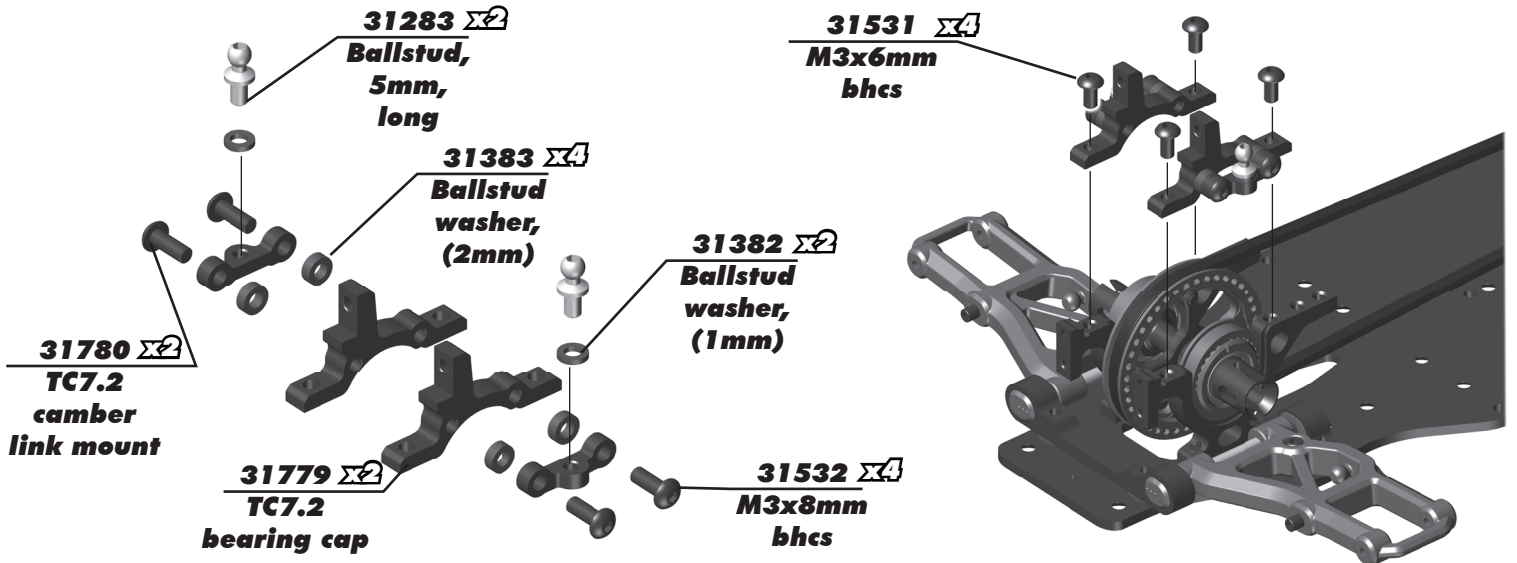
Right Side



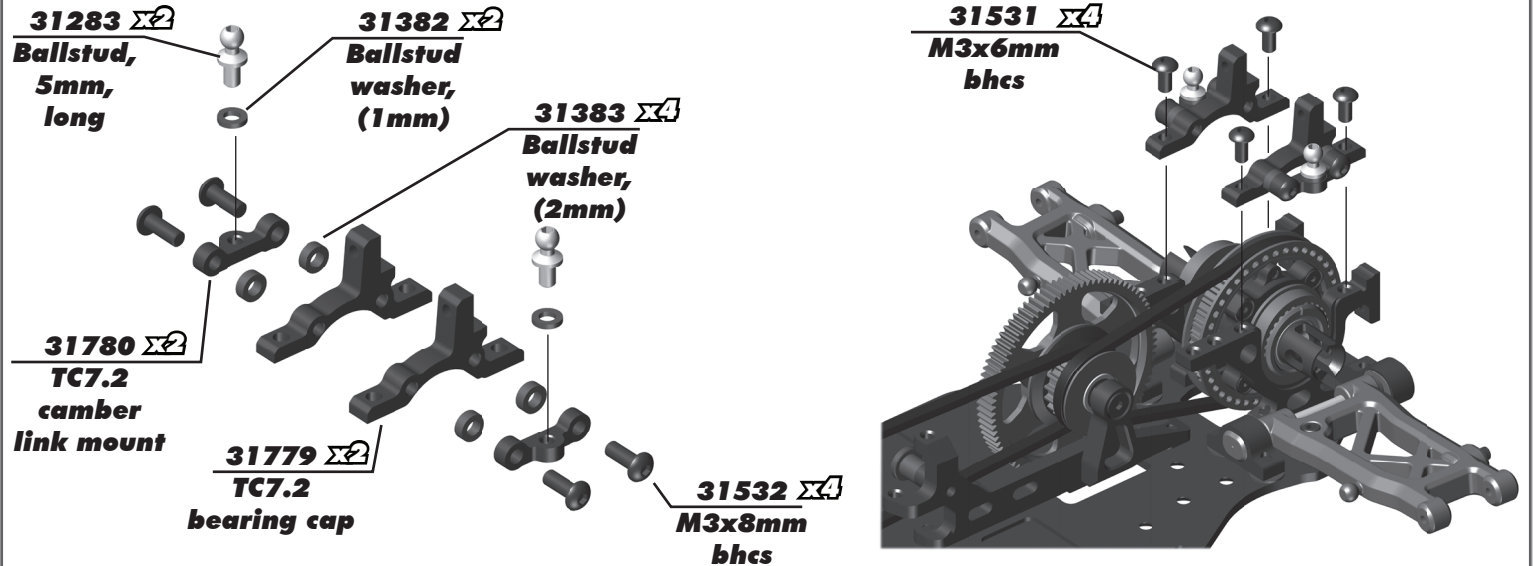
:: Bulkheads, Spur Gear, and Steering Build - Bag 6 - Step 8



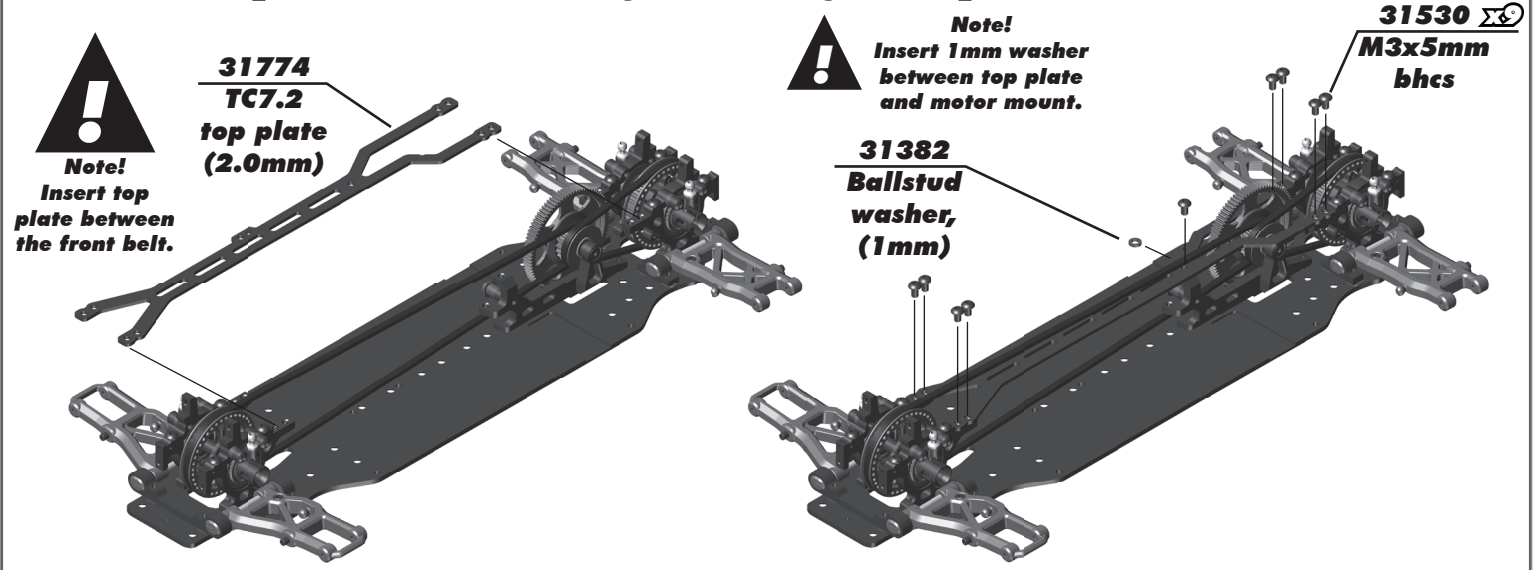
:: Bulkheads, Spur Gear, and Steering Build - Bag 6 - Step 9



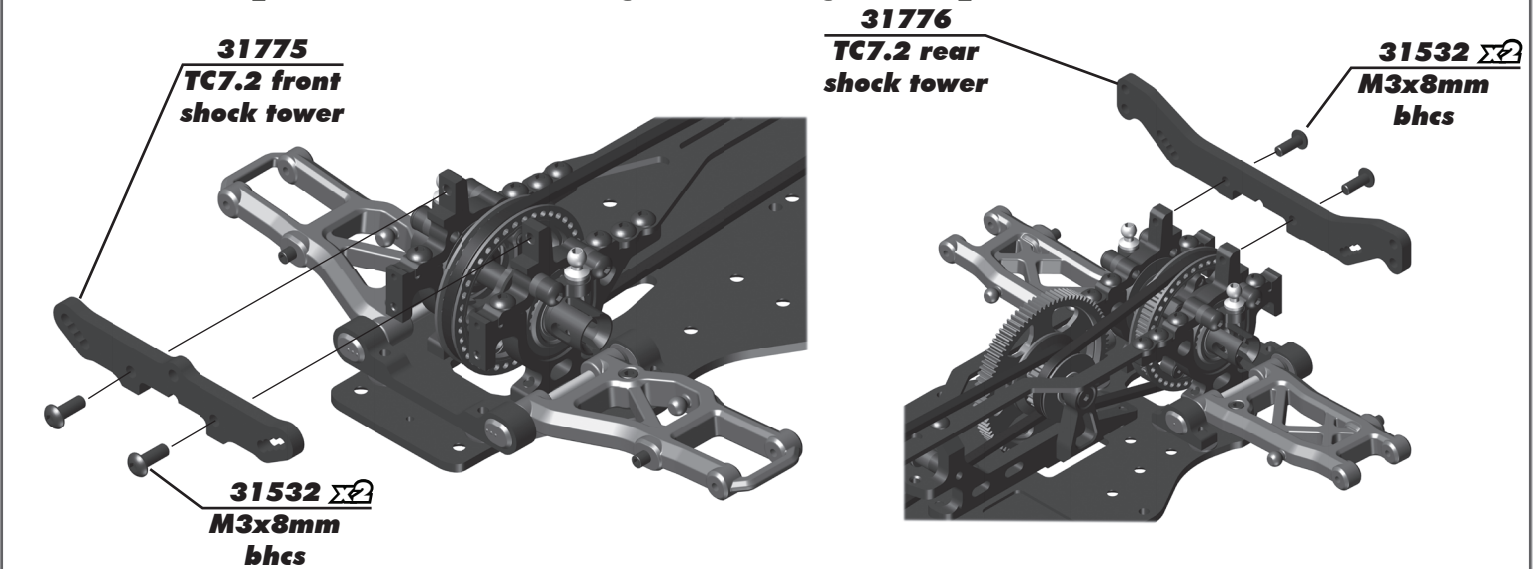
:: Bulkheads, Spur Gear, and Steering Build - Bag 6 - Step 10



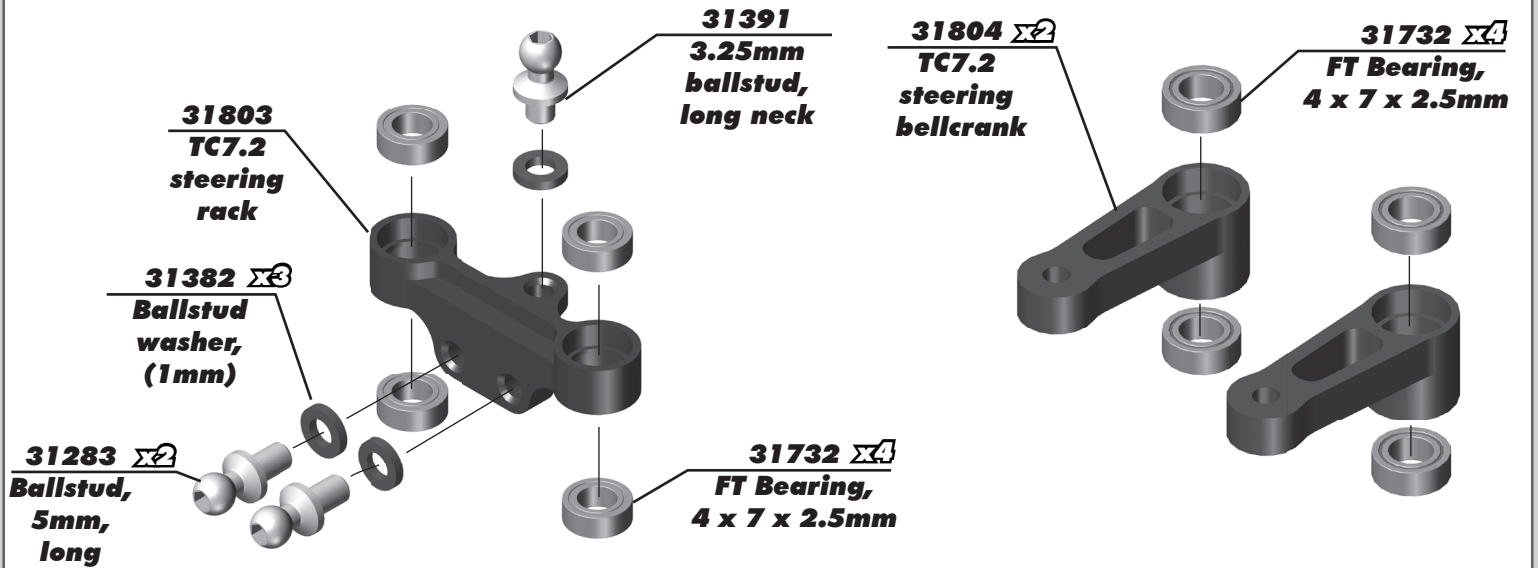
:: Bulkheads, Spur Gear, and Steering Build - Bag 6 - Step 11



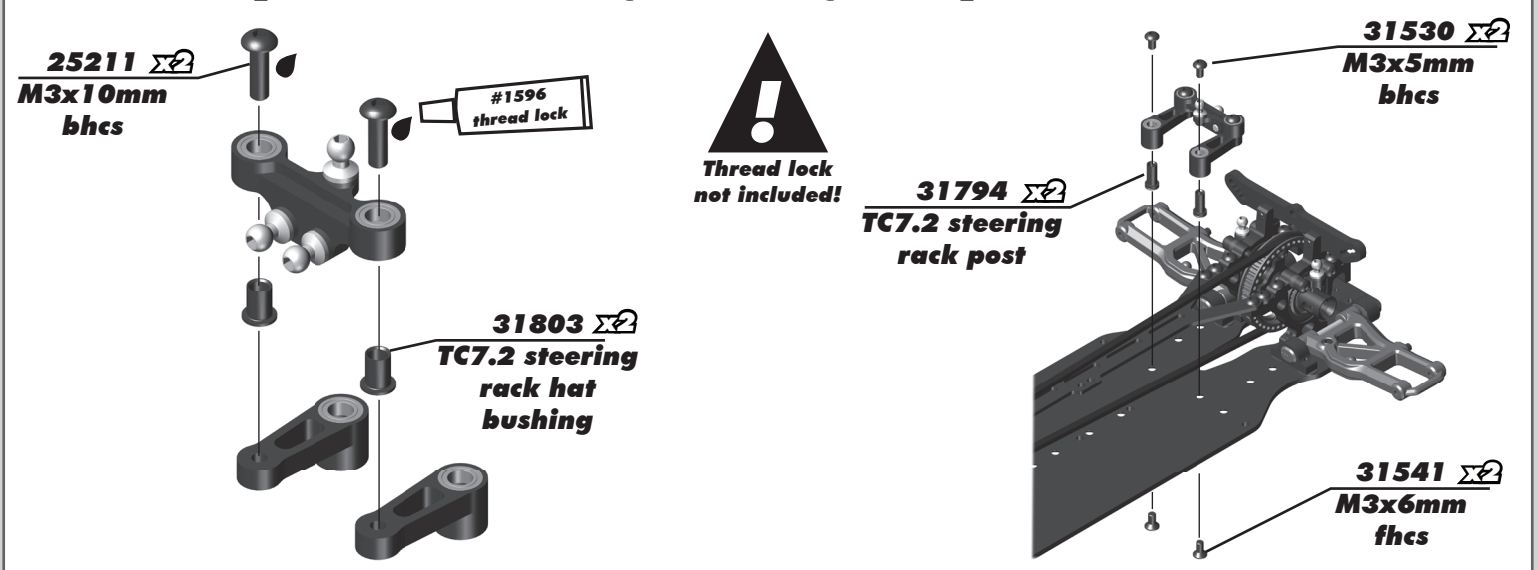
:: Bulkheads, Spur Gear, and Steering Build - Bag 6 - Step 12



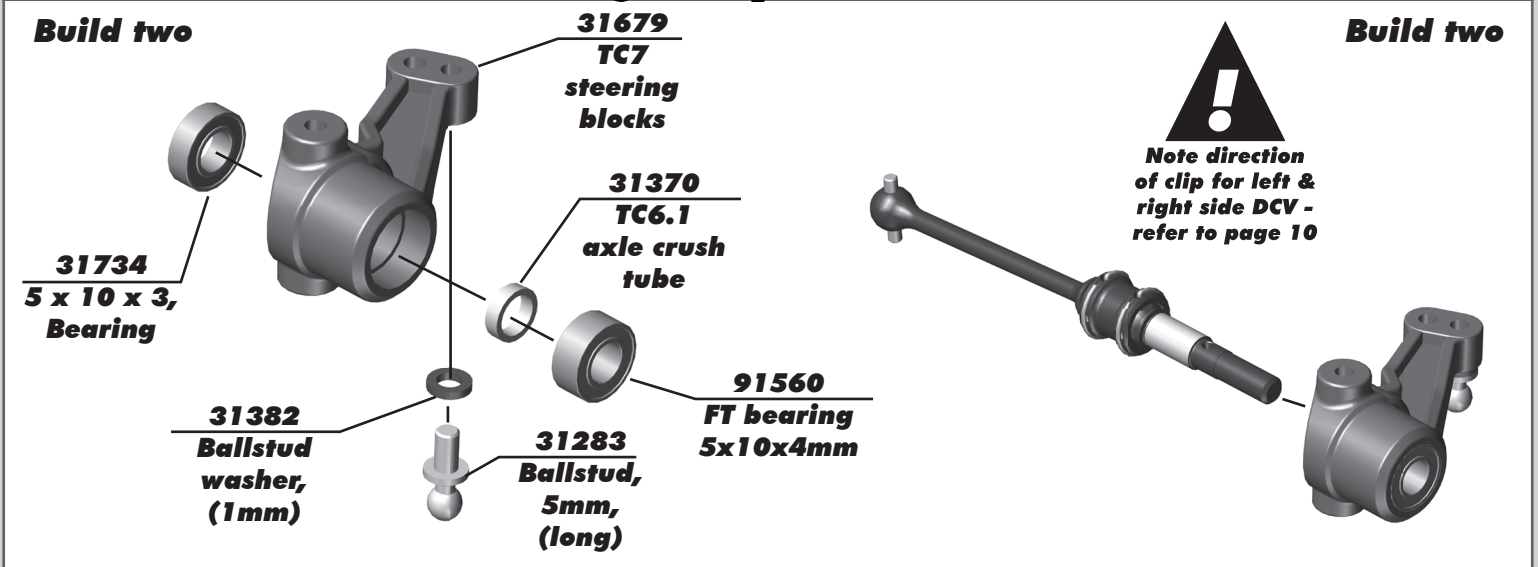
:: Bulkheads, Spur Gear, and Steering Build - Bag 6 - Step 13



:: Bulkheads, Spur Gear, and Steering Build - Bag 6 - Step 14

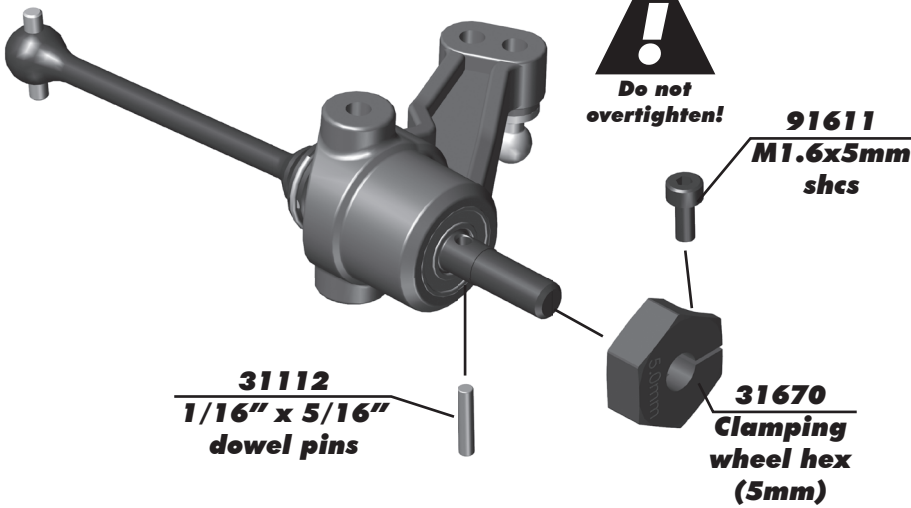


:: Caster Blocks and Hubs Build - Bag 7 - Step 1

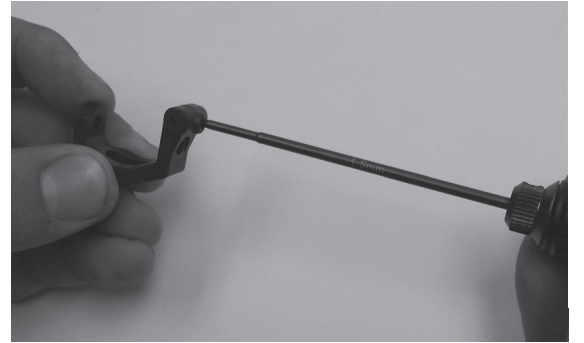


:: Caster Blocks and Hubs Build - Bag 7 - Step 2

Build two

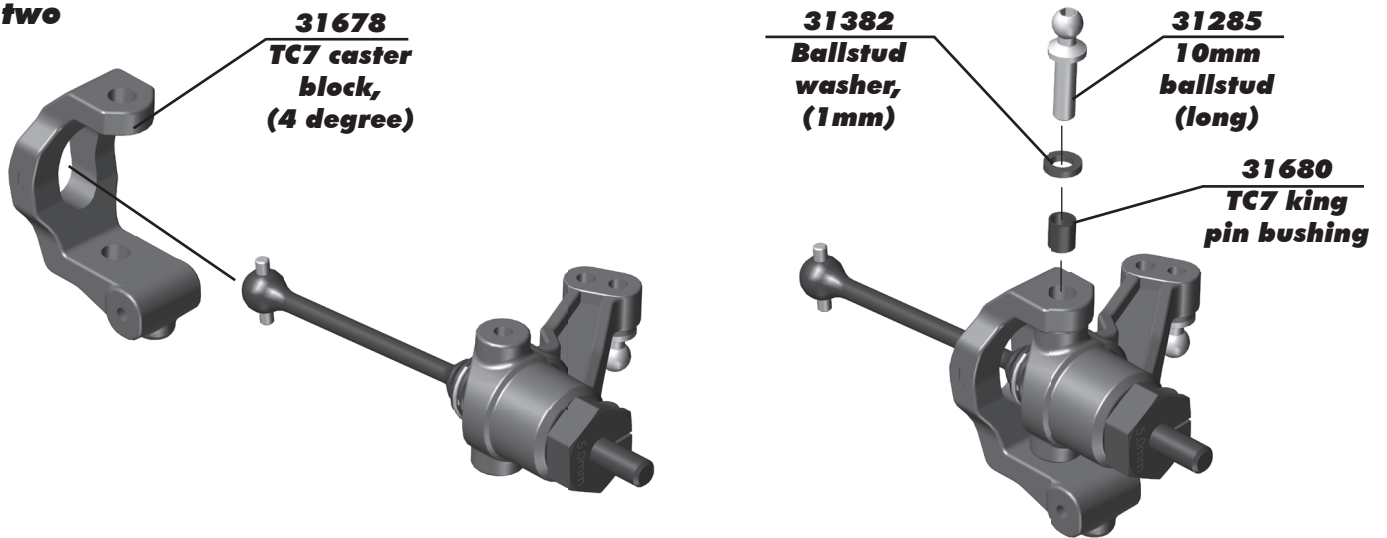


!
Use a 1.5mm hex tool tip to poke through any left over flashing (extra thin piece of plastic) in the hinge pin set screw hole on the caster blocks.



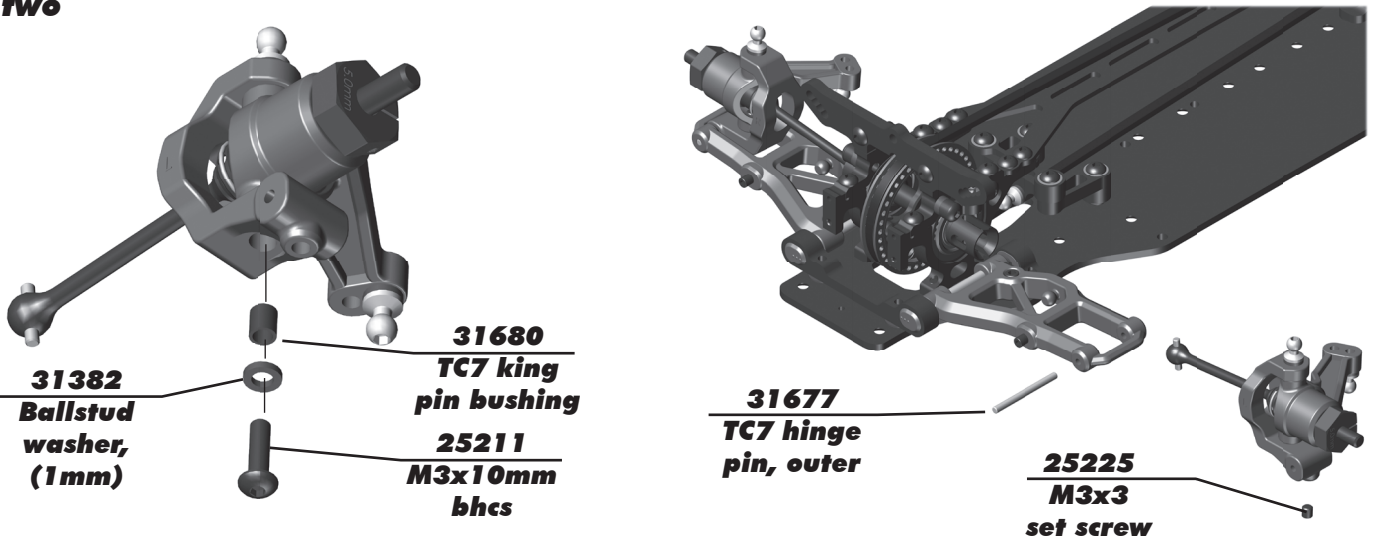
:: Caster Blocks and Hubs Build - Bag 7 - Step 3

Build two

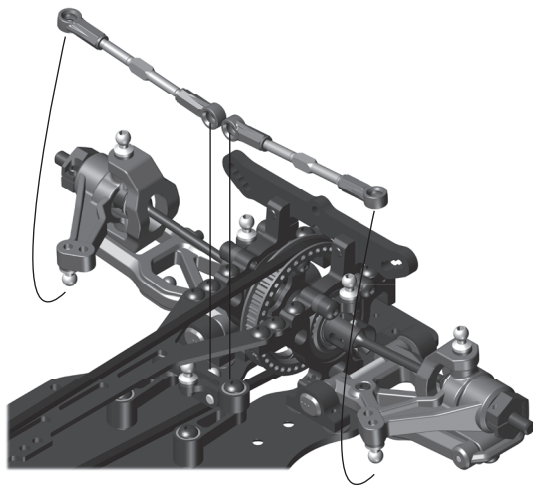


:: Caster Blocks and Hubs Build - Bag 7 - Step 4

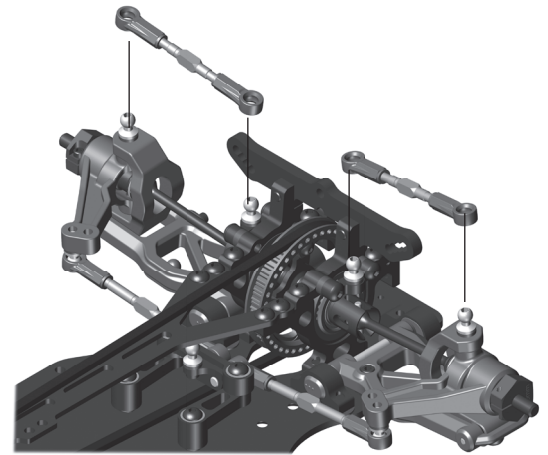
Build two



:: Caster Blocks and Hubs Build - Bag 7 - Step 5



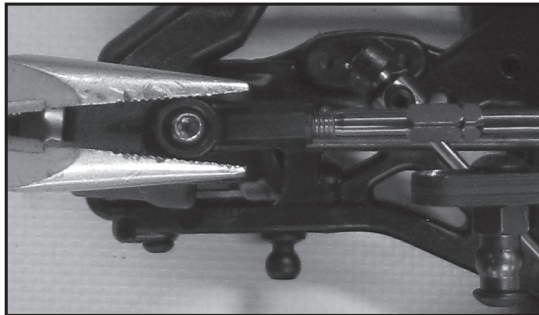
Orient the notch to the left throughout the car. The notch indicates which end has the left hand threads!



:: Caster Blocks and Hubs Build - Bag 7 - Step 6



It is important that the turnbuckle eyelets move freely once snapped on to the ballstud. If the fit is too tight, the car handling will be inconsistent. To check, grab turnbuckle eyelet with fingers and rotate the cup. If there is resistance, lightly squeeze ball cup with needle nose pliers as shown and test again. It is important that the ball cup be snapped onto the ballstud before squeezing with needle nose pliers. Be sure to check and adjust the fit for each ball cup that is installed.

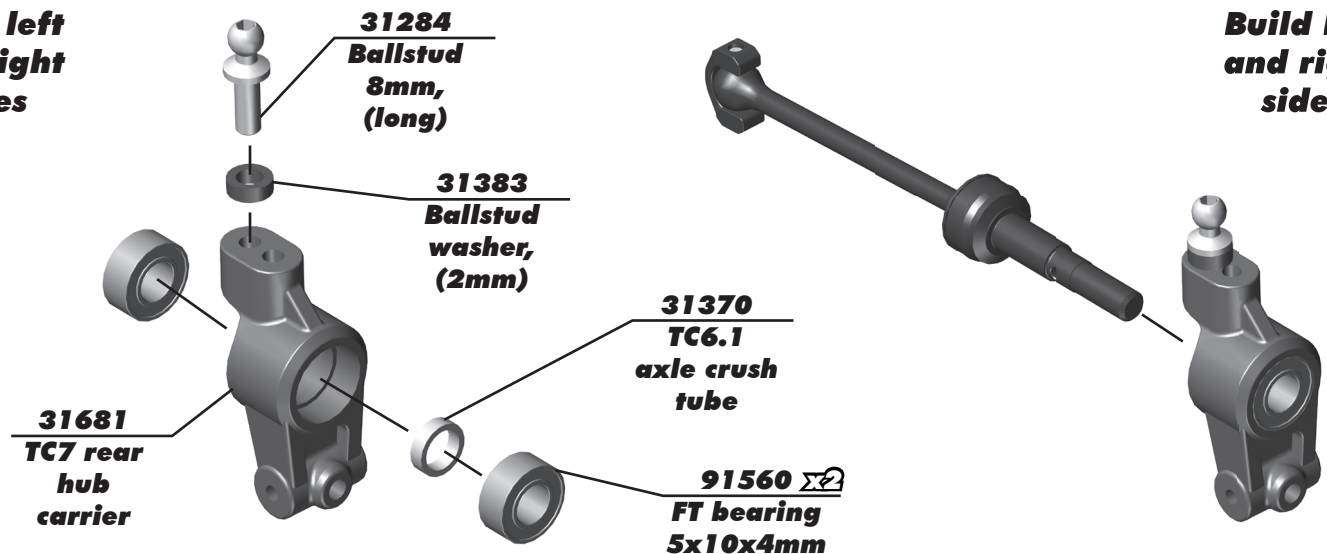


Use a 1.5mm hex tool tip to poke through any left over flashing (extra thin piece of plastic) in the hinge pin set screw hole on the rear hubs.



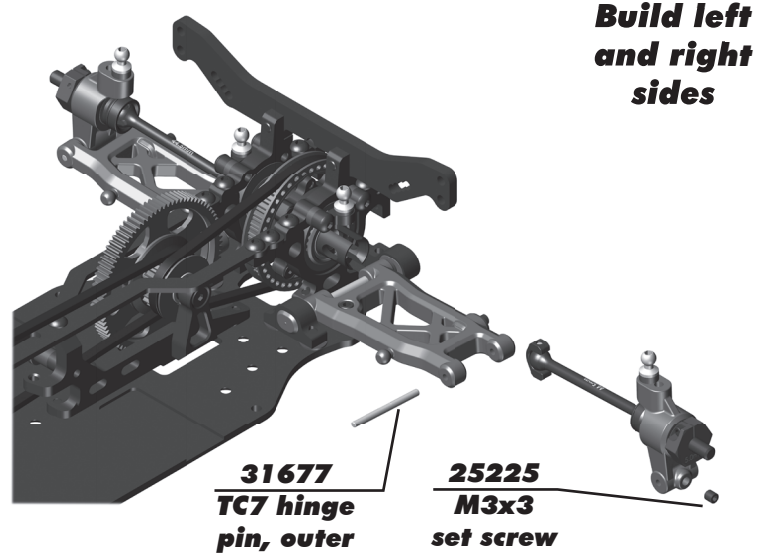
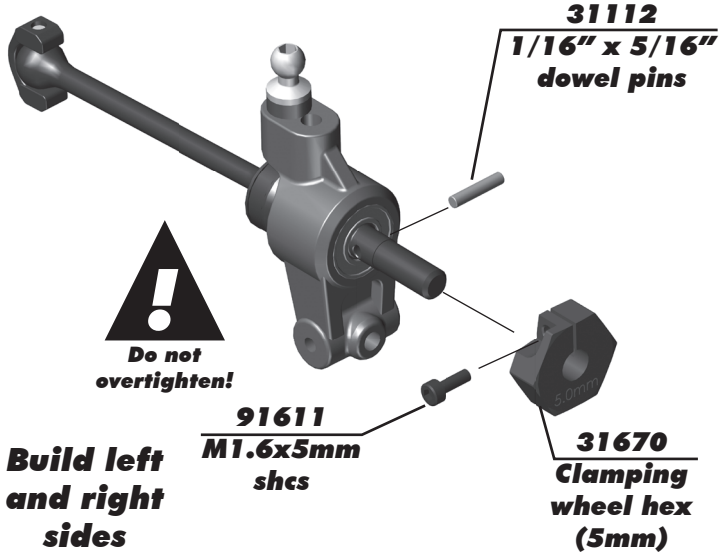
:: Caster Blocks and Hubs Build - Bag 7 - Step 7

Build left and right sides

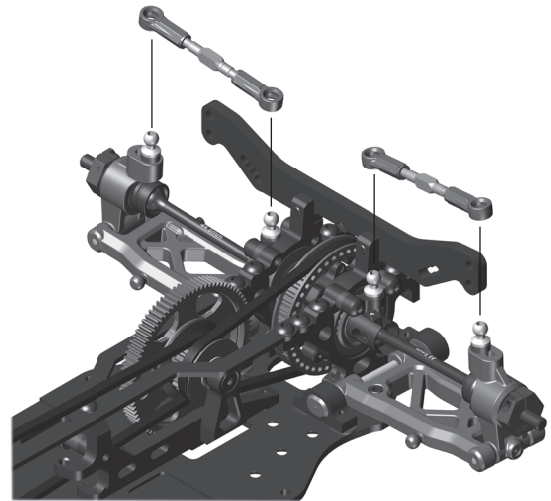


Build left and right sides

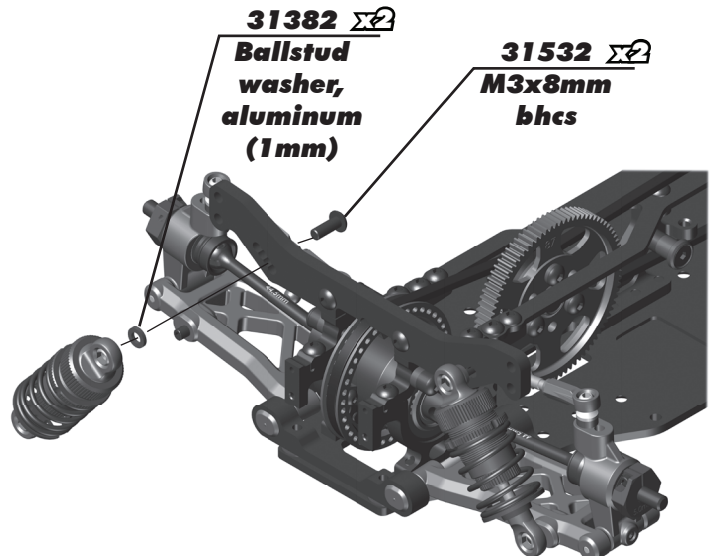
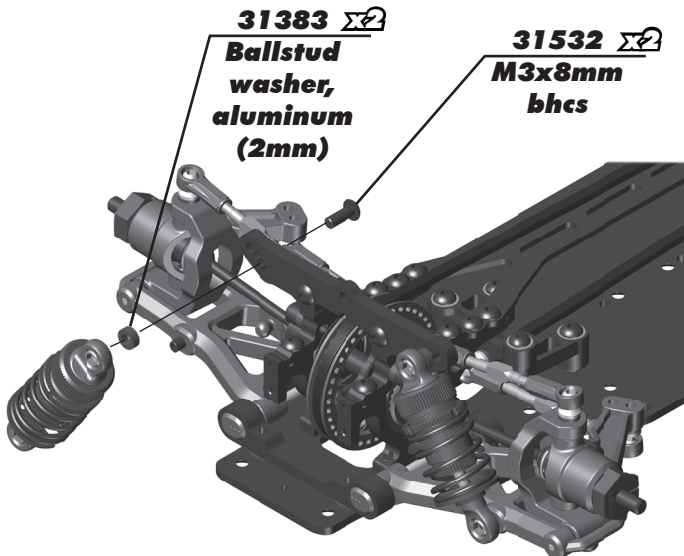
:: Caster Blocks and Hubs Build - Bag 7 - Step 8



:: Caster Blocks and Hubs Build - Bag 7 - Step 9



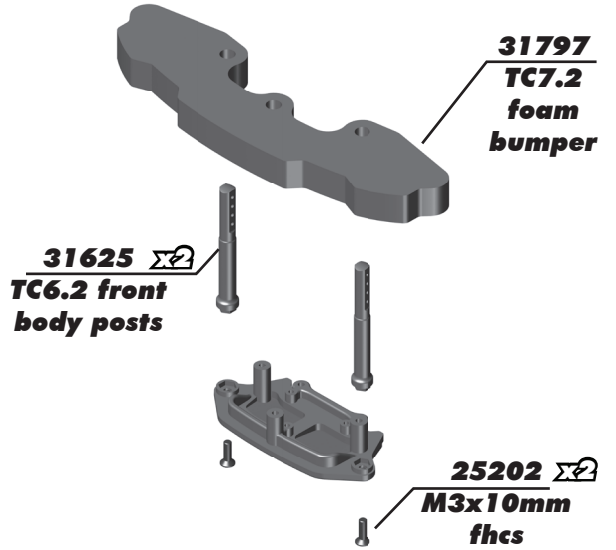
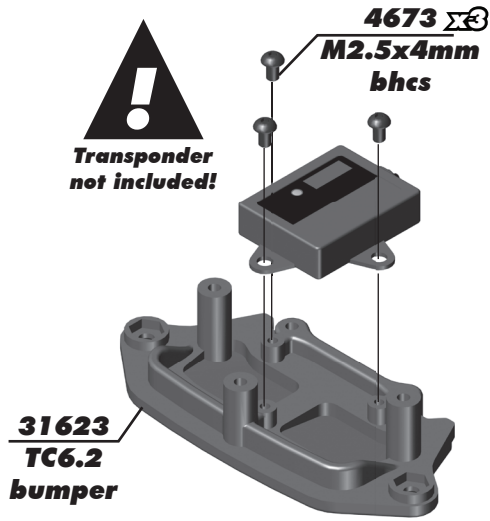
:: Bumper, Anti-Roll Bar, and Electronics Build - Bag 8 - Step 1



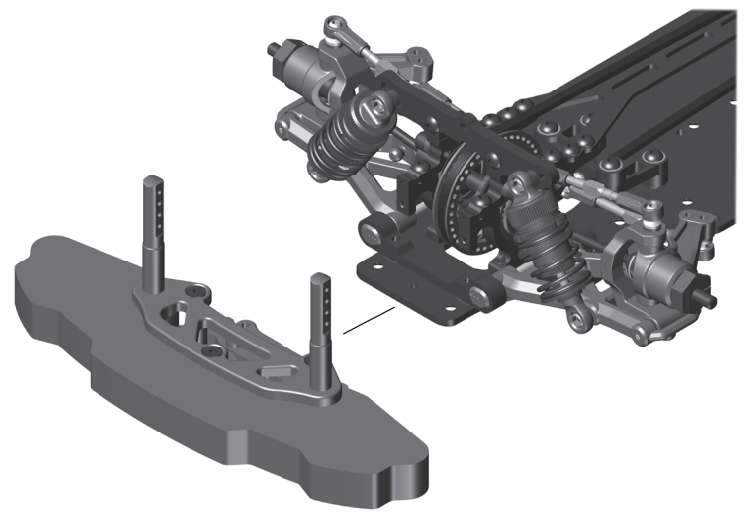
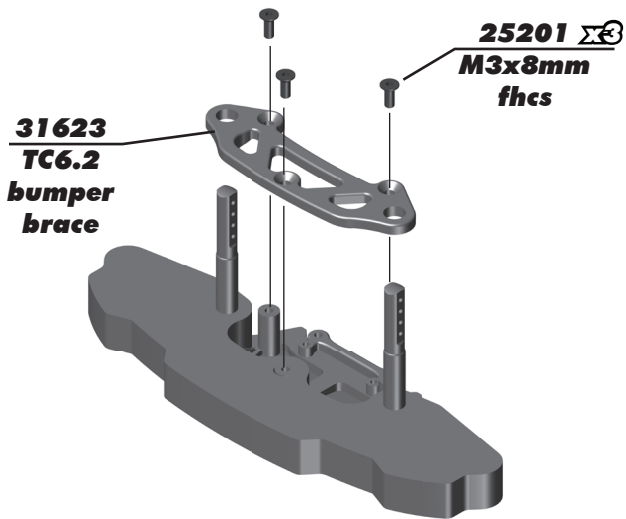
:: Bumper, Anti-Roll Bar, and Electronics Build - Bag 8 - Step 2



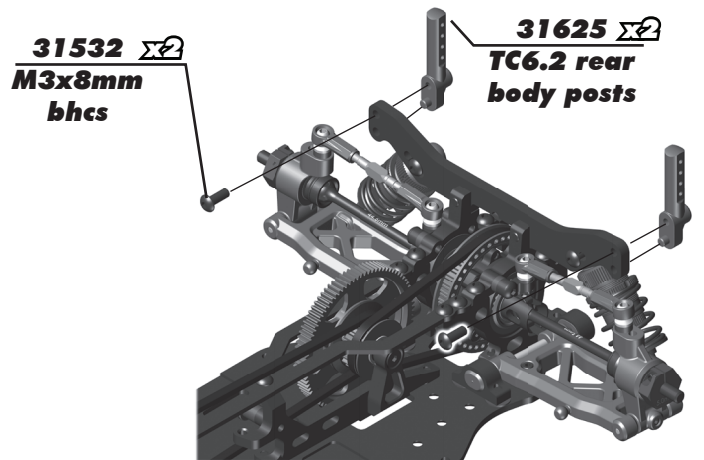
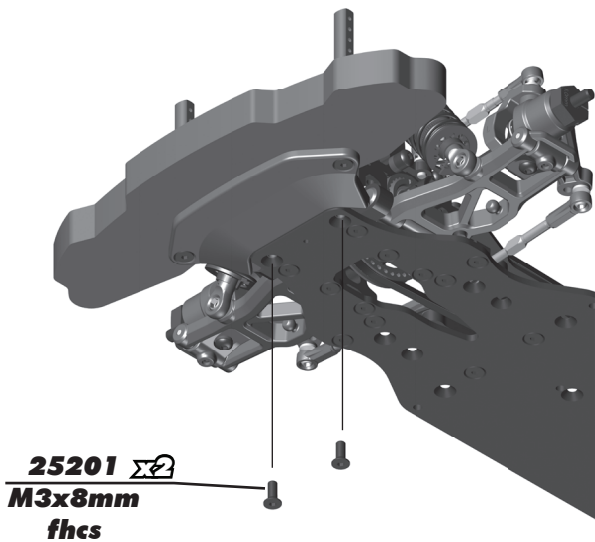
**Transponder
not included!**



:: Bumper, Anti-Roll Bar, and Electronics Build - Bag 8 - Step 3



:: Bumper, Anti-Roll Bar, and Electronics Build - Bag 8 - Step 4



:: Bumper, Anti-Roll Bar, and Electronics Build - Bag 8 - Step 5

31701
TC7 anti-roll bar eyelet

31701
TC7 anti-roll bar coupler

31058
Anti roll bar ballstud

31305
Turnbuckle eyelet

31703
TC7 Front anti-roll bar, 1.4mm (blue)

31707
TC7 Rear anti-roll bar, 1.2mm (white)

31500
M3x2.5mm set screw

31701
TC7 anti-roll bar retainer

Anti Roll Bar Link Adjustment
9.5mm

Anti Roll Bar Color/Size Chart	
Green	1.1mm
White	1.2mm
Gray	1.3mm
Blue	1.4mm
Yellow	1.5mm

Build four anti-roll bar mounts

!
Shrink the colored heat shrink tubing to the anti roll bar!

:: Bumper, Anti-Roll Bar, and Electronics Build - Bag 8 - Step 6

31500
M3x2.5mm set screw

!
Tighten #25225 set screws just enough to allow the anti-roll bar to move freely!

25225 $\Sigma 2$
M3x3mm set screw

31511 $\Sigma 2$
M2x5mm shcs

31701 $\Sigma 2$
TC7 anti-roll bar mount

:: Bumper, Anti-Roll Bar, and Electronics Build - Bag 8 - Step 7

31500
M3x2.5mm set screw

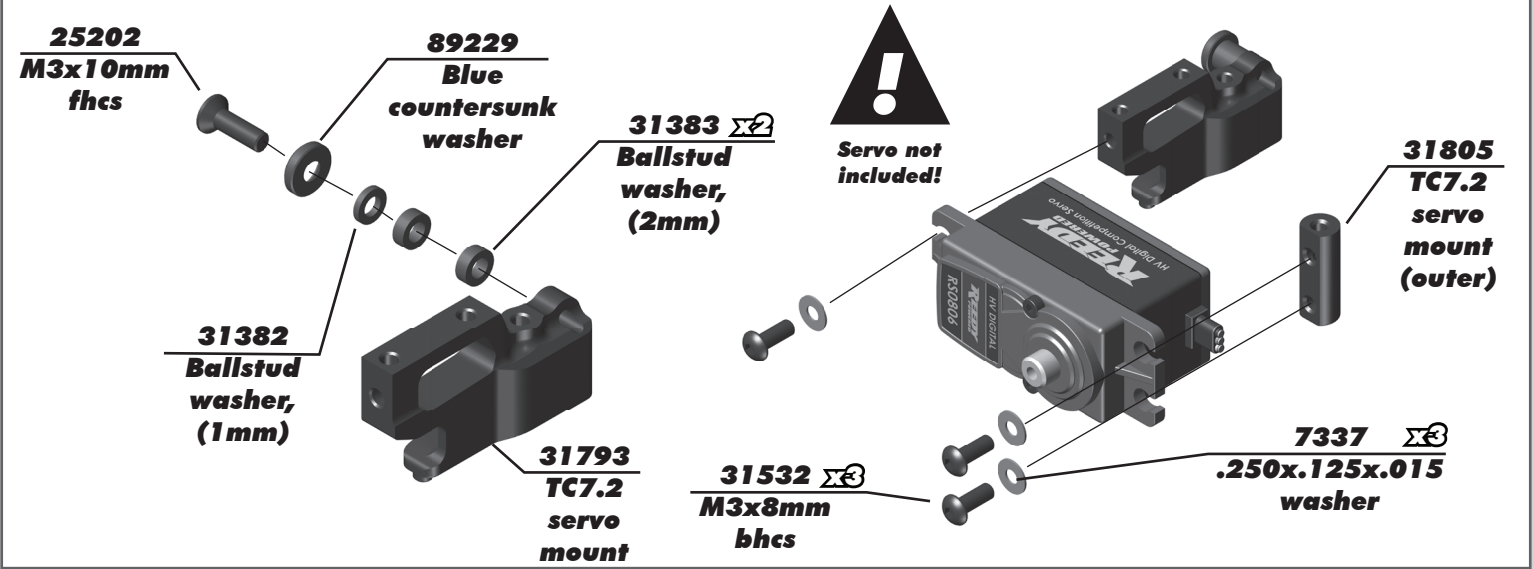
!
Tighten #25225 set screws just enough to allow the anti-roll bar to move freely!

25225 $\Sigma 2$
M3x3mm set screw

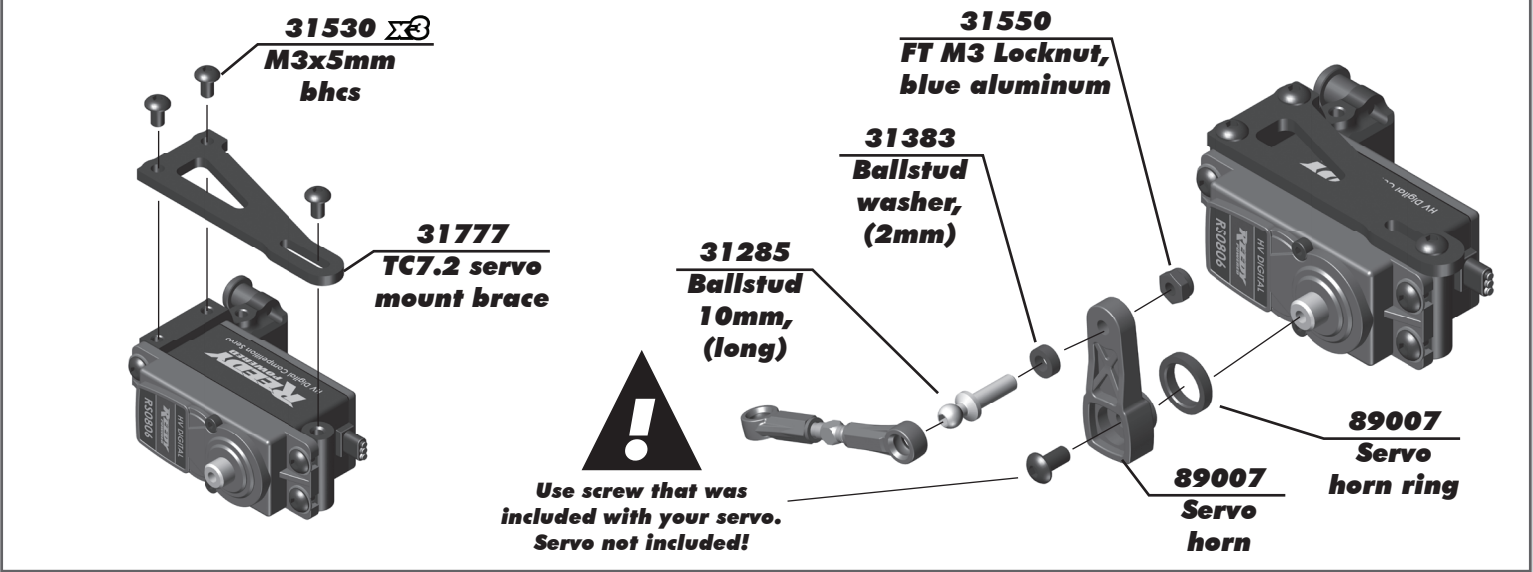
31511 $\Sigma 2$
M2x5mm shcs

31701 $\Sigma 2$
TC7 anti-roll bar mount

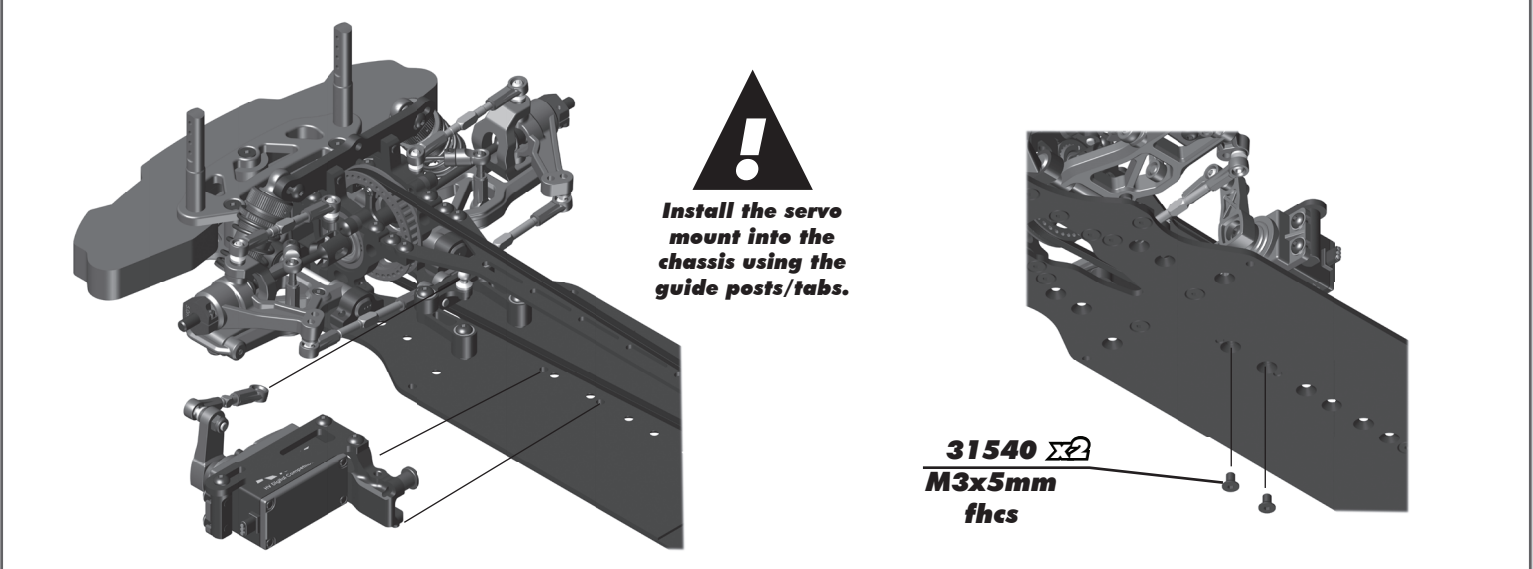
:: Bumper, Anti-Roll Bar, and Electronics Build - Bag 8 - Step 8



:: Bumper, Anti-Roll Bar, and Electronics Build - Bag 8 - Step 9



:: Bumper, Anti-Roll Bar, and Electronics Build - Bag 8 - Step 10



:: Bumper, Anti-Roll Bar, and Electronics Build - Bag 8 - Step 11



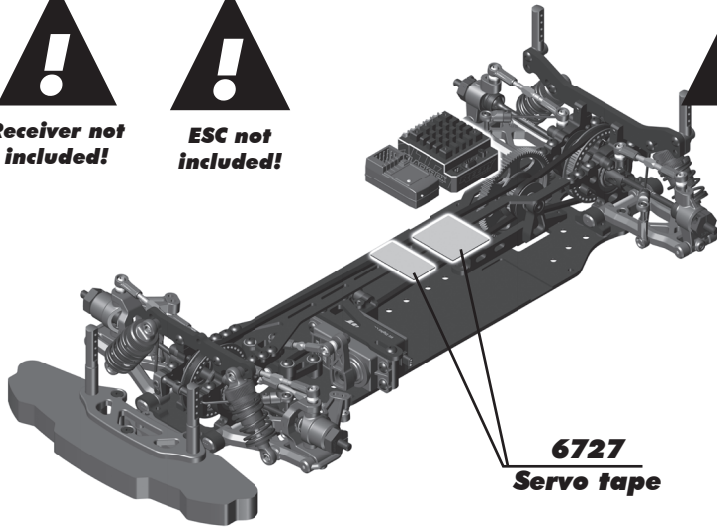
Receiver not included!



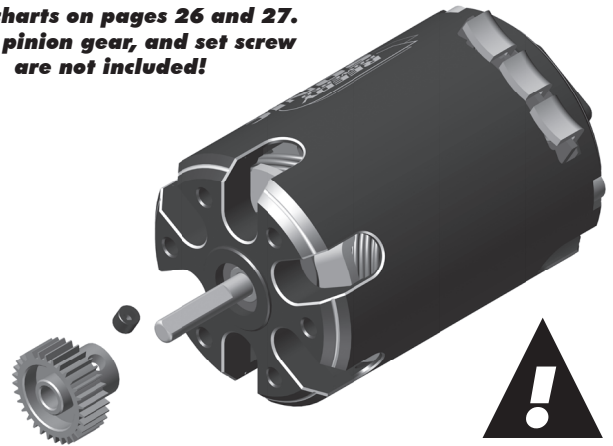
ESC not included!



Gearing will depend on the motor and track size. Gear charts on pages 26 and 27. Motor, pinion gear, and set screw are not included!



6727
Servo tape



Motor not included!

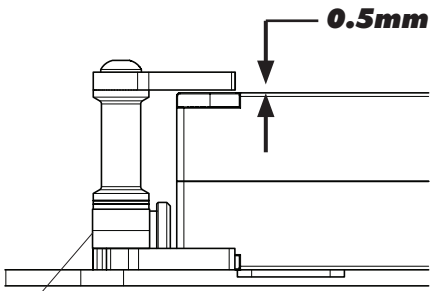
:: Battery Stop, Final Build - Bag 9 - Step 1

- 31382** $\Sigma 2$
Ballstud washer, (1mm)
- 31532** $\Sigma 2$
M3x8mm fhcs
- 31384**
Bulkhead washer, (0.5 mm)
- 31385**
Bulkhead washer, (1.0 mm)
- 31386**
Bulkhead washer, (2.0 mm)
- 31795** $\Sigma 2$
TC7.2 battery stop
- 31778** $\Sigma 2$
TC7.2 battery tab
- 31798** $\Sigma 2$
TC7.2 battery lock, bottom
- 89229** $\Sigma 2$
Blue countersunk washer
- 31541** $\Sigma 2$
M3x6mm fhcs
- 25202** $\Sigma 2$
M3x10mm fhcs

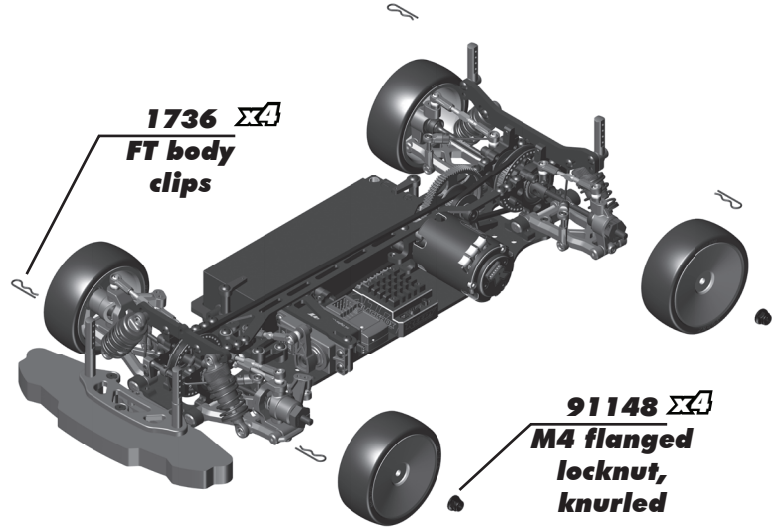
:: Battery Stop, Final Build - Bag 9 - Step 2

- 25201** $\Sigma 2$
M3x8mm fhcs
- 31531** $\Sigma 2$
M3x6mm fhcs
- 31798** $\Sigma 2$
TC7.2 battery lock, top

:: Battery Stop, Final Build - Bag 9 - Step 3



Use these shims to adjust the battery lock top height for 0.5mm clearance above the battery.



:: Tuning Tips

Tips for Beginners:

Before making any changes to the standard setup, make sure you can get around the track without crashing. Changes to your car will not be beneficial if you can't stay on the track. Your goal is consistent laps.

Once you can get around the track consistently, start tuning your car. Make only ONE adjustment at a time, testing it before making another change. If the result of your adjustment is a faster lap, mark the change on the included setup sheet (make additional copies of the sheet before writing on it). If your adjustment results in a slower lap, revert back to the previous setup and try another change. When you are satisfied with your car, fill in the setup sheet thoroughly. Use this as a guide for future racing.

Ride Height:

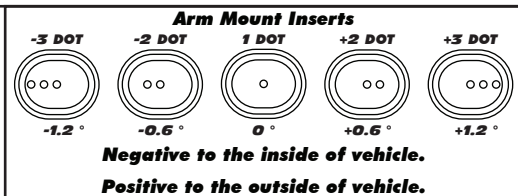
The standard starting point for ride height is 5.0mm (your local track may have minimum ride height requirements). You can slightly raise the rear relative to the front to give the car more steering. Raise the car slightly for tracks with large bumps.

Wheelbase:

Lengthening the front will reduce steering, shortening the front will increase steering. Shortening the rear will increase rear grip, lengthening the rear will decrease rear traction.

Rear Toe-In:

Standard rear toe-in angle for inner hinge pin when using same insert front and rear is 3°. Standard insert used is 1 dot. Rear toe-in can be adjusted by 0.6° increments at the inner hinge pin with supplied arm mount inserts (see chart to right).

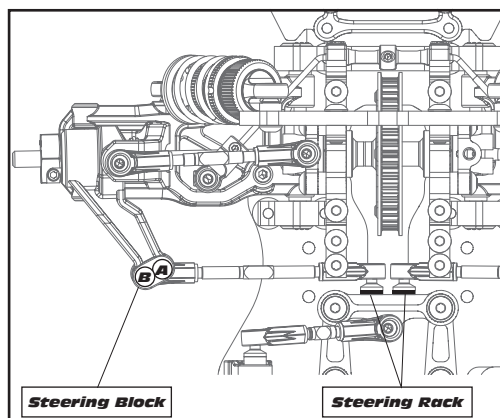


Ackermann:

Ackermann refers to the relative angle difference between the front wheels as they are turned to steer the car. The outside wheel will turn less than the inside wheel in most conditions. Settings with more Ackermann will have a bigger difference in wheel angle, causing the outside wheel to turn less. Likewise, settings with less Ackermann will cause the outside wheel to turn more.

Increasing the Ackermann will smooth out the steering and is used most often on high traction surfaces such as carpet. This is a result of the reduced outside wheel angle. Settings with reduced Ackermann will help to increase corner entry steering, and are typically used when running a spool in the front.

The chart to the right lists the different Ackermann options.



Steering Block Position	Steering Rack Shims	Ackermann
B	2mm	Less Ackermann ↑
B	1mm	STD
B	0mm	More Ackermann ↓
A	2mm	
A	1mm	
A	0mm	

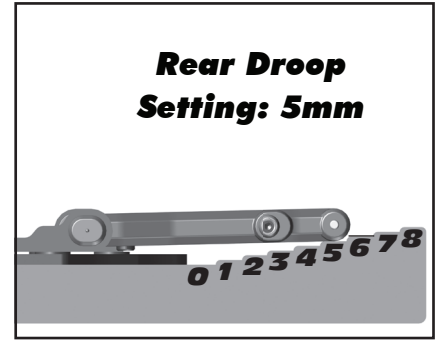
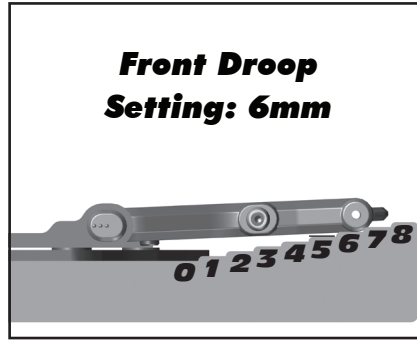
:: Tuning Tips

Droop:

The standard settings of 6mm front and 5mm rear will work best in most cases. Droop is measured just underneath the outer hinge pin as shown in the photos to the right.

On bumpy or low grip surfaces, increase the droop (going to a lower number on the droop gauge), this will help increase traction and consistency.

Droop adjustments of 0.5mm to 1mm can be very effective on the track!



Anti-Roll Bar:

Anti-roll bars are only effective during roll (when the chassis leans from side to side when cornering). Because of this they isolate a change in the suspensions spring rate in the corners only, and can be a very useful tuning option.

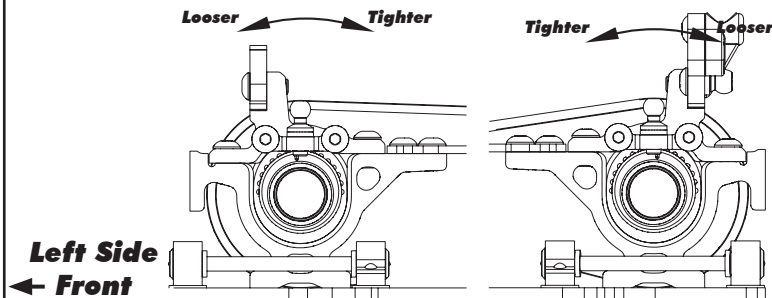
Anti-roll bars stiffen the spring rate of the suspension during roll movements when cornering. The larger the roll bar wire, the stiffer the spring rate will be in roll. The chart on the right shows the available anti-roll bar sizes (as well as their corresponding colors) from the softest on the top, to the stiffest on the bottom.

Anti Roll Bar Color/Size Chart	
Green	1.1mm
White	1.2mm
Gray	1.3mm
Blue	1.4mm
Yellow	1.5mm

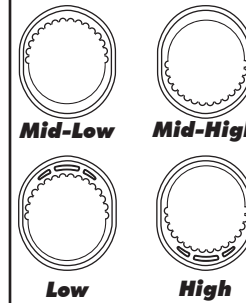
The standard setup with a blue front anti-roll bar (1.4mm) and a white rear anti-roll bar (1.2mm), is a balanced starting point. Changing the size of the front or rear anti-roll bars can help to make the chassis more consistent through the corner. Decreasing the size of the front anti-roll bars will help to increase mid-corner steering, but will tend to be less stable in sweepers. This is a typical setup for smaller tracks with tighter turns. Increasing the size of the front anti-roll bars will give more stability in the sweepers, and is better for larger tracks with high speed corners. Increasing the size of the rear anti-roll bars will help add stability into and through the corner in high traction conditions, but can make the car inconsistent in low traction, or bumpy, surfaces.

Belt Tension:

When altering the differential height, you will need to adjust the tension of the belt. The following chart shows suggested starting positions.



Cam Position



Belt Tension Number



Front	Height	Pos.
	High	31
	Mid-High	28
	Mid	8
Low	5	
Rear	Height	Pos.
	High	18
	Mid-High	20
	Mid	7
Low	9	

Note! Charts show left side cam positions from the left side of the car. Match right side cam position to left side cam position.

Motor Gearing:

The gear charts on the following page show final drive ratio numbers for the TC7.2. Refer to motor manufacturer's suggested gear ratio for starting point. You may need to adjust the gearing according to your track size.

The following formula's can also be helpful in determining final drive ratios and pinion size.

$$TC7.2 \text{ Internal Ratio} = 2.0$$

$$\text{Final Drive Ratio} = \frac{\text{\# of Teeth Spur} \times \text{(Internal Ratio)}}{\text{\# of Teeth on Pinion}}$$

$$\text{\# of Teeth on Pinion} = \frac{\text{\# of Teeth on Spur} \times \text{(Internal Ratio)}}{\text{Final Drive Ratio}}$$

:: Gear Chart 48 Pitch



Blank spaces in the gear charts designates a gear ratio that will not fit in the vehicle. Gear fitment will also depend on the motor brand.

Spur Gear Teeth (48 Pitch)

Pinion teeth (48 Pitch)	77	78	79	80	81	82	83	84	85	86	87
15	--	--	--	--	--	--	--	--	--	--	11.60
16	--	--	--	--	--	--	--	--	--	10.75	10.88
17	--	--	--	--	--	--	--	--	10.00	10.12	10.24
18	--	--	--	--	--	--	--	9.33	9.44	9.56	9.67
19	--	--	--	--	--	8.20	8.74	8.84	8.95	9.05	9.16
20	--	--	--	--	--	7.71	8.30	8.40	8.50	8.60	8.70
21	--	--	--	7.27	7.36	7.45	7.90	8.00	8.10	8.19	8.29
22	--	--	6.87	6.96	7.04	7.13	7.55	7.64	7.73	7.82	7.91
23	--	--	6.50	6.58	6.67	6.83	7.22	7.30	7.39	7.48	7.57
24	--	6.16	6.24	6.32	6.40	6.56	6.92	7.00	7.08	7.17	7.25
25	6.16	6.00	6.08	6.15	6.23	6.31	6.64	6.72	6.80	6.88	6.96
26	5.92	5.78	5.85	5.93	6.00	6.07	6.38	6.46	6.54	6.62	6.69
27	5.70	5.57	5.64	5.71	5.79	5.86	6.15	6.22	6.30	6.37	6.44
28	5.50	5.38	5.45	5.52	5.59	5.66	5.93	6.00	6.07	6.14	6.21
29	5.31	5.20	5.27	5.33	5.40	5.47	5.72	5.79	5.86	5.93	--
30	5.13	5.03	5.10	5.16	5.23	5.29	5.53	5.60	5.67	--	--
31	4.97	4.88	4.94	5.00	5.06	5.13	5.35	5.42	--	--	--
32	4.81	4.73	4.79	4.85	4.91	4.97	5.19	--	--	--	--
33	4.67	4.59	4.65	4.71	4.76	--	--	--	--	--	--
34	4.53	4.46	4.51	4.57	--	--	--	--	--	--	--
35	4.40	4.33	4.39	--	--	--	--	--	--	--	--
36	4.28	4.22	--	--	--	--	--	--	--	--	--
37	4.16	--	--	--	--	--	--	--	--	--	--
38	4.05	--	--	--	--	--	--	--	--	--	--

Advanced Timing Stock Brushless and Modified Brushless

Spur Gear Teeth (48 Pitch)

Pinion teeth (48 Pitch)	66	67	68	69	70	71	72	73	74	75	76
26	--	--	--	--	--	--	--	--	--	--	5.85
27	--	--	--	--	--	--	--	--	--	5.56	5.63
28	--	--	--	--	--	--	--	--	5.29	5.36	5.43
29	--	--	--	--	--	--	4.80	5.03	5.10	5.17	5.24
30	--	--	--	--	--	4.58	4.65	4.87	4.93	5.00	5.07
31	--	--	--	--	4.38	4.44	4.50	4.71	4.77	4.84	4.90
32	--	--	--	4.18	4.24	4.30	4.36	4.56	4.63	4.69	4.75
33	--	--	4.00	4.06	4.12	4.18	4.24	4.42	4.48	4.55	4.61
34	--	3.83	3.89	3.94	4.00	4.06	4.11	4.29	4.35	4.41	4.47
35	--	--	3.78	3.83	3.89	3.94	4.00	4.17	4.23	4.29	4.34
36	3.67	3.72	3.78	3.83	3.89	3.94	4.00	4.06	4.11	4.17	4.22
37	3.57	3.62	3.68	3.73	3.78	3.84	3.89	3.95	4.00	4.05	4.11
38	3.47	3.53	3.58	3.63	3.68	3.74	3.79	3.84	3.89	3.95	4.00
39	3.38	3.44	3.49	3.54	3.59	3.64	3.69	3.74	3.79	3.85	3.90
40	3.30	3.35	3.40	3.45	3.50	3.55	3.60	3.65	3.70	3.75	--
41	3.22	3.27	3.32	3.37	3.41	3.46	3.51	3.56	3.61	--	--
42	3.14	3.19	3.24	3.29	3.33	3.38	3.43	3.48	--	--	--
43	3.07	3.12	3.16	3.21	3.26	3.30	3.35	--	--	--	--
44	3.00	3.05	3.09	3.14	3.18	3.23	--	--	--	--	--
45	2.93	2.98	3.02	3.07	3.11	--	--	--	--	--	--
46	2.87	2.91	2.96	3.00	--	--	--	--	--	--	--
47	2.81	2.85	2.89	--	--	--	--	--	--	--	--
48	2.75	--	--	--	--	--	--	--	--	--	--

Non-Timing Stock Brushless

:: Gear Chart 64 Pitch



Blank spaces in the gear charts designates a gear ratio that will not fit in the vehicle. Gear fitment will also depend on the motor brand.

Spur Gear Teeth (64 Pitch)

Pinion teeth (64 Pitch)	102	103	104	105	106	107	108	109	110	111	112	113	114	115
19														12.11
20													11.40	11.50
21												10.76	10.86	10.95
22											10.18	10.27	10.36	10.45
23									9.17	9.65	9.74	9.83	9.91	10.00
24								8.72	8.80	8.88	8.96	9.04	9.12	9.20
25							8.31	8.38	8.46	8.54	8.62	8.69	8.77	8.85
26							7.93	8.00	8.15	8.22	8.30	8.37	8.44	8.52
27					7.57	7.64	7.71	7.79	7.86	7.93	8.00	8.07	8.14	8.21
28					7.24	7.31	7.38	7.45	7.52	7.59	7.66	7.72	7.79	7.86
29				6.93	7.00	7.07	7.13	7.20	7.27	7.33	7.40	7.47	7.53	7.60
30				6.65	6.71	6.77	6.84	6.90	6.97	7.03	7.10	7.16	7.23	7.29
31				6.38	6.44	6.50	6.56	6.63	6.69	6.75	6.81	6.88	6.94	7.00
32				6.18	6.24	6.30	6.36	6.42	6.48	6.55	6.61	6.67	6.73	6.79
33				6.00	6.06	6.12	6.18	6.24	6.29	6.35	6.41	6.47	6.53	6.59
34				5.83	5.89	5.94	6.00	6.06	6.11	6.17	6.23	6.29	6.34	6.40
35				5.67	5.72	5.78	5.83	5.89	5.94	6.00	6.06	6.11	6.17	6.23
36				5.51	5.57	5.62	5.68	5.73	5.78	5.84	5.89	5.95	6.00	6.05
37				5.37	5.42	5.47	5.53	5.58	5.63	5.68	5.74	5.79	5.84	5.89
38				5.23	5.28	5.33	5.38	5.44	5.49	5.54	5.59	5.64	5.69	5.74
39				5.10	5.15	5.20	5.25	5.30	5.35	5.40	5.45	5.50	5.55	5.60
40				4.98	5.02	5.07	5.12	5.17	5.22	5.27	5.32	5.37	5.41	5.46
41				4.86	4.90	4.95	5.00	5.05	5.10	5.14	5.19	5.24	5.29	5.33
42				4.74	4.79	4.84	4.88	4.93	4.98	5.02	5.07	5.12	5.16	
43				4.64	4.68	4.73	4.77	4.82	4.86	4.91	4.95	5.00		
44				4.53	4.58	4.62	4.67	4.71	4.76	4.80	4.84			
45				4.43	4.48	4.52	4.57	4.61	4.65	4.70				
46				4.34	4.38	4.43	4.47	4.51	4.55					
47				4.25	4.29	4.33	4.38	4.42						
48				4.16	4.20	4.24	4.29							
49				4.08	4.12	4.16								
50				4.00	4.04									
51				3.92										

Advanced Timing Stock Brushless and Modified Brushless

Spur Gear Teeth (64 Pitch)

Pinion teeth (64 Pitch)	88	89	90	91	92	93	94	95	96	97	98	99	100	101
34														5.94
35													5.71	5.77
36												5.50	5.56	5.61
37											5.16	5.21	5.26	5.32
38										5.11	5.16	5.21	5.26	5.32
39									4.92	4.97	5.03	5.08	5.13	5.18
40								4.75	4.80	4.85	4.90	4.95	5.00	5.05
41							4.59	4.63	4.68	4.73	4.78	4.83	4.88	4.93
42							4.43	4.48	4.52	4.57	4.62	4.67	4.71	4.76
43							4.28	4.33	4.37	4.42	4.47	4.51	4.56	4.60
44							4.18	4.23	4.27	4.32	4.36	4.41	4.45	4.50
45							4.14	4.18	4.22	4.27	4.31	4.36	4.40	4.44
46							4.00	4.04	4.09	4.13	4.17	4.22	4.26	4.30
47							3.91	3.96	4.00	4.04	4.09	4.13	4.17	4.21
48							3.83	3.87	3.91	3.96	4.00	4.04	4.08	4.12
49							3.75	3.79	3.83	3.88	3.92	3.96	4.00	4.04
50							3.67	3.71	3.76	3.80	3.84	3.88	3.92	3.96
51							3.59	3.63	3.68	3.72	3.76	3.80	3.84	3.88
52							3.49	3.53	3.58	3.62	3.66	3.70	3.74	3.78
53							3.42	3.46	3.50	3.54	3.58	3.62	3.66	3.70
54							3.32	3.36	3.40	3.44	3.48	3.52	3.56	3.60
55							3.26	3.30	3.33	3.37	3.41	3.45	3.49	3.53
56							3.20	3.24	3.27	3.31	3.35	3.39	3.43	3.47
57							3.14	3.18	3.21	3.25	3.29	3.33	3.37	3.41
58							3.09	3.12	3.16	3.19	3.23	3.27	3.31	3.34
59							3.03	3.07	3.10	3.14	3.17	3.21	3.24	3.28
60							2.98	3.02	3.05	3.08	3.12	3.15	3.19	3.22
61							2.93	2.97	3.00	3.03	3.07	3.10	3.13	3.17
62							2.89	2.92	2.95	2.98	3.02	3.05	3.08	3.11
63							2.84	2.87	2.90	2.94	2.97	3.00	3.03	3.06
64							2.79	2.83	2.86	2.89	2.92	2.95	2.98	3.01
65							2.75	2.78	2.81	2.84	2.87	2.90	2.93	2.96
66							2.71	2.74	2.77	2.80	2.83	2.86	2.89	2.92
67							2.67	2.70	2.73	2.76	2.79	2.82	2.85	2.88

Non-Timing Stock Brushless

:: Shocks

4637	FT Pivot Balls	8
5407	Red O-Rings	8
31510	M2 x 4mm BHCS	10
31745	TC7.1 Shock Body (Fox Kashima Coat)	2
31746	TC7.1 Shock Shaft	2
31752	TC7.1 Shock Rebuild Kit	1
31753	TC7.1 Shock Bottom Cap	2
31756	TC7.1 Shock Cap Retainer	2
31757	TC7.1 Shock Eyelet Set	2
31758	TC7.1 Shock Collar	2
31759	TC7.1 Shock Spring Cup	2
31760	TC7.1 Shock Kit (Fox Kashima Coat)	2
89278	Washers, M2.6 x 6mm	20

:: Springs

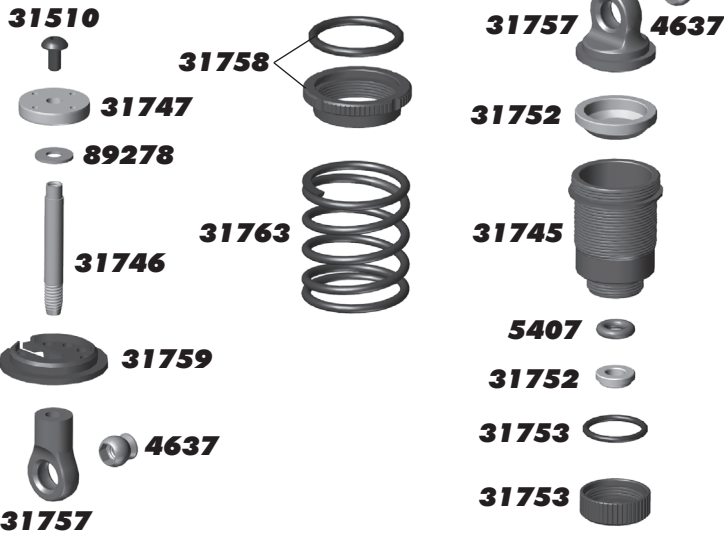
31761	TC 20.5mm Spring (White), 13.8lbs	Pr.
31762	TC 20.5mm Spring, (Gray), 14.8lbs	Pr.
31763	TC 20.5mm Spring, (Blue), 15.8lbs - Kit	Pr.
31764	TC 20.5mm Spring, (Yellow), 16.8lbs	Pr.

:: Pistons

31747	TC7.1 Shock Piston (4x1.1)	4
31748	FT TC7.1 Shock Piston (4x1.1G)	4

:: FT Parts

31751	PSD (Position Sensitive Damping) shock system	Pr.	31756
91493	FT Low Friction X-Rings	8	



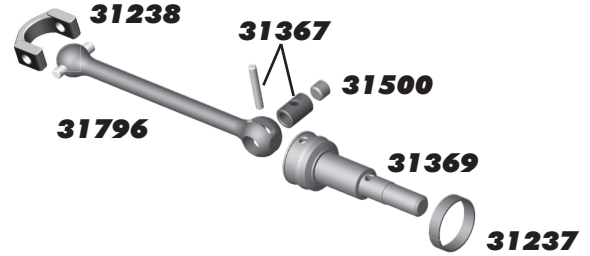
:: Shock Fluid

5420	10 Weight Silicone Shock Fluid	2oz.
5421	20 Weight Silicone Shock Fluid	2oz.
5422	30 Weight Silicone Shock Fluid	2oz.
5423	40 Weight Silicone Shock Fluid	2oz.
5424	22.5 Weight Silicone Shock Fluid	2oz.
5425	80 Weight Silicone Shock Fluid	2oz.
5426	27.5 Weight Silicone Shock Fluid	2oz.
5427	15 Weight Silicone Shock Fluid	2oz.
5428	25 Weight Silicone Shock Fluid	2oz.
5429	35 Weight Silicone Shock Fluid	2oz.
5430	45 Weight Silicone Shock Fluid	2oz.
5431	55 Weight Silicone Shock Fluid	2oz.
5432	32.5 Weight Silicone Shock Fluid	2oz.
5433	37.5 Weight Silicone Shock Fluid	2oz.
5434	42.5 Weight Silicone Shock Fluid	2oz.
5435	50 Weight Silicone Shock Fluid	2oz.
5436	60 Weight Silicone Shock Fluid	2oz.
5437	70 Weight Silicone Shock Fluid	2oz.
5438	47.5 Weight Silicone Shock Fluid	2oz.



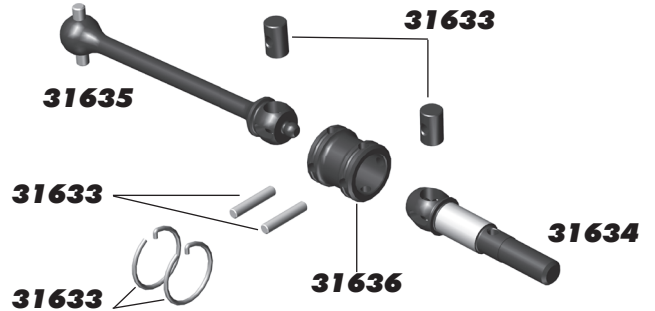
:: CVAs

31237	CVA Pin Retaining Clip	2
31238	CVA Bone Blade	8
31367	TC6.1 CVA Rebuild Kit	1
31369	TC6.1 Stub Axle	Pr.
31500	M3 x 2.5mm Set Screw	6
31796	TC7.2 CVA Bone	Pr.



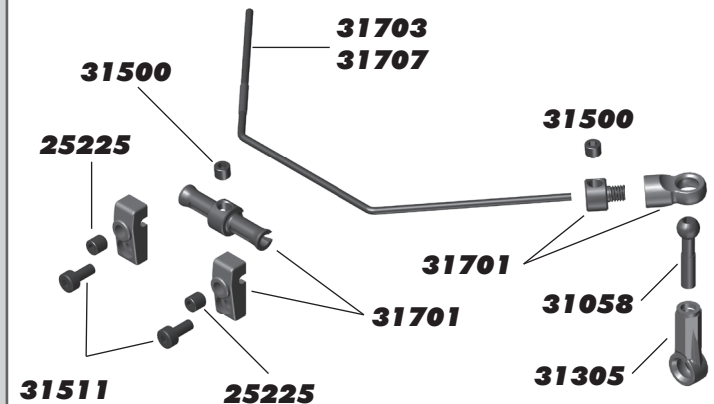
:: DCVs

31632	DCV Kit	Pr.
31633	DCV Rebuild Kit	1
31634	DCV Stub Axles	2
31635	DCV Bones	2
31636	DCV Coupler Tubes	2



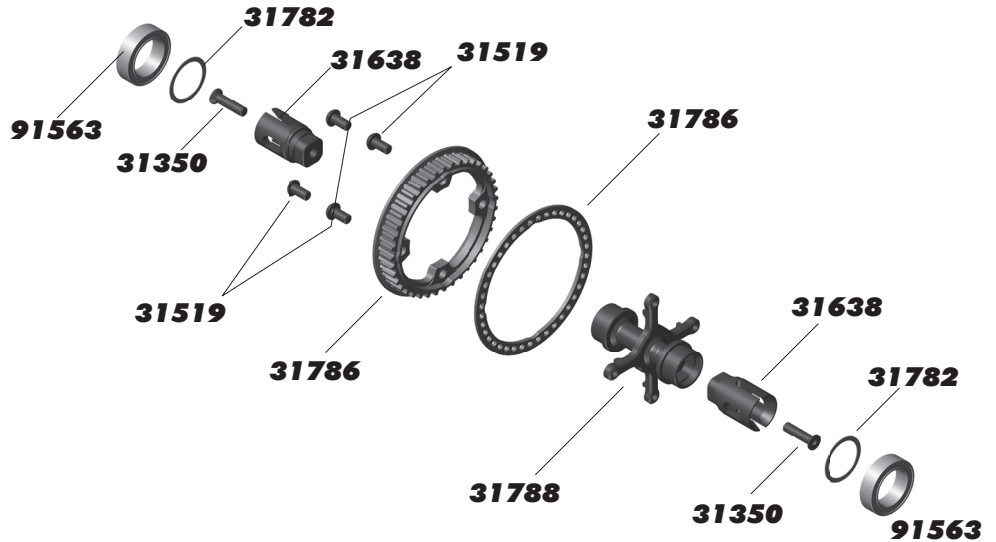
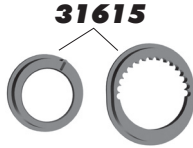
:: Anti-Roll Bars

25225	M3 x 3mm Set Screw	10
31058	Roll Bar Ballstuds, blue	2
31305	Turnbuckle Eyelets	14
31500	M3 x 2.5mm Set Screw	10
31511	M2 x 5mm SHCS	10
31701	TC7 Anti-Roll Bar Mount Set	1
31703	TC7 Front Anti-Roll Bar, 1.3mm (gray), 1.4mm (blue), 1.5mm (yellow)	1 ea.
31707	TC7 Rear Anti-Roll Bar, 1.1mm (green), 1.2mm (white), 1.3mm (gray)	1 ea.



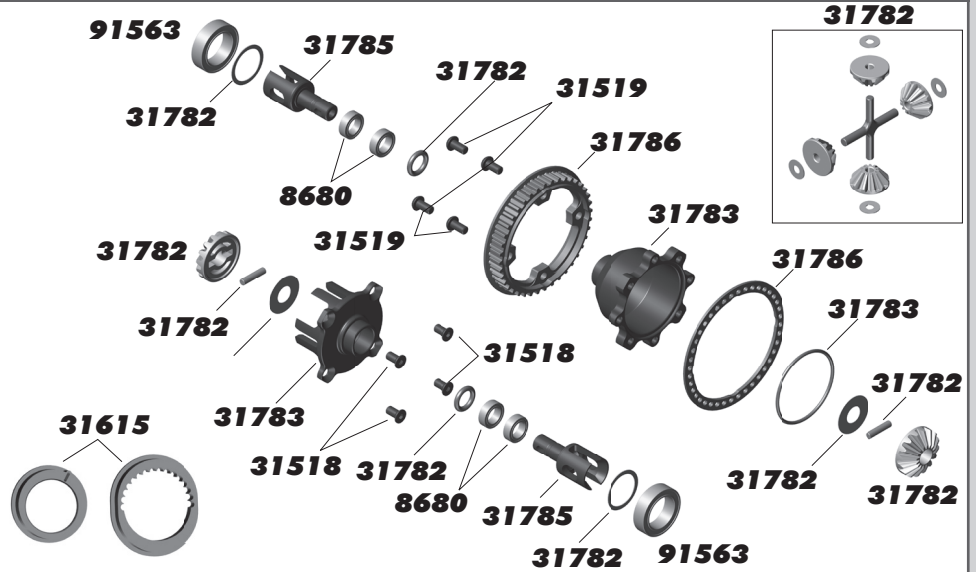
:: Front Spool

31350	M2.5 x 10mm FHCS	6
31519	M2.5 x 5mm BHCS	10
31615	TC6.2 Diff Bearing Cam Set	1
31638	Spool Outdrives, Steel	2
31782	TC7.2 Diff Rebuild Kit	1
31786	TC7.2 Diff Pulley	1
31788	TC7.2 Spool Hub	1
91563	FT Bearing 10 x 15 x 4mm	4



:: Rear Gear Differential

5450	Silicone Diff Fluid 1,000CST	1
5451	Silicone Diff Fluid 2,000CST	1
5452	Silicone Diff Fluid 3,000CST - Kit	1
5444	Silicone Diff Fluid 4,000CST	1
5453	Silicone Diff Fluid 5,000CST	1
5446	Silicone Diff Fluid 6,000CST	1
5454	Silicone Diff Fluid 7,000CST	1
5465	Silicone Diff Fluid 1,000,000CST	1
8680	FT Bearing 5 x 8 x 2.5mm	4
31518	M2.5 x 4mm FHCS	10
31615	TC6.2 Diff Bearing Cam Set	1
31782	TC7.2 Diff Rebuild Kit	1
31783	TC7.2 Diff Case	1
31785	TC7.2 Diff Outdrive	2
31786	TC7.2 Diff Pulley	1
91563	FT Bearing 10 x 15 x 4mm	4

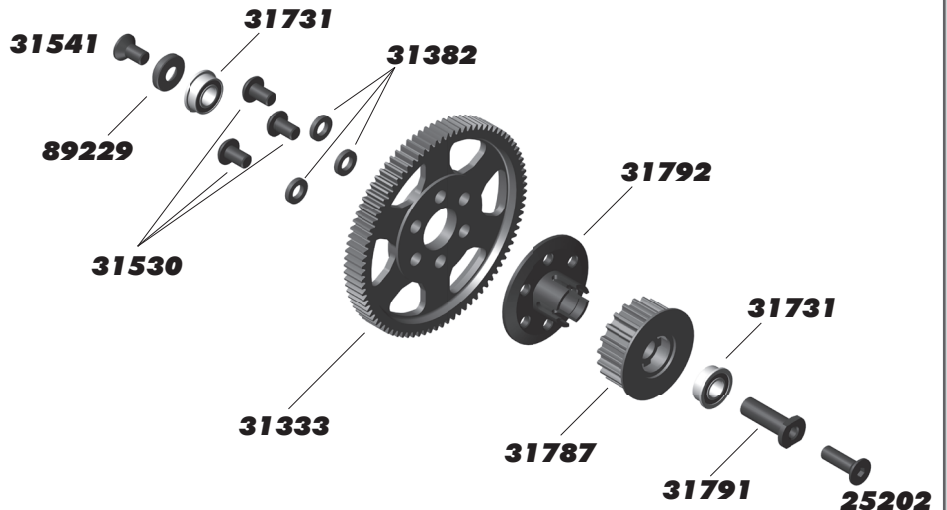


:: Spur Gear Assembly

25202	M3 x 10mm FHCS	20
31382	Ballstud Washer 5.5x1.0mm	10
31530	M3 x 5mm BHCS	10
31541	M3 x 6mm FHCS	10
31731	FT 4x8x3mm Flanged Bearing	4
31787	TC7.2 Spur Pulley & Diff X-Pin	1
31791	TC7.2 Spur Gear Shaft	1
31792	TC7.2 Spur Gear Hub	1
89229	Blue Countersunk Washers	10

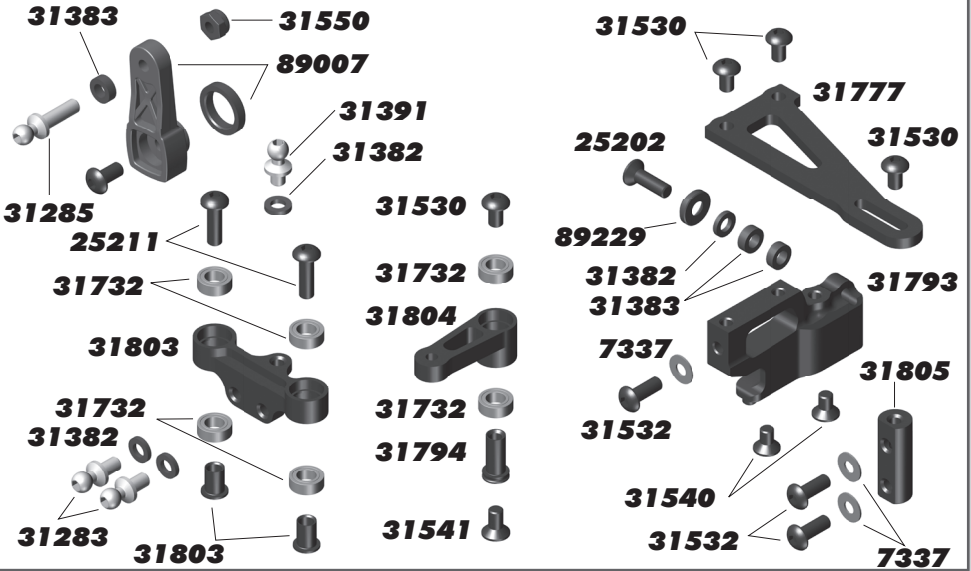
:: Spur Gears

3921	Spur Gear (69T/48P)	1
3922	Spur Gear (72T/48P)	1
3923	Spur Gear (75T/48P)	1
3924	Spur Gear (66T/48P)	1
3994	Spur Gear (73T/48P)	1
4462	Spur Gear (100T/64P)	1
4615	Spur Gear (96T/64P)	1
31332	Spur Gear (80T/48P)	1
31333	Spur Gear (87T/48P)	1
31334	Spur Gear (106T/64P)	1
31335	Spur Gear (115T/64P)	1



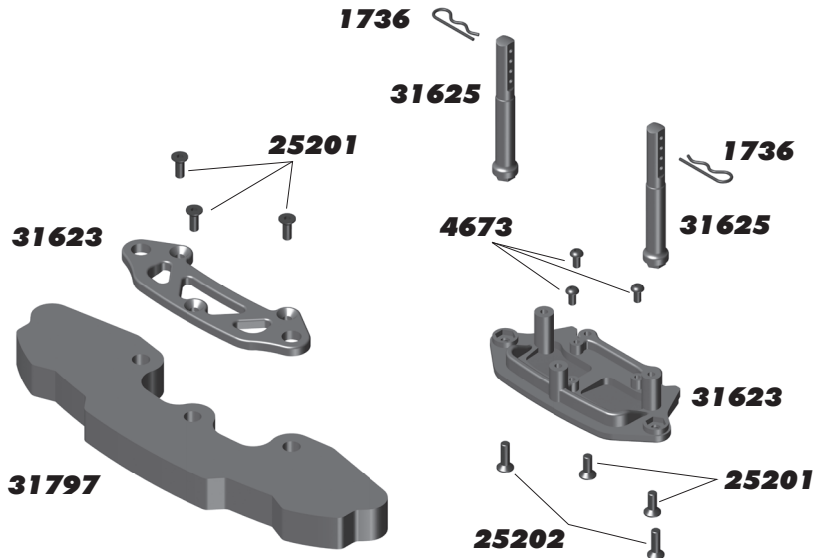
:: Steering Bellcrank and Servo Mounts

7337	.250" x.125" x.015" Washer	4
25202	M3 x 10mm FHCS	10
25211	M3 x 10mm BHCS	10
31283	5mm Ballstud, long	10
31285	Ballstuds, long, 10mm	10
31382	Ballstud Washer 5.5 x 1.0mm	10
31383	Ballstud Washer 5.5 x 2.0mm	10
31530	M3 x 5mm BHCS	10
31532	M3 x 8mm BHCS	10
31540	M3x5mm FHCS	10
31541	M3 x 6mm FHCS	10
31550	FT M3 Locknut, blue aluminum	6
31732	FT 4x7x2.5mm Bearing	4
31777	TC7.2 Servo Mount Brace	1
31793	TC7.2 Servo Mount	1
31794	TC7.2 Steering Bellcrank Post	2
31803	TC7.2 Steering Rack	1
31804	TC7.2 Steering Bellcrank	2
31805	TC7.2 Servo Mount (outer)	1
89007	Steering Servo Horn & Ring	1
89229	Blue Countersunk Washers	10



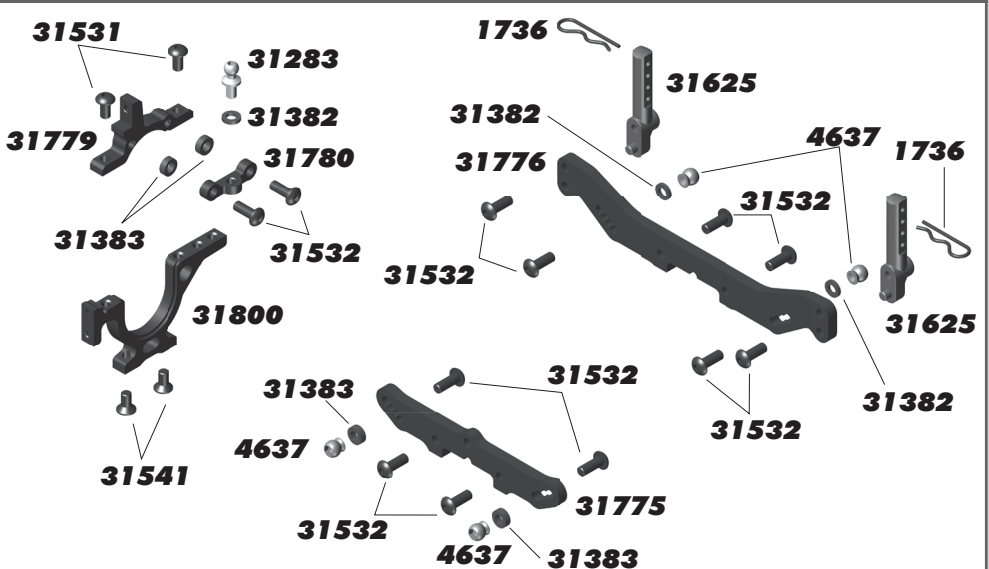
:: Front Bumper

1736	FT Body Clips, short	6
4673	M2.5 x 4mm BHCS	10
25201	M3 x 8mm FHCS	10
25202	M3 x 10mm FHCS	10
31623	TC6.2 Bumper Set	1
31625	TC6.2 Body Post Set	1
31797	TC7.2 Foam Bumper	1



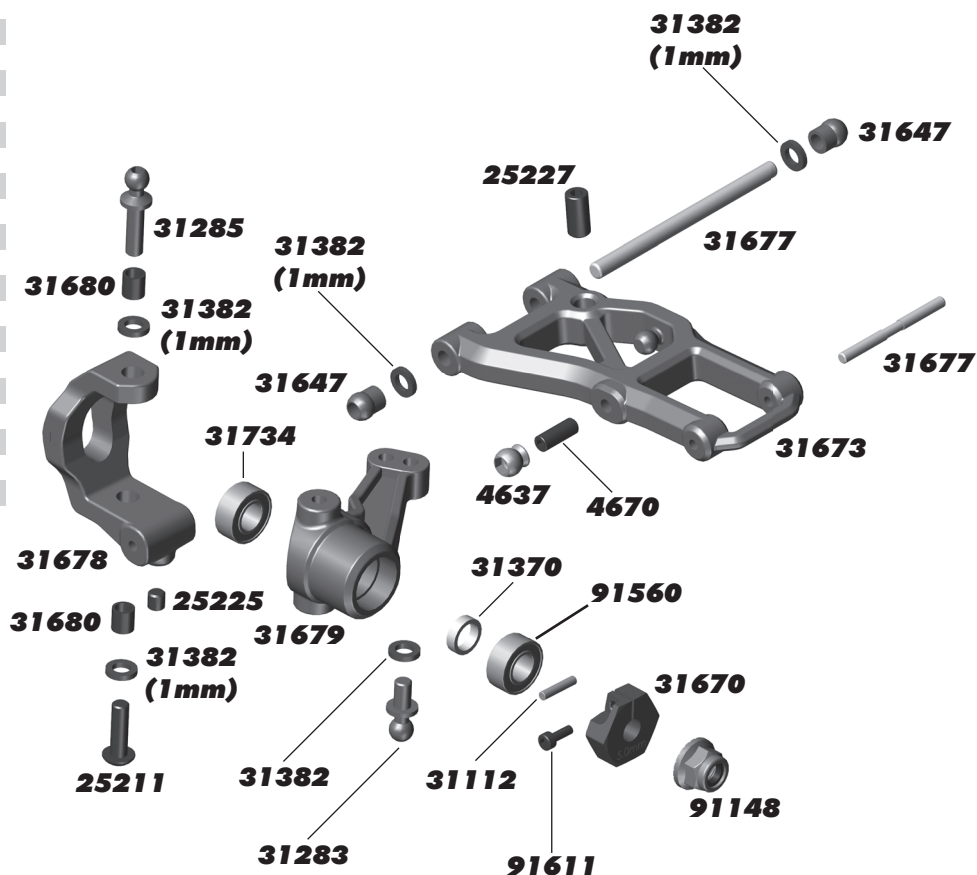
:: Front and Rear Shock Towers

1736	FT Body Clips, short	6
4637	FT Pivot Balls	8
31283	Ballstuds, long, 5mm	10
31382	Ballstud Washer 5.5 x 1.0mm	10
31383	Ballstud Washer 5.5 x 2.0mm	10
31531	M3 x 6mm BHCS	10
31532	M3 x 8mm BHCS	10
31541	M3 x 6mm FHCS	10
31625	TC6.2 Body Post Set	1
31775	TC7.2 Shock Tower, Front	1
31776	TC7.2 Shock Tower, Rear	1
31779	TC7.2 Bearing Cap	2
31780	TC7.2 Camber Link Mount	2
31800	TC7.2 Bulkhead	2



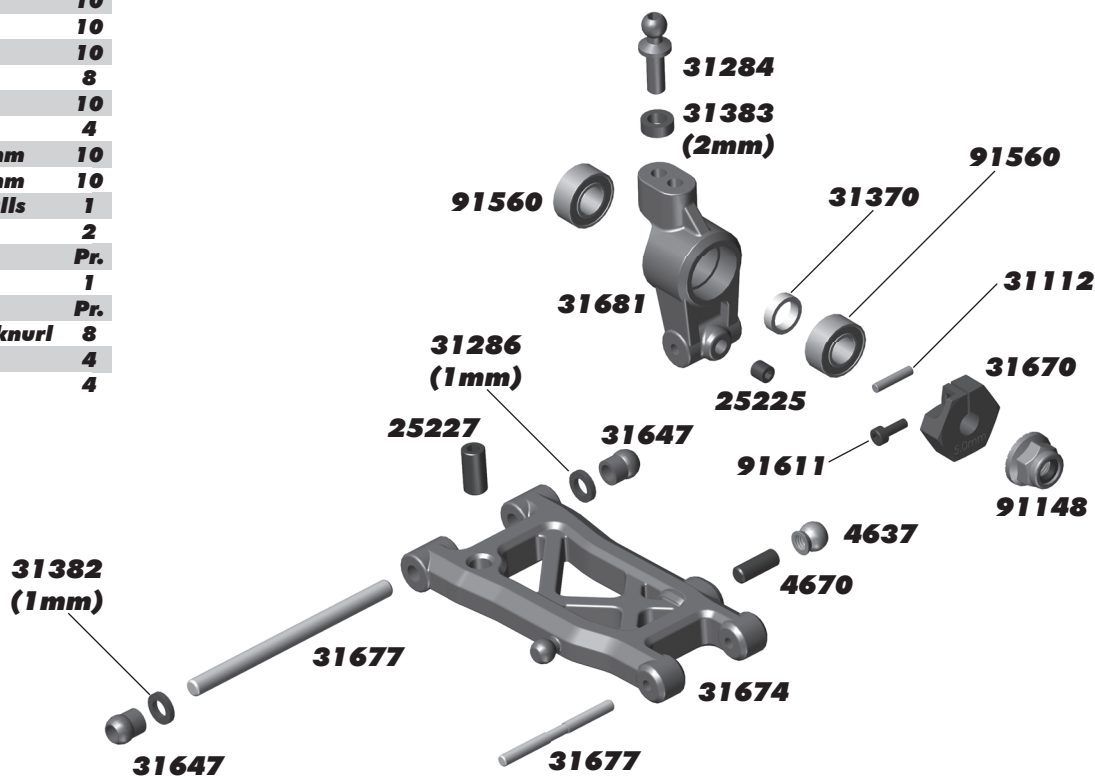
:: Front Bulkhead

4637	FT Pivot Balls	8
4670	M3 x 8mm Set Screw	10
25211	M3 x 10mm BHCS	10
25225	M3 x 3mm Set Screw	10
25227	M4 x 8mm Setscrew	10
31112	1/16" x 5/16" Dowel Pins	8
31283	Ballstuds, long, 5mm	10
31285	Ballstuds, long, 10mm	10
31370	TC6.1 Axle Crush Tubes	4
31382	Ballstud Washer 5.5 x 1.0mm	10
31647	FT Steel Inner Hinge Pin Balls	1
31670	TC7 Wheel Hex, 5mm	2
31673	TC7 Front Suspension Arm	Pr.
31677	TC7 Hinge Pin Set	1
31678	TC7 Caster Block, 4 deg	Pr.
31679	TC7 Steering Block	Pr.
31680	TC7 King Pin Bushing	2
31734	FT Bearing 5 x 10 x 3mm	4
91148	M4 Locknut, w/flange and knurl	8
91560	FT Bearing 5 x 10 x 4mm	4
91611	M1.6 x 5mm SHCS	4



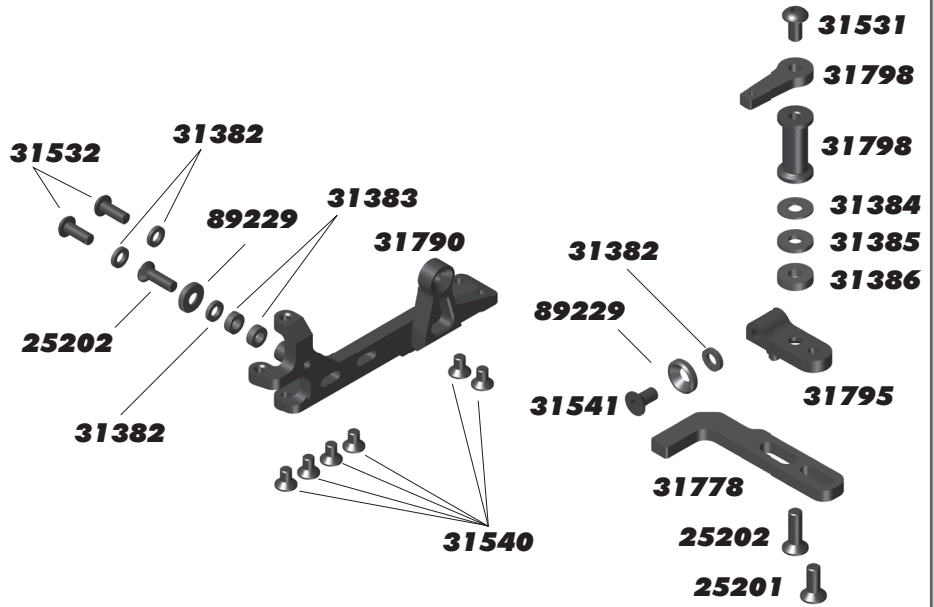
:: Rear Bulkhead

4637	FT Pivot Balls	8
4670	M3 x 8mm Set Screw	10
25225	M3 x 3mm Set Screw	10
25227	M4 x 8mm Setscrew	10
31112	1/16" x 5/16" Dowel Pins	8
31284	8mm Ballstud, long	10
31370	TC6.1 Axle Crush Tubes	4
31382	Ballstud Washer 5.5 x 1.0mm	10
31383	Ballstud Washer 5.5 x 2.0mm	10
31647	FT Steel Inner Hinge Pin Balls	1
31670	TC7 Wheel Hex, 5mm	2
31674	TC7 Rear Suspension Arm	Pr.
31677	TC7 Hinge Pin Set	1
31681	TC7 Hub, 0 deg.	Pr.
91148	M4 Locknut, w/flange and knurl	8
91560	FT Bearing 5 x 10 x 4mm	4
91611	M1.6 x 5mm SHCS	4



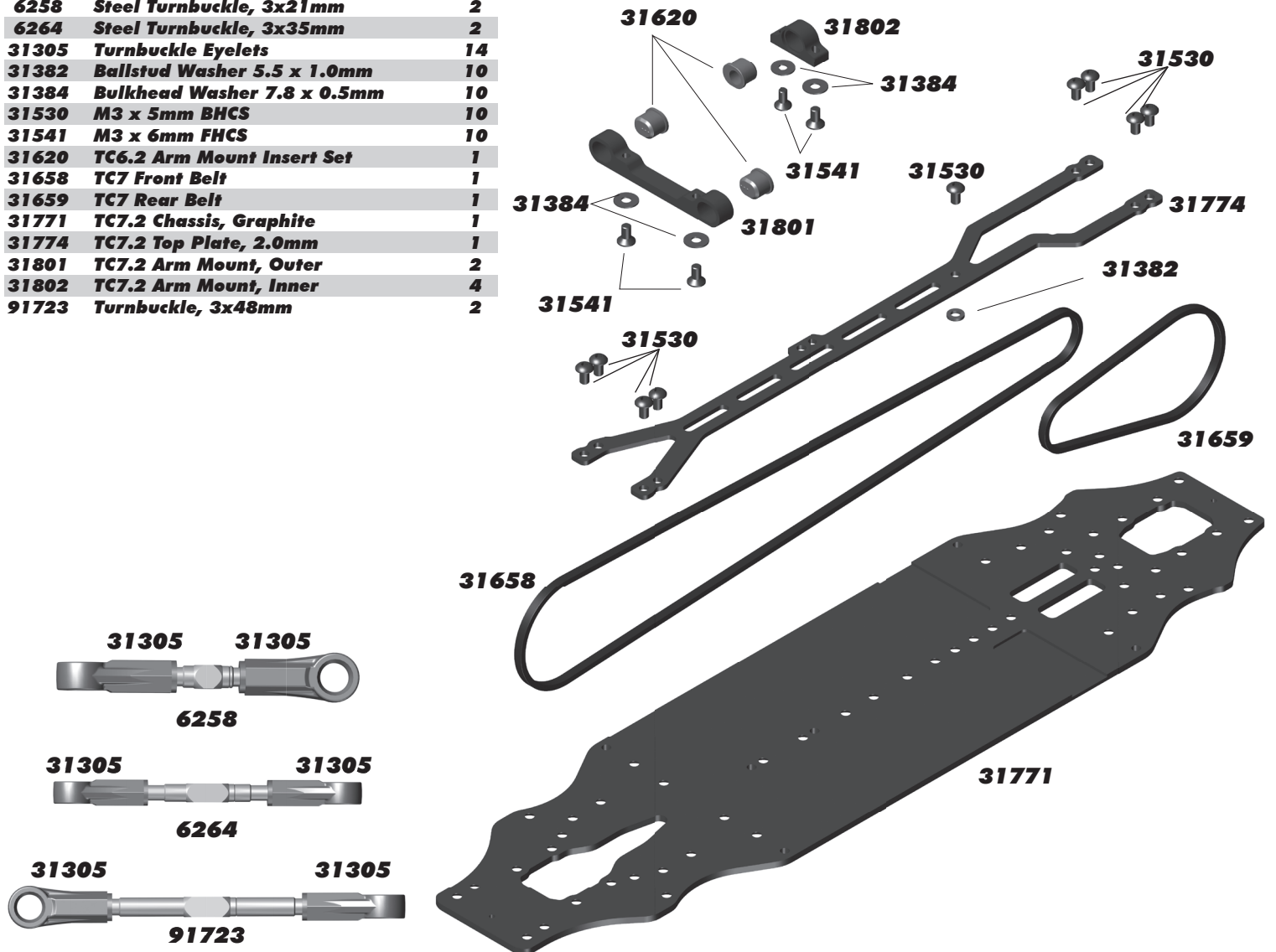
:: Motor Mount / Battery Mount

25201	M3x8mm FHCS	10
25202	M3x10mm FHCS	10
31382	Ballstud Washer 5.5 x 1.0mm	10
31383	Ballstud Washer 5.5 x 2.0mm	10
31384	Bulkhead Washer 7.8 x 0.5mm	10
31385	Bulkhead Washer 7.8 x 1.0mm	10
31386	Bulkhead Washer 7.8 x 2.0mm	10
31531	M3x6mm BHCS	10
31532	M3x8mm BHCS	10
31540	M3x5mm FHCS	10
31541	M3x6mm FHCS	10
31778	TC7.2 Battery Tab	1
31790	TC7.2 Motor Mount	1
31795	TC7.2 Battery Stop	2
31798	TC7.2 Battery Lock Set	1
89229	Blue Countersunk Washers	10



:: Chassis / Top Plate / Belts / Turnbuckles / Arm Mounts

6258	Steel Turnbuckle, 3x21mm	2
6264	Steel Turnbuckle, 3x35mm	2
31305	Turnbuckle Eyelets	14
31382	Ballstud Washer 5.5 x 1.0mm	10
31384	Bulkhead Washer 7.8 x 0.5mm	10
31530	M3 x 5mm BHCS	10
31541	M3 x 6mm FHCS	10
31620	TC6.2 Arm Mount Insert Set	1
31658	TC7 Front Belt	1
31659	TC7 Rear Belt	1
31771	TC7.2 Chassis, Graphite	1
31774	TC7.2 Top Plate, 2.0mm	1
31801	TC7.2 Arm Mount, Outer	2
31802	TC7.2 Arm Mount, Inner	4
91723	Turnbuckle, 3x48mm	2



:: Pinions

1335	17T 48P Aluminum Pinion Gear	1
1336	18T 48P Aluminum Pinion Gear	1
1337	19T 48P Aluminum Pinion Gear	1
1338	20T 48P Aluminum Pinion Gear	1
1339	21T 48P Aluminum Pinion Gear	1
1340	22T 48P Aluminum Pinion Gear	1
1341	23T 48P Aluminum Pinion Gear	1
1342	24T 48P Aluminum Pinion Gear	1
1343	25T 48P Aluminum Pinion Gear	1
1344	26T 48P Aluminum Pinion Gear	1
1345	27T 48P Aluminum Pinion Gear	1
1346	28T 48P Aluminum Pinion Gear	1
1347	29T 48P Aluminum Pinion Gear	1
1348	30T 48P Aluminum Pinion Gear	1
1349	31T 48P Aluminum Pinion Gear	1
1350	32T 48P Aluminum Pinion Gear	1
1351	33T 48P Aluminum Pinion Gear	1
1352	34T 48P Aluminum Pinion Gear	1
1353	35T 48P Aluminum Pinion Gear	1

:: Factory Team and Option Parts

1401	FT Titanium Turnbuckle 33mm	2
1402	FT Titanium Turnbuckle 35mm	2
1404	FT Titanium Turnbuckle 45mm	2
1405	FT Titanium Turnbuckle 48mm	2
1418	FT Titanium Turnbuckle 21mm	2
1735	FT Blue Body Clip, long	4
1736	FT Blue Body Clip, short	6
25391	FT 4mm Locknuts, blue	10
31280	5mm Ballstud, short	6
31281	8mm Ballstud, short	6
31282	10mm Ballstud, short	6
31283	5mm Ballstud, long	6
31284	8mm Ballstud, long	6
31285	10mm Ballstud, long	6
31288	Ti Nitride Ballstuds 5mm, short	2
31290	Ti Nitride Ballstuds 10mm, short	2
31291	Ti Nitride Ballstuds 5mm, long	2
31293	Ti Nitride Ballstuds 10mm, long	2
31296	TC6 Ballast Weight	1
31381	Ballstud Washers, 5.5x0.5 mm, blue aluminum	10
31382	Ballstud Washers, 5.5x1.0 mm, blue aluminum	10
31383	Ballstud Washers, 5.5x2.0 mm, blue aluminum	10
31384	Bulkhead Washers, 7.8x0.5 mm, blue aluminum	10
31385	Bulkhead Washers, 7.8x1.0 mm, blue aluminum	10
31386	Bulkhead Washers, 7.8x2.0 mm, blue aluminum	10
31550	M3 Aluminum Lock Nut, blue	6
31551	M4 Aluminum Flange Lock Nut, blue	6
31629	TC6.2 Arm Mount Shims, Graphite (outer)	4ea.
31630	TC6.2 Arm Mount Shims, Graphite (inner)	2ea.
31638	TC6.2 Spool Outdrive, Steel	1
31639	TC6.2 Belt Tensioner Kit	1
31640	TC6.2 Fan Mount Set	1
31641	TC6.2 30mm Cooling Fan	1
31646	TC7.1 Suspension Arm Shims, 0.2mm	1
31649	TC7.1 FT Bumper Brace, Graphite	1
31661	TC7.1 FT Brass Arm Mounts, outer	2
31662	TC7.1 FT Brass Arm Mounts, inner	2
31671	TC7 Wheel Hex, 4mm	2
31672	TC7 Wheel Hex Spacer Set	1
31733	TC7.1 FT Bearing Kit	1
31734	Bearing, 5 x 10 x 3, metal (used with #31632)	2
31772	TC7.2 Chassis, Aluminum	1
31773	TC7.2 Top Plate, 1.6mm	1
31781	TC7.2 Diff Kit	1
31799	TC7.2 Adjustable Body Post Set	1
31806	TC7.2 Camber Link Mount Shims (graphite)	4ea.
31807	TC7.2 Battery Stop (tape version)	2
31808	TC7.2 Arm Mount (front inner)	1
91493	FT Low Friction X-Rings	8

:: Lubes & Adhesives / Misc.

1105	FT Green Slime Shock Lube	1
1596	FT Locking Adhesive	1
1597	FT Tire Adhesive, Medium	1
5450	Silicone Diff Fluid 1,000CST	1
5451	Silicone Diff Fluid 2,000CST	1
5452	Silicone Diff Fluid 3,000CST	1
5444	Silicone Diff Fluid 4,000CST	1
5453	Silicone Diff Fluid 5,000CST	1
5446	Silicone Diff Fluid 6,000CST	1
5447	Silicone Diff Fluid 15,000CST	1
5454	Silicone Diff Fluid 7,000CST	1
5455	Silicone Diff Fluid 10,000CST	1
5456	Silicone Diff Fluid 20,000CST	1
5457	Silicone Diff Fluid 30,000CST	1
5458	Silicone Diff Fluid 60,000CST	1
5448	Silicone Diff Fluid 80,000CST	1
5459	Silicone Diff Fluid 100,000CST	1
5461	Silicone Diff Fluid 200,000CST	1
5463	Silicone Diff Fluid 500,000CST	1
5465	Silicone Diff Fluid 1,000,000CST	1
6588	Black Grease - 4cc	1
6591	S.Diff Lube - 4cc	1
6636	Silicone Grease - 4cc	1
6727	Servo Tape	2
9787	Chassis Protective Sheet	1



1596

:: Decals

726	Reedy 2016 Sticker Sheet	1
31810	TC7.2 Decal Sheet	1

:: Reedy Batteries

302	AA Alkaline 1.5V (4)	1
304	LiPo Pro TX/RX Battery 1600mAh 7.4V Flat	1
305	LiFe Pro TX/RX Battery 1300mAh 6.6V Flat	1
27313	LiPo Pro TX/RX 2400mAh 7.4V Flat	1
27315	LiFe Pro TX/RX 1600mAh 6.6V Flat	1
27317	Wolfpack HV LiPo 50C 5100mAh 7.6V Stick	1
27320	Zappers SG HV-LiPo 7.6V 8200mAh 110C Stick	1
27321	Zappers SG HV-LiPo 7.6V 6000mAh 110C LP Stick	1

:: Reedy Chargers / Accessories

CHARGERS		
27200	1216-C2 Dual AC/DC Competition Battery Charger	1
27200CN	1216-C2 Dual AC/DC Competition Battery Charger - CHN Plug	1
27200EU	1216-C2 Dual AC/DC Competition Battery Charger - EURO Plug	1
27200UK	1216-C2 Dual AC/DC Competition Battery Charger - UK Plug	1

CHARGING ACCESSORIES		
611	Charge Harness 2S Standard Pack 5mm	1
996	5.0mm 1S-2S Balance Charge lead w/SP Clip	1
997	4.0mm 1S-2S Balance Charge lead w/SP Clip	1
27201	324-S AC LiPo/LiFe Compact Balance Charger	1
27220	7-in-1 Universal Charge Lead (4mm)	1
27221	T-plug Charge Lead (4mm)	1
27222	XH 2-6S Balance Board (4mm)	1
27223	RX Charger Lead FUT (4mm)	1
27224	US to IEC 320 C5 angle 1M AC Power Cord	1
27225	US to IEC 320 C5 angle .5M AC Power Cord	1
27226	EU to IEC 320 C5 angle 1M AC Power Cord	1
27227	UK to IEC 320 C5 angle 1M AC Power Cord	1
27228	AU to IEC 320 C5 angle 1M AC Power Cord	1
27229	CN to IEC 320 C5 angle 1M AC Power Cord	1

:: Reedy Motors / Spare Parts / Accessories**MOTORS**

256	Sonic 540-M3 10.5	1
257	Sonic 540-M3 9.5	1
258	Sonic 540-M3 8.5	1
259	Sonic 540-M3 8.0	1
260	Sonic 540-M3 7.5	1
261	Sonic 540-M3 7.0	1
262	Sonic 540-M3 6.5	1
263	Sonic 540-M3 6.0	1
264	Sonic 540-M3 5.5	1
265	Sonic 540-M3 5.0	1
266	Sonic 540-M3 4.5	1
287	Sonic 540-M3 25.5 ROAR Spec	1
293	Sonic 540 FT 17.5 Fixed Timing	1
294	Sonic 540 FT 13.5 Fixed Timing	1
297	Sonic 540 FT 21.5 Fixed Timing	1
907	540-SL4 3300kV 4-pole Sensorless	1
27401	S-Plus 21.5 Spec	1
27402	S-Plus 17.5 Spec	1
27403	S-Plus 13.5 Spec	1

SPARE PARTS/ACCESSORIES

271	Sonic 540-M3 Spec Rotor 12.0 x 7.25 x 25.3	1
272	Sonic 540-M3 Spec Rotor 12.2 x 7.25 x 25.3	1
273	Sonic 540-M3 Spec Rotor 12.5 x 7.25 x 25.3	1
274	Sonic 540-M3 Mod Rotor 12.3 x 5.0 x 25.3	1
275	Sonic 540-M3 Mod Rotor 12.5 x 5.0 x 25.3	1
276	Sonic 540-M3 Mod Rotor 13.0 x 5.0 x 25.3	1
277	Sonic 540-M3 Stainless Steel Bearing Set	1
279	Sonic 540-M3 Sensor Assembly	1
280	Sonic 540-M3 Rotor Spacer Set	1
281	Sonic 540-M3 Case Screws w/Insulator	1
282	Sonic 540-M3 Motor Mounting Plate 1S	1
283	Sonic 540-M3 Motor Mounting Plate	1
286	540-M3/S-Plus Spec Rotor 12.3 x 7.25 x 25.3	1
295	Sonic 540-FT Spec Rotor 12.0 x 7.25 x 25.3	1
296	Sonic 540-M3 Mod Rotor 12.0 x 5.0 x 24.2	1
27414	540-M3/S-Plus Spec Rotor 12.5 x 7.15 x 24.2	1
27415	540-M3/S-Plus Spec Rotor 12.3 x 7.15 x 24.2	1
27416	540-M3/S-Plus Spec Rotor 12.0 x 7.15 x 24.2	1
27417	S-Plus Screw Set	1
27418	540-M3/S-Plus Lightweight Sensor Board	1
27419	S-Plus Front Plate	1
27420	540-M3/S-Plus Aluminum Case Screw Set	1
27421	540-M3/S-Plus Aluminum Timing Screw Set	1
27423	30mm Motor Fan w/195mm extension	1

SENSOR WIRES

978	Flat Sensor Wire 70mm	1
979	Flat Sensor Wire 110mm	1
980	Flat Sensor Wire 150mm	1
981	Flat Sensor Wire 200mm	1
982	Flat Sensor Wire 270mm	1
994	Flat Sensor Wire 125mm	1
995	Flat Sensor Wire 175mm	1

:: Reedy Servos & Accessories

27108	RS0806 Digital HV Hi-Speed LP Competition Servo	1
27109	RT1408 Digital HV Hi-Speed LP Competition Servo	1
27124	RS0806 LP Case Set	1
27125	RS0806 LP Gear Set	1
27126	RT1408 LP Case Set	1
27127	RT1408 LP Gear Set	1

:: Reedy ESC's and Accessories**ELECTRONIC SPEED CONTROLLERS**

256C	Blackbox 1000Z+/540-M3 10.5 Combo	1
258C	Blackbox 1000Z+/540-M3 8.5 Combo	1
259C	Blackbox 1000Z+/540-M3 8.0 Combo	1
260C	Blackbox 1000Z+/540-M3 7.5 Combo	1
261C	Blackbox 1000Z+/540-M3 7.0 Combo	1
262C	Blackbox 1000Z+/540-M3 6.5 Combo	1
285C	Blackbox 800Z/540-M3 10.5 SS Combo	1
287C	Blackbox 800Z/540-M3 25.5 ROAR Combo	1
27002	Blackbox 800Z 2S Zero-Timing Competition ESC	1
27003	Blackbox 1000Z+ 2S Competition ESC	1
27004	Blackbox 510R Competition ESC	1
27005	Blackbox 510R Comp. ESC w/PROgrammer2	1
27006	Blackbox 600Z 2S Zero-Timing Competition ESC	1
29180	SC800-BL Brushless ESC	1
29185	SC600-BL Brushless ESC	1
29193	SC550 Brushed ESC	1

ESC ACCESSORIES

27024	Blackbox Pro Capacitor Unit	1
27026	Blackbox 1000Z+ Fan w/Screws	1
27027	Blackbox PROgrammer2	1
27028	Blackbox 30x30x7mm Fan w/screws	1
27029	Blackbox Pro Modified Capacitor Unit	1
27030	Blackbox ESC/Programmer2 Connection Wire	1
27031	Blackbox 510R 30x30x10mm Fan w/screws	1
29182	SC800-BL Fan	1
29184	SC800-BL/SC1000-BL/SC1000-DB/SC600-BL Switch	1
29186	SC600-BL Fan	1
29194	SC550 Bridge Plug	1

:: Reedy Accessories

643	Low Profile Bullet Plug 4mm x 14mm (2)	1
644	Low Profile Bullet Plug 4mm x 14mm (10)	1
645	Low Profile Bullet Plug 5mm x 14mm (2)	1
646	Low Profile Bullet Plug 5mm x 14mm (10)	1
647	Silicone Wire 12AWG-Black (1m)	1
648	Silicone Wire 14AWG-Black (1m)	1
650	Shrink Tubing - 15pcs 4.5mm x 20mm	1
654	4.0mm Bullet Plugs (2M, 2F)	1
655	4.0mm Bullet Plugs (2M, 10F)	1
656	4.0mm Bullet Plugs (10F)	1
658	4.0mm Bullet Plugs (10M)	1
659	4.0mm Bullet Plugs (30M)	1
747	Silicone Wire 12AWG-Black (30m)	1
748	Silicone Wire 14AWG-Black (30m)	1
790	Silicone Wire 13AWG-Black (1m)	1
791	Silicone Wire 13AWG-Black (30m)	1
792	Low Profile Caged Bullet Plug 4mm x 14mm (2)	1
793	Low Profile Caged Bullet Plug 4mm x 14mm (10)	1
794	Low Profile Caged Bullet Plug 5mm x 14mm (2)	1
795	Low Profile Caged Bullet Plug 5mm x 14mm (10)	1
27304	LiPo Battery Weight Set - Shorty	1

:: MyLaps Transponders

MLP10R078	MyLaps Hybrid (2-wire) Transponder	1
MLP10R078BK	MyLaps Hybrid Black Edition (2-wire) Transponder	1
MLP10R120	MyLaps RC4 (3-wire) Transponder	1
MLP10R120BK	MyLaps RC4 Black Edition (3-wire) Transponder	1
MLP40R222	MyLaps Transponder Holder	1

:: Apparel / Promotional**TEE SHIRTS**

SP11*	2016 Worlds T-shirt, blue, (S, M, L, XL-5XL)	1
SP12*	2016 Worlds T-shirt, black, (S, M, L, XL-5XL)	1
SP120*	AE 3/4 Sleeve Tee, Gray (S, M, L, XL-3XL)	1
SP121*	Kids AE Speed Tee, Black (S, M, L)	1
SP122*	Ladies AE Speed Tee, Black (S, M, L, XL)	1
SP123*	Mens AE Speed Tee, Navy (S, M, L, XL-5XL)	1
SP124*	AE 2017 Worlds Tee, Black (S, M, L, XL-3XL)	1
SP140*	Reedy Heritage Tee, Black (S, M, L, XL-5XL)	1

HOODIES/JACKETS

SP13*	AE Lite Jacket - Black - (XL, 2XL)	1
SP141*	Reedy R Hoodie - Black (S, M, L, XL-3XL)	1

HATS

SP20	AE Patch Trucker Hat	1
SP38	Reedy Trucker Hat	1
SP406	2017 Reedy Power Hat, Black	1
SP407	2017 Team Associated Hat, Gray	1

BANNERS/MATS CARRIERS

SP29	Team Associated Countertop/Setup Mat	1
SP31	Reedy Countertop/Setup Mat	1
SP115	Reedy Circuit Cloth Banner	1
SP425	FT Fluid Carrier	1
SP426	Team Associated Countertop / Setup Mat	1
SP427	Reedy Countertop / Setup Mat	1
110684	Team Associated Track Banner	1
110685	Team Associated Cloth Banner	1

:: Tools

1111	FT Turnbuckle Wrench	1
1112	FT 4mm Turnbuckle Wrench	1
1113	12mm Big Bore Shock Tool	1
1114	FT Dual Turnbuckle Wrench	1
1452	FT TC Ride Height Gauge	1
1498	FT Universal Tire Balancer	1
1541	FT Hex Driver Set, (7 pcs)	1
1545	FT 5/64" Blue Hex Driver	1
1555	FT Clutch Gauge, 4 Shoe	1
1568	FT 5.5mm Short Nut Driver	1
1569	FT 7mm Nut Driver, T-Handle	1
1570	FT 5.5mm Short Nut Driver	1
1571	FT 1:8 Wheel Nut Wrench, 17mm Hex	1
1579	FT Ball Cup Wrench	1
1590	FT 3/32" Gold Ball Hex Driver	1
1592	FT Ball Hex Driver Set, (3 pcs)	1
1655	FT 8-Piece 1/4" Hex Drive Set	1
1656	FT 1/4" Hex Drive Handle, without tips	1
1657	FT 1/4" Hex Drive .050" Tip	1
1658	FT 1/4" Hex Drive 1/16" Tip	1
1659	FT 1/4" Hex Drive 5/64" - 2.0mm Tip	1
1660	FT 1/4" Hex Drive 3/32" Tip	1
1661	FT 1/4" Hex Drive 1.5mm Tip	1
1662	FT 1/4" Hex Drive 2.5mm Tip	1
1663	FT 1/4" Hex Drive 3/16" Nut Driver Tip	1
1664	FT 1/4" Hex Drive 1/4" Nut Driver Tip	1
1665	FT 1/4" Hex Drive 11/32" Nut Driver Tip	1
1666	FT 1/4" Hex Drive 5.5mm Nut Driver Tip	1
1667	FT 1/4" Hex Drive 7.0mm Nut Driver Tip	1
1668	FT 1/4" Hex Drive 8.0mm Nut Driver Tip	1
1669	FT 1/4" Hex Drive 5/64" - 2.0mm Ball End Tip	1
1670	FT 1/4" Hex Drive 3/32" Ball End Tip	1
1671	FT 1/4" Hex Drive Standard Screwdriver Tip	1
1672	FT 1/4" Hex Drive Phillips Screwdriver Tip	1
1673	FT 1/4" Hex Drive 2.5mm Ball End Tip	1
1674	FT 1/4" 5 Piece Power Tool Tips Set (5/64-2.0mm, 1.5mm, 2.5mm, 5/64"- 2.0mm ball, 2.5mm ball)	1
1675	FT Shock Shaft Pliers	1
1679	FT T-Handle Ratchet Driver	1
1719	FT Camber + Track Width Tool	1
1737	FT Body Scissors	1
3718	12 Inch Nylon Wire Ties	12
3719	6 Inch Nylon Wire Ties	12
3720	8 Inch Nylon Wire Ties	12
3987	FT Droop Gauge	1
7709	4 Inch Nylon Wire Ties	12

Associated Electrics, Inc.
26021 Commercentre Drive
Lake Forest, CA 92630-8853 USA
<http://www.TeamAssociated.com>
<http://www.RC10.com>

<https://instagram.com/teamassociatedrc/>
https://twitter.com/Team_Associated
<https://www.facebook.com/TeamAssociated>

call: (949) 544-7500
fax: (949) 544-7501

Check out the following web sites for all of our electric kits, current products, new releases, setup help, tips, and racing info!

www.TeamAssociated.com - www.RC10.com

*** Use part number plus the desired size when ordering!**

Track Info:

Size: Sm Med Lg XL

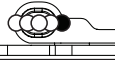

Surface: Carpet Asphalt
Indoor Outdoor

Traction: Low Medium
High Wet

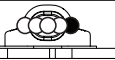
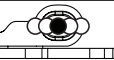
Condition: Bumpy Smooth

Temperature: Ambient Track

Roll Centers:

FF  **RF** 

Shim: **Shim:**

FR  **RR** 

Shim: 0.5mm **Shim: 0.5mm**

Notes:

Front Transmission: **Rear**

Solid Axle: **Gear Diff:**

Fluid: 5000cst

Mass w/Fluid: 22.8gr

Spur: **Pinion:** **FDR:**

Notes:

Front Shocks: **Rear**

Blue Spring: Blue

4x1.1 Piston: 4x1.1

35wt Fluid: 35wt

25% Rebound: 25%

Stroke:

1.4mm Anti-Roll Bar: 1.2mm

Notes:

Body & Wing:

Body: **Position:**

Wing: **Position:**

Notes:

Electronics:

Motor: **Timing:**

Battery: **Mass:**

ESC: **Settings:**

Radio: **Servo:**

Turn Circle: **STR Expo:**

Brake E.P.: **THR Expo:**

Notes:

Tires:

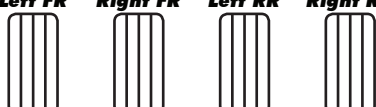
Insert: **Wheel:**

Tire Diameter (F/R):

Additive (F/R):

Additive Timing:

Left FR **Right FR** **Left RR** **Right RR**

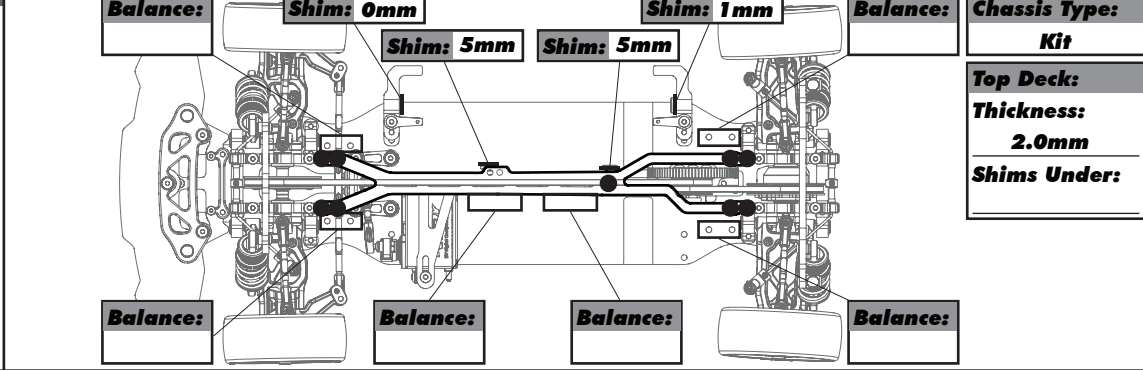
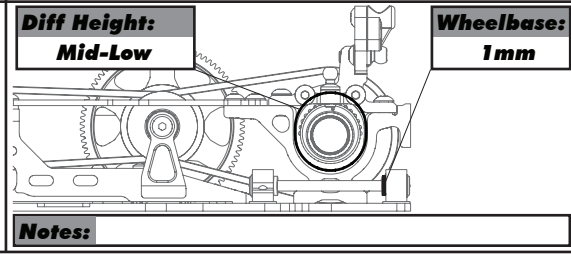
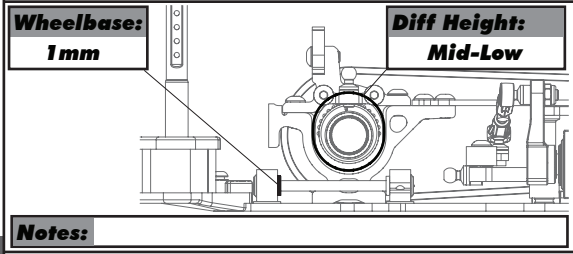
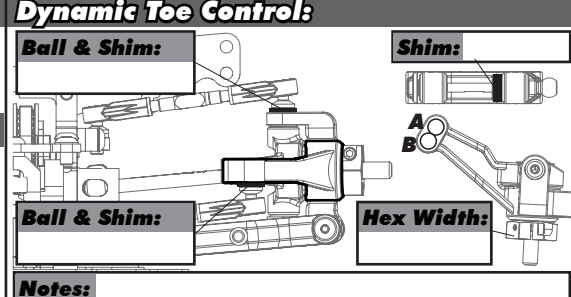
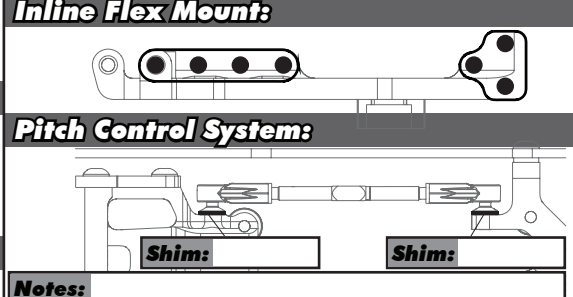
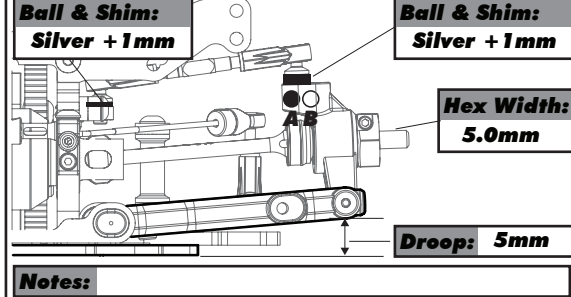
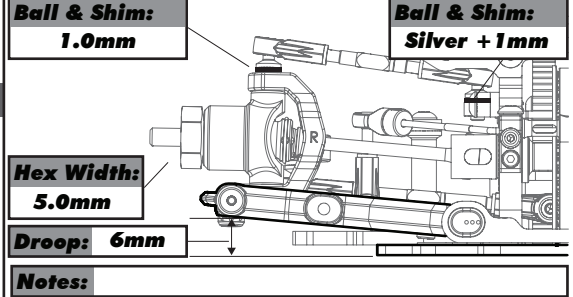
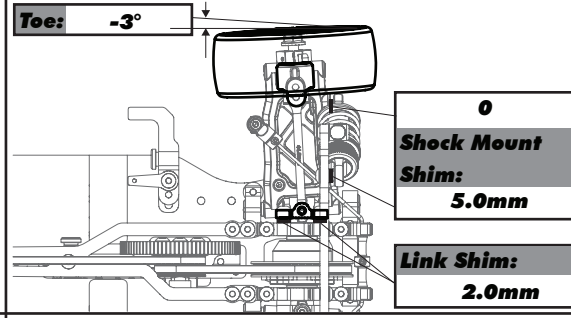
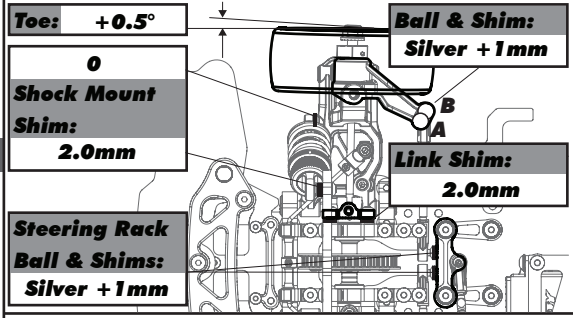
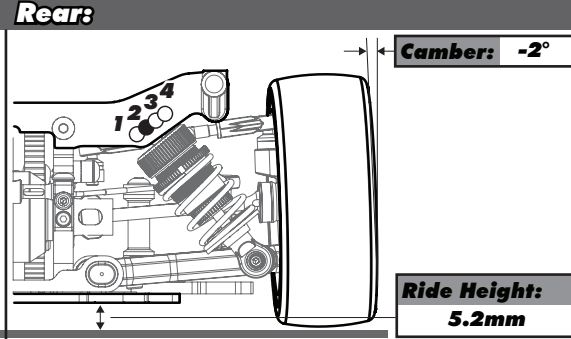
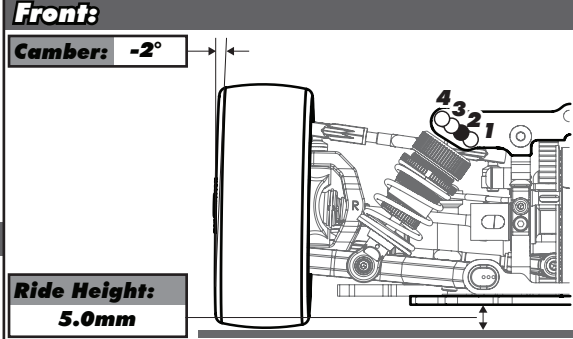


Notes:

Driver: Team Kit Stock Setup **Date:** _____

Track: _____ **Event:** _____

Quality: _____ **Best Lap Time:** _____ **Main:** _____ **Finish:** _____



Track Info:

Size: Sm Med Lg XL

Surface: Carpet Asphalt
Indoor Outdoor

Traction: Low Medium
High Wet

Condition: Bumpy Smooth

Temperature: Ambient _____ Track _____

Driver: _____ **Date:** _____

Track: _____ **Event:** _____

Quality: _____ **Best Lap Time:** _____ **Main:** _____ **Finish:** _____



Roll Centers:

FF **RF**

Shim: _____ **Shim:** _____

FR **RR**

Shim: _____ **Shim:** _____

Notes: _____

Front Transmission: **Rear**

Solid Axle:

Gear Diff:

Fluid: _____

Mass w/Fluid: _____

Spur: _____ **Pinion:** _____ **FDR:** _____

Notes: _____

Front Shocks: **Rear**

Spring: _____

Piston: _____

Fluid: _____

Rebound: _____

Stroke: _____

Anti-Roll Bar: _____

Notes: _____

Body & Wing:

Body: _____ **Position:** _____

Wing: _____ **Position:** _____

Notes: _____

Electronics:

Motor: _____ **Timing:** _____

Battery: _____ **Mass:** _____

ESC: _____ **Settings:** _____

Radio: _____ **Servo:** _____

Turn Circle: _____ **STR Expo:** _____

Brake E.P.: _____ **THR Expo:** _____

Notes: _____

Tires:

Tires: _____

Insert: _____ **Wheel:** _____

Tire Diameter (F/R): _____

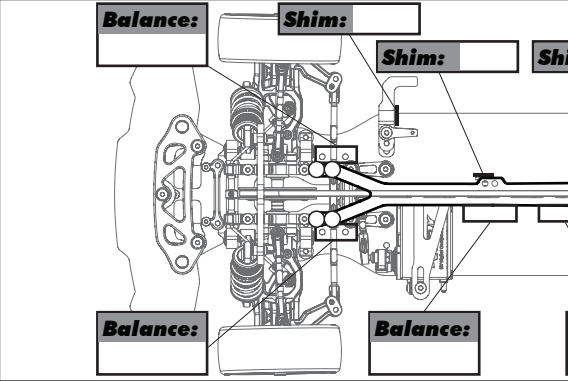
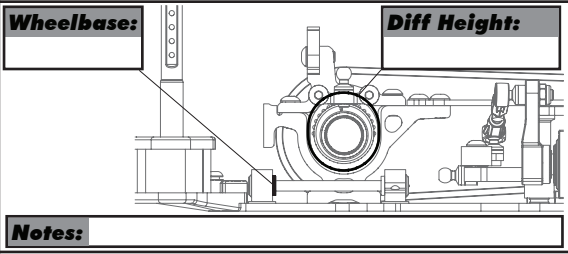
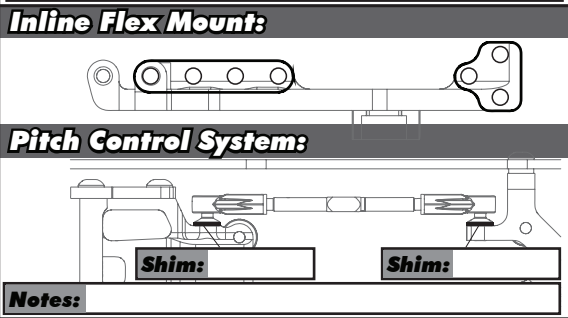
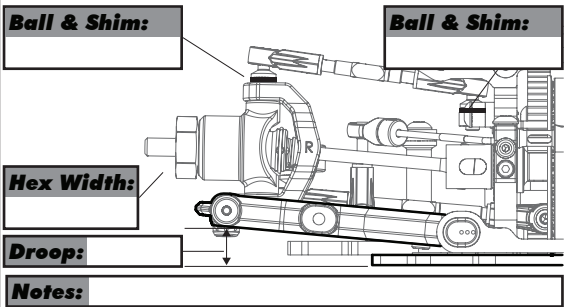
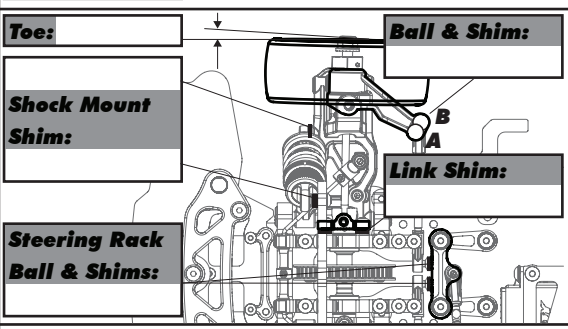
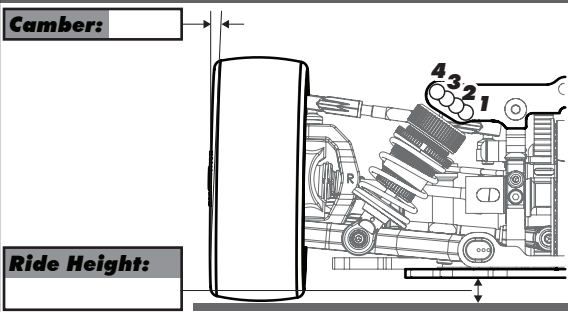
Additive (F/R): _____

Additive Timing:

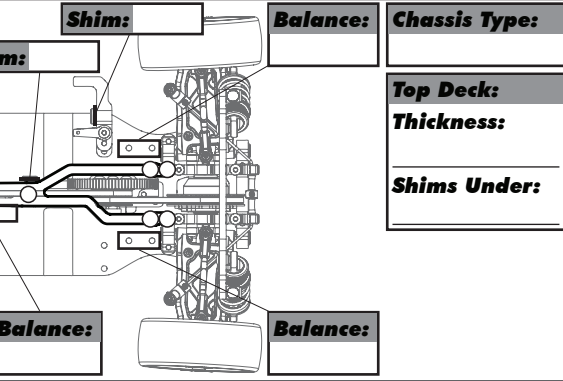
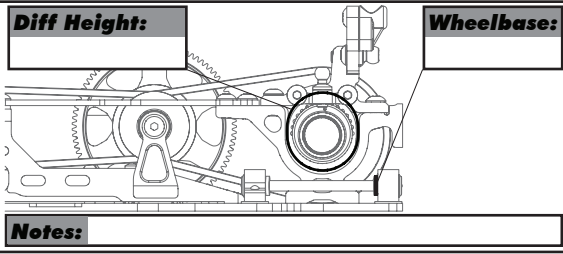
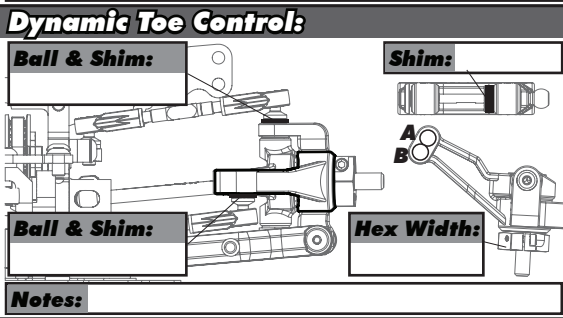
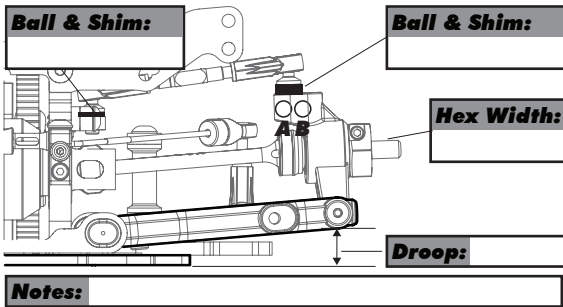
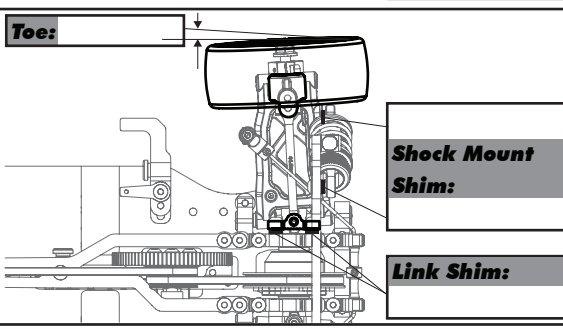
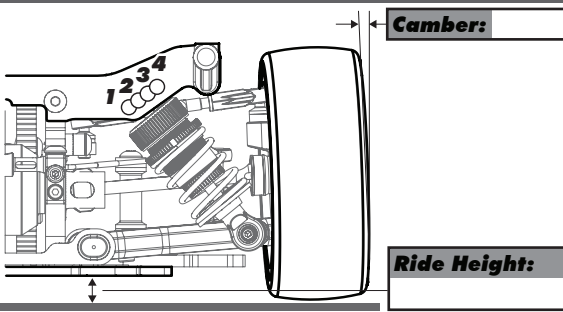
Left FR **Right FR** **Left RR** **Right RR**

Notes: _____

Front:



Rear:



TEAM ASSOCIATED

WORLD CHAMPION R/C CARS

Associated Electrics, Inc.

26021 Commercentre Dr. Lake Forest, CA 92630 USA

call: (949) 544-7500 - fax: (949) 544-7501

**Check out the following web sites for all of our kits,
current products, new releases, setup help, tips, and racing info!
www.TeamAssociated.com - www.RC10.com**

FOLLOW US ON SOCIAL MEDIA



**TeamAssociated
ReedyPower**



**@TeamAssociatedRC
@ReedyPower**



**@Team_Associated
@ReedyPower**



AEFactorYTeam