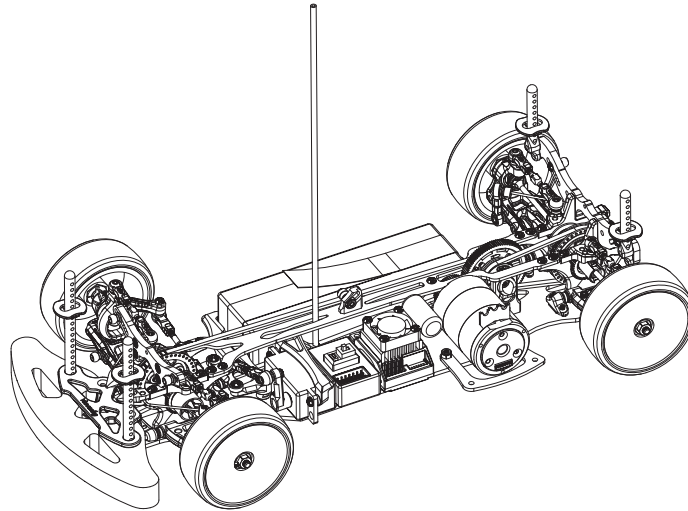


COMPETITION GRADE HIGH PERFORMANCE RADIO CONTROL RACING CAR CHASSIS KIT

WILDFIRE DO6

1/10 4WD ELECTRIC COMPETITION TOURING CAR KIT



INSTRUCTIONS MANUAL

vbc racing



Thank you for purchasing VBC Racing product.

Things that we should remind you.

This VBC Racing kit is a high performance, racing grade car kit intended for experienced racers. The kit compose of VBC formulated composite materials, top quality full carbon fiber chassis and high grade 7075 material which will give you a competitive edge over the others.

Novice racer should seek advice from more experienced racer before assembly.

Always keep this instruction manual handy at all times for quick reference even after completing the assembly.

Before your assembly, sand the chassis edges.

Sand the chassis edges with #600 sand paper and apply CA glue to the edges and counter sink holes.

Need help or support.

If you need help or you would like to leave us a comment, please email to our support team: support@vbc-racing.com or visit our web site www.vbcrc.com



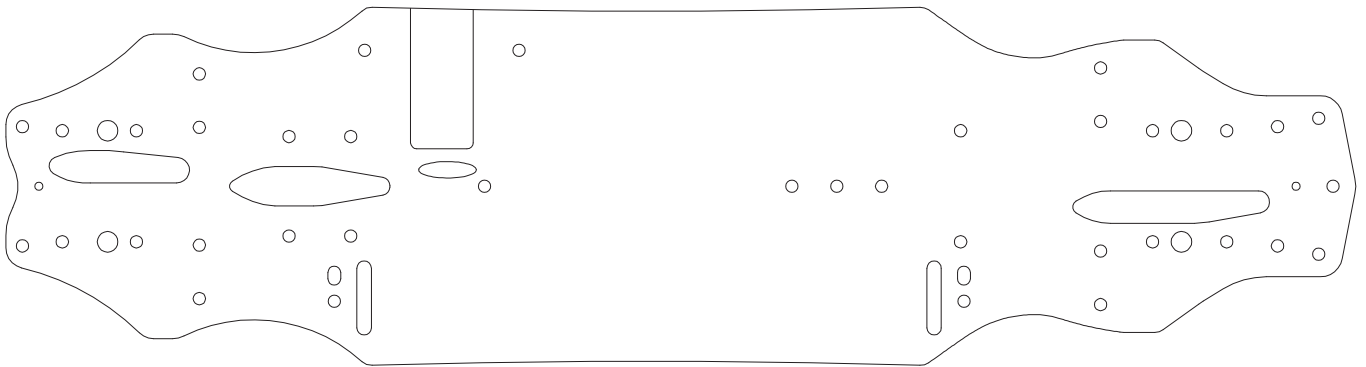
1

Graphite Edges Protection Procedure



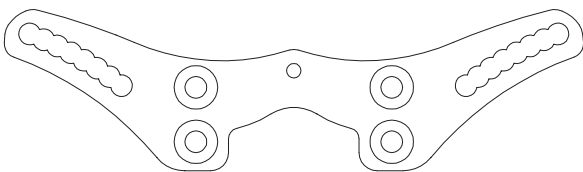
*Not included in this kit

Sand the chassis edges with #600 sand paper(not included) and apply CA glue(not included) to the edges of the chassis.

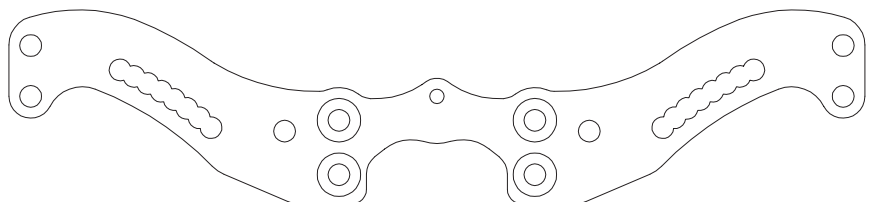


A-02-VBC-3006 WildFireD06 Standard Graphite Chassis

Sand the below graphite edges with #600 sand paper and apply CA glue to the edges.



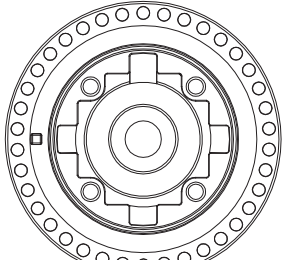
A-02-VBC-3007 WildFireD06 Graphite Front Shock Tower



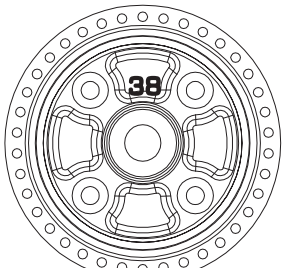
A-02-VBC-3008 WildFireD06 Graphite Rear Shock Tower

2

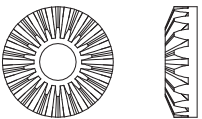
Rear Gear Diff Assembly



Gear Diff Housing A-03-VBC-0016 x 1



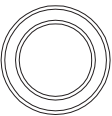
Gear Diff Pulley 38T A-03-VBC-0017 x 1



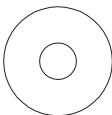
Diff Gear 18T A-03-VBC-0019 x 2



Diff Cup B-02-VBC-0022 x 2



10x15 Ball Bearing C-02-BB-1510-P x 2



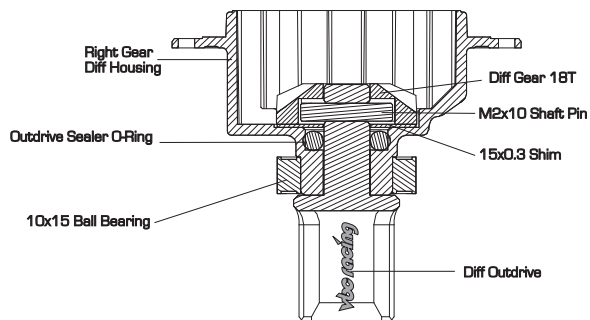
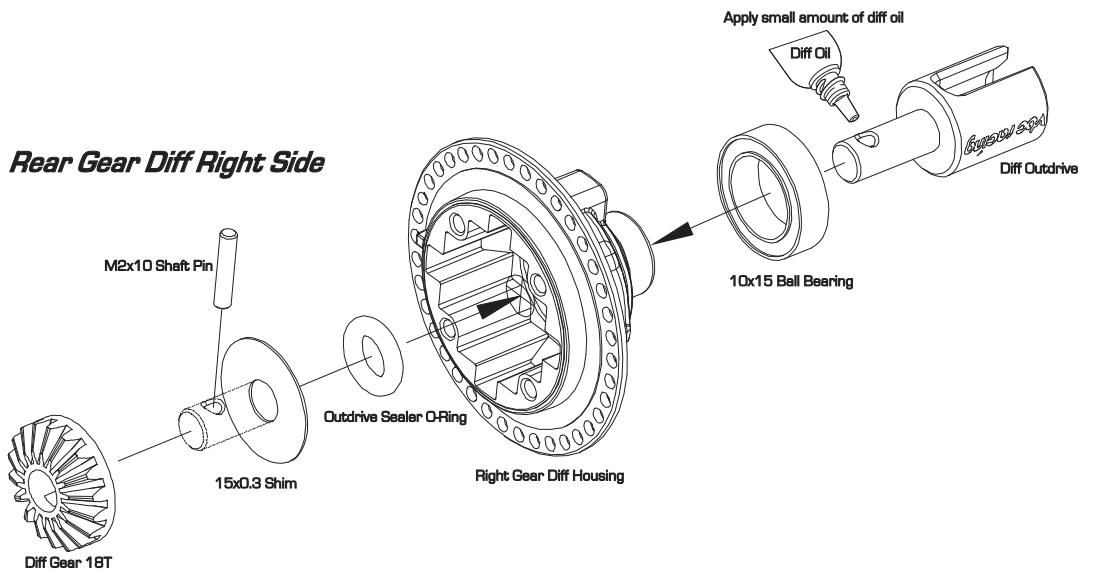
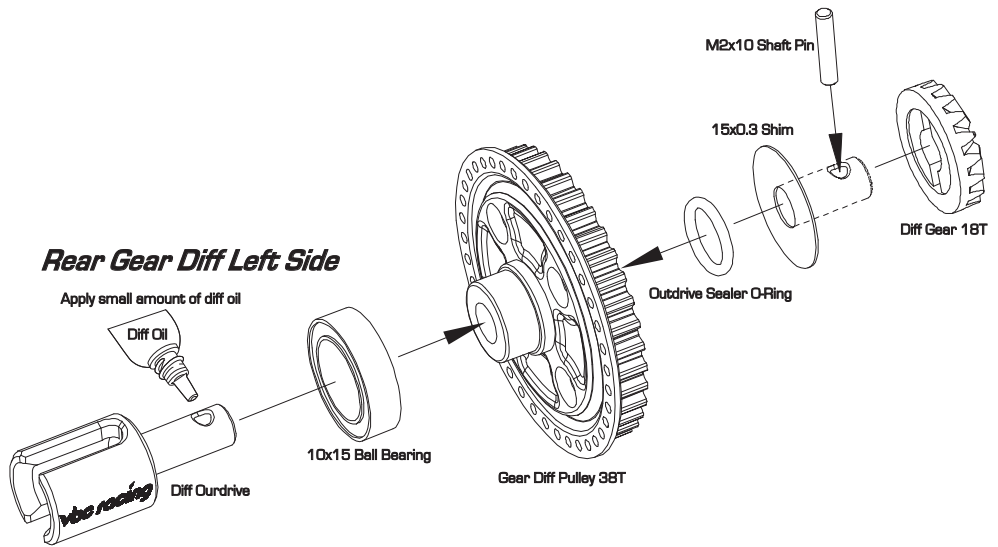
15x0.3 Shim B-02-VBC-0077 x 2



M2x10 Shaft Pin B-02-VBC-0020 x 2

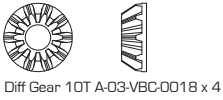


Diff Shaft Sealer O-Ring B-03-VBC-0006 x 2

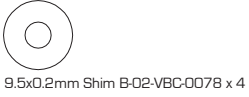


3

Rear Gear Diff Assembly Continue



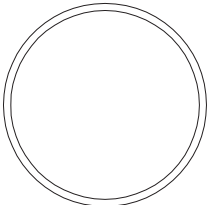
Diff Gear 10T A-03-VBC-0018 x 4



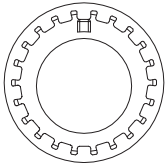
9.5x0.2mm Shim B-02-VBC-0078 x 4



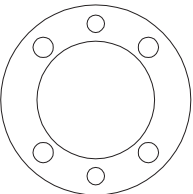
M2.6x10 Flathead Screw C-02-SC-F2.6x10 x 4



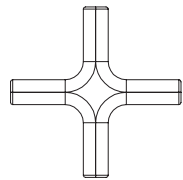
Diff Housing Sealer O-Ring B-03-VBC-0005 x 1



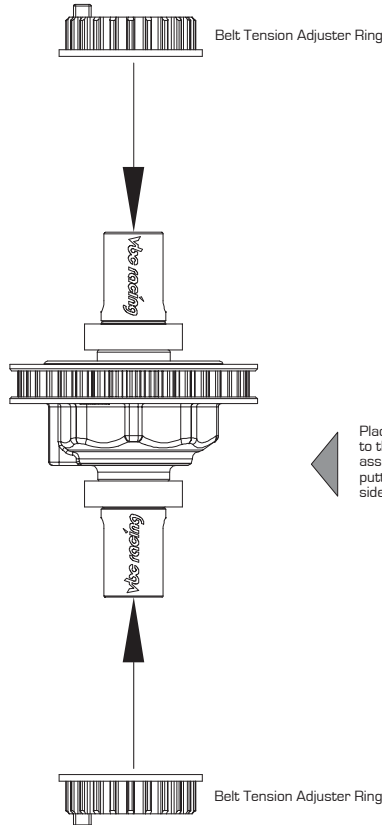
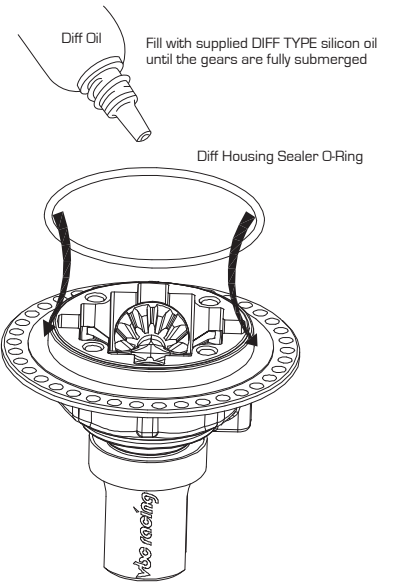
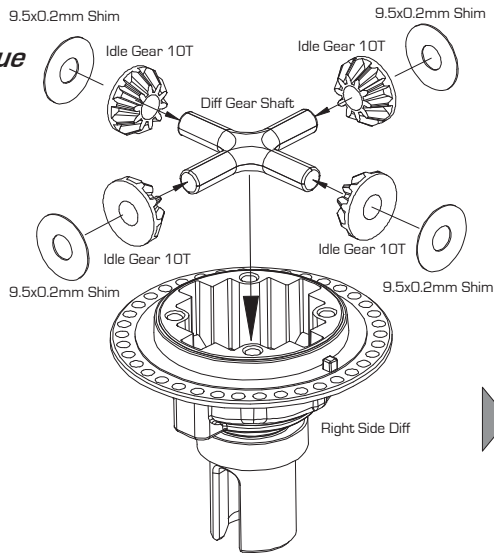
Belt Tension Adjuster Ring A-03-VBC-0047 x 2



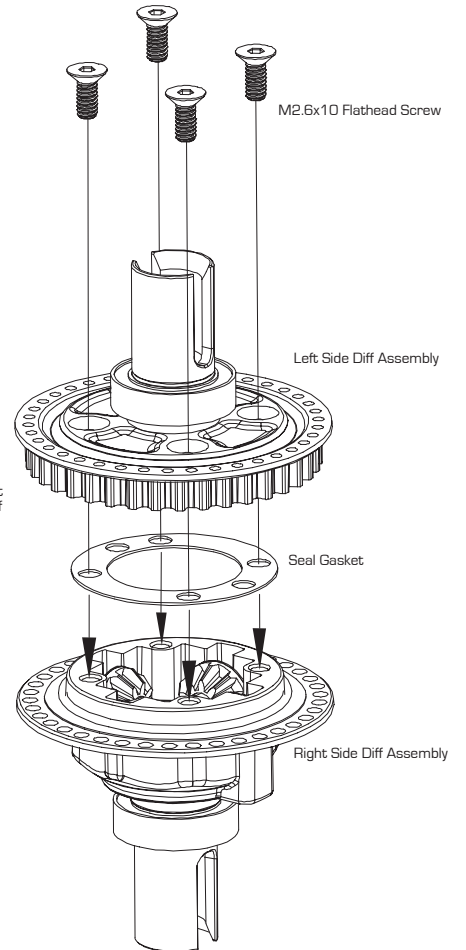
Seal Gasket B-03-VBC-0004 x 1



Diff Gear Shaft A-03-VBC-0020 x 1

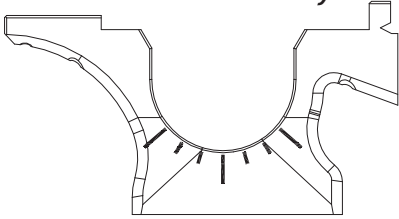


Place Seal Gasket to the left side diff assembly before putting the right side diff together

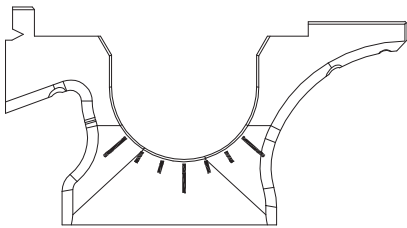


4

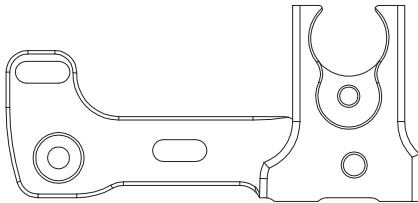
Rear Drivetrain Assembly



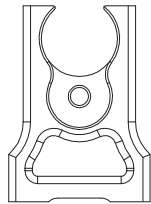
Lower Bulkhead RL B-02-VBC-3016 x 1



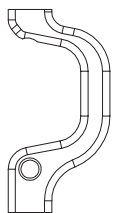
Lower Bulkhead RR B-02-VBC-3015 x 1



Motor Mount B-02-VBC-3017 x 1



Main Gear Bulkhead B-02-VBC-3019 x 1



Motor Mount Support B-02-VBC-3018 x 1



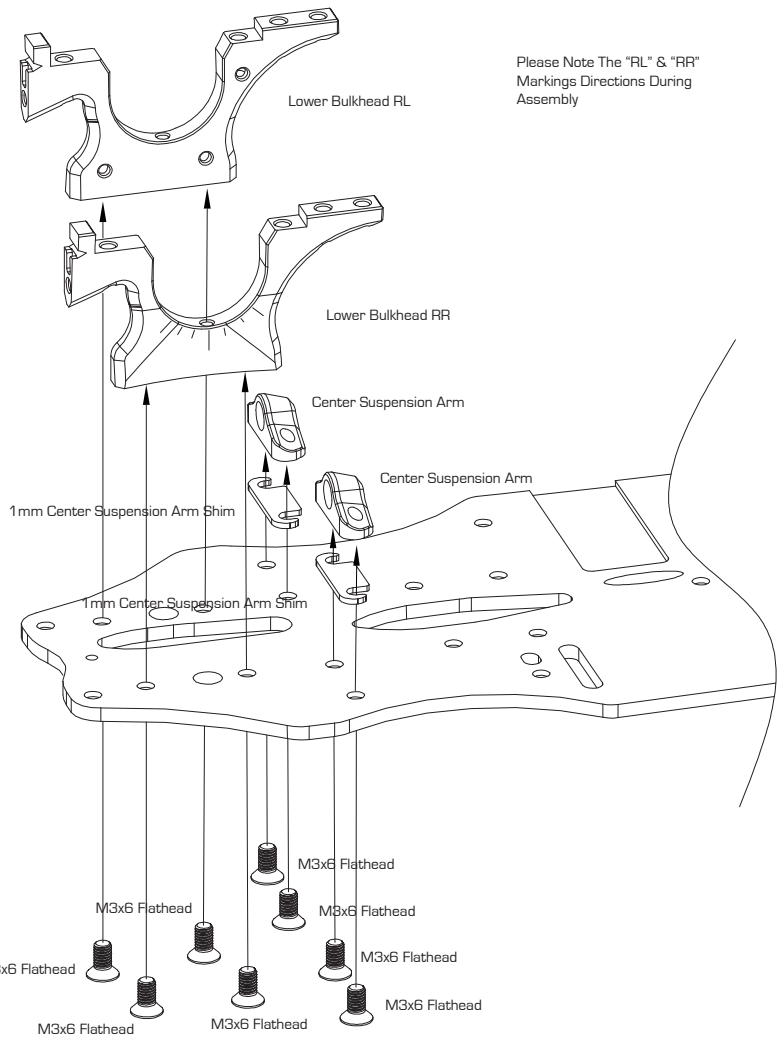
Center Suspension Mount x 2
B-02-VBC-0062



Center Suspension Mount Shim(1mm) x 2
A-01-VBC-0038

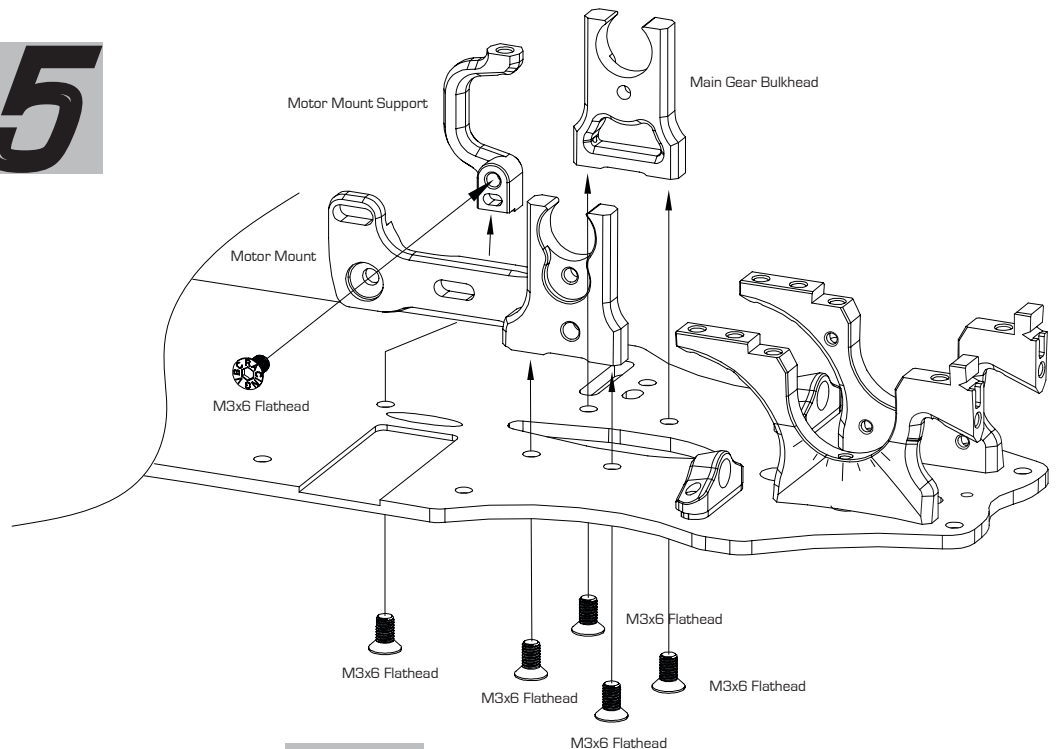


M3x6 Flathead C-02-SC-F0306 x 14



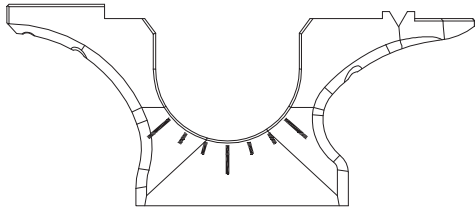
Please Note The "RL" & "RR"
Markings Directions During
Assembly

5

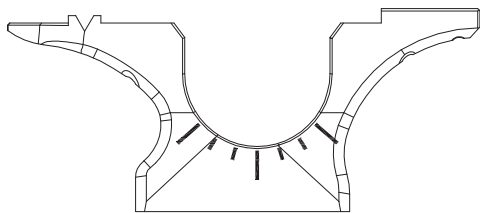


6

Front Drive Train Assembly



Lower Bulkhead FR B-02-VBC-3013 x 1



Lower Bulkhead FL B-02-VBC-3014 x 1



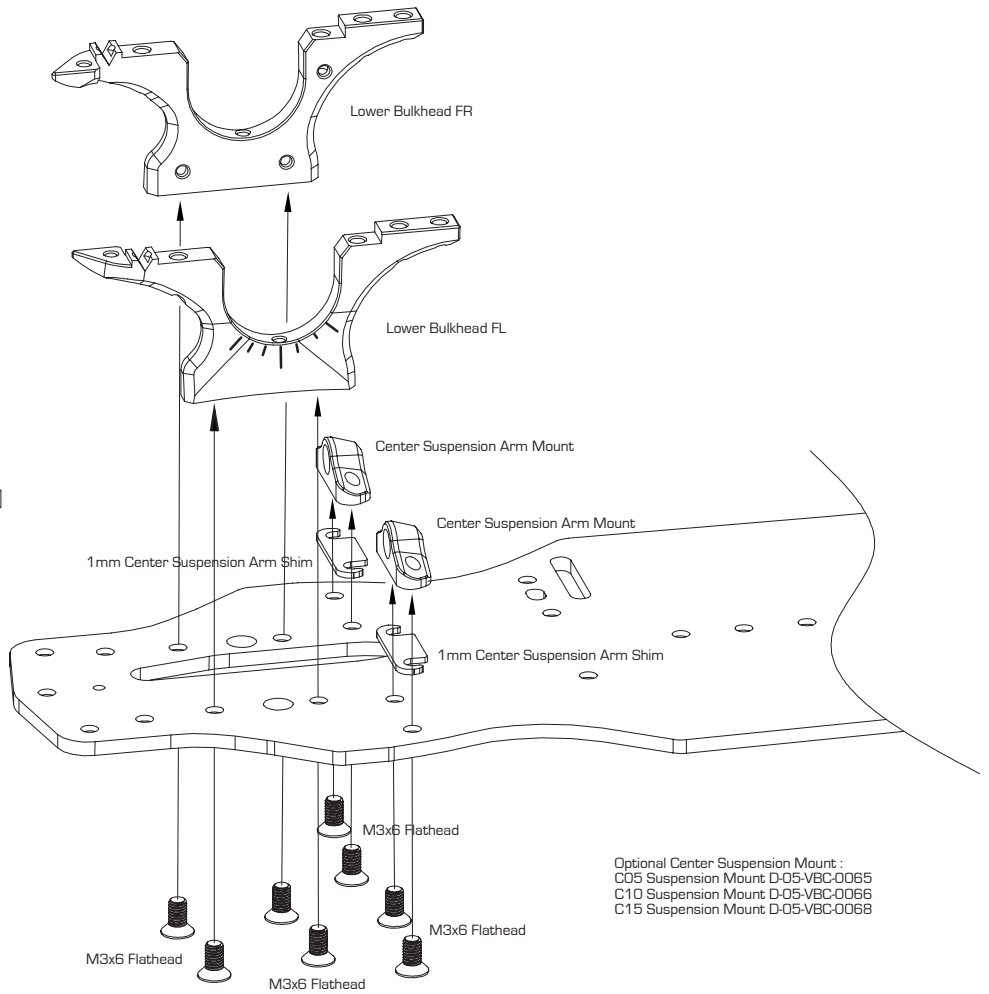
Center Suspension Arm B-02-VBC-0062 x 2



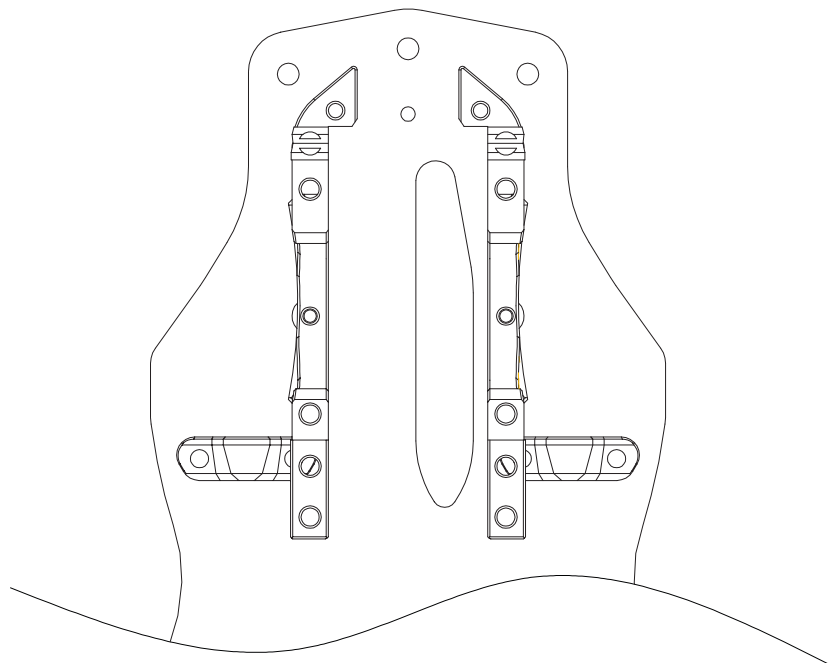
1mm Center Suspension Arm Shim x 2
A-01-VBC-0038



M3x6 Flathead C-02-SC-F0306 x 8

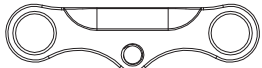


Note the direction on front lower bulkhead FR & FL

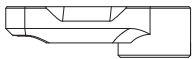


7

Steering System Assembly



Steering Assembly Travel Plate B-02-VBC-0054 x 1



Steering Travel Arm B-02-VBC-0053 x 2



Steering Assembly Pole B-02-VBC-0055 x 2



Ball Connector (7.5mm Length) B-02-VBC-3022 x 2



Ball Connector (5mm Length) B-02-VBC-3021 x 1



5x8 Ball Bearing C-02-BB-0805-B x 4



3x6 Ball Bearing C-02-BB-0603 x 2



Steering Cone Washer B-02-VBC-0089 x 2



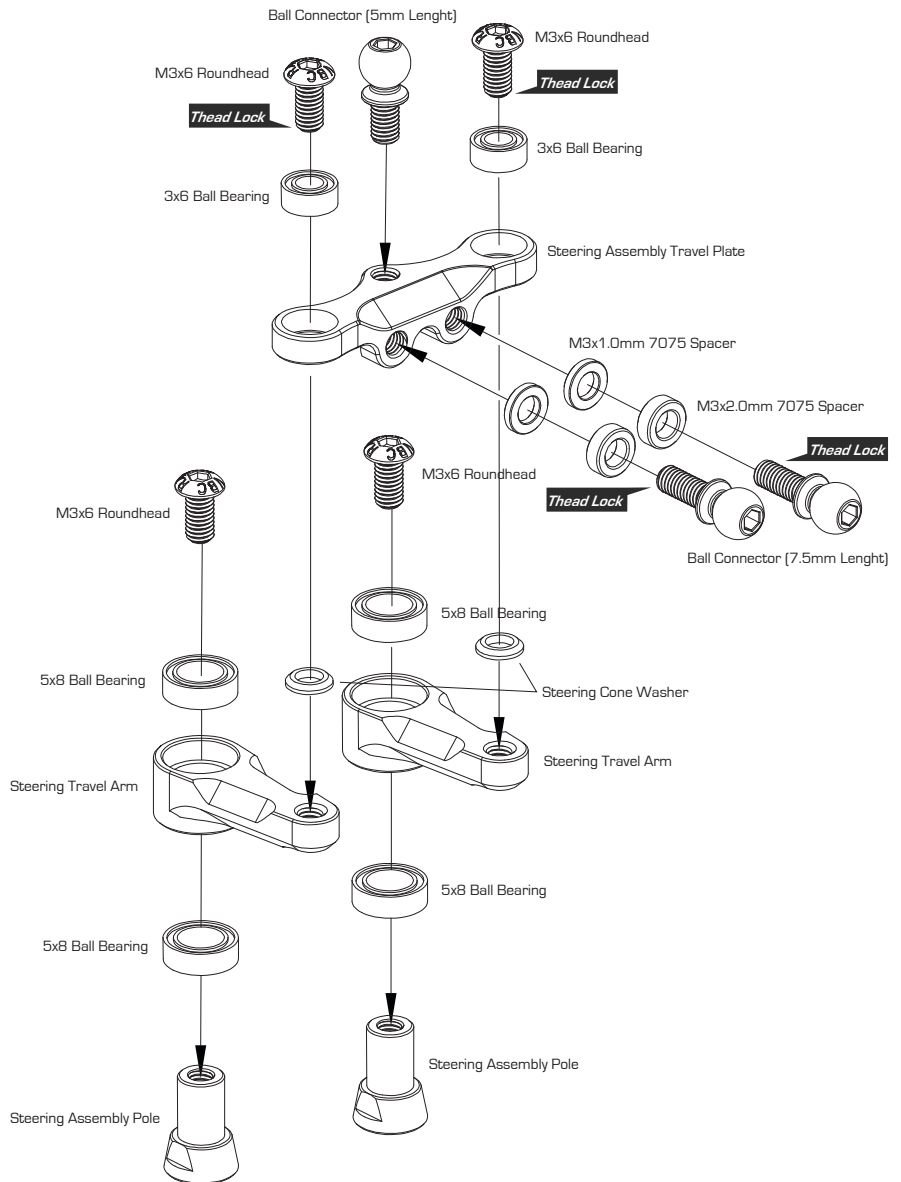
T2 7075 Spacer B-02-VBC-0019-20 x 2



T1 7075 Spacer B-02-VBC-0019-10 x 2



M3x6 Roundhead C-02-SC-R0306 x 4



8



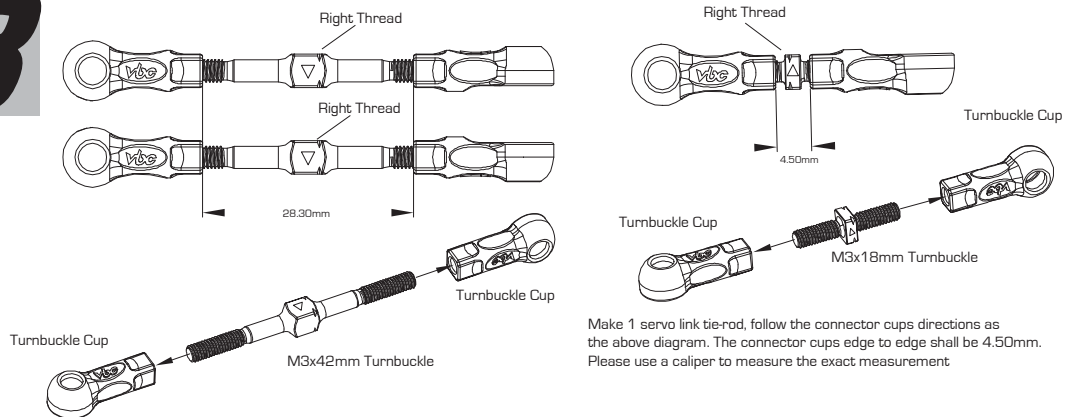
M3x42mm Turnbuckle B-02-VBC-0037 x 2



M3x18mm Turnbuckle B-02-VBC-0038 x 1



Turnbuckle Cup A-03-VBC-0039 x 6



Make 2 steering link tie-rods, follow the connector cups directions as the above diagram. The connector cups edge to edge shall be 28.20mm. Please use a caliper to measure the exact measurement

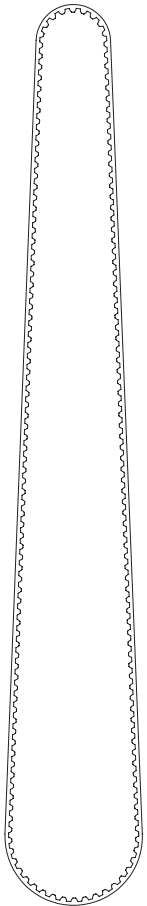
Make 1 servo link tie-rod, follow the connector cups directions as the above diagram. The connector cups edge to edge shall be 4.50mm. Please use a caliper to measure the exact measurement

9

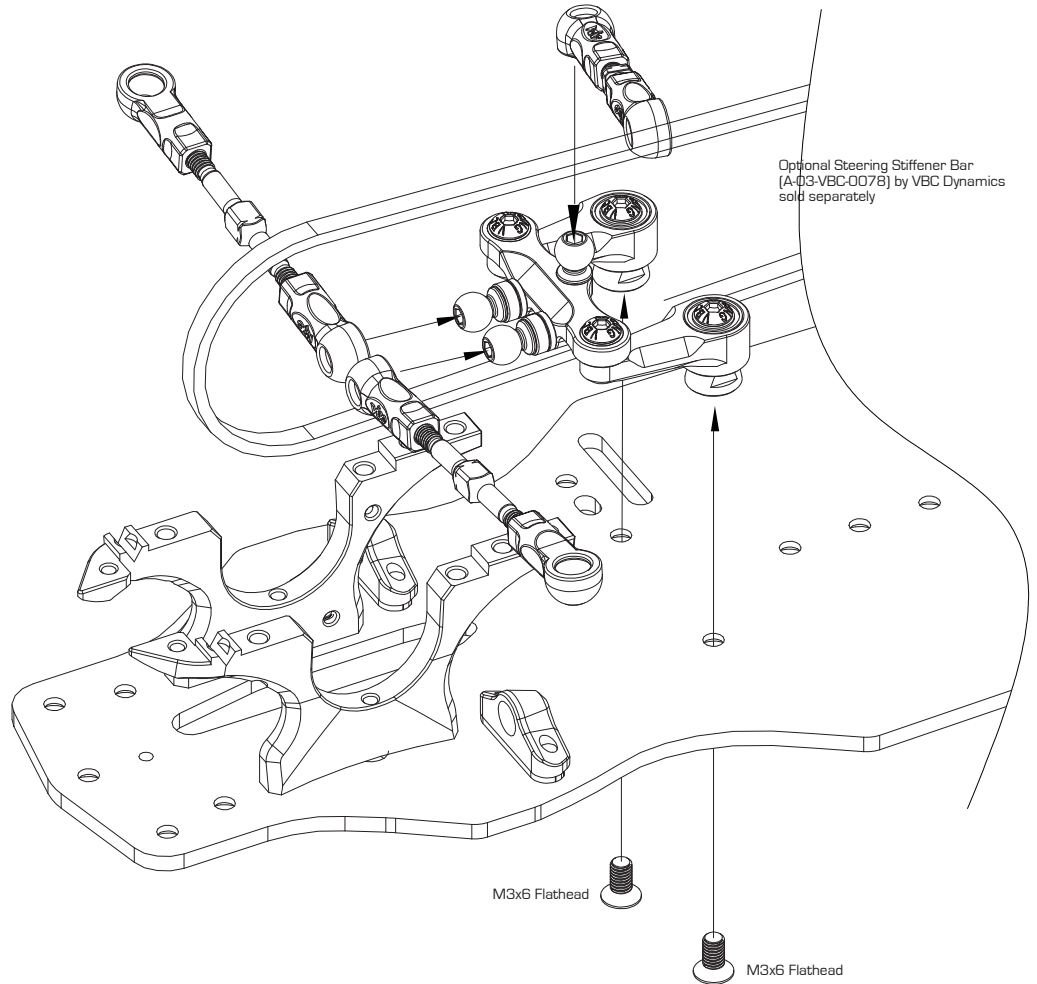
Steering System Assembly



M3x6 Flathead C-02-SC-F0306 x 2



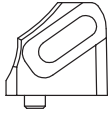
WildFireD06 Front Belt B-03-VBC-3001 x 1



Install the steering unit onto the main chassis with two M3x6 Flathead Screws. Then attach the left and right tie rods to the steering unit. Make sure the front belt is between the two Steering Assembly Poles.

10

Upper Deck Assembly



Belt Tensioner B-02-VBC-3003 x 1



3x6mm Ball Bearing C-02-BB-0603 x 2



3x5x0.3mm Shim B-02-VBC-0101 x 3



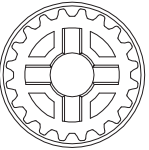
M3x12 Roundhead Screw C-02-SC-R-0312 x 1



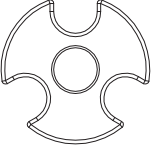
M3x6 Roundhead Screw C-02-SC-R0306 x 1



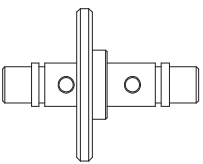
M3 Lock Nut C-02-SC-NN03 x 1



20T Center Pulley A-03-VBC-0023 x 2



Center Pulley Spacer A-03-VBC-0060 x 1



Center Pulley Drive Shaft B-02-VBC-0087 x 1



5x8mm Ball Bearing C-02-BB-0805-B x 2



M3x4 Round Head Screw C-02-SC-R0304 x 3



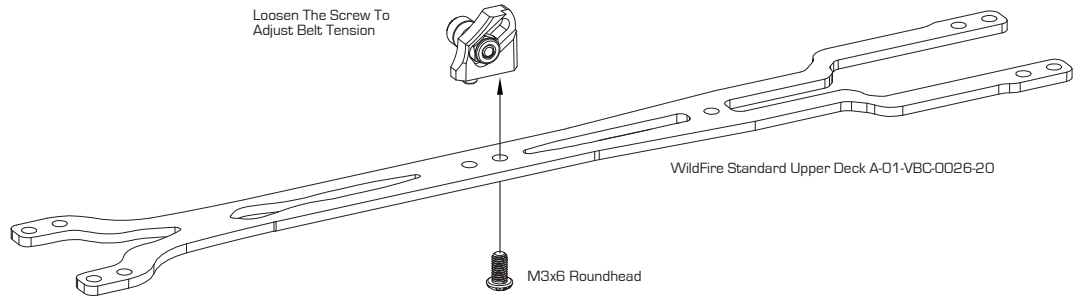
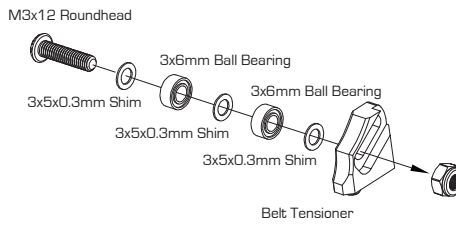
M3x6 Set Screw x 2 C-02-SC-SS-0306



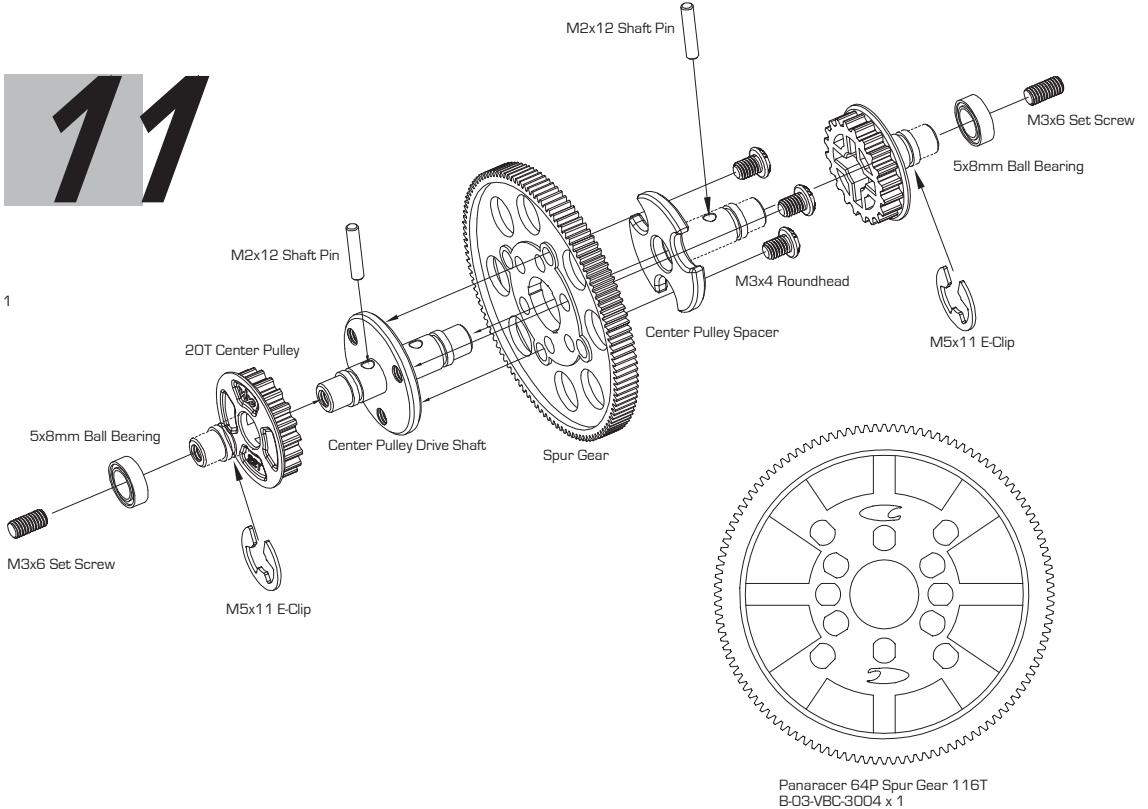
M2x12 Shaft Pin B-02-VBC-0020 x 2



M5x11 E-Clip B-02-VBC-0085 x 2



11



Panaracer 64P Spur Gear 116T B-03-VBC-3004 x 1

12

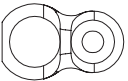
Upper Deck Assembly



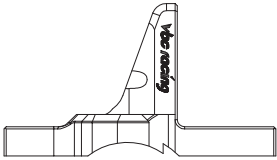
M3x6 Roundhead C-02-SC-R0306 x 9



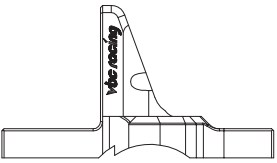
M3x6 Flathead C-02-SC-F0306 x 2



Center Pulley Bearing Holder B-02-VBC-3020 x 2



Upper Bulkhead RL B-02-VBC-3012 x 1



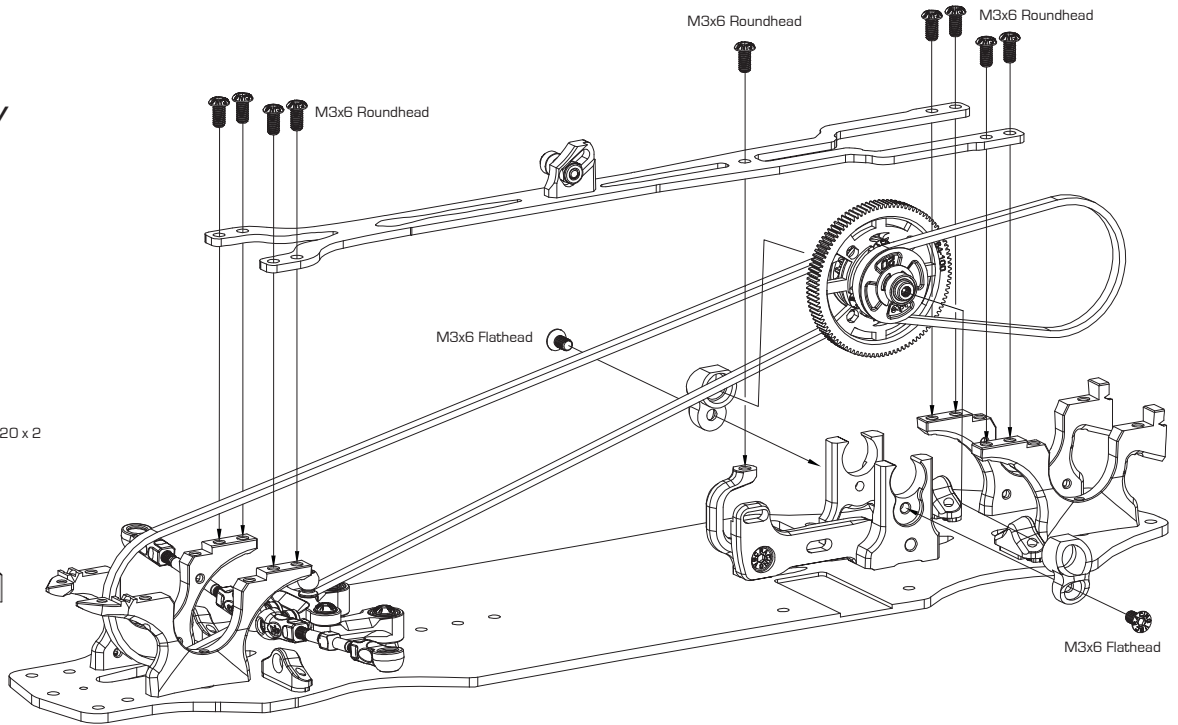
Upper Bulkhead RR B-02-VBC-3011 x 1



Ball Connector (5mm Length) B-02-VBC-3021 x 2

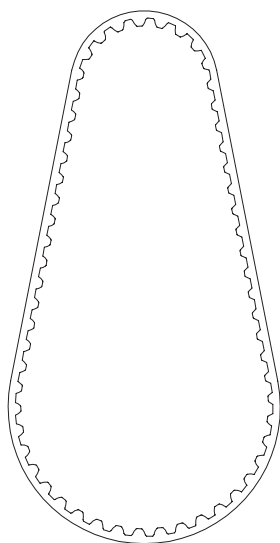


T2 7075 Spacer B-02-VBC-0019-20 x 2

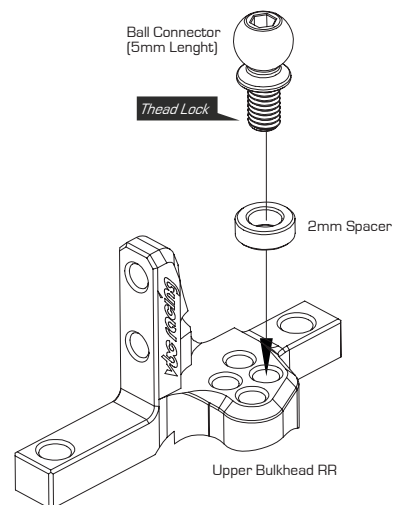
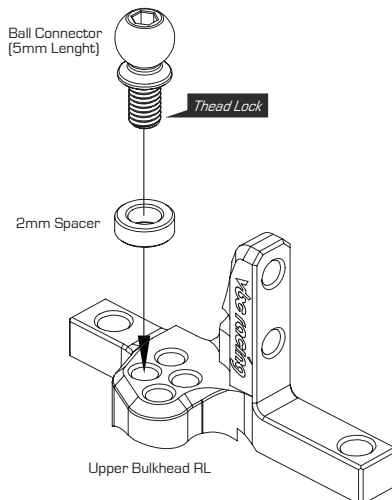


13

Rear Upper Bulkhead Assembly



WildFire Rear Belt B-03-VBC-3002 x 1



14

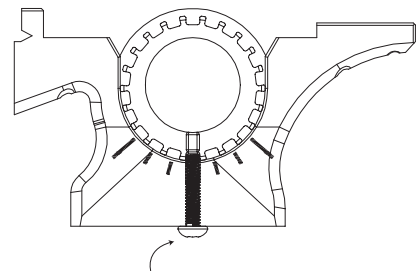
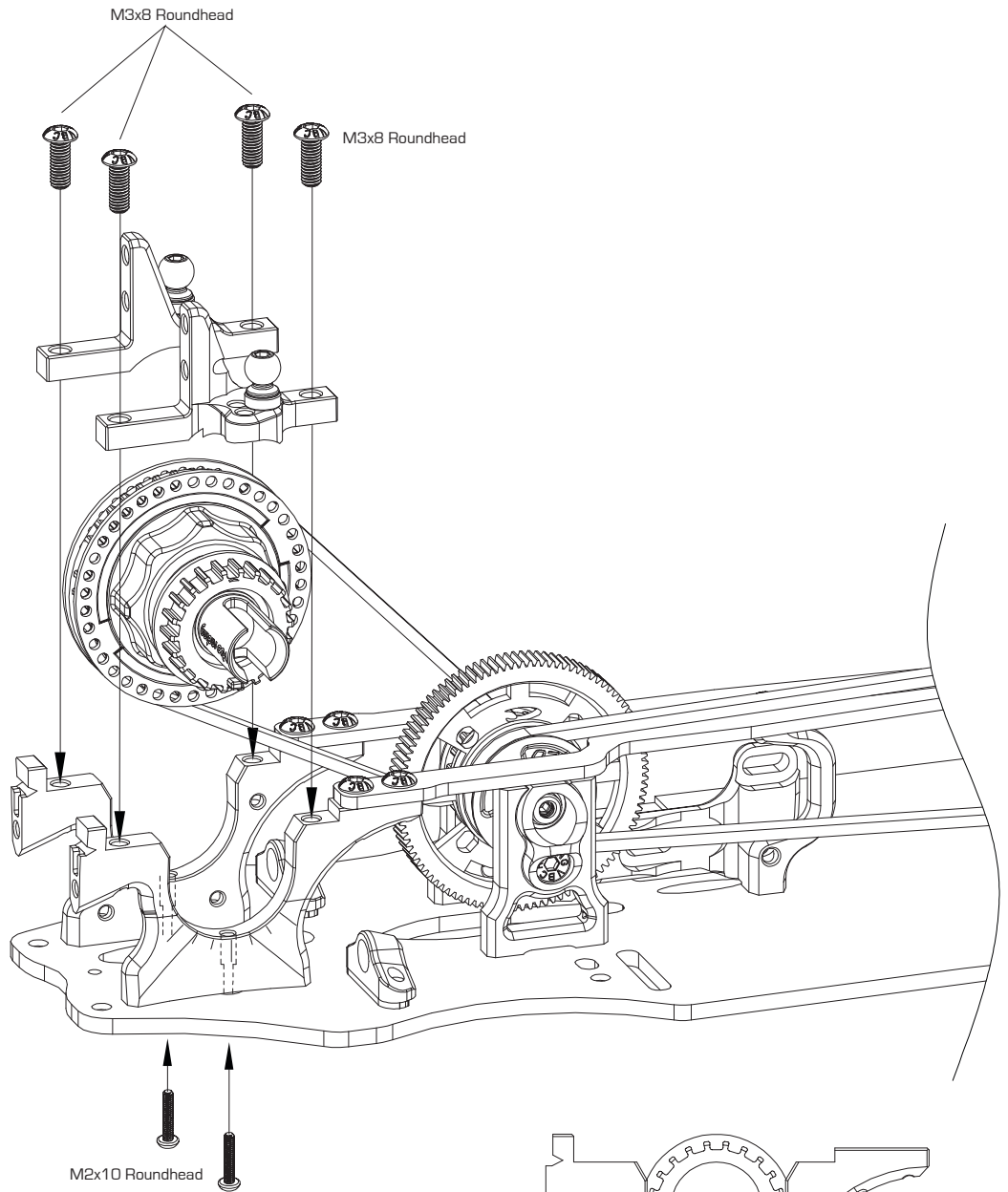
Install Rear Drivetrain



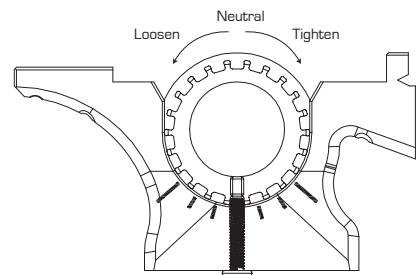
M3x8 Roundhead C-02-SC-R0308 x 4



M2x10 Roundhead C-02-SC-R2.0x10 x 2



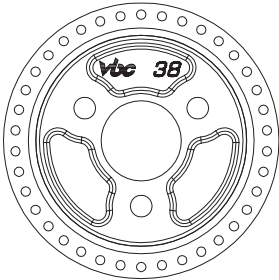
Tighten screw to lock the Belt Tension Adjuster Ring position



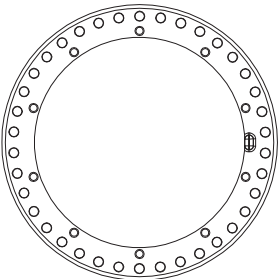
Tighten or loosen the belt tension by adjusting the Belt Tension Adjuster Ring dial

15

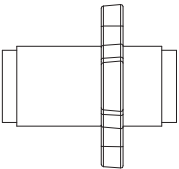
Front Drive Train Assembly - Spool Assembly



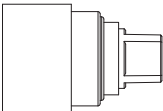
Front Spool 38T A-03-VBC-0021 x 1



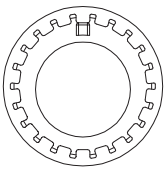
Pulley Belt Guide A-03-VBC-0022 x 1



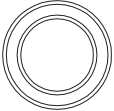
Spool Drive Shaft A-03-VBC-0049 x 1



Front Spool Outdrive A-03-VBC-0055 x 2



Belt Tension Adjuster Ring A-03-VBC-0047 x 2



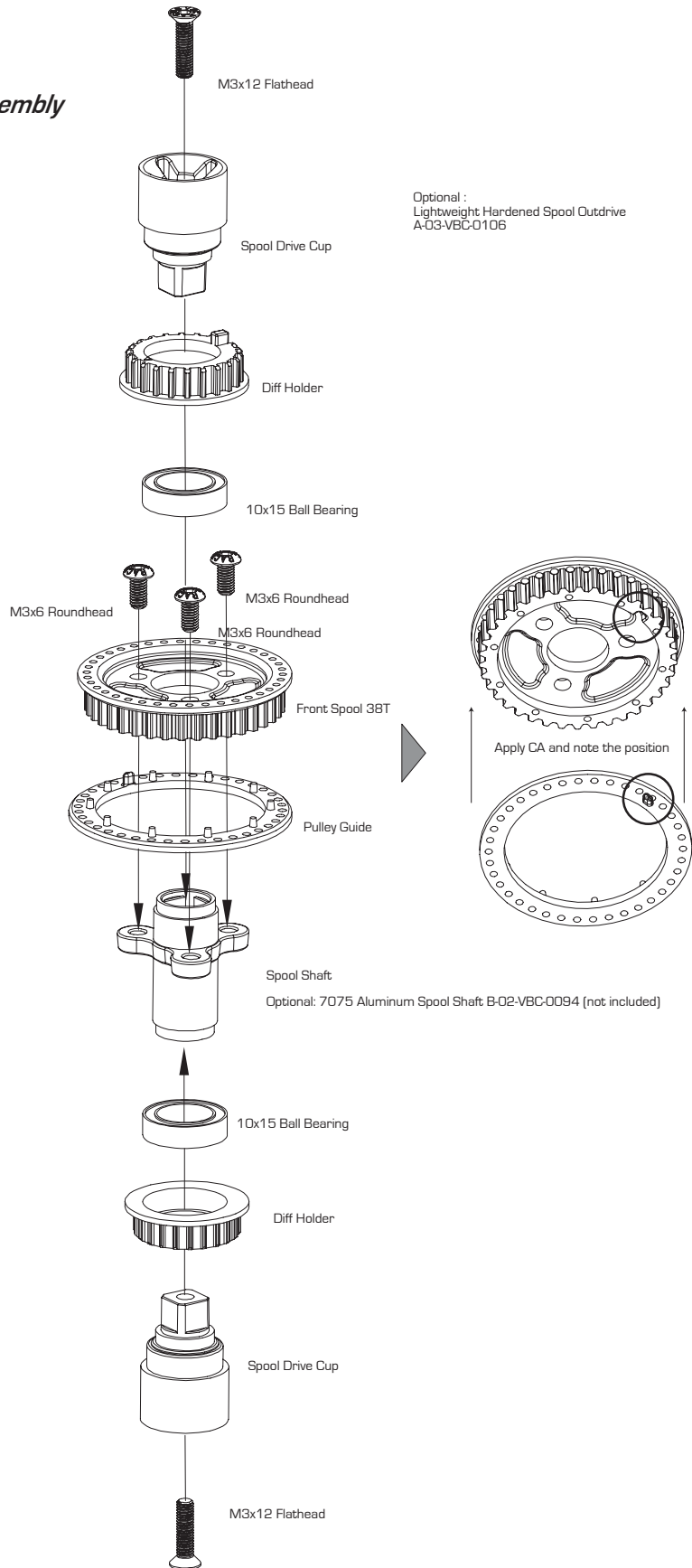
10x15 Ball Bearing C-02-BB-1510P x 2



M3x12 Flathead C-02-SC-F0312 x 2

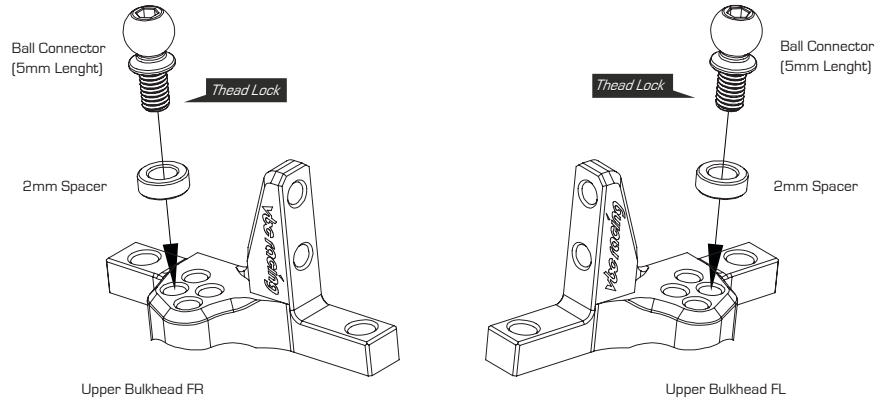
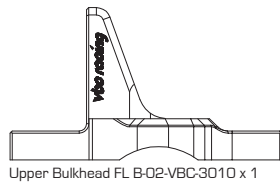
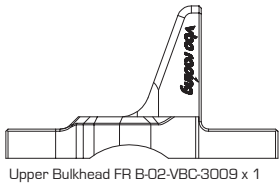


M3x6 Roundhead C-02-SC-R0306 x 3



16

Assemble Front Upper Bulkhead



Ball Connector (5mm Length) B-02-VBC-3021 x 2



T2 7075 Spacer B-02-VBC-0019-20 x 2



M3x8 Roundhead C-02-SC-R0307 x 4

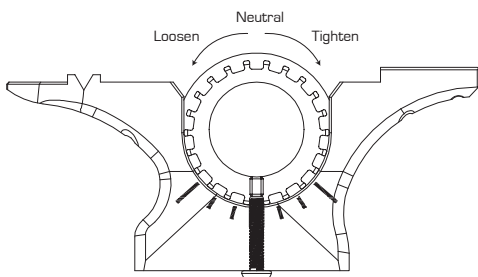
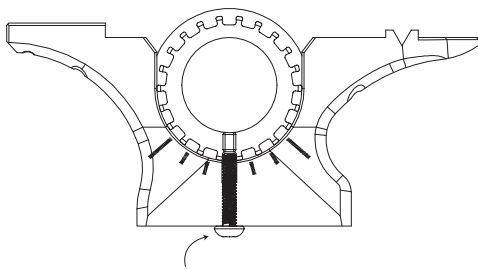
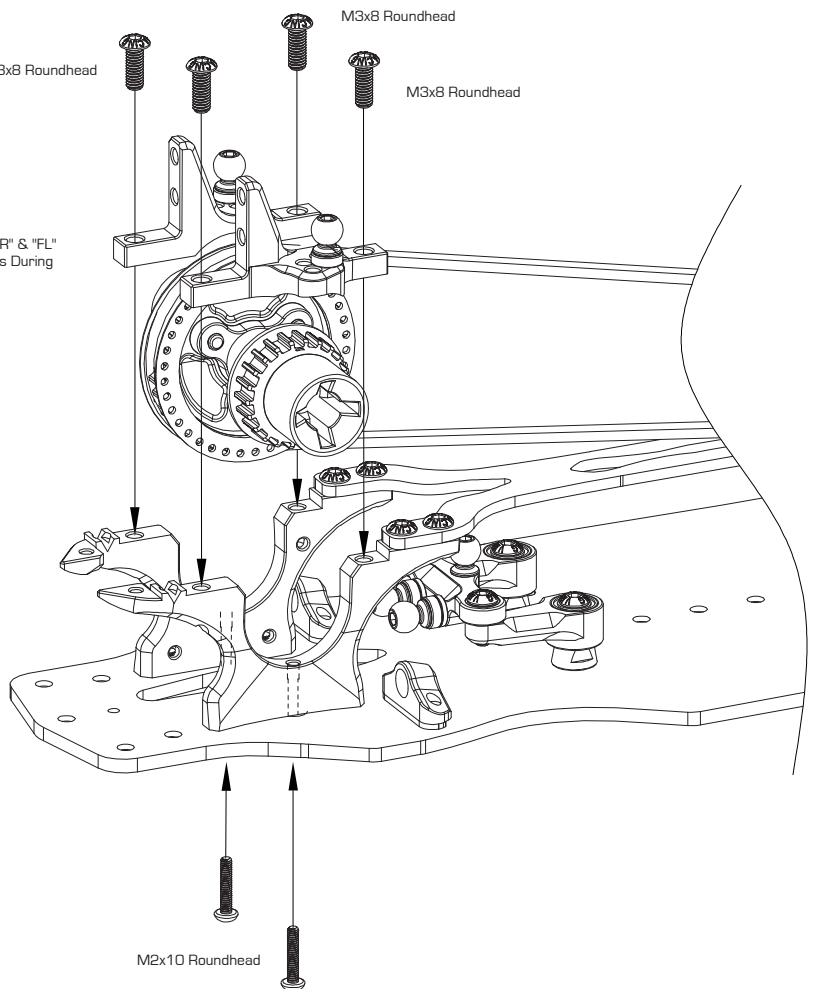


M2x10 Roundhead C-02-SC-R2.0x10 x 2

17

Install Front Drivetrain

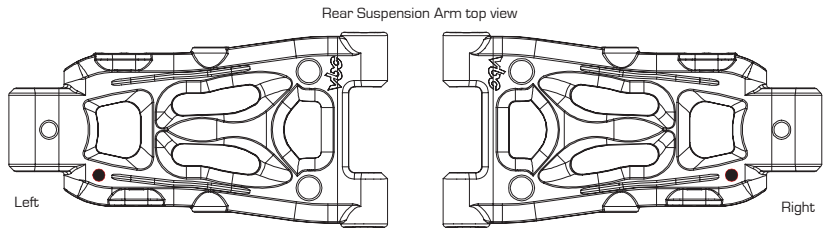
Please Note The "FR" & "FL" Markings Directions During Assembly



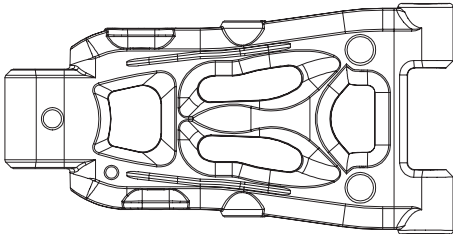
Tighten or loosen the belt tension by adjusting the Belt Tension Adjuster Ring dial

18

Rear Suspension Arm Assembly



Make sure the black markings are in the same direction on the left and right suspension arms



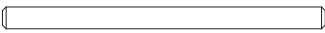
V2 Rear Suspension Arm A-03-VBC-3028 x 2



Suspension Arm Spacer T2 Composite A-03-VBC-0052 x 2



Suspension Arm Spacer T1 Composite A-03-VBC-0051 x 4



Suspension Arm Pin B-02-VBC-0029 x 2



Arm Pin Pivot Ball B-02-VBC-0035 x 2



Ball Connector B-02-VBC-3021 x 2



Ball Connector B-02-VBC-0045 x 2



M3x10 Set Screw C-02-SC-SS-0310 x 2



E30 Suspension Mount B-02-VBC-0061-30 x 1



1mm Suspension Shim A-01-VBC-0037 x 1



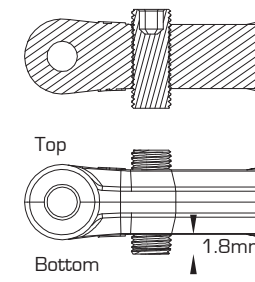
M4x10 Set Screw C-02-SC-SS-0410 x 2



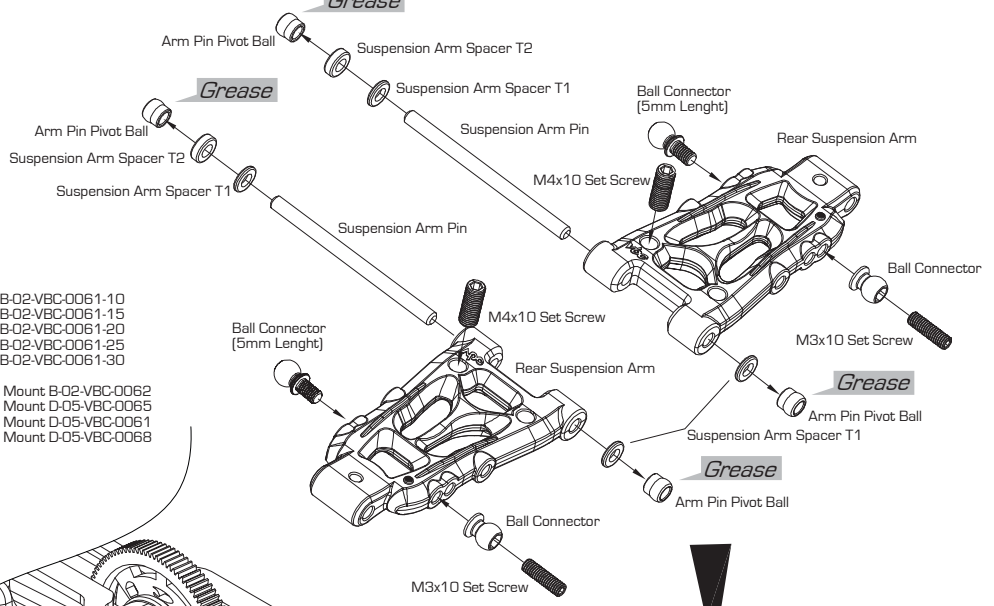
M3x6 Flat Head Screw C-02-SC-F0306 x 2

- Suspension Mount List :
- E10 Suspension Mount B-02-VBC-0061-10
 - E15 Suspension Mount B-02-VBC-0061-15
 - E20 Suspension Mount B-02-VBC-0061-20
 - E25 Suspension Mount B-02-VBC-0061-25
 - E30 Suspension Mount B-02-VBC-0061-30

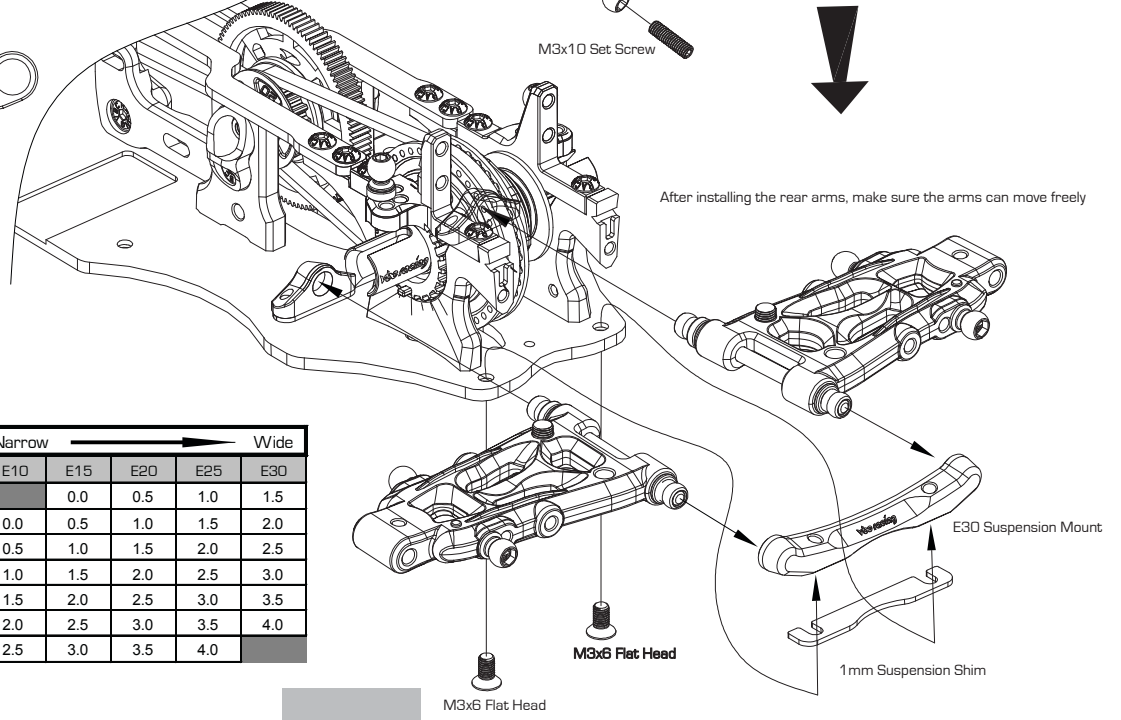
- C00 Center Suspension Mount B-02-VBC-0062
- C05 Center Suspension Mount D-05-VBC-0065
- C10 Center Suspension Mount D-05-VBC-0061
- C15 Center Suspension Mount D-05-VBC-0068



Insert M4x10 Set Screw from the top of the suspension arm for adjusting down stop. Initial setting is 1.8mm measuring from the bottom part of the arm for both sides.



After installing the rear arms, make sure the arms can move freely



Rear Suspension Mount Chart :

		Narrow → Wide				
		E10	E15	E20	E25	E30
Narrow ↓ Wide	X-C15, Y-C15		0.0	0.5	1.0	1.5
	X-C10, Y-C10	0.0	0.5	1.0	1.5	2.0
	X-C05, Y-C05	0.5	1.0	1.5	2.0	2.5
	C0	1.0	1.5	2.0	2.5	3.0
	Y-C05, X-C05	1.5	2.0	2.5	3.0	3.5
	Y-C10, X-C10	2.0	2.5	3.0	3.5	4.0
	Y-C15, X-C15	2.5	3.0	3.5	4.0	

19

Rear Suspension Arm Assembly Part 2

Align the Shaft End Shoe to the Inner Axle Pin hole first and slide the 12mm Shaft Pin to the pin hole before securing the pin with M3x2 Set Screw

Note The Lock Slot Direction

M2x12 Shaft Pin

Optional :
Shaft End Shoe (Self Lubricating)
A-03-VBC-0077

Shaft End Shoe

Thread Lock

M3x2 Set Screw

Grease

Axle Joint

Grease

Inner Axle

Axle Lock Spring

Wheel Axle

M2x10 Shaft Pin

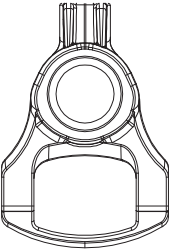
Rear Suspension Upright

Ball Connector

T1 7075 Spacer

5x10mm Ball Bearings

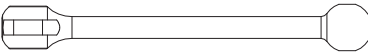
5x10mm Ball Bearings



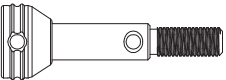
Rear Suspension Upright A-03-VBC-0037 x 2



Shaft End Shoe A-03-VBC-0038 x 2



Inner Axle B-02-VBC-0024 x 2



Wheel Axle B-02-VBC-0025 x 2



Axle Joint B-02-VBC-0026 x 2



Axle Lock Spring B-02-VBC-0027 x 2



5x10mm Ball Bearings C-02-BB-1005-P x 4



M2x12 Shaft Pin B-02-VBC-3035 x 2



M2x10 Shaft Pin B-02-VBC-0020 x 4



M3x10 Set Screw C-02-SC-SS-0310 x 2



M3x2 Set Screw C-02-SC-SS-0302 x 2



M1.6x4 Screw C-02-SC-R1.6x4 x 2



0 Offset Hex Wheel Hub B-02-VBC-0051 x 2



Ball Connector (7.5mm Length) B-02-VBC-3022 x 2



T2 7075 Spacer B-02-VBC-0019-20 x 2

Joint cross section

Wheel Axle

Axle Lock Spring

Make sure the Axle Lock Spring is place correctly onto the Wheel Axle

Ball Connector (7.5mm Length)

T2 7075 Spacer

5x10mm Ball Bearings

Align the Shaft End Shoe to the Inner Axle Pin hole first and slide the 12mm Shaft Pin to the pin hole before securing the pin with M3x2 Set Screw

Grease

Axle Lock Spring

5x10mm Ball Bearings

Rear Suspension Upright

Grease

Grease

Axle Joint

Wheel Axle

M2x10 Shaft Pin

Inner Axle

M2x12 Shaft Pin

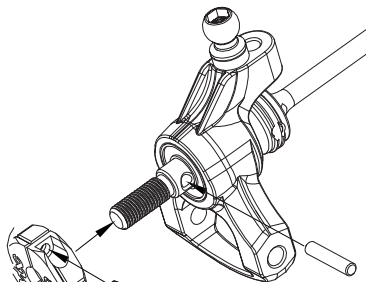
Note The Lock Slot Direction

Shaft End Shoe

Thread Lock

M3x2 Set Screw

After assembling the drive shaft, make sure the joints are free swinging.



0 Offset Hex Wheel Hub

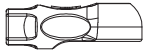
M1.6x4 Screw

M2x10 Shaft Pin

Do not over tighten the M1.6x4 screw to prevent stripping

20

Rear Suspension Arm Assembly Part 3



Turnbuckle Cup A-03-VBC-0039 x 2



Turnbuckle Cup S A-03-VBC-0056 x 2



M3x32mm Turnbuckle B-02-VBC-0036 x 2



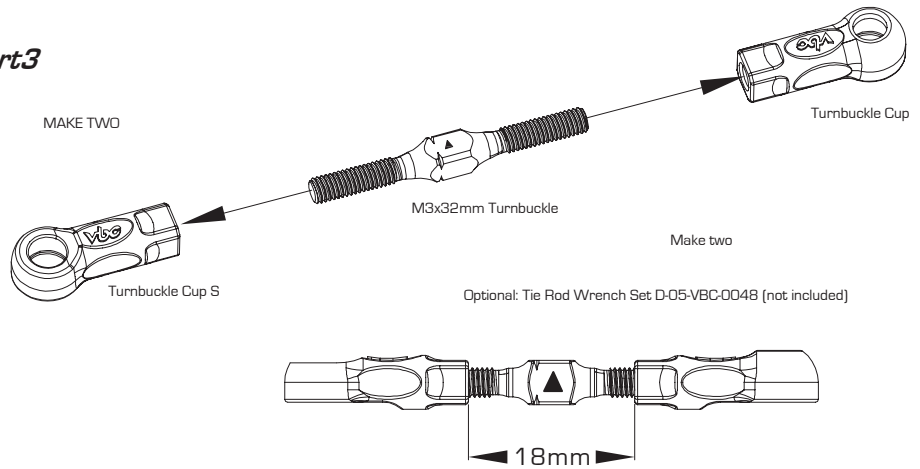
M3x23 Upright Pin B-02-VBC-0032 x 2



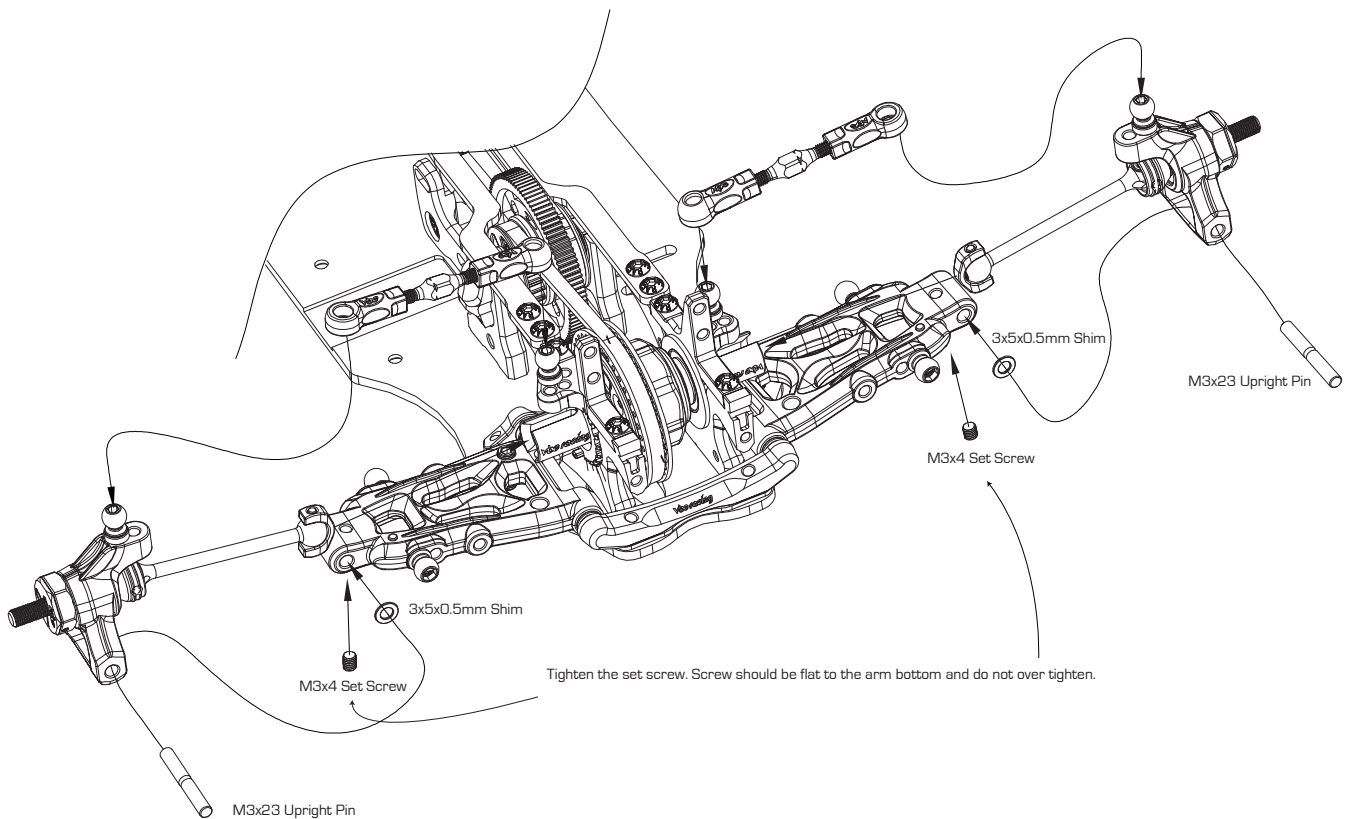
3x5x0.5mm Shim B-02-VBC-0019-05 x 2



M3x4 Set Screw C-02-SC-SS-0304 x 2

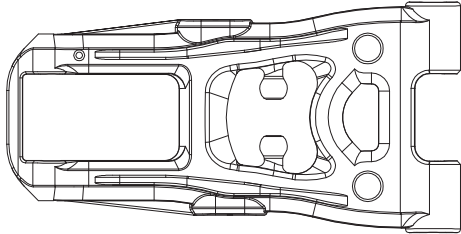


Make sure the turnbuckle caps move freely after snapped to the ball connector

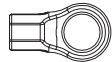


21

Front Suspension Assembly Part 1



V2 Front Suspension Arm A-03-VBC-3027 x 2



Turnbuckle Cup Open Type L A-03-VBC-0041 x 2



Turnbuckle Cup Open Type S A-03-VBC-0040 x 2



Suspension Arm Spacer T2 A-03-VBC-0052 x 2



Suspension Arm Spacer T1 A-03-VBC-0051 x 2



Suspension Arm Pin B-02-VBC-0029 x 2



Ball Connector B-02-VBC-0045 x 4



Arm Pin Pivot Ball B-02-VBC-0035 x 4

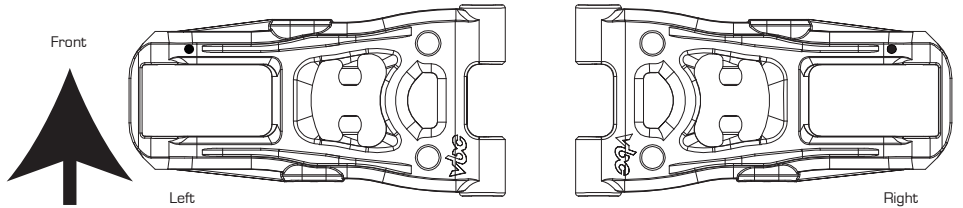


M4x10 Set Screw C-02-SC-SS-0410 x 2



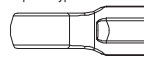
M3x10 Set Screw C-02-SC-SS-0310 x 4

Front Suspension Arms top view



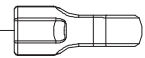
Make sure the black markings are in the same direction on the left and right suspension arms

Ball Connector Open Type S

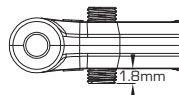


M3x10 Set Screw

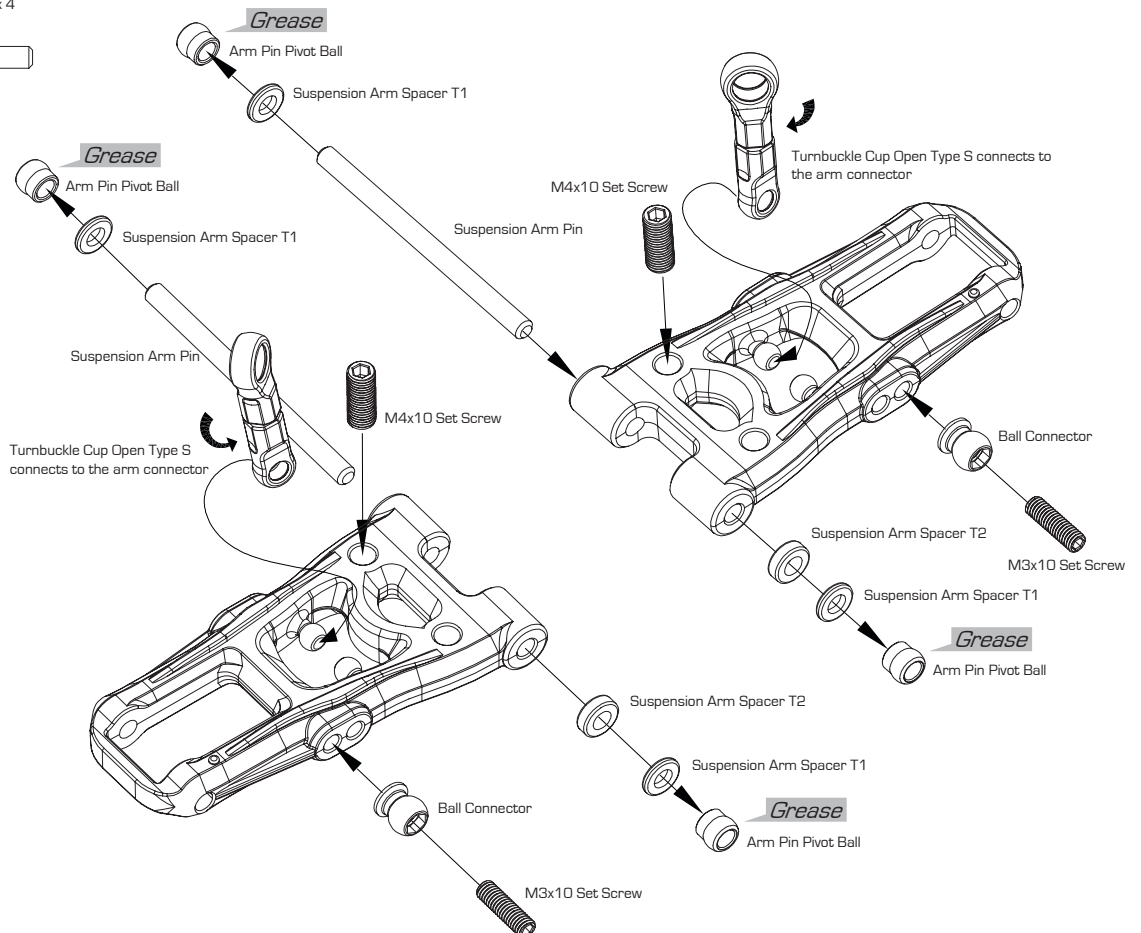
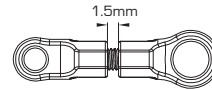
Ball Connector Open Type L



Make 2 sets

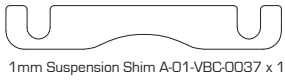


Insert M4x10 Set Screw from the top of the suspension arm for adjusting down stop. Initial setting is 1.8mm measuring from the bottom part of the arm for both sides.



22

Front Suspension Assembly Part 2



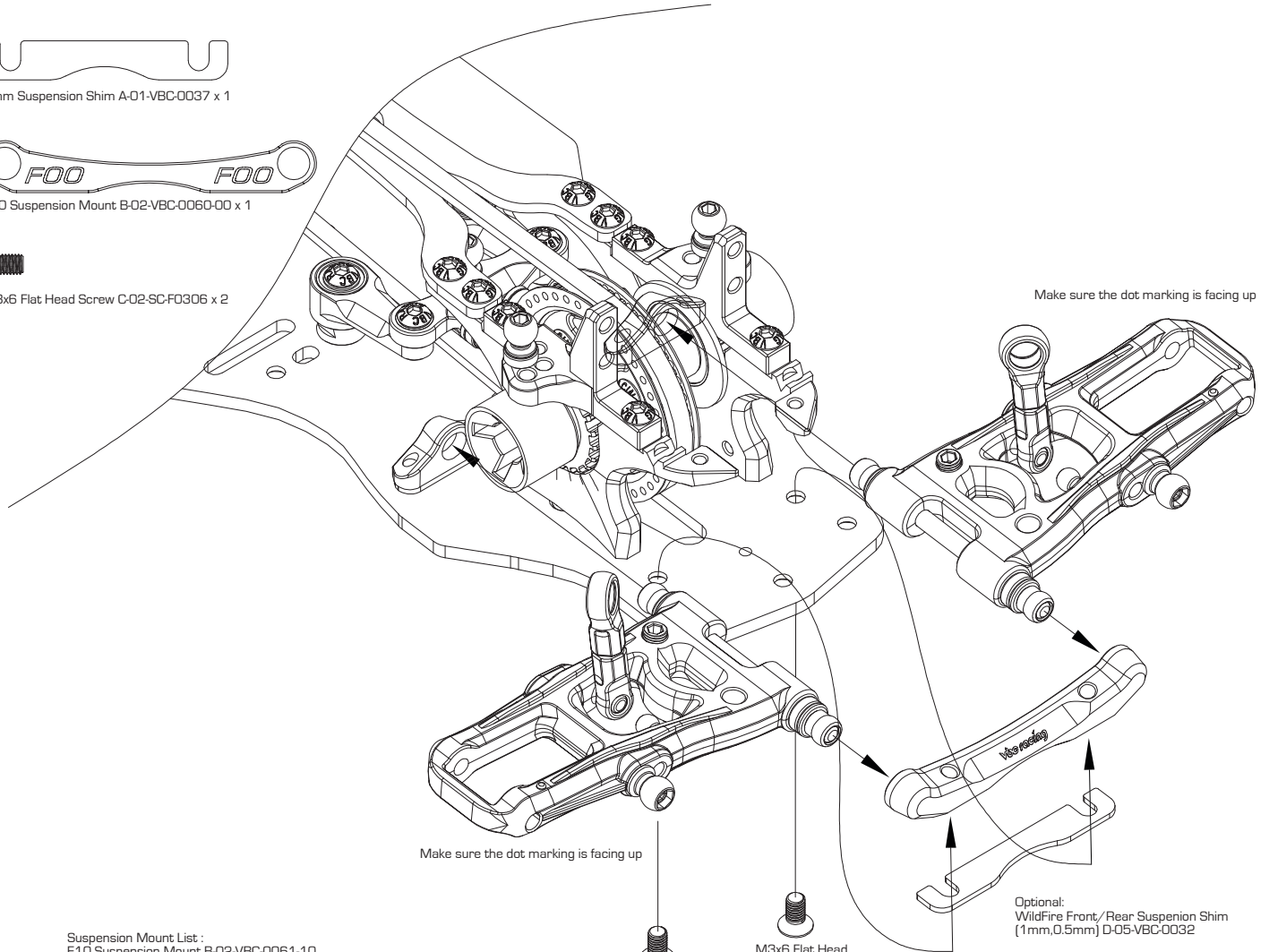
1mm Suspension Shim A-01-VBC-0037 x 1



F00 Suspension Mount B-02-VBC-0060-00 x 1



M3x6 Flat Head Screw C-02-SC-F0306 x 2



- Suspension Mount List :
- E10 Suspension Mount B-02-VBC-0061-10
 - E15 Suspension Mount B-02-VBC-0061-15
 - F00 Suspension Mount B-02-VBC-0060-00
 - F05 Suspension Mount B-02-VBC-0060-05
 - F10 Suspension Mount B-02-VBC-0060-10

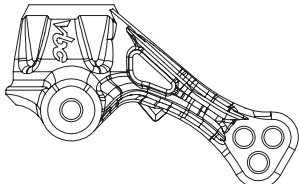
- C00 Center Suspension Mount B-02-VBC-0062
- C05 Center Suspension Mount D-05-VBC-0065
- C10 Center Suspension Mount D-05-VBC-0061
- C15 Center Suspension Mount D-05-VBC-0068

Front Suspension Mount Chart :

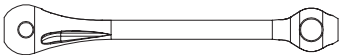
		Narrow ← → Wide				
		E10	E15	F00	F05	F10
Narrow ↓ Wide	X-C15, Y-C15	-0.5	-1.0	-1.5	-2.0	-2.5
	X-C10, Y-C10	0.0	-0.5	-1.0	-1.5	-2.0
	X-C05, Y-C05		0.0	-0.5	-1.0	-1.5
	C0			0.0	-0.5	-1.0
	Y-C05, X-C05				0.0	-0.5
	Y-C10, X-C10					0.0
Y-C15, X-C15						

23

Front Suspension Assembly Part 3



Steering Block Version 2 A-03-VBC-0079 x 2



Inner Axle for Two-Piece Joint Drive Axle A-03-VBC-0069 x 2



Wheel Axle for Two-Piece Joint Drive Axle A-03-VBC-0070 x 2



Axle Inner Joint for Two-Piece Drive A-03-VBC-0087 x 4



Axle Lock Spring A-03-VBC-0072 x 4



Axle Joint for Two-Piece Joint Drive Axle A-03-VBC-0071 x 2



M1.7x8 Shaft Pin A-03-VBC-0073 x 4



5x10x3mm Ball Bearing C-02-BB-1053-B x 2



5x10x4mm Ball Bearing C-02-BB-1005-P x 2



M2x10 Shaft Pin B-02-VBC-3035 x 2



M3x2 Set Screw C-02-SS-SS-0302 x 2



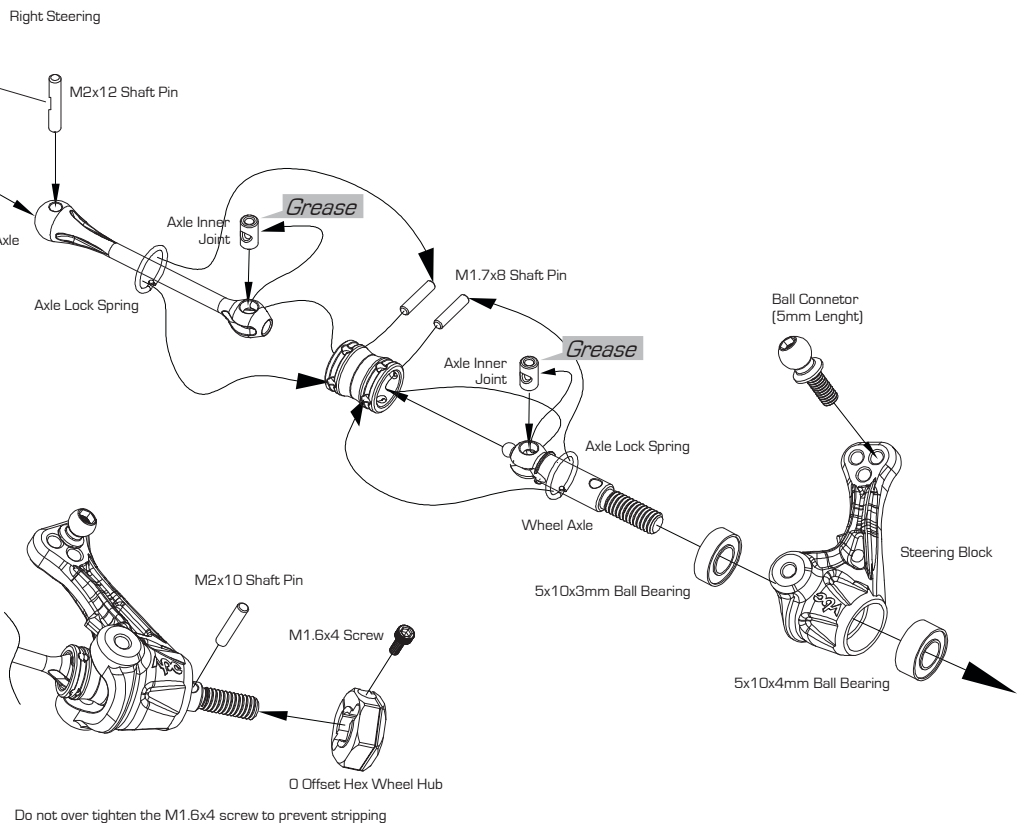
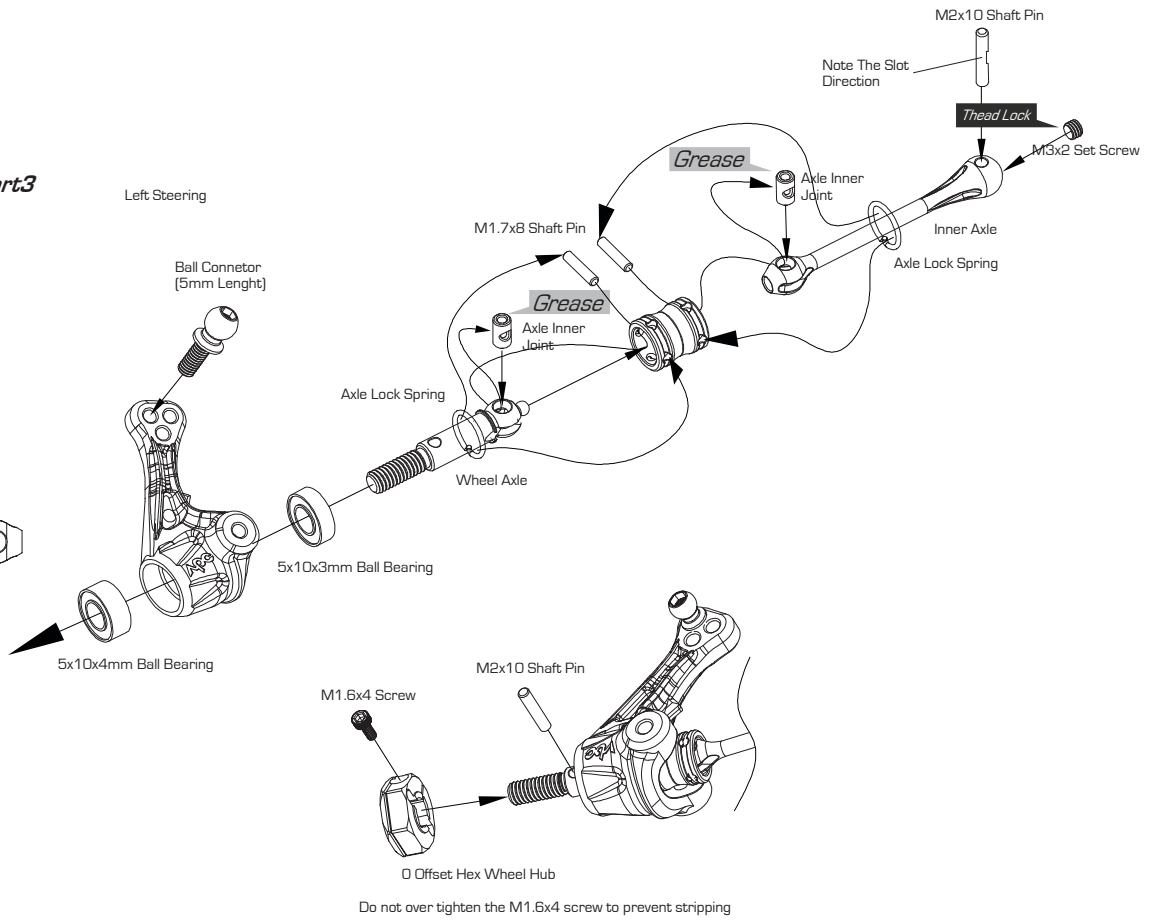
M1.6x4 Screw C-02-SC-R1.6x4 x 2



O Offset Hex Wheel Hub B-02-VBC-0051 x 2

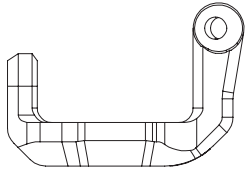


Ball Connector (5mm Length) B-02-VBC-0021 x 2

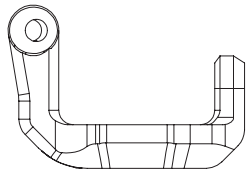


24

Front Suspension Assembly Part 4



Right C-Hub Version 2 A-03-VBC-0104 x 1



Left C-Hub Version 2 A-03-VBC-0105 x 1



Turnbuckle Cup A-03-VBC-0039 x 2



Turnbuckle Cup S A-03-VBC-0056 x 2



Ball Connector B-02-VBC-0045 x 2



M3x32mm Turnbuckle B-02-VBC-0036 x 2



3x23 Upright Pin B-02-VBC-0032 x 2



Steering Swivel Tube B-02-VBC-0033 x 4



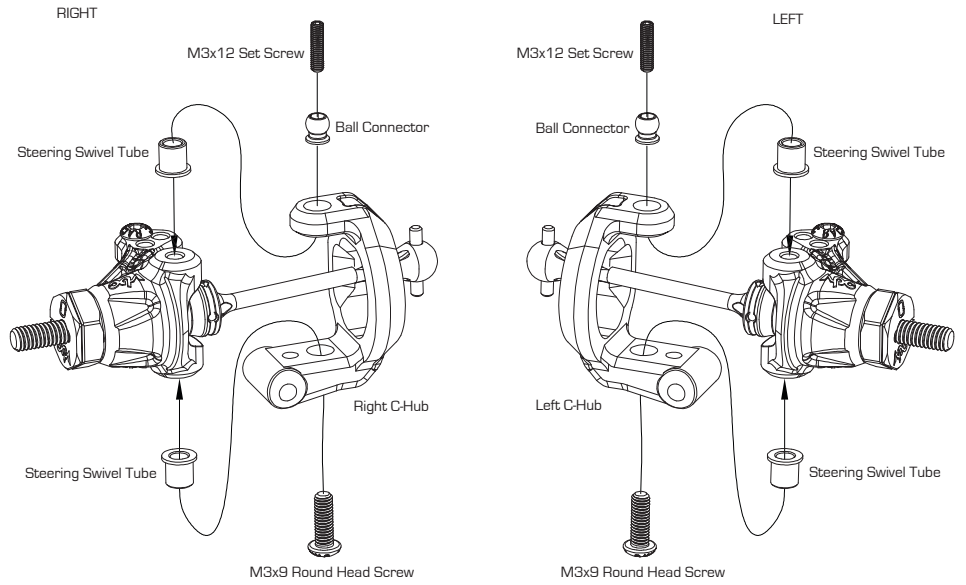
M3x12 Set Screw C-02-SC-SS-0312 x 2



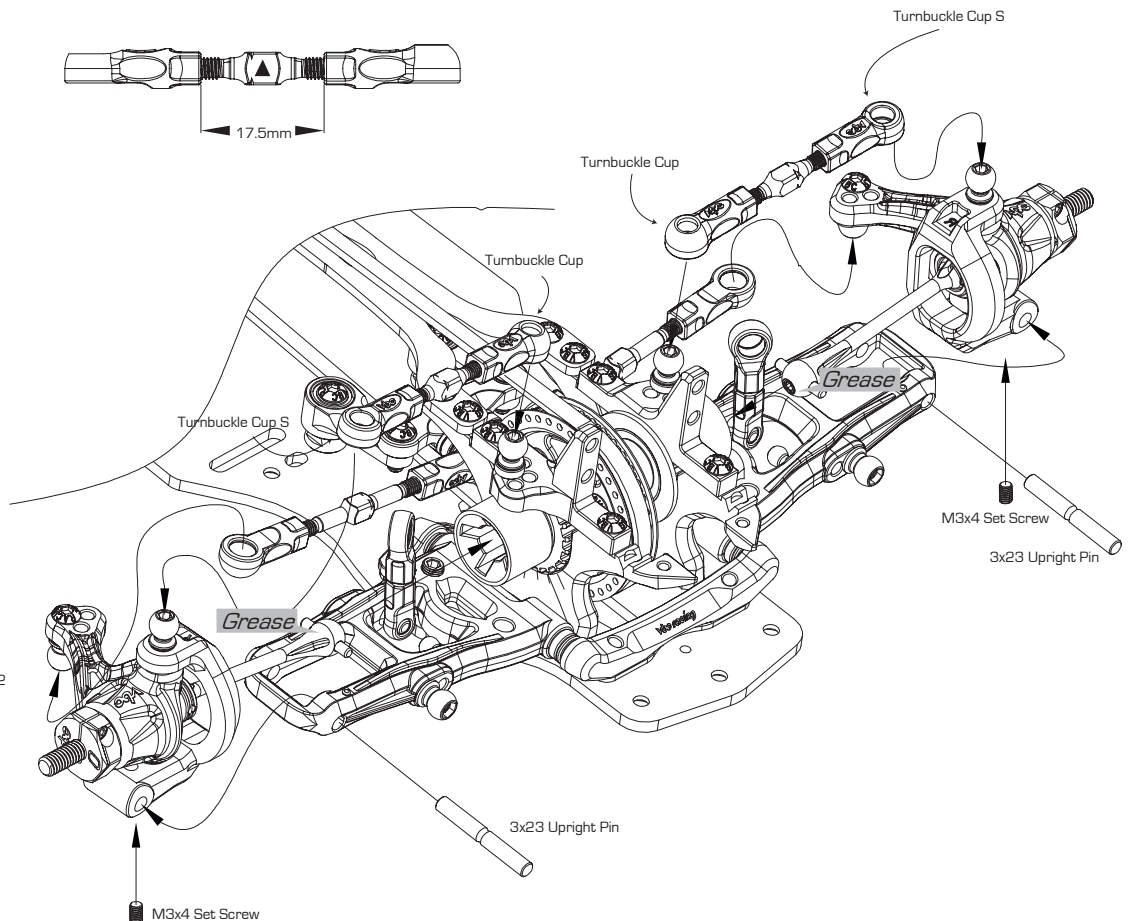
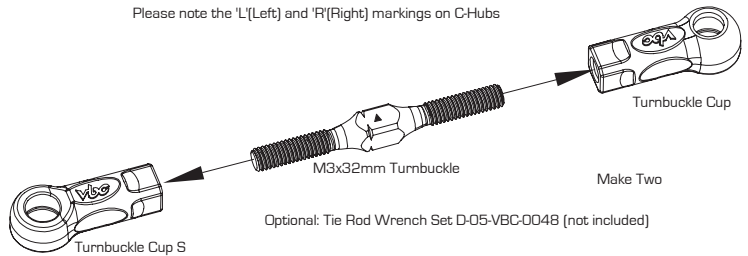
M3x4 Set Screw C-02-SC-SS-0304 x 2



M3x9 Round Head Screw C-02-SC-R0309 x 2

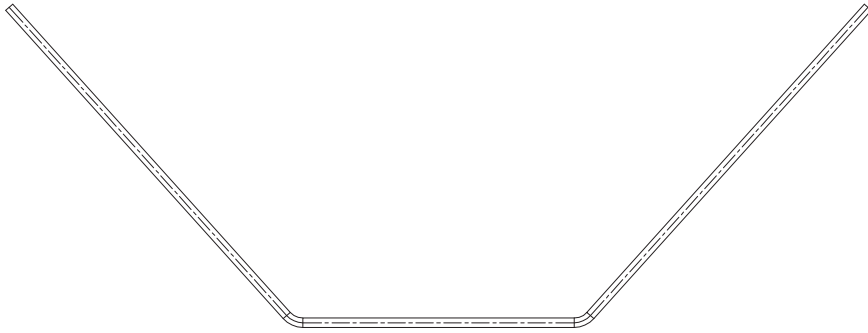


Please note the 'L'(Left) and 'R'(Right) markings on C-Hubs

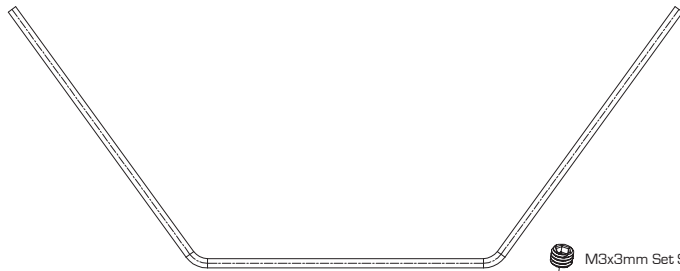


25

Front and Rear Stabilizers



Rear Stabilizer 1.3 B-02-VBC-0075-13 x 1



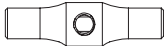
Front Stabilizer 1.3 B-02-VBC-0074-13 x 1



Stabilizer Connector B-02-VBC-0047 x 4

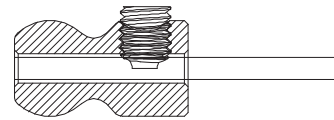


M3x3mm Set Screw C-02-SC-SS-0303 x 6

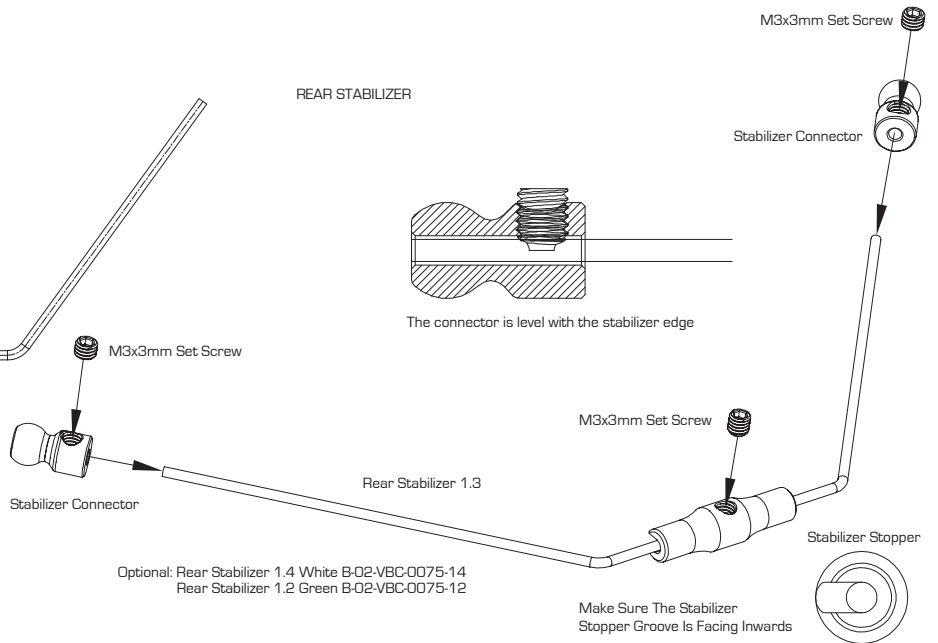


Stabilizer Stopper B-02-VBC-3025 x 2

REAR STABILIZER



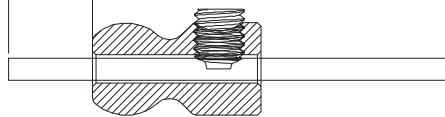
The connector is level with the stabilizer edge



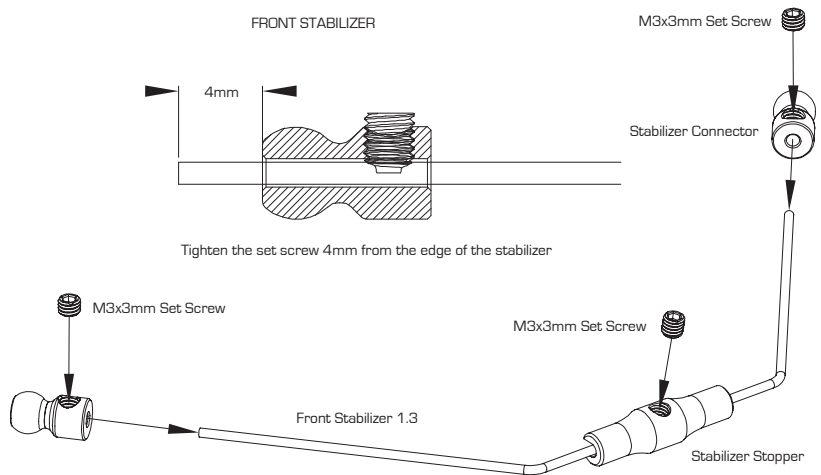
Optional: Rear Stabilizer 1.4 White B-02-VBC-0075-14
Rear Stabilizer 1.2 Green B-02-VBC-0075-12

FRONT STABILIZER

4mm



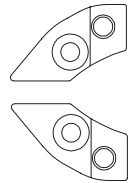
Tighten the set screw 4mm from the edge of the stabilizer



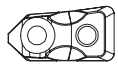
Optional :
Front Stabilizer 1.4 White B-02-VBC-0074-14
Front Stabilizer 1.2 Green B-02-VBC-0074-12

26

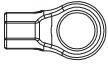
Install Front and Rear Stabilizers



Stabilizer Mount (Front) B-02-VBC-0023 x 2



Stabilizer Mount (Rear) B-02-VBC-0024 x 2



Turnbuckle Cup Open Type L A-03-VBC-0041 x 4

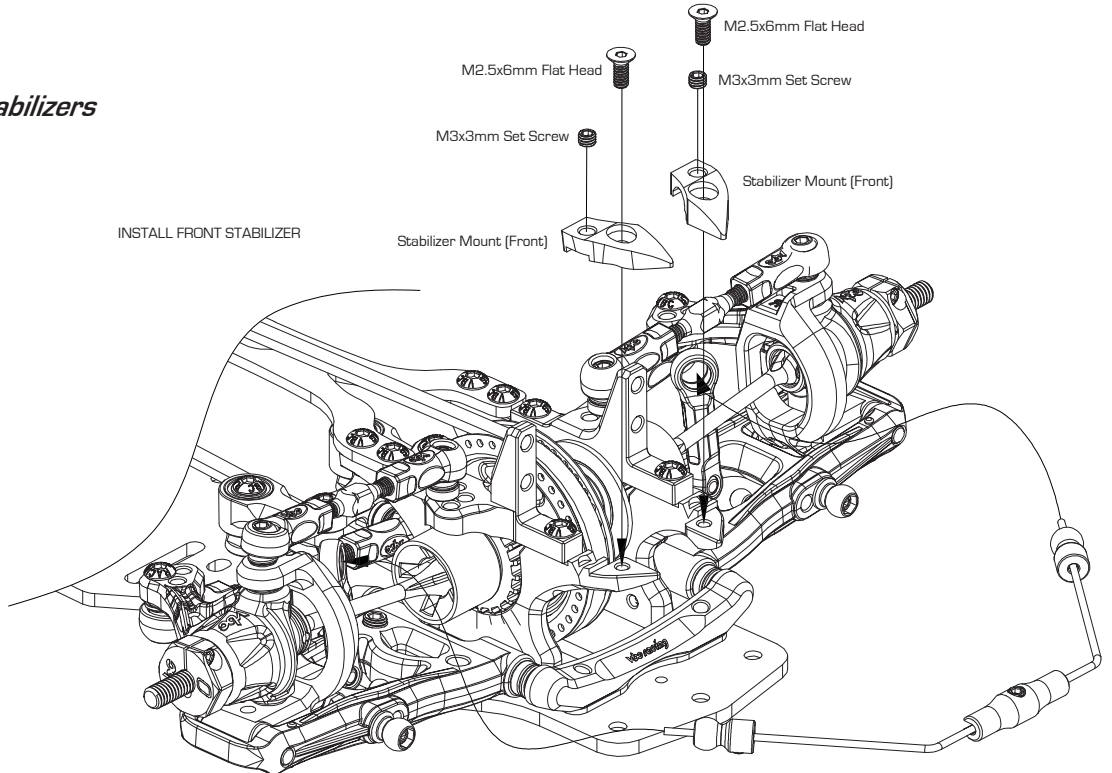


M3x3mm Set Screw C-02-SC-SS-0303 x 4

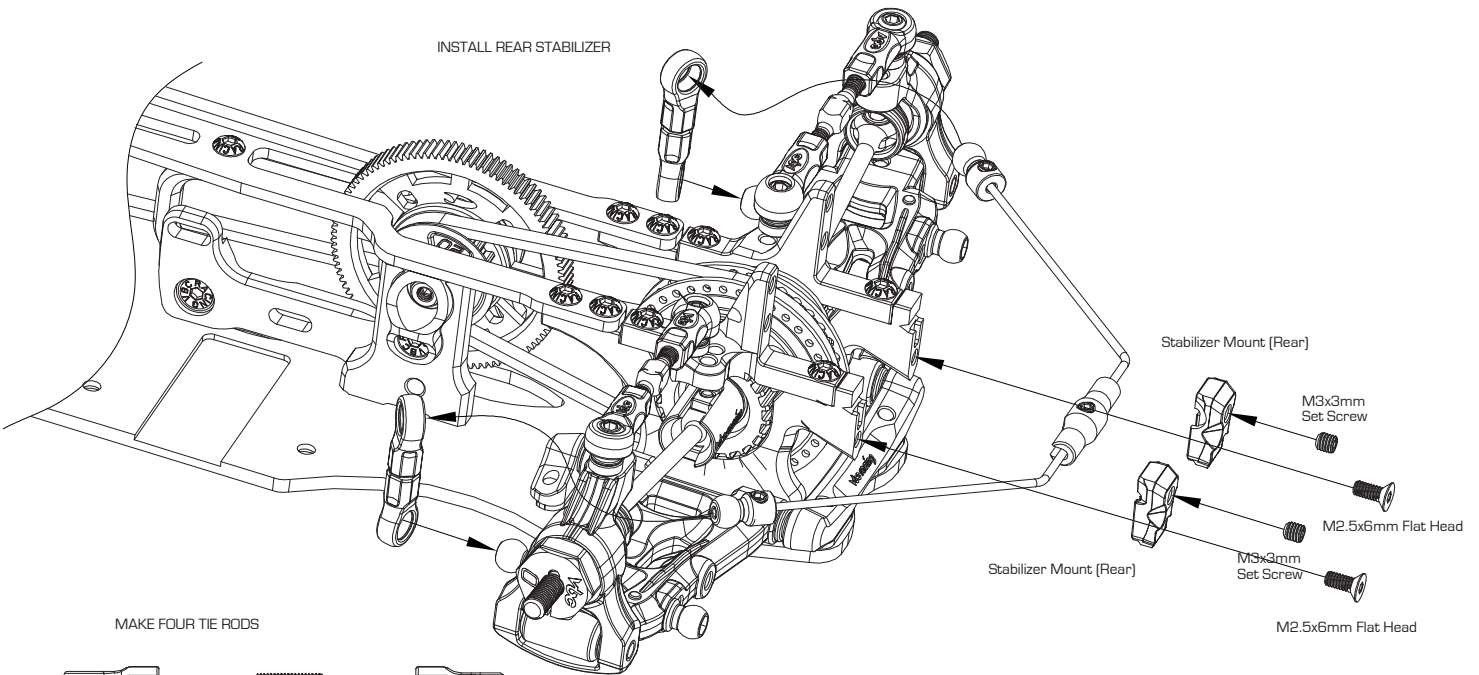


M2.5x6mm Flat Head Screw C-02-SC-F0256 x 4

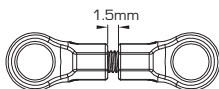
INSTALL FRONT STABILIZER



INSTALL REAR STABILIZER

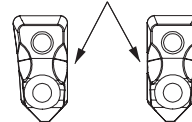


MAKE FOUR TIE RODS



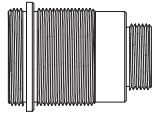
Note the double ring face to ball connector

Note The Rear Stabilizer Mount Left And Right Direction

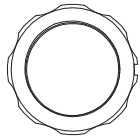


27

Assemble Oil Shocks



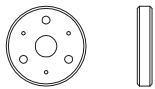
TBB Shock Body B-02-VBC-0120 x 4



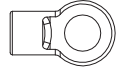
TBB Shock Height Adjuster B-02-VBC-0121 x 4



TBB Shock Bottom Cap A-03-VBC-0122 x 4



TBB Shock Piston (3 holes) A-03-VBC-0123 x 4



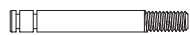
TBB Shock Bottom Connector A-03-VBC-0124 x 4



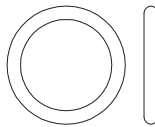
TBB Shaft Cap B-03-VBC-0125 x 4



TBB Shaft Guide A-03-VBC-0126 x 4



TBB Shock Shaft B-03-VBC-0127 x 4



Sealer O-Ring (Shock Height Adjuster) B-03-VBC-0128 x 4

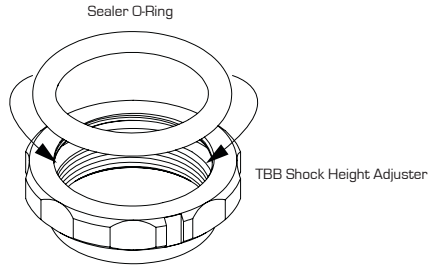


Shaft Sealer O-Ring B-03-VBC-0012 x 4



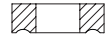
M2 E-Clip B-02-VBC-0129 x 8

MAKE 4 SHOCKS

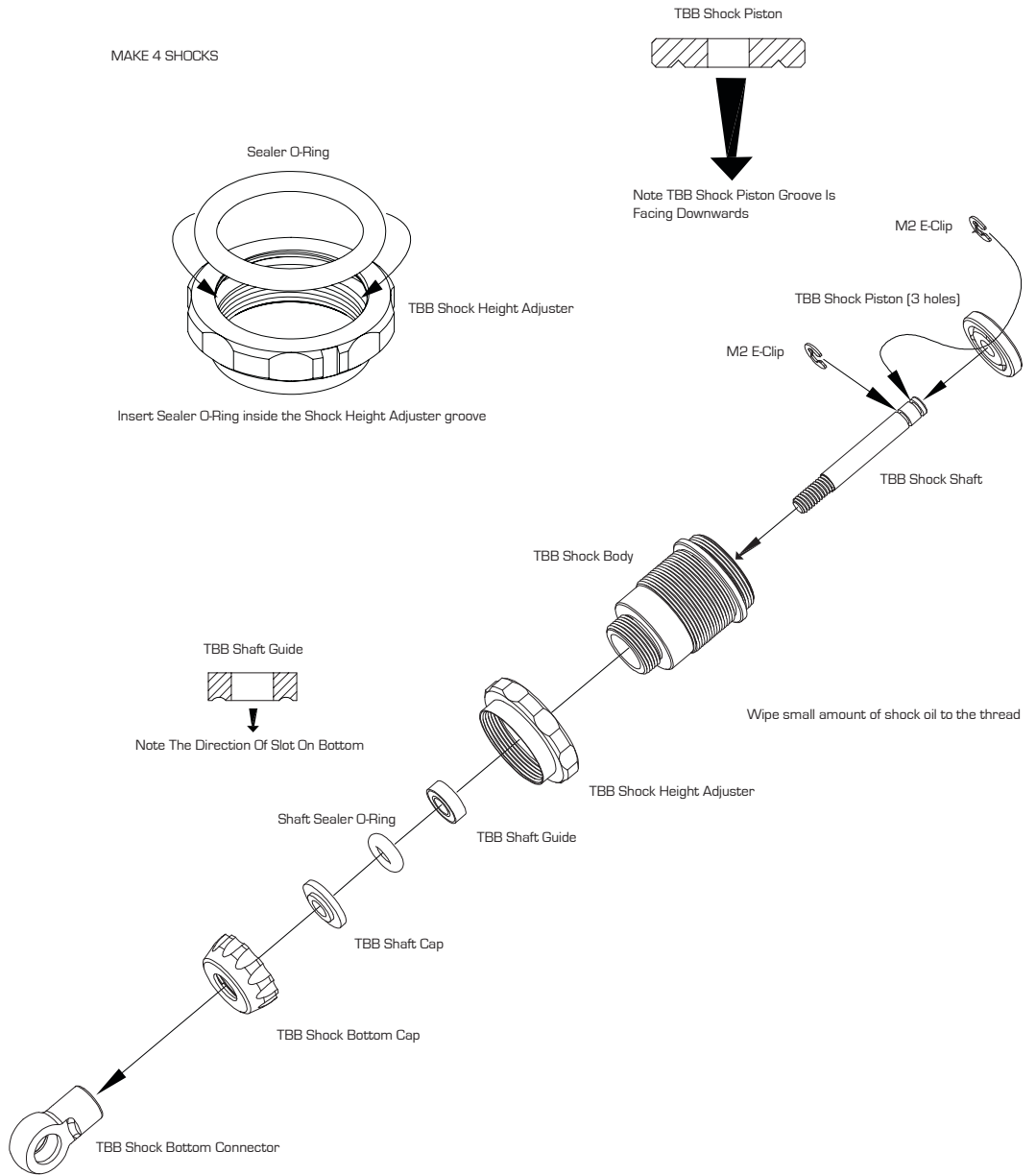


Insert Sealer O-Ring inside the Shock Height Adjuster groove

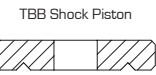
TBB Shaft Guide



Note The Direction Of Slot On Bottom



Wipe small amount of shock oil to the thread



Note TBB Shock Piston Groove Is Facing Downwards

M2 E-Clip

TBB Shock Piston (3 holes)

M2 E-Clip

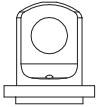
TBB Shock Shaft

Note the double ring face to ball connector

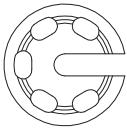
Make sure the shock shaft can move up and down freely

28

Assemble Oil Shocks Part 2



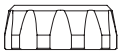
TBB Shock Top Connector A-03-VBC-0130 x 4



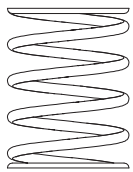
TBB Spring Bottom Support A-03-VBC-0131 x 4



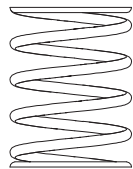
TBB Oil Sealer Cap (Medium Soft)
B-03-VBC-0132 x 4



TBB Shock Body Cap B-02-VBC-0133 x 4

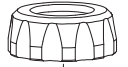


TBB Shock Spring
Orange-Med Hard (For Front)
B-02-VBC-0133 x 2

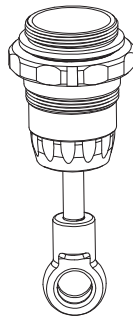
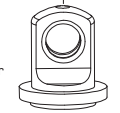


TBB Shock Spring
Red-Med Soft (For Rear)
B-02-VBC-0134 x 2

TBB Shock Body Cap



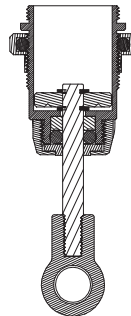
TBB Shock Top Connector



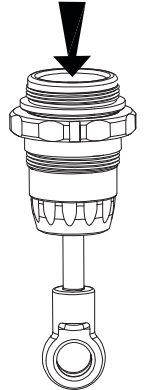
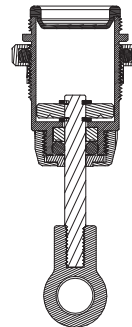
TBB Oil Sealer Cap



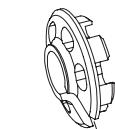
Fill supplied shock oil and remove air by moving the piston up and down until air bubbles disappear



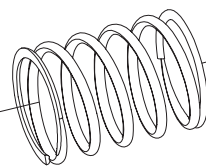
When placing Oil Sealer Cap make sure no bubbles are trap inside the shock body



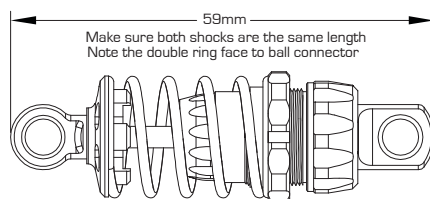
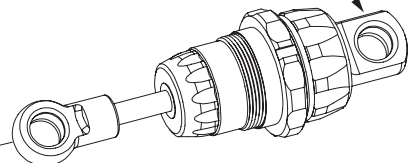
TBB Spring Bottom Support



Shock Spring Orange (For Front)
Shock Spring Red (For Rear)



Note the double ring face to ball connector

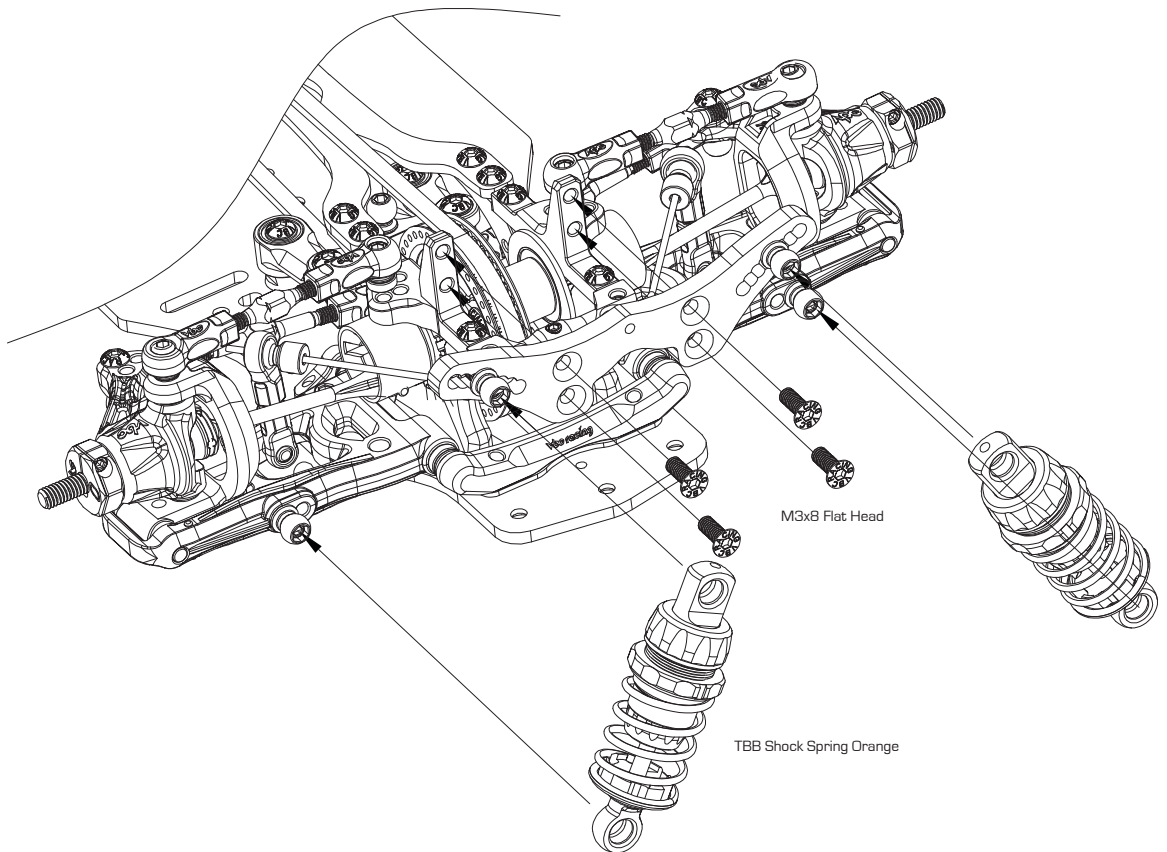
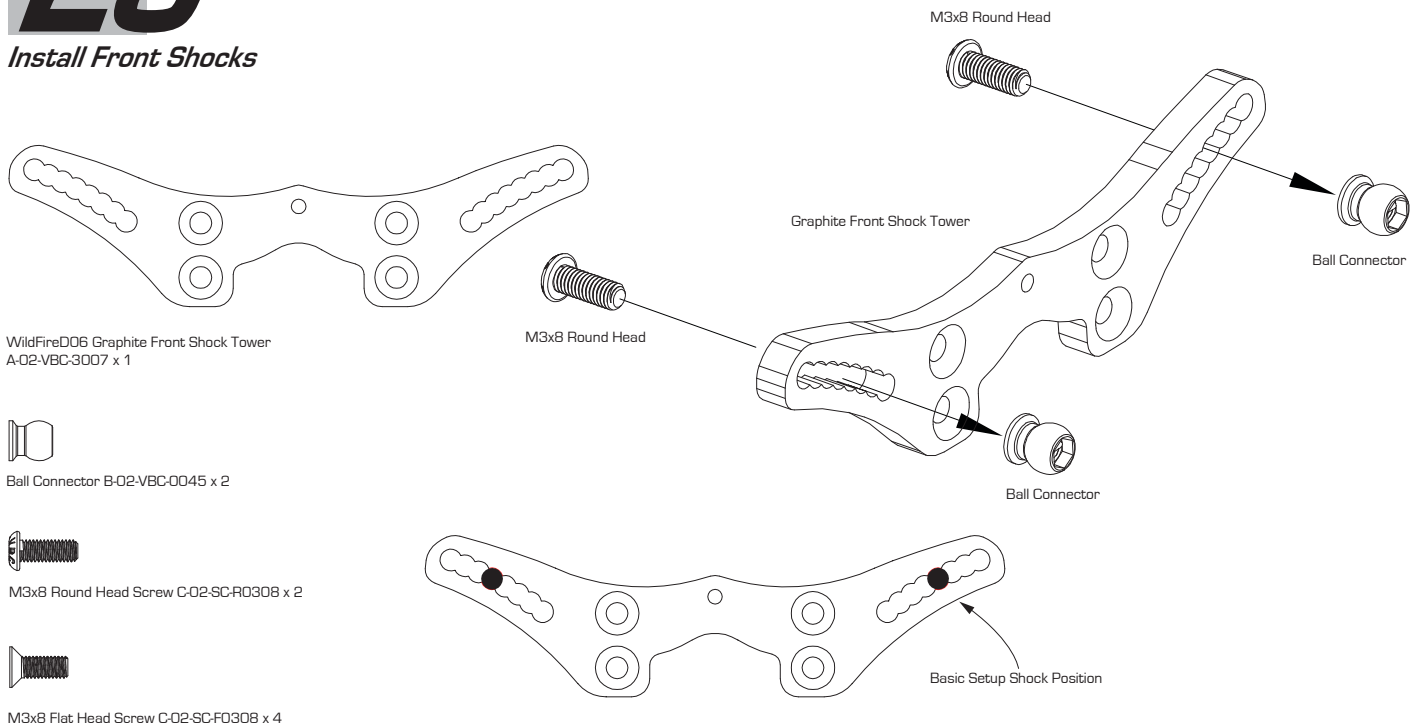


VBC Racing TBB Shock Springs:
TBB Shock Spring (Green - Soft) B-02-VBC-0136
TBB Shock Spring (Red - Med. Soft) B-02-VBC-0134
TBB Shock Spring (Orange - Med. Hard) B-02-VBC-0135
TBB Shock Spring (White - Hard) B-02-VBC-0137

Color	Green B-02-VBC-00136	Red B-02-VBC-00134	Orange B-02-VBC-00135	White B-02-VBC-0137
Rate lb/in	13.30	14.40	16.20	17.10
Rate gf/mm	238	273.2	301.8	320
Coils	6.50	6.25	6.00	5.75

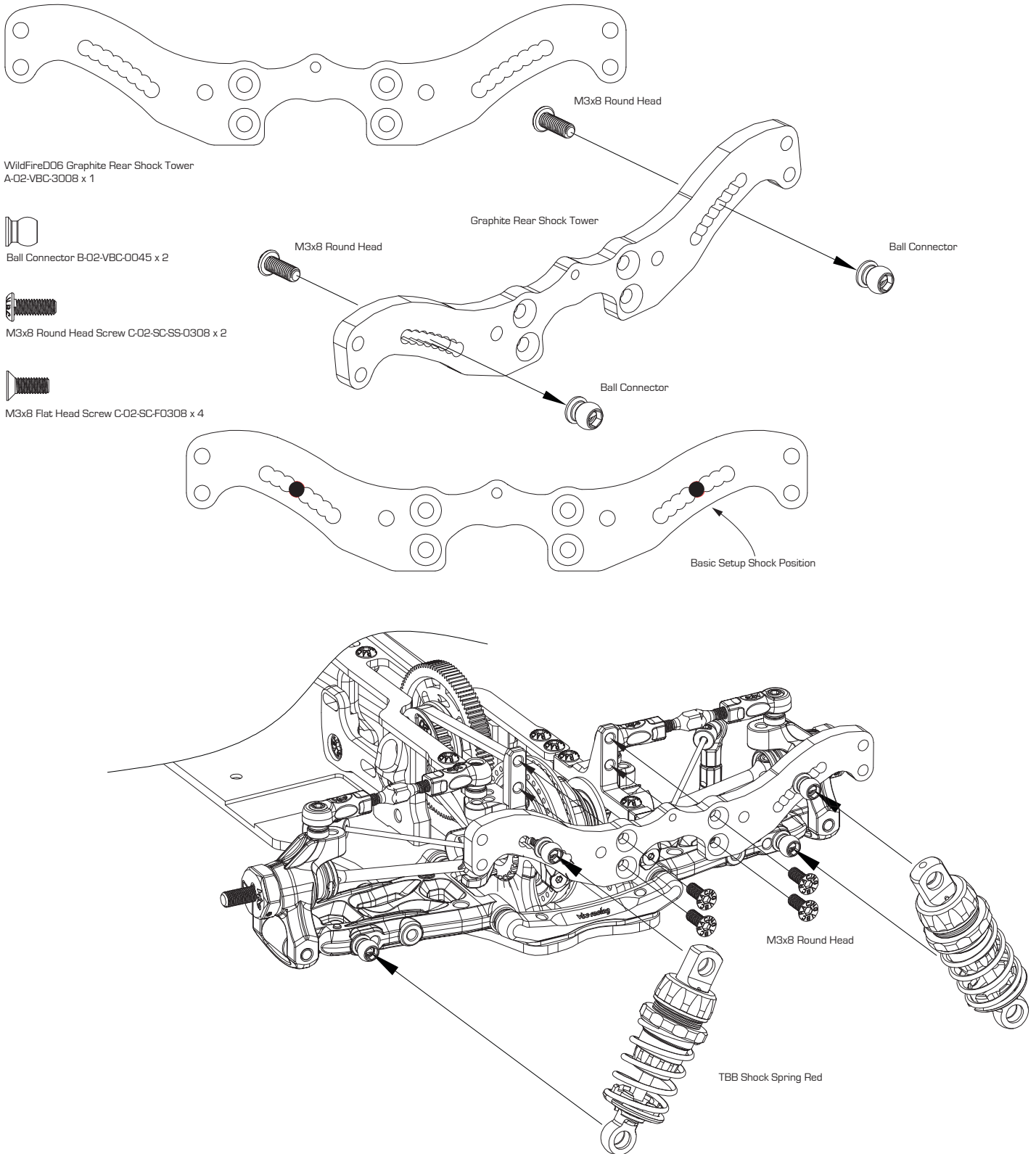
29

Install Front Shocks



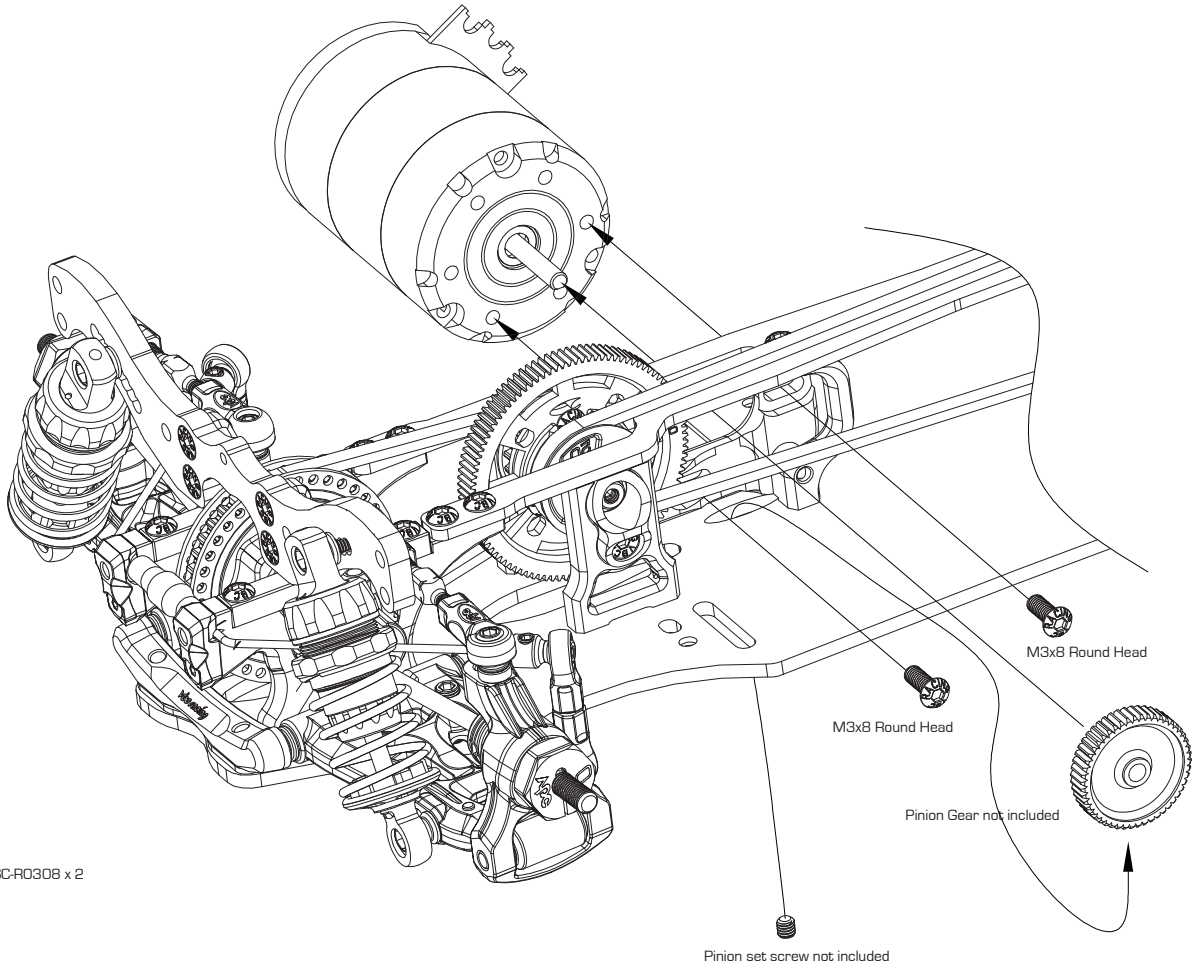
30

Install Rear Shocks



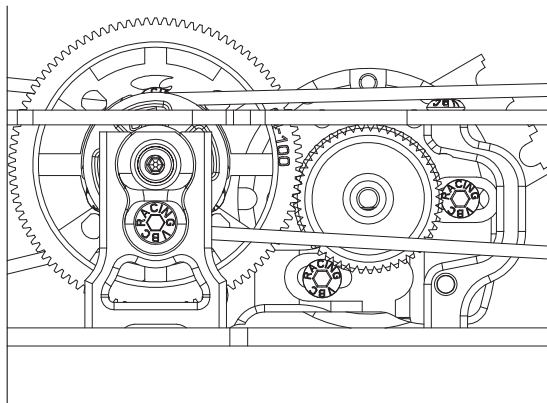
31

Install Motor



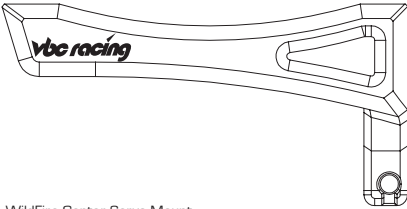
M3x8 Round Head Screw C-02-SC-R0308 x 2

All-new motor mount can incorporate a wider range of gear ratios from 21.5 up to modified classes
Please make sure there is enough clearance for the gears to run smoothly



32

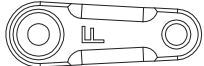
Install Steering Servo



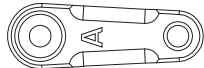
WildFire Center Servo Mount
D-05-VBC-0089 x 1



Servo Spacer 2mm A-03-VBC-0033 x 2
Optional Servo Spacer 1mm A-03-VBC-0032 x 2 included



Servo Horn Type F (Futaba)
A-03-VBC-0053 x 1



Servo Horn Type A (Airtronics/KO)
A-03-VBC-0054 x 1



M3x8mm Round Head Screw C-02-SC-R0308 x 5



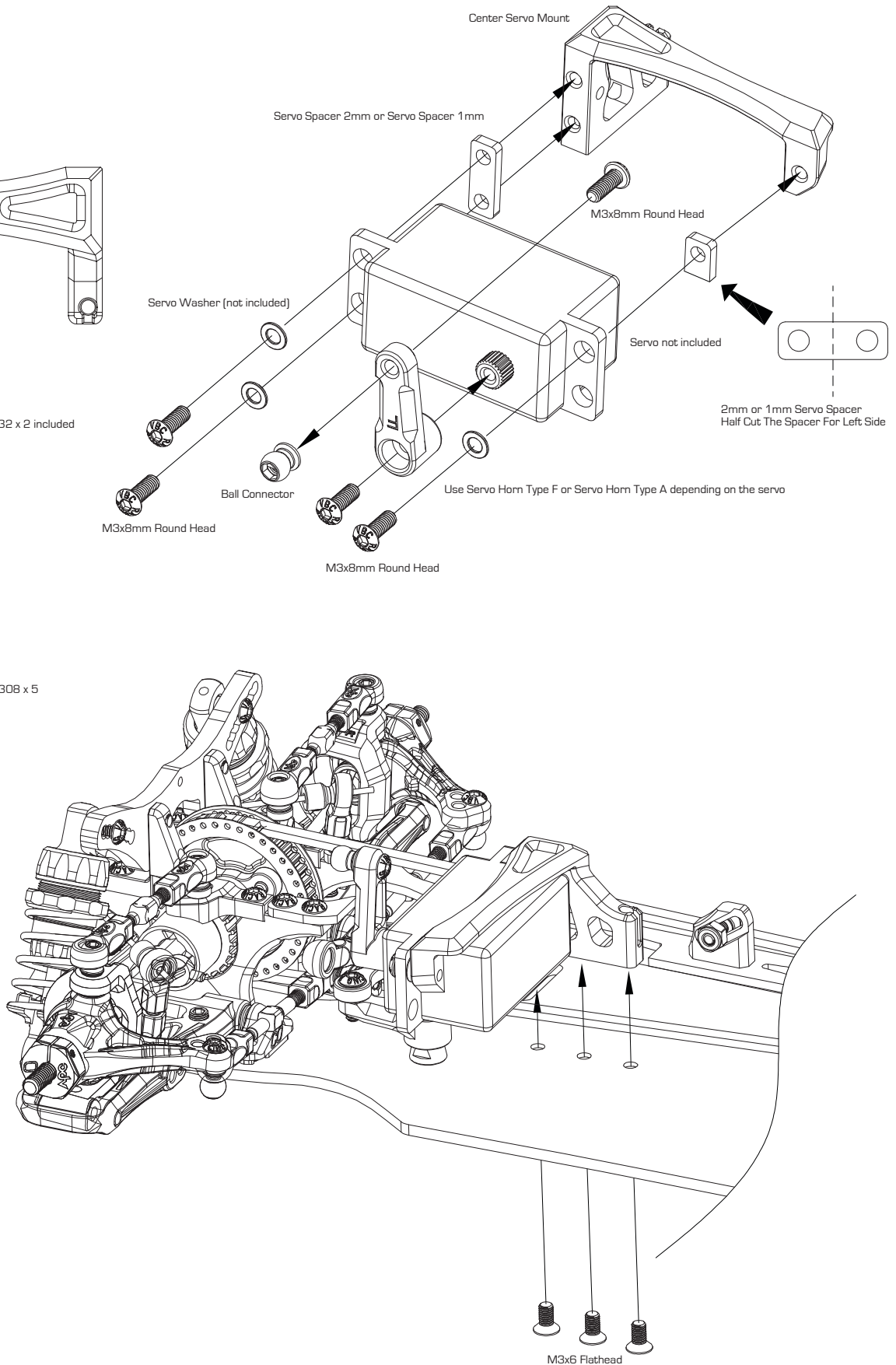
M3x6 Flathead C-02-SC-F0306 x 3



Ball Connector B-02-VBC-0045 x 1



Servo Washer (not included) x 3

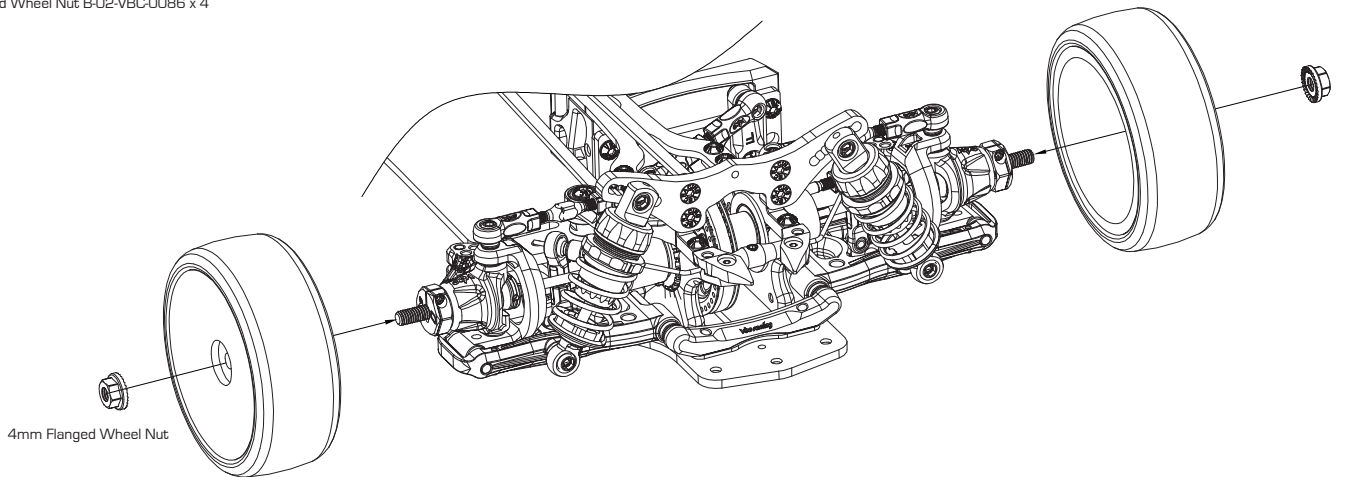


33

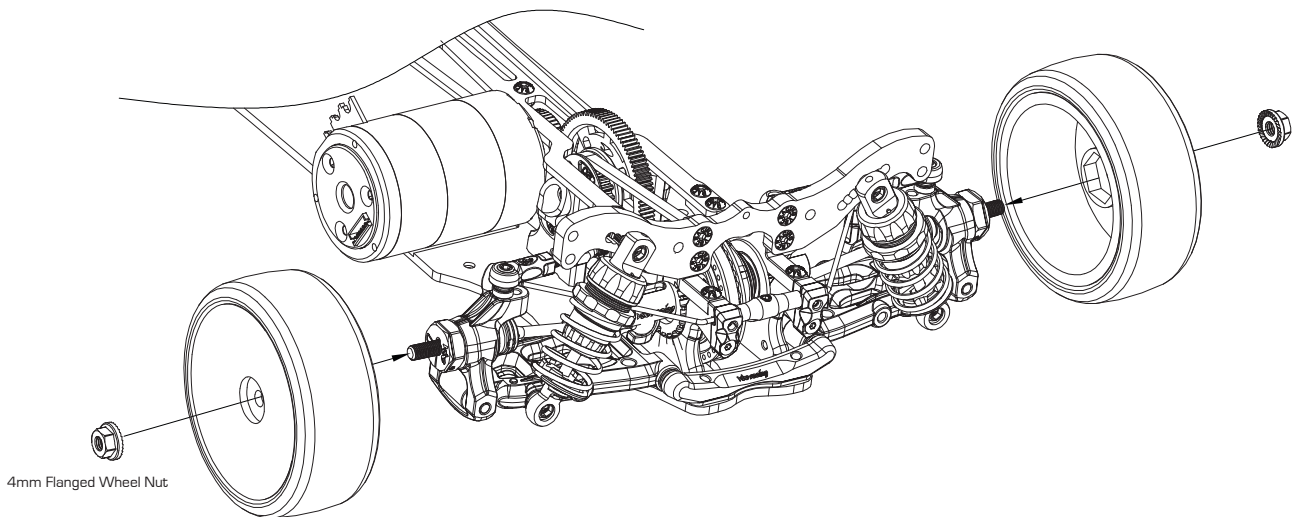
Install Front Bumper and Body Posts



4mm Flanged Wheel Nut B-02-VBC-0086 x 4



4mm Flanged Wheel Nut

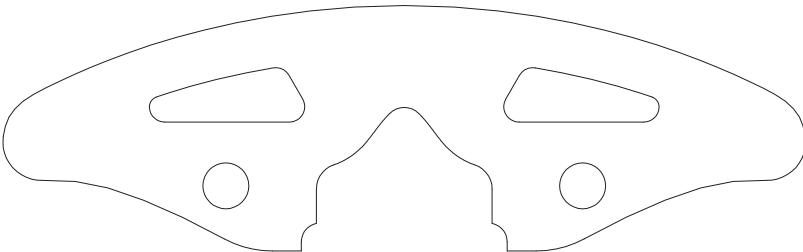


4mm Flanged Wheel Nut

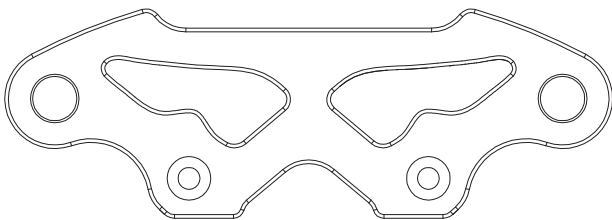
WHEELS AND TIRES NOT INCLUDED
We Recommend Panaracer Products.

34

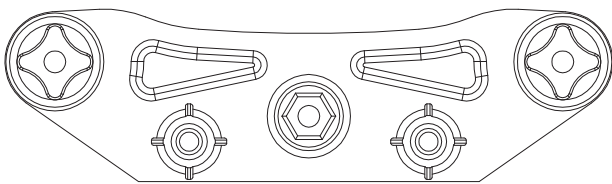
Install Front Bumper Part 2



Front Foam Bumper B-03-VBC-0009 x 1



Bumper Top Plate A-03-VBC-0062 x 1



Bumper Top Plate A-03-VBC-0011 x 1



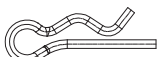
M3 Lock Nut C-02-SC-NN03 x 1



M3x10mm Flat Head Screw C-02-SC-F0310 x 4



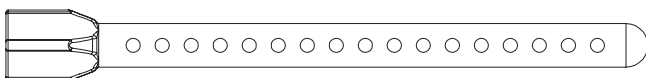
M2x12 Shaft Pin B-02-VBC-0022 x 2



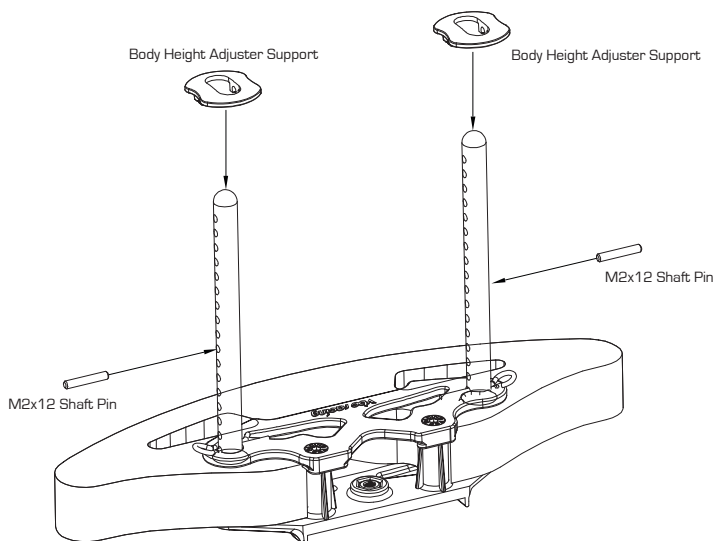
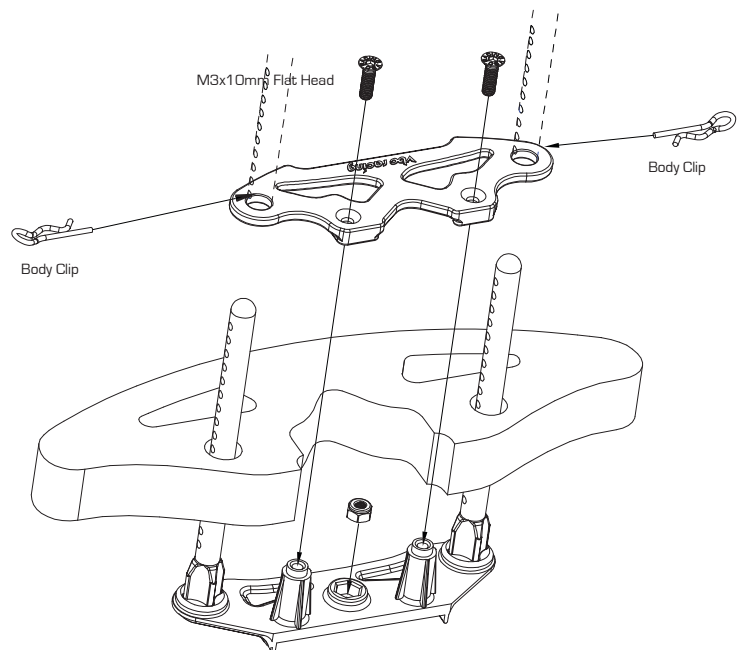
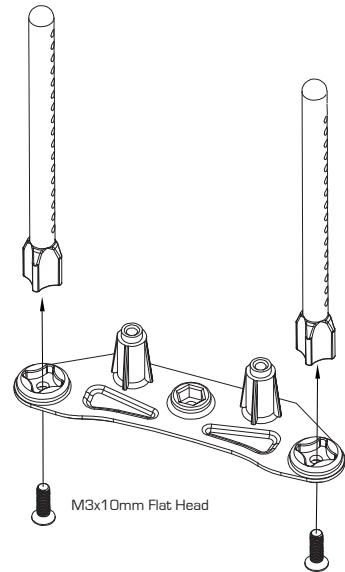
Body Clip B-02-VBC-0076 x 2



Body Height Adjuster Support A-03-VBC-0015 x 2



Front Body Post A-03-VBC-0013 x 2

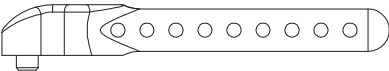


35

Install Rear Body Posts and Electronics



M3x8mm Flat Head Screw C-02-SC-F0308 x 3



Rear Body Post A-03-VBC-0014 x 2



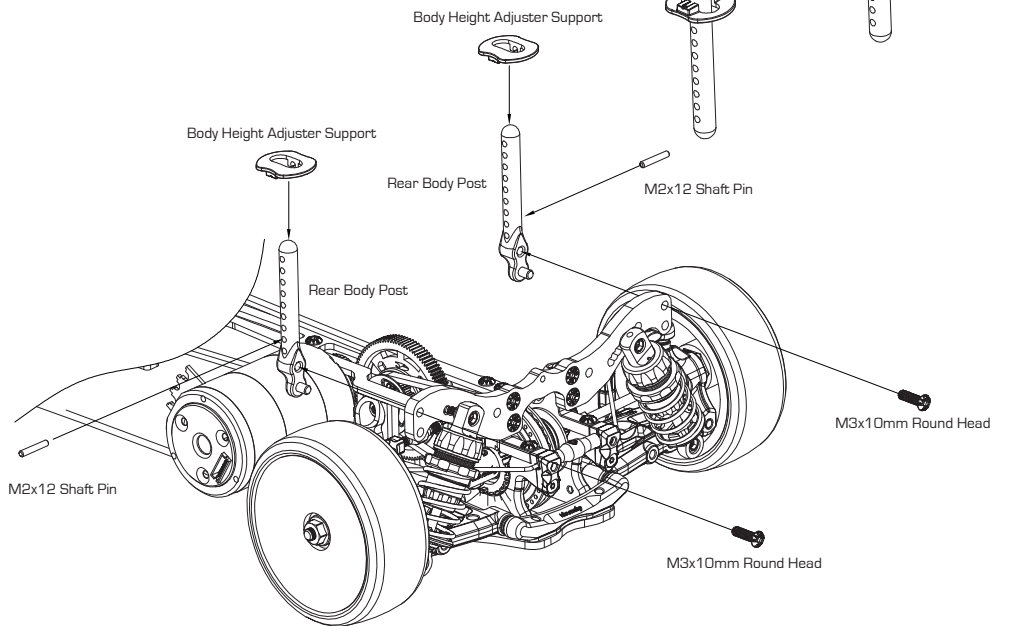
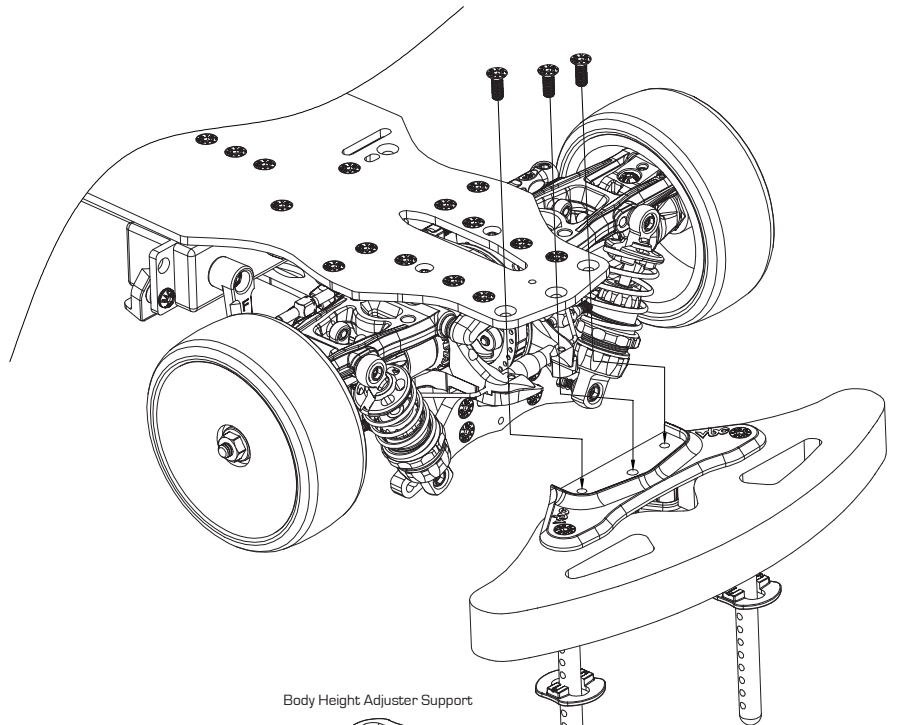
M3x10mm Round Head Screw C-02-SC-R0310 x 2



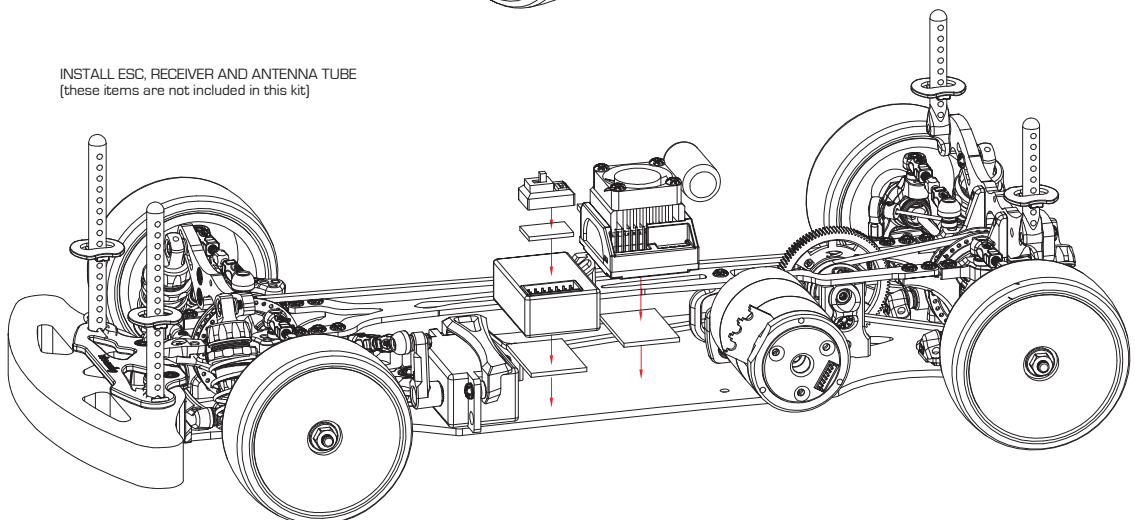
M2x12 Shaft Pin B-02-VBC-0022 x 2



Body Height Adjuster Support A-03-VBC-0015 x 2



INSTALL ESC, RECEIVER AND ANTENNA TUBE
(these items are not included in this kit)



35

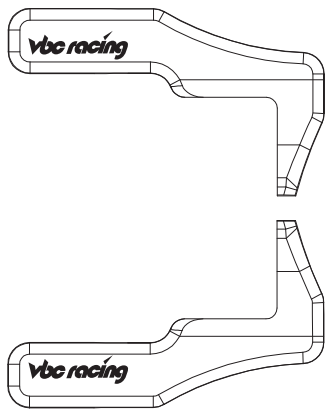
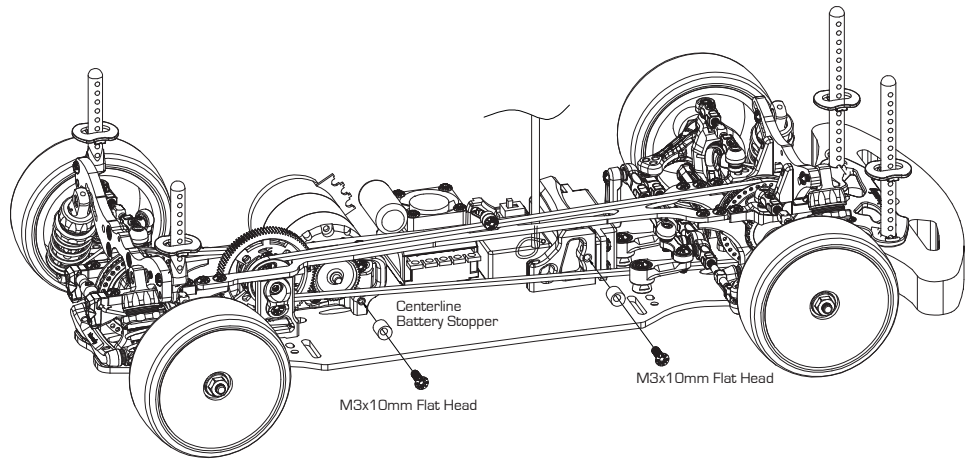
Continue
Install Battery Guards



Centerline Battery Stopper B-02-VBC-3034 x 2



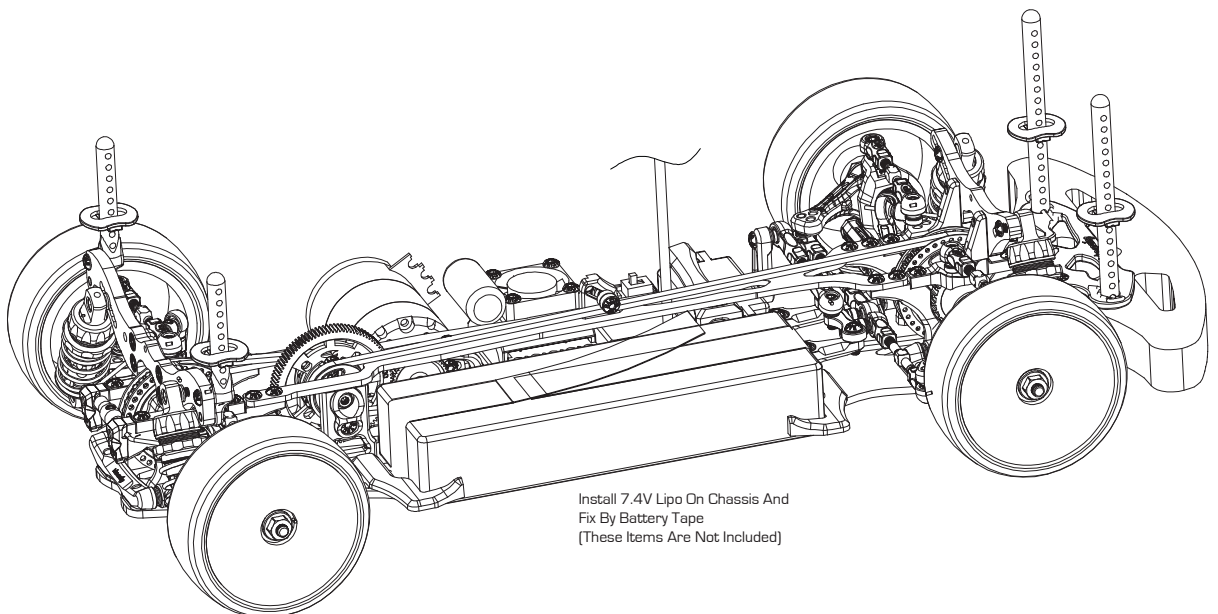
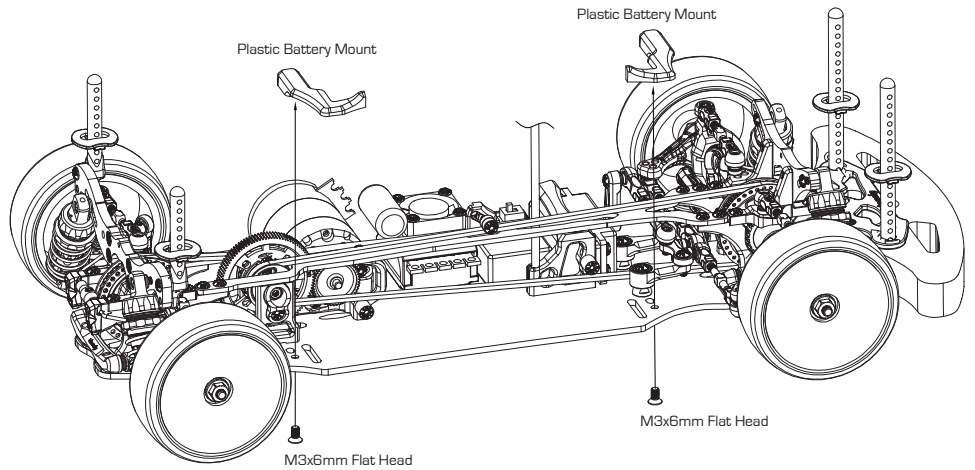
M3x10mm Flat Head Screw
C-02-SC-F0310 x 2



Plastic Battery Mount A-03-VBC-3025 x 1



M3x6 Flathead C-02-SC-F0306 x 2



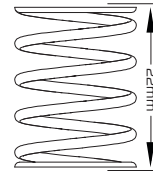
Install 7.4V Lipo On Chassis And
Fix By Battery Tape
(These Items Are Not Included)

Shocks

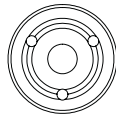
TBB Shock Springs

VBC Racing TBB Shock Springs:
 TBB Shock Spring (Green - Soft) B-02-VBC-0136
 TBB Shock Spring (Red - Med. Soft) B-02-VBC-0134
 TBB Shock Spring (Orange - Med. Hard) B-02-VBC-0135
 TBB Shock Spring (White - Hard) B-02-VBC-0137

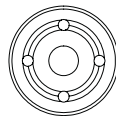
Color	Green B-02-VBC-00136	Red B-02-VBC-00134	Orange B-02-VBC-00135	White B-02-VBC-0137
Rate lb/in	13.30	14.40	16.20	17.10
Rate gf/mm	238	273.2	301.8	320
Coils	6.50	6.25	6.00	5.75



TBB Shock Pistons

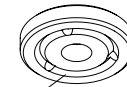
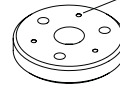


TBB Shock Piston (1.1mm x 3 holes)
 A-03-VBC-0123 (STANDARD)



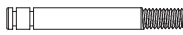
TBB Shock Piston (1.1mm x 4 holes)
 A-03-VBC-0138 (OPTIONAL)

Additional markings on TBB piston as allow user drill more holes for difference damping setup



Piston groove to improve the linearity of oil flow

TBB Shock Shafts

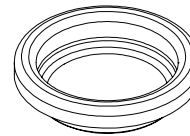


Titanium Coated Shock Shaft for TBB Shocks (4 pcs)
 B-02-VBC-3031 (OPTIONAL)

TBB Oil Sealer Caps

4 Different Hardness Silicone Materials TBB Oil Sealer Cap Set
 D-05-VBC-0095

Soft (Clear) B-03-VBC-0139
 Med Soft (Black) B-03-VBC-0140 (STANDARD)
 Med Hard (Blue) B-03-VBC-0141
 Hard (Red) B-03-VBC-0142



Suspension Mount Chart

Toe-angle of suspension arms are able to adjust by changing suspension mount. All of suspension mounts are made from aircraft grade aluminum. Selectable 20 different angles for front section and 33 different angles for rear section.

Suspension Mount List :

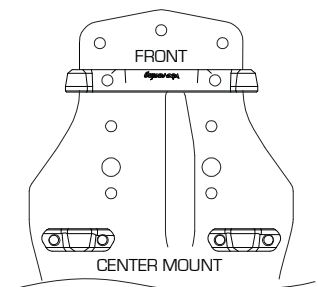
E10 Suspension Mount B-02-VBC-0061-10
 E15 Suspension Mount B-02-VBC-0061-15
 E20 Suspension Mount B-02-VBC-0061-20
 E25 Suspension Mount B-02-VBC-0061-25
 E30 Suspension Mount B-02-VBC-0061-30

F00 Suspension Mount B-02-VBC-0060-00
 F05 Suspension Mount B-02-VBC-0060-05
 F10 Suspension Mount B-02-VBC-0060-10

C00 Center Suspension Mount B-02-VBC-0062
 C05 Center Suspension Mount D-05-VBC-0065
 C10 Center Suspension Mount D-05-VBC-0061
 C15 Center Suspension Mount D-05-VBC-0068

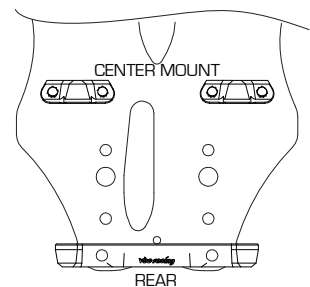
FRONT SECTION SUSPENSION

		Narrow → Wide				
		E10	E15	F00	F05	F10
Narrow ↓	X-C15, Y-C15	-0.5	-1.0	-1.5	-2.0	-2.5
	X-C10, Y-C10	0.0	-0.5	-1.0	-1.5	-2.0
	X-C05, Y-C05		0.0	-0.5	-1.0	-1.5
	C0			0.0	-0.5	-1.0
	Y-C05, X-C05				0.0	-0.5
Wide ↓	Y-C10, X-C10					0.0
	Y-C15, X-C15					



REAR SECTION SUSPENSION

		Narrow → Wide				
		E10	E15	E20	E25	E30
Narrow ↓	X-C15, Y-C15		0.0	0.5	1.0	1.5
	X-C10, Y-C10	0.0	0.5	1.0	1.5	2.0
	X-C05, Y-C05	0.5	1.0	1.5	2.0	2.5
	C0	1.0	1.5	2.0	2.5	3.0
	Y-C05, X-C05	1.5	2.0	2.5	3.0	3.5
Wide ↓	Y-C10, X-C10	2.0	2.5	3.0	3.5	4.0
	Y-C15, X-C15	2.5	3.0	3.5	4.0	



PARTS LIST



FOR ONLINE ORDERS, PLEASE VISIT OUR WEBSITE WWW.VBCRACING.COM OR VISIT YOUR NEAREST HOBBY STORE. PLEASE VISIT OUR WEBSITE FOR THE LATEST VBC WILDFIRE OPTION PARTS.

Order Number	Package Descriptions	Parts Number	Parts Descriptions
D05-VBC-0014	WildFire Gear Differential 3BT	A-03-VBC-0016	Gear Diff Housing
		A-03-VBC-0017	Gear Diff Pulley 3BT
		A-03-VBC-0018	Diff Gear 10T
		A-03-VBC-0019	Diff Gear 18T
		A-03-VBC-0020	Diff Gear Shaft
		B-03-VBC-0004	Seal Gasket
		B-03-VBC-0006	Diff Shaft Sealer O-Ring
		B-03-VBC-0005	Diff Housing Sealer O-Ring
		C-02-SC-F2.6x1.0	M2.6x1.0 Flathead Screw
		B-02-VBC-0022	Diff Cup
		B-02-VBC-0020	M2x1.0 Shaft Pin
		B-02-VBC-0077	15x0.3mm Shim
		B-02-VBC-0078	9.5x0.2mm Shim
D05-VBC-0034	Differential Gear Set	A-03-VBC-0018	Diff Gear 10T
		A-03-VBC-0019	Diff Gear 18T
		A-03-VBC-0020	Diff Gear Shaft
D05-VBC-0053	Gear Differentials 3BT Housing Set	A-03-VBC-0016	Gear Diff Housing
		A-03-VBC-0017	Gear Diff Pulley 3BT
B-02-VBC-0022	Diff Cup	B-02-VBC-0022	Diff Cup
B03-VBC-0005	Gear Differentials O-Ring Set	B-03-VBC-0005	Diff Housing Sealer O-Ring
		B-03-VBC-0006	Diff Shaft Sealer O-Ring
B03-VBC-0004	Seal Gasket	B-03-VBC-0004	Seal Gasket
		B-02-VBC-0077	15x0.3mm Shim
D05-VBC-0035	Gear Differentials Shims Set	B-02-VBC-0078	9.5x0.2mm Shim
		B-02-VBC-0020	M2x1.0 Shaft Pin
B-02-VBC-0020	M2x1.0 Shaft Pin	C-02-SC-R1.6x4	M1.6x4 Screw
C-02-SC-R1.6x4	M1.6x4 Screw	B-02-VBC-0062	Center Suspension Mount
B-02-VBC-0062	Center Suspension Mount (CO)	A-01-VBC-0038	Center Suspension Mount Shim(1.0mm)
D05-VBC-0033	WildFire Center Suspension Shim (1mm, 0.5mm)	A-01-VBC-0042	Center Suspension Mount Shim(0.5mm) Option
D05-VBC-0037	WildFire Steering Set	B-02-VBC-0054	Steering Assembly Travel Plate
		B-02-VBC-0053	Steering Travel Arm
		B-02-VBC-0055	Steering Assembly Pole
		B-02-VBC-0045	Ball Connector
		C-02-BB-0805-B	5x8 Ball Bearing
		C-02-BB-0603	3x6 Ball Bearing
		B-02-VBC-0092	5x8x0.2mm Shim
		B-02-VBC-0089	Steering Cone Washer
		B-02-VBC-0019-20	T2 7075 Spacer
		B-02-VBC-0019-10	T1 7075 Spacer
		C-02-SC-R0306	M3x6 Roundhead Screw
		C-02-SC-F0306	M3x6 Flathead Screw
		C-02-SS-0306	M3x6 Set Screw
		C-02-SC-SS-0310	M3x10 Set Screw
C-02-BB-0603	3x6 Ball Bearing		
B-02-VBC-0089	Steering Cone Washer		
A-03-VBC-0039	Turnbuckle Cup		
A-03-VBC-0039Y	Turnbuckle Cup (Yellow)		
A-03-VBC-0056	Turnbuckle Cup S (Grey)		
A-03-VBC-0056Y	Turnbuckle Cup S (Yellow)		
B-02-VBC-0037	M3x42mm Turnbuckle (Titan)		
B-02-VBC-0038	M3x18mm Turnbuckle (Titan)		
B-03-VBC-3001	WildFireD06 Front Bell		
B-03-VBC-3002	WildFireD06 Rear Bell		
B-02-VBC-3003	Belt Tensioner		
C-02-BB-0603	3x6 Ball Bearing		
B-02-VBC-0093	3x5x0.5mm Shim		
C-02-SC-R-0312	M3x12 Roundhead Screw		
C-02-SC-NN03	M3 Lock Nut		
A-03-VBC-0023	20T Center Pulley		
A-03-VBC-0060	Center Pulley Spacer		
B-02-VBC-0087	Center Pulley Drive Shaft		
B-02-VBC-0020	M2x1.0 Shaft Pin		
B-02-VBC-0085	M5x1.1 E-Clip		
C-02-SC-SS-0306	M3x6 Set Screw		
C-02-BB-0805-B	5x8 Ball Bearing		
B-03-VBC-3004	Panaracer 64P Spur Gear 1.16T		
C-02-SC-R0304	M3x4 Roundhead Screw		
A-02-VBC-3005	WildFireD06 Standard Upper Deck		
A-02-VBC-3006	WildFireD06 Standard Graphite Chassis		
A-02-VBC-3007	WildFireD06 Graphite Front Shock Tower		
A-02-VBC-3008	WildFireD06 Graphite Rear Shock Tower		
B-02-VBC-3009	WildFireD06 Upper Front Bulkhead FR		
B-02-VBC-3010	WildFireD06 Upper Front Bulkhead FL		
B-02-VBC-3011	WildFireD06 Upper Rear Bulkhead FR		
B-02-VBC-3012	WildFireD06 Upper Rear Bulkhead FL		
B-02-VBC-3013	WildFireD06 Front Lower Bulkhead FR		
B-02-VBC-3014	WildFireD06 Front Lower Bulkhead FL		
B-02-VBC-3015	WildFireD06 Rear Lower Bulkhead FR		
B-02-VBC-3016	WildFireD06 Rear Lower Bulkhead FL		
B-02-VBC-3017	WildFireD06 Motor Mount		
B-02-VBC-3018	WildFireD06 Motor Mount Support		
C-02-SC-F0310	M3x10 Flathead Screw		
B-02-VBC-3019	WildFireD06 Main Gear Bulkhead		
B-02-VBC-3020	WildFireD06 Center Pulley Bearing Holder		
B-02-VBC-3021	Ball Connector (5mm Length)		
B-02-VBC-3022	Ball Connector (7.5mm Length)		
B-02-VBC-3034	WildFireD06 Centerline Battery Stopper		
B-02-VBC-0045	Ball Connector		
B-02-VBC-0019-05	T0.5 7075 Spacer		
B-02-VBC-0019-10	T1 7075 Spacer		
B-02-VBC-0019-15	T1.5 7075 Spacer		
B-02-VBC-0019-20	T2 7075 Spacer		
A-03-VBC-0021	Front Spool Pulley 3BT		
A-03-VBC-0022	Pulley Belt Guide		
A-03-VBC-0049	Spool Drive Shaft		
A-03-VBC-0055	Front Spool Outdrive		
C-02-SC-R0308	M3x8 Roundhead Screw		
C-02-SC-F0312	M3x12 Flathead Screw		
A-03-VBC-0055	Front Spool Outdrive		
A-03-VBC-0049	Spool Drive Shaft		
A-03-VBC-0021	Front Spool Pulley 3BT		
A-03-VBC-0022	Pulley Belt Guide		
A-03-VBC-3027	V2 Front Suspension Arm		
A-03-VBC-3028	V2 Rear Suspension Arm		
A-03-VBC-0051	Suspension Arm Spacer T1		
A-03-VBC-0052	Suspension Arm Spacer T2		
B-02-VBC-0029	Suspension Arm Pin		
B-02-VBC-0035	Arm Pin Pivot Ball		
B-02-VBC-0031-30	E30 Suspension Mount		
A-01-VBC-0037	1mm Suspension Shim		
A-01-VBC-0041	0.5mm Suspension Shim Option		
A-03-VBC-0037	Rear Suspension Upright (Composite)		
A-03-VBC-0038	Shaft End Shoe		

Order Number	Package Descriptions	Parts Number	Parts Descriptions
D05-VBC-0055	VBC Racing Two-Piece Joint Drive Axle Set	A-03-VBC-0069	Inner Axle for Two-Piece Joint Drive Axle
		A-03-VBC-0070	Wheel Axle for Two-Piece Joint Drive Axle
		A-03-VBC-0071	Axle Joint for Two-Piece Joint Drive Axle
		A-03-VBC-0087	Axle Inner Joint for Two-Piece Drive
		A-03-VBC-0072	Axle Lock Spring for Two-Piece Joint Drive Axle
		A-03-VBC-0073	M1.7x8 Shaft Pin
		B-02-VBC-0035	M2x12 Shaft Pin
		A-03-VBC-0074	Right C-Hub for Two-Piece Joint Axle
		A-03-VBC-0075	Left C-Hub for Two-Piece Joint Axle
		C-02-BB-1053-B	Two Piece Joint Drive Ball Bearing
		C-02-SC-SS-0302	M3x2 Set Screw
		B-02-VBC-0024	Inner Axle
		B-02-VBC-0025	Wheel Axle
D05-VBC-0042	WildFire Drive Axle Set for Front/Rear (Pair)	B-02-VBC-0026	Axle Joint
		B-02-VBC-0027	Axle Lock Spring
		B-02-VBC-0020	M2x1.0 Shaft Pin
		B-02-VBC-0035	M2x12 Shaft Pin
		C-02-SC-SS-0302	M3x2 Set Screw
		C-02-BB-1005-P	5x10 Ball Bearing
		B-02-VBC-0024	Inner Axle
		B-02-VBC-0026	Axle Joint
		B-02-VBC-0025	Wheel Axle
C-02-BB-1005-P	5x10 Ball Bearing	C-02-SC-R1.6x4	M1.6x4 Screw
		B-02-VBC-0027	Axle Lock Spring
D05-VBC-0043	Inner Axle / Axle Joint Set	B-02-VBC-0024	Inner Axle
B-02-VBC-0025	Wheel Axle	B-02-VBC-0027	Axle Lock Spring
B-02-VBC-0027	Axle Lock Spring	B-02-VBC-0035	M2x12 Shaft Pin
B-02-VBC-0020-12	M2x12 Shaft Pin	B-02-VBC-0051	O Offset Wheel Hub
B-02-VBC-0051	O Offset Wheel Hub	B-02-VBC-0036	M3x32mm Turnbuckle
B-02-VBC-0036	M3x32mm Turnbuckle	B-02-VBC-0032	M3x23 Upright Pin
B-02-VBC-0032	M3x23 Upright Pin	A-03-VBC-0040	Turnbuckle Cup Open Type S
D05-VBC-0044	Turnbuckle Cup Open Type Set	A-03-VBC-0041	Turnbuckle Cup Open Type L
B-02-VBC-0060-00	F00 Suspension Mount	B-02-VBC-0060-00	F00 Suspension Mount
A-03-VBC-0079	Steering Block Version 2 (Composite)	A-03-VBC-0079	Steering Block Version 2 (Composite)
D05-VBC-0064	WildFire C-Hub Set Version 2	A-03-VBC-0104	Right C-Hub Version 2
B-02-VBC-0033	Steering Swivel Tube	A-03-VBC-0105	Left C-Hub Version 2
D05-VBC-0045	WildFire Front Stabilizer Set	B-02-VBC-0074-12	Front Stabilizer 1.2 Green Option
D05-VBC-0046	WildFire Rear Stabilizer Set	B-02-VBC-0074-14	Front Stabilizer 1.4 White Option
		B-02-VBC-0075-12	Rear Stabilizer 1.2 Green Option
		B-02-VBC-0075-14	Rear Stabilizer 1.4 White Option
A-03-VBC-3023	WildFireD06 Stabilizer Mount (Front)	A-03-VBC-3023	WildFireD06 Stabilizer Mount (Front)
A-03-VBC-3024	WildFireD06 Stabilizer Mount (Rear)	A-03-VBC-3024	WildFireD06 Stabilizer Mount (Rear)
D05-VBC-0096	WildFireD06 Stabilizer Connector / Collar	B-02-VBC-0047	Stabilizer Connector
D05-VBC-0097	WildFireD06 Battery Mount	A-03-VBC-3025	WildFireD06 Stabilizer Collar
		A-03-VBC-3025	WildFireD06 Battery Mount
B-02-VBC-3034	WildFireD06 Centerline Battery Stopper	B-02-VBC-3034	WildFireD06 Centerline Battery Stopper
B-02-VBC-0120	TBB Shock Body	B-02-VBC-0120	TBB Shock Body
B-02-VBC-0121	TBB Shock Height Adjuster	B-02-VBC-0121	TBB Shock Height Adjuster
B-02-VBC-0122	TBB Bottom Cap	A-03-VBC-0122	TBB Bottom Cap
A-03-VBC-0123	TBB Shock Piston (3 holes)	A-03-VBC-0123	TBB Shock Piston (3 holes)
A-03-VBC-0124	TBB Shock Bottom Connector	A-03-VBC-0124	TBB Shock Bottom Connector
B-02-VBC-0125	TBB Shaft Cap	A-03-VBC-0125	TBB Shaft Cap
B-02-VBC-0126	TBB Shaft Guide	B-02-VBC-0126	TBB Shaft Guide
B-02-VBC-0127	TBB Shock Shaft	B-02-VBC-0127	TBB Shock Shaft
B-02-VBC-0128	TBB Sealer O-Ring (Shock Height Adjuster)	B-02-VBC-0128	TBB Sealer O-Ring (Shock Height Adjuster)
B-02-VBC-0129	TBB Shaft Sealer O-Ring	B-02-VBC-0129	TBB Shaft Sealer O-Ring
M2-01ip	M2-01ip	B-02-VBC-0129	M2-01ip
A-03-VBC-0130	TBB Shock Top Connector	A-03-VBC-0130	TBB Shock Top Connector
A-03-VBC-0131	TBB Spring Bottom Support	A-03-VBC-0131	TBB Spring Bottom Support
B-02-VBC-0132	TBB Short Oil Sealer Cap (Medium Soft)	B-02-VBC-0132	TBB Short Oil Sealer Cap (Medium Soft)
B-02-VBC-0133	TBB Shock Body Cap	B-02-VBC-0133	TBB Shock Body Cap
B-02-VBC-0134	TBB Shock Spring (Red-Medium Soft)	B-02-VBC-0134	TBB Shock Spring (Red-Medium Soft)
B-02-VBC-0135	TBB Shock Spring (Orange-Medium Hard)	B-02-VBC-0135	TBB Shock Spring (Orange-Medium Hard)
A-03-VBC-0136	TBB Shock Spring (Green-Soft)	A-03-VBC-0136	TBB Shock Spring (Green-Soft)
A-03-VBC-0137	TBB Shock Spring (Red-Medium Soft)	A-03-VBC-0137	TBB Shock Spring (Red-Medium Soft)
B-02-VBC-0138	TBB Shock Spring (Red-Medium Soft)	B-02-VBC-0138	TBB Shock Spring (Red-Medium Soft)
B-02-VBC-0139	TBB Shock Spring (Orange-Medium Hard)	B-02-VBC-0139	TBB Shock Spring (Orange-Medium Hard)
B-02-VBC-0140	TBB Shock Spring (White-Hard)	B-02-VBC-0140	TBB Shock Spring (White-Hard)
A-03-VBC-0143	Aeration Type Shock Body Cap	A-03-VBC-0143	Aeration Type Shock Body Cap
C-02-SC-R2.0x4	Aeration Type Shock Body Cap Sealer O-Ring	C-02-SC-R2.0x4	Aeration Type Shock Body Cap Sealer O-Ring
A-03-VBC-0144	M2x4 Cap Head Screw	A-03-VBC-0144	M2x4 Cap Head Screw
B-02-VBC-3026	WildFireD06 Center Servo Mount	B-02-VBC-3026	WildFireD06 Center Servo Mount
C-02-SC-R0308	M3x8 Flathead Screw	C-02-SC-R0308	M3x8 Flathead Screw
C-02-SC-R0306	M3x6 Flathead Screw	C-02-SC-R0306	M3x6 Flathead Screw
A-03-VBC-0053	Servo Horn Type F (Composite)	A-03-VBC-0053	Servo Horn Type F (Composite)
A-03-VBC-0054	Servo Horn Type A (Composite)	A-03-VBC-0054	Servo Horn Type A (Composite)
A-03-VBC-0032	Servo Spacer 1mm	A-03-VBC-0032	Servo Spacer 1mm
A-03-VBC-0033	Servo Spacer 2mm	A-03-VBC-0033	Servo Spacer 2mm
A-03-VBC-0011	Front Bumper Bottom Support	A-03-VBC-0011	Front Bumper Bottom Support
A-03-VBC-0062	Bumper Top Plate	A-03-VBC-0062	Bumper Top Plate
A-03-VBC-0013	Front Body Post	A-03-VBC-0013	Front Body Post
A-03-VBC-0014	Rear Body Post	A-03-VBC-0014	Rear Body Post
A-03-VBC-0015	Body Height Adjuster Support	A-03-VBC-0015	Body Height Adjuster Support
B-02-VBC-0076	Body Dip	B-02-VBC-0076	Body Dip
B-02-VBC-0020-12	M2x12 Shaft Pin	B-02-VBC-0020-12	M2x12 Shaft Pin
B-03-VBC-0009	Front Foam Bumper	B-03-VBC-0009	Front Foam Bumper
C-02-SC-F0256	M2 5x6 Flathead Screw	C-02-SC-F0256	M2 5x6 Flathead Screw
C-02-SC-F0306	M3x6 Flathead Screw	C-02-SC-F0306	M3x6 Flathead Screw
C-02-SC-F0308	M3x8 Flathead Screw	C-02-SC-F0308	M3x8 Flathead Screw
C-02-SC-F0310	M3x10 Flathead Screw	C-02-SC-F0310	M3x10 Flathead Screw
C-02-SC-F0312	M3x12 Flathead Screw	C-02-SC-F0312	M3x12 Flathead Screw
C-02-SC-R0304	M3x4 Roundhead Screw	C-02-SC-R0304	M3x4 Roundhead Screw
C-02-SC-R0306	M3x6 Roundhead Screw	C-02-SC-R0306	M3x6 Roundhead Screw
C-02-SC-R0308	M3x8 Roundhead Screw	C-02-SC-R0308	M3x8 Roundhead Screw
C-02-SC-R0309	M3x9 Roundhead Screw	C-02-SC-R0309	M3x9 Roundhead Screw
C-02-SC-R0310	M3x10 Roundhead Screw	C-02-SC-R0310	M3x10 Roundhead Screw
C-02-SC-R0312	M3x12 Roundhead Screw	C-02-SC-R0312	M3x12 Roundhead Screw
C-02-SC-R0316	M3x16 Roundhead Screw	C-02-SC-R0316	M3x16 Roundhead Screw
C-02-SC-R2.0x10	M2x10 Roundhead Screw	C-02-SC-R2.0x10	M2x10 Roundhead Screw
C-02-SC-R1.6x4	M1.6x4 Screw	C-02-SC-R1.6x4	M1.6x4 Screw
B-02-VBC-0076	Body Dip (20pcs)	B-02-VBC-0076	Body Dip
B-02-VBC-0089	M3 0.1mm shims	B-02-VBC-0089	M3 0.1mm shims
B-02-VBC-0100	M3 0.2mm shims	B-02-VBC-0100	M3 0.2mm shims
B-02-VBC-0101	M3 0.3mm shims	B-02-VBC-0101	M3 0.3mm shims
B-03-VBC-0012	Shaft Sealer O-Ring	B-03-VBC-0012	Shaft Sealer O-Ring
A-02-VBC-3029	WildFireD06 Decals	A-02-VBC-3029	WildFireD06 Decals
B-03-VBC-0084	VBC Racing WildFireD06 Limited Bking Tee Shirt	B-03-VBC-0084	VBC Racing WildFireD06 Limited Tee Shirt

vbc racing
www.vbcrcing.com



COMPETITION GRADE HIGH PERFORMANCE RADIO CONTROL RACING CAR CHASSIS KIT

WILDFIRE D06

1/10 4WD ELECTRIC COMPETITION TOURING CAR KIT

Instruction Book P-0004.1 VBC Racing WildFire D06 Touring Car Kit D-05-VBC-0081