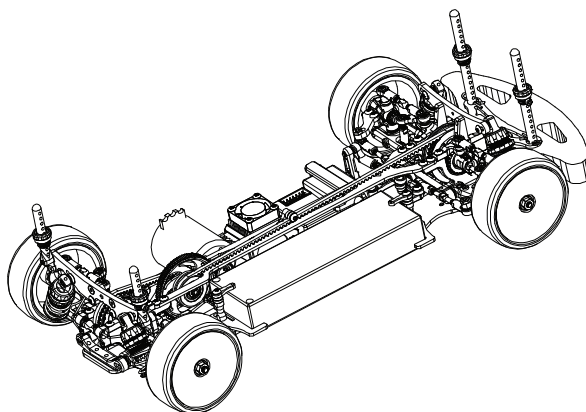


COMPETITION GRADE HIGH PERFORMANCE RADIO CONTROL RACING CAR CHASSIS KIT

# WILDFIRE D10 DYNAMICS EDITION



INSTRUCTIONS MANUAL

**vbc racing**

**E**

Thank you for purchasing VBC Racing product.

**Things that we should remind you.**

This VBC Racing kit is a high performance, racing grade car kit intended for experienced racers. The kit compose of VBC formulated composite materials, top quality full carbon fiber chassis and high grade 7075 material which will give you a competitive edge over the others.

Novice racer should seek advice from more experienced racer before assembly.

Always keep this instruction manual handy at all times for quick reference even after completing the assembly.

**Before your assembly, sand the chassis edges.**

Sand the chassis edges with #600 sand paper and apply CA glue to the edges and counter sink holes.

**Need help or support.**

If you need help or you would like to leave us a comment, please email to our support team: [support@vbc-racing.com](mailto:support@vbc-racing.com) or visit our web site [www.vbc-racing.com](http://www.vbc-racing.com)



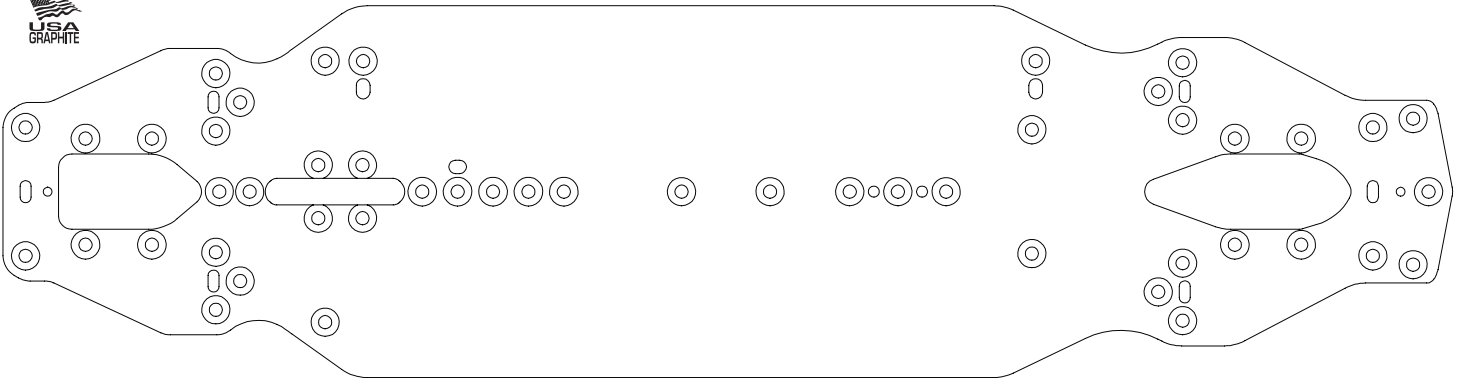
# 1

## Graphite Edges Protection Procedure



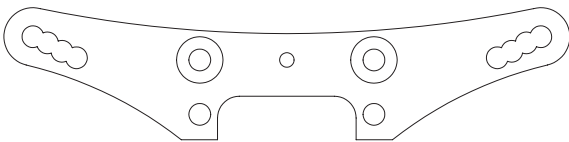
\*Not included in this kit

Sand the chassis edges with #600 sand paper(not included) and apply CA glue(not included) to the edges of the chassis.

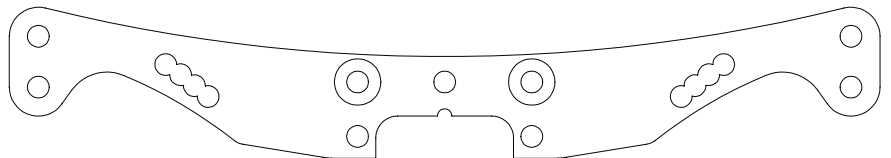


31522 WildFireD10 Standard Graphite Chassis

Sand the below graphite edges with #600 sand paper and apply CA glue to the edges.

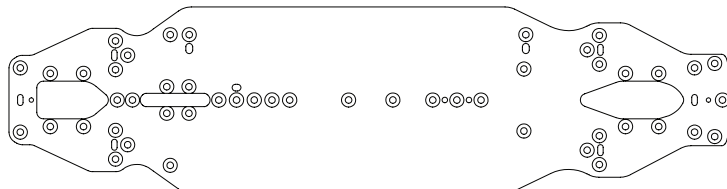


G30982 Graphite Front Shock Tower for TBBS

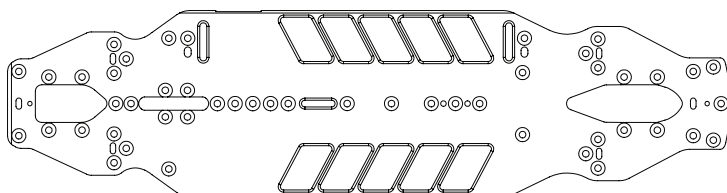


31640 WildFireD10 Rear Shock Tower

Before you start assembling, choose one of the 2 options to suit your track needs. You can always experimenting from different chassis to best suit your driving style.



2.25mm Graphite chassis for general setup suitable for Medium to Low traction tracks

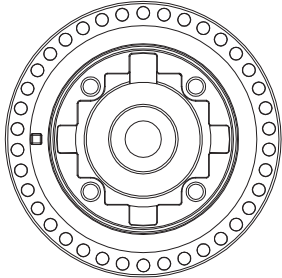


Aluminium chassis for aggressive setup suitable for High to Very High traction tracks

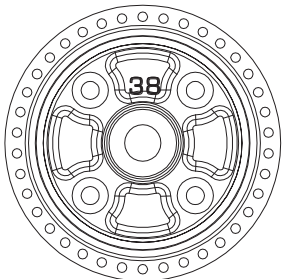
# 2

## Rear Gear Diff Left Side

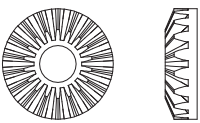
### Rear Gear Diff Assembly



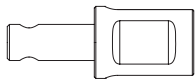
Gear Diff Housing A-03-VBC-0016 x 1



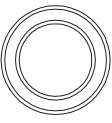
Gear Diff Pulley 38T A-03-VBC-0017 x 1



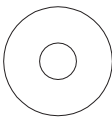
Diff Gear A-03-VBC-0019 x 2



Lightweight Gear Differential Cup B02-P30888 x 2



10 x 15 Ball Bearing C-02-BB-1510-P x 2



15 x 0.3 Shim B-02-VBC-0077 x 2



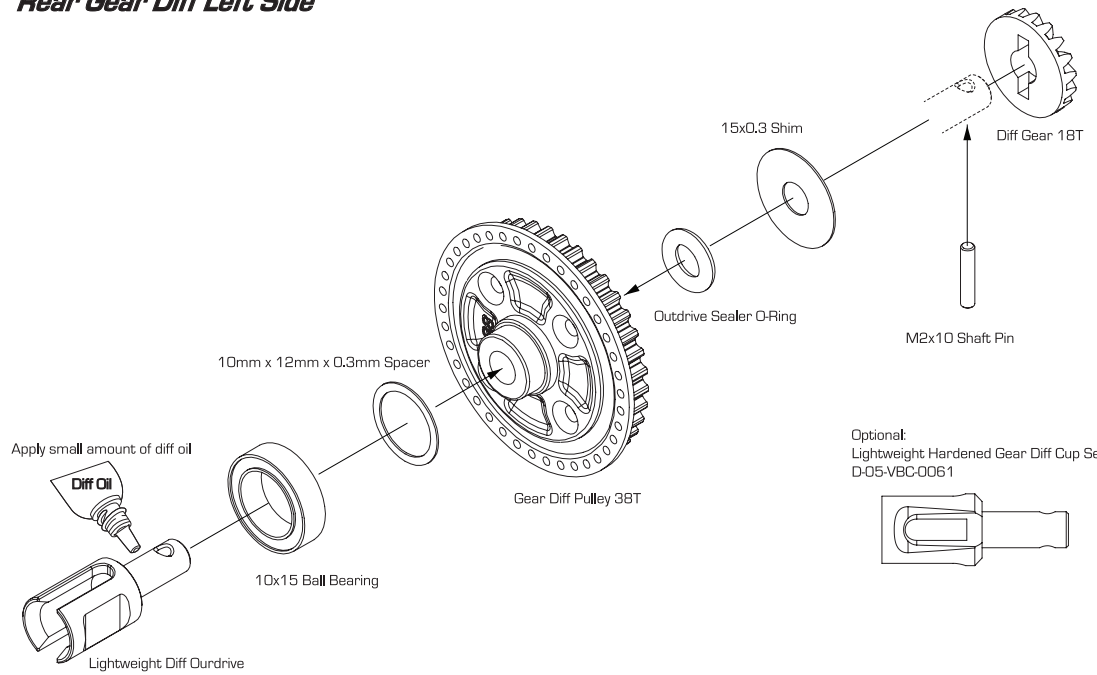
M2 x 10 Shaft Pin B-02-VBC-0020 x 2



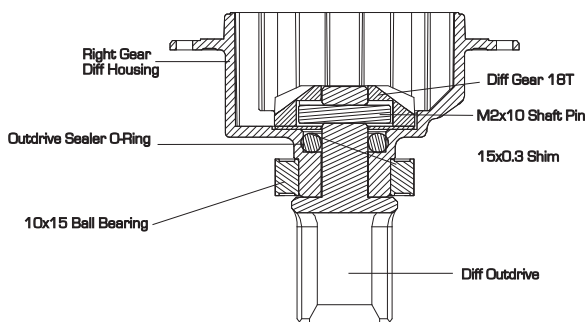
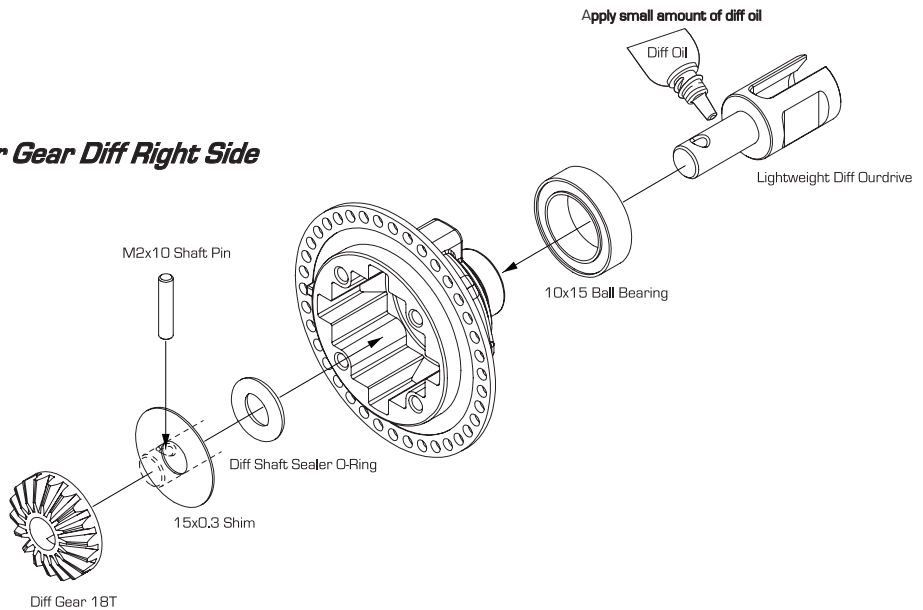
Diff Shaft Sealer O-Ring B-03-VBC-0008 x 2



10mm x 12mm x 0.3mm Spacer C-02-P30914 x 1



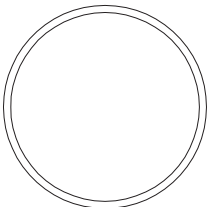
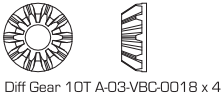
## Rear Gear Diff Right Side



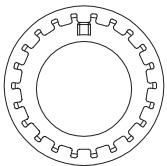
Rear Gear Diff Right Side Assembly Cross Section

# 3

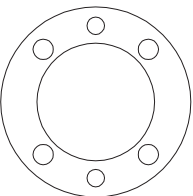
## Rear Gear Diff Assembly Continue



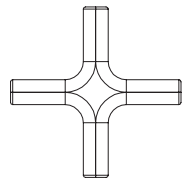
Diff Housing Sealer O-Ring B-03-VBC-0005 x 1



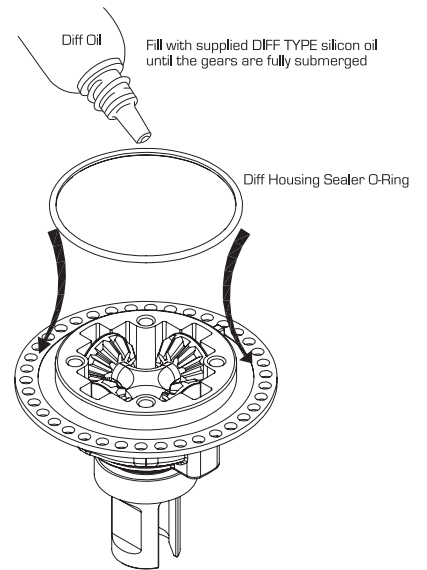
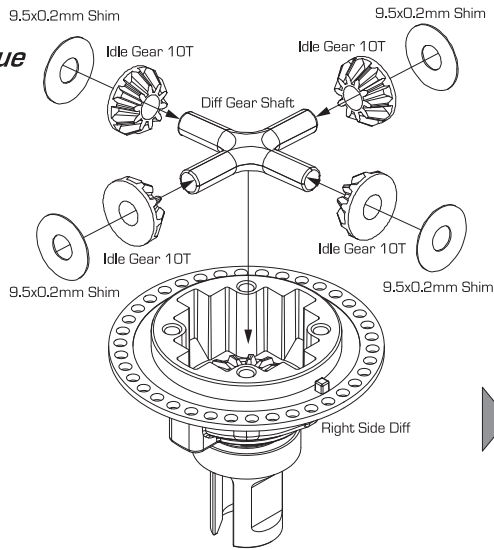
Belt Tension Adjuster Ring A-03-VBC-0047 x 2



Seal Gasket B-03-VBC-0004 x 1

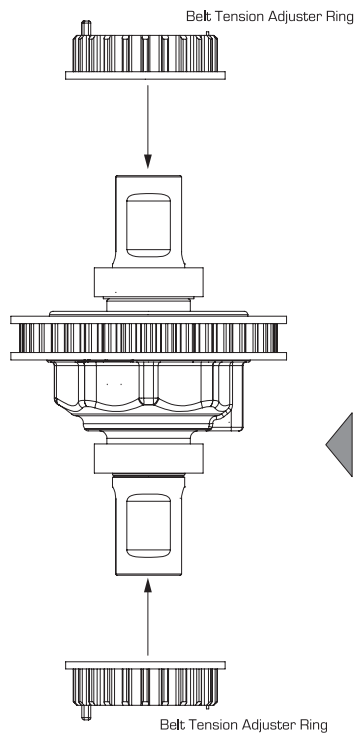


Diff Gear Shaft A-03-VBC-0020 x 1

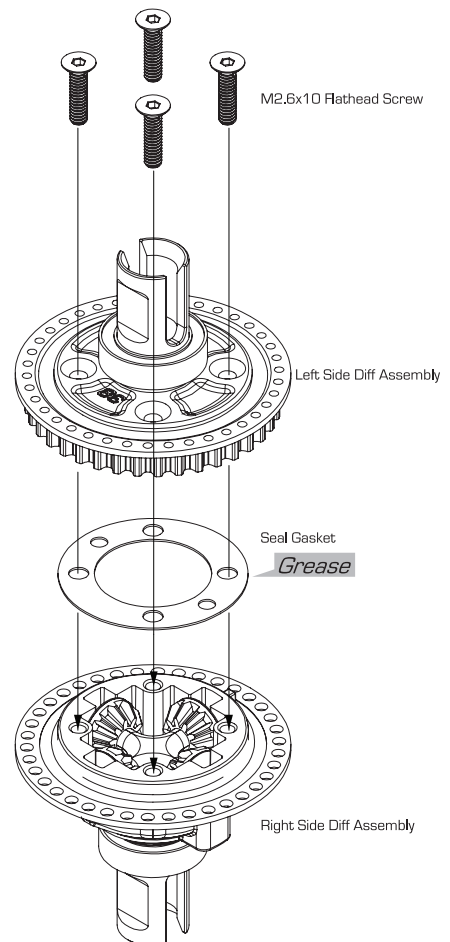


**TIP Gear Differentials**

Traction	Low	Medium	High
	1000 Cst	4000 Cst	8000 Cst
	3000 Cst	7000 Cst	20000 Cst



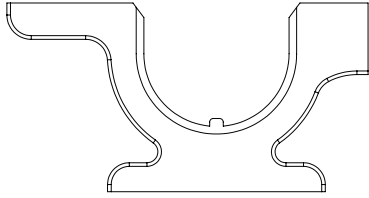
Place Seal Gasket to the left side diff assembly before putting the right side diff together





# 4

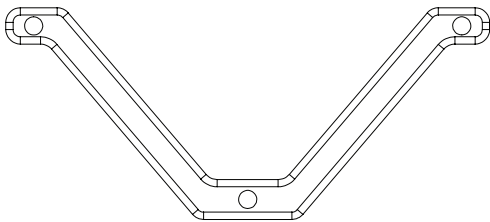
## Rear Drivetrain Assembly



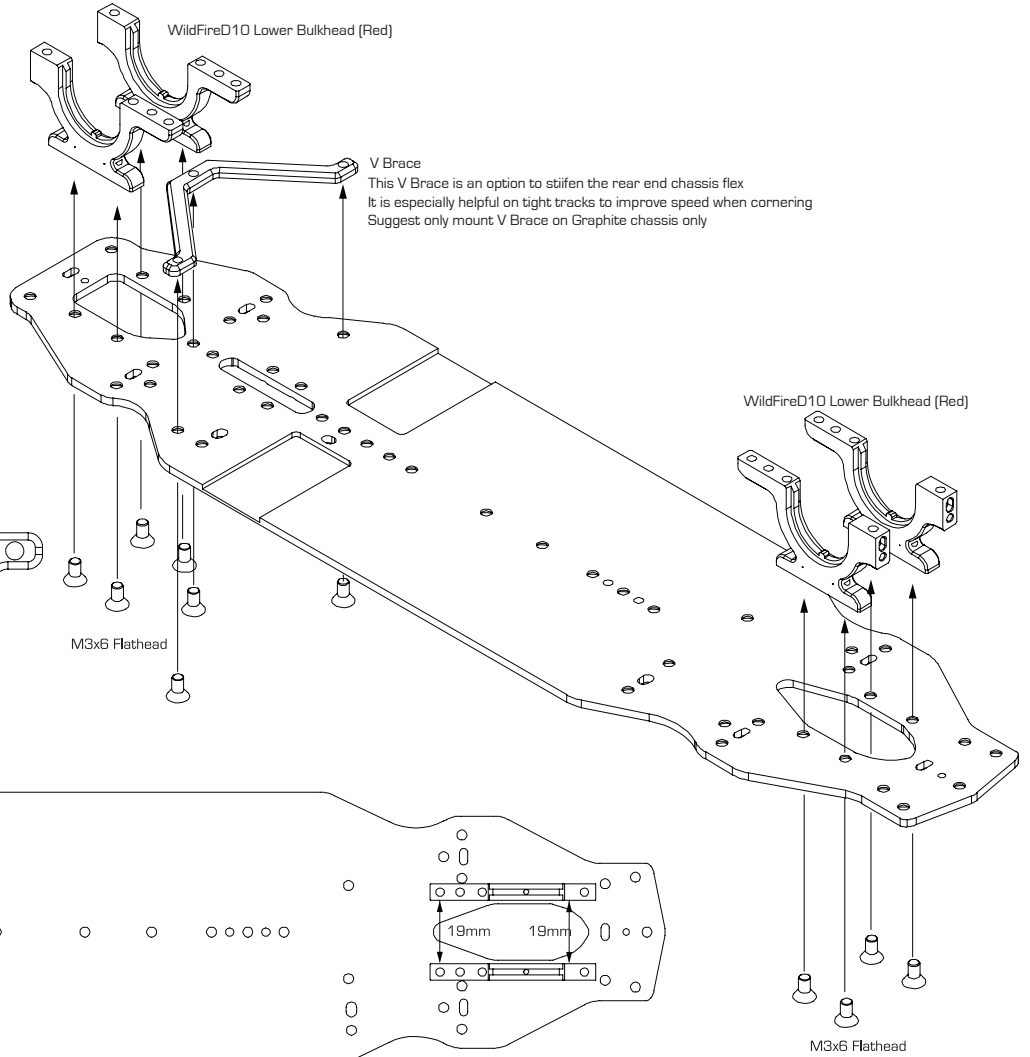
WildFireD10 Lower Bulkhead (Red) 31555 x 4



M3x6 Flathead C-02-SC-F0306 x 11



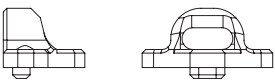
V Brace 31576 x 1



# 5

Make Sure The Front and Rear Lower Bulkhead Is Aligned In a Straight Line

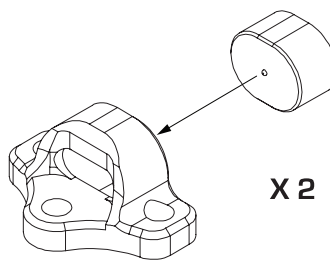
## Suspension Mount Assembly



Split Mount (Black) 31619 x 2



Suspension Mount Composite Insert 1 303110424 X 2



**TIP** Split Mount Insert chart

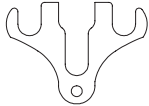
WIDTH	+0.75	+0.5	+0.25	0	-0.25	-0.5	-0.75	-1
Wide								
Narrow								

Suitable for High Traction Suitable for Low Traction

# BAG MARKED **STEP 3**

# 6

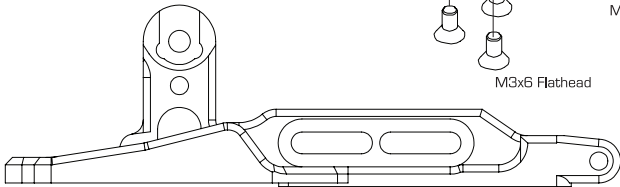
## Motor Mount and Split Mount Assembly



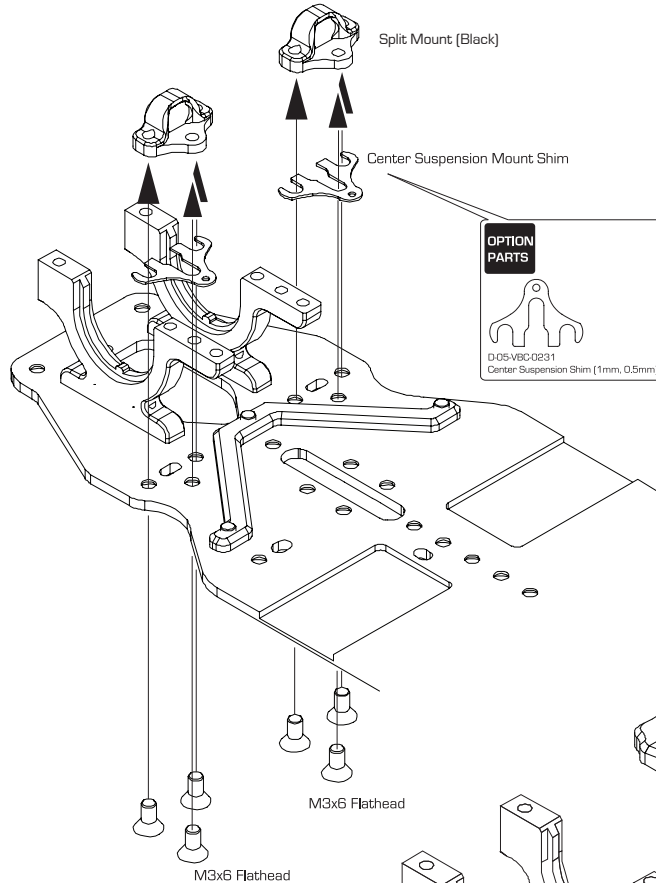
Center Suspension Mount Shim(0.5mm) X 2



M3x6 Flathead C-02-SC-F0306 x 16

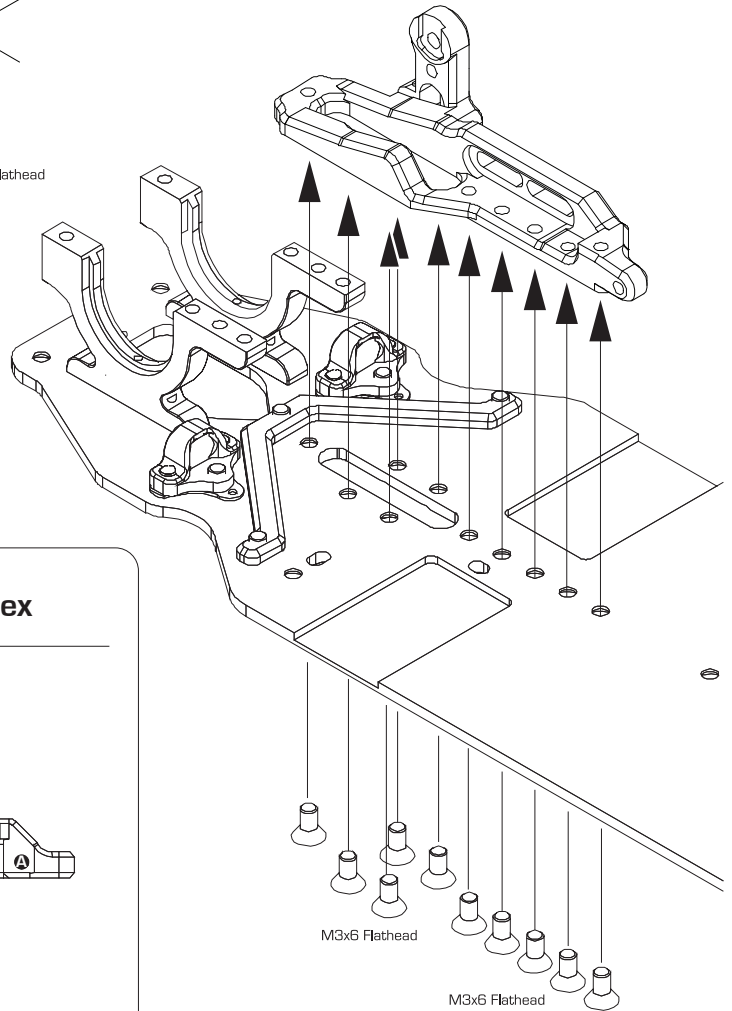
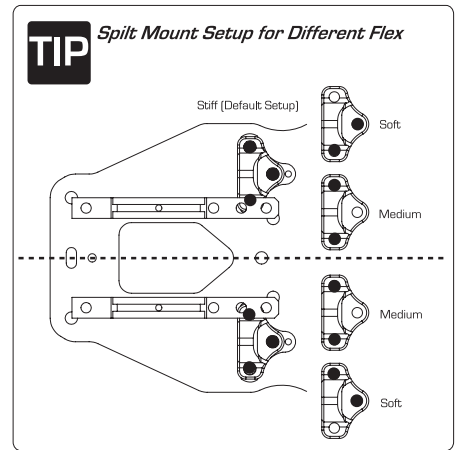


WildFire D09 Motor Mount\_A B-02-P31248 X 1



M3x6 Flathead

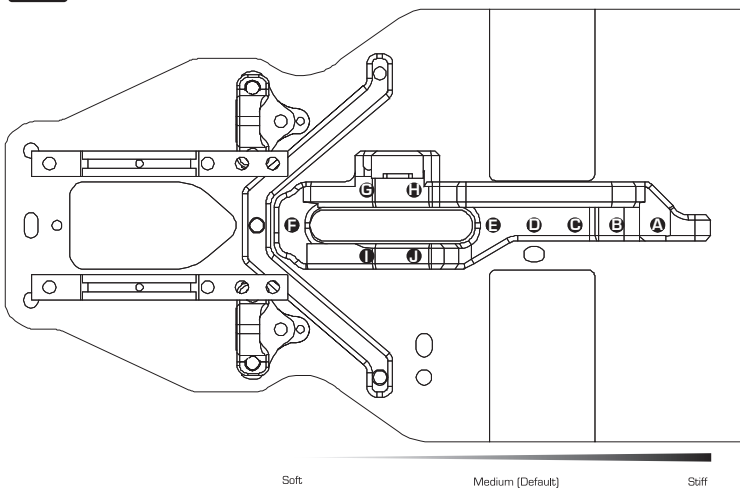
M3x6 Flathead



M3x6 Flathead

M3x6 Flathead

**TIP** Motor Mount Settings for Chassis Flex



You can fine tune the chassis flex by mounting the screws into different positions. 0.5mm shims are required when mount 'F,G,H,I,J' positions

# 7

## Steering System Assembly



4.9mm Ball Connector 6mm 31517 x 2



5x8 Ball Bearing C-02-BB-0805-B x 4



3x6 Ball Bearing C-02-BB-0603 x 2



4.9mm Ball Connector 8mm 31518 x 1



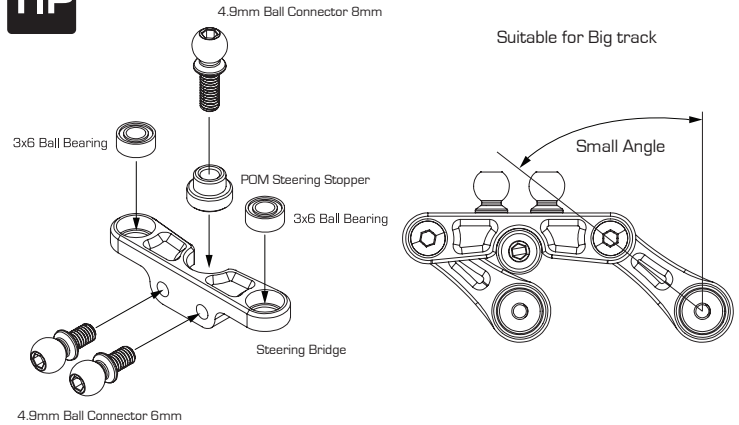
POM Steering Stopper 31639 x 1



Steering Bridge (Red) 31622 x 1

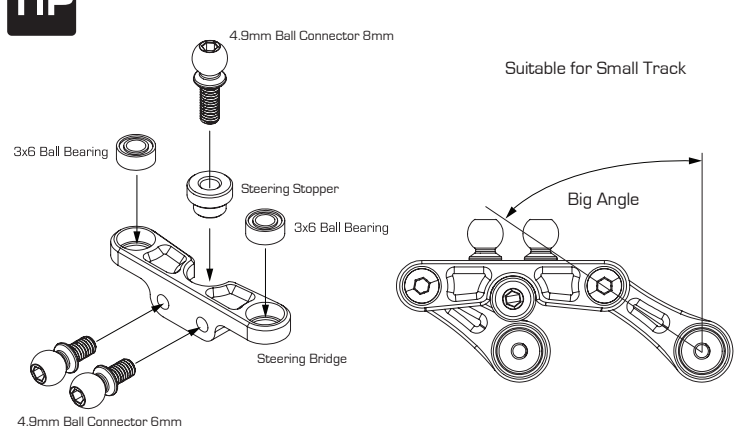
**TIP**

### Default Steering Angle Setup (27Deg)



**TIP**

### Steering Angle Setup (31Deg)



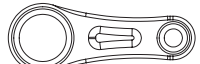
# 8



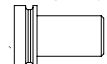
M3x6 Roundhead C-02-SC-R0306 x 6



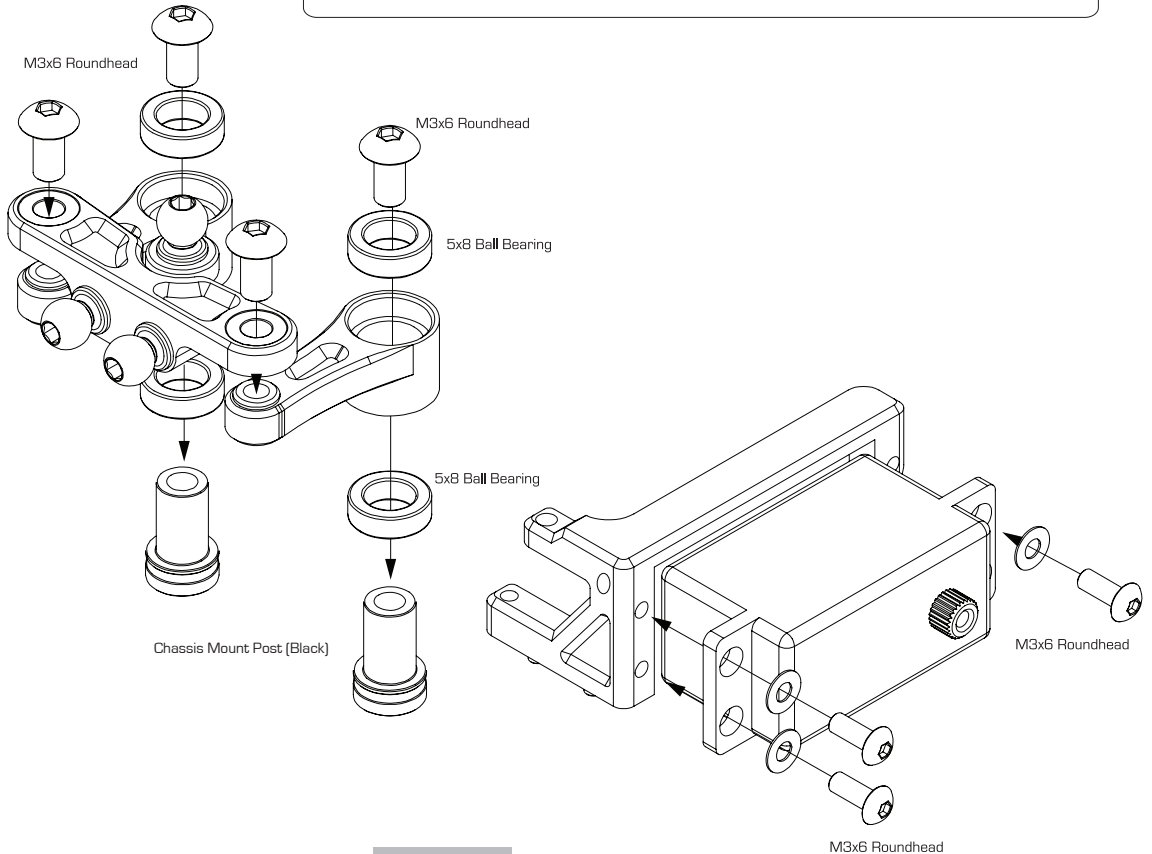
WildFireD10 Servo Mount 31563 x 1



Steering Arm (Red) 31621 x 2



Chassis Mount Post (Black) 31623 x 2

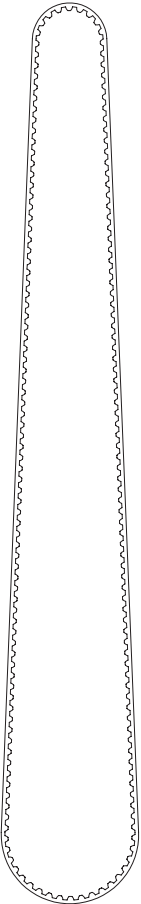


# 9

## Steering System Assembly



M3x6 Flathead C-02-SC-F0306 x 5



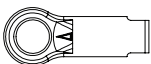
Front Belt B-03-VBC-3001 x 1



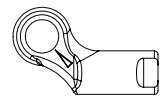
M3x42mm Turnbuckle (Black) 31624 x 2



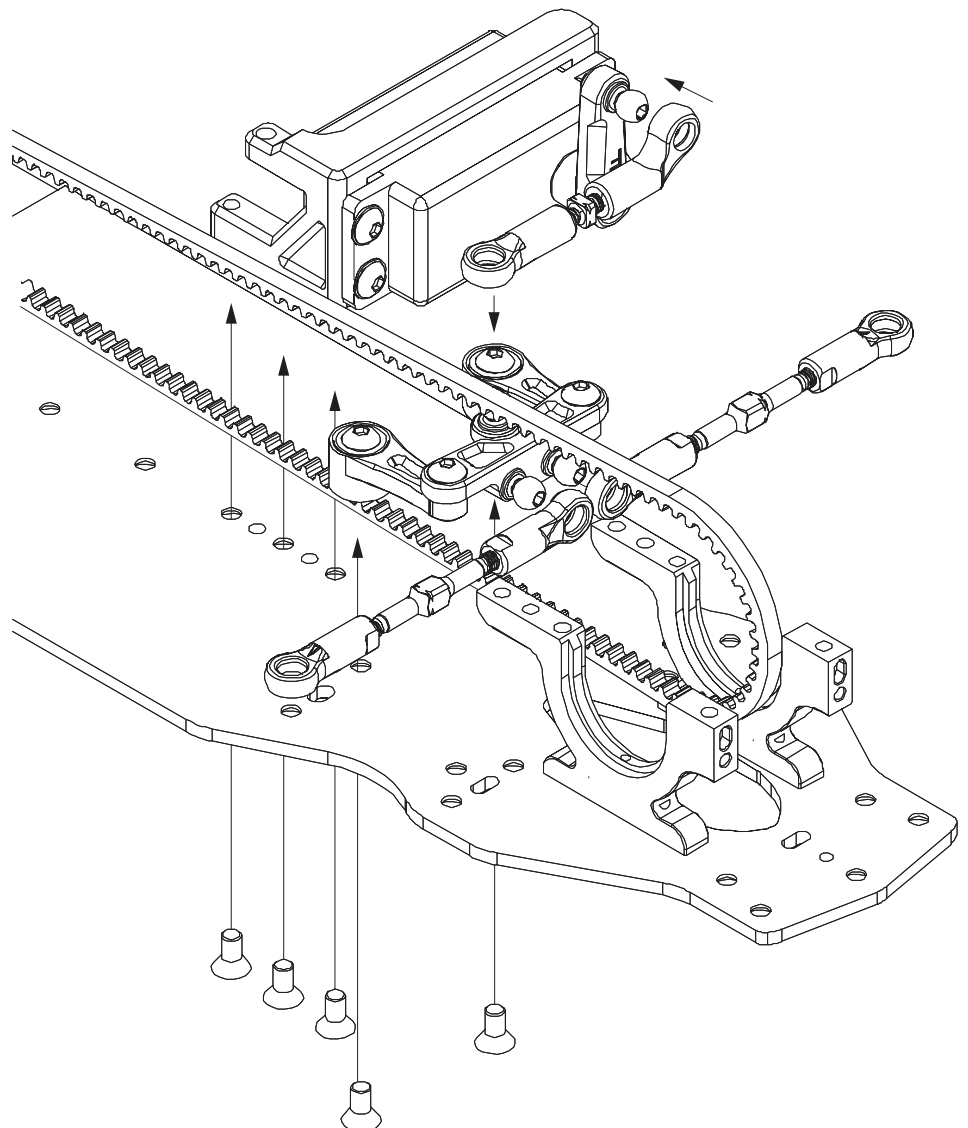
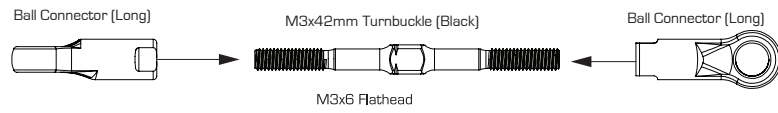
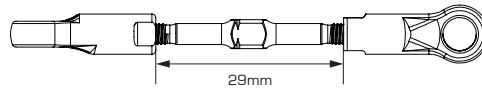
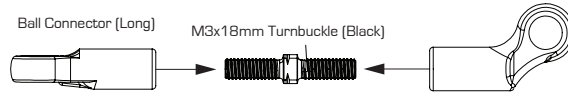
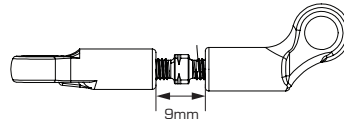
M3x18mm Turnbuckle (Black) 31625 x 1



Ball Connector (Long) 31478 x 5



Ball Connector for Servo 31481 x 1

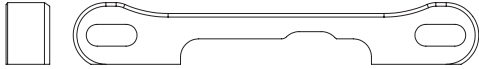


# 10

## FR Mount and Upper Deck assembly



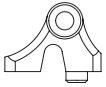
Suspension Mount Composite Insert 1 303110424 X 2



D09 FR One Piece Mount B-02-P31318 x 1



M3x6 Flathead C-02-SC-F0306 x 2



WildFireD07 Center Belt Tensioner B-02-P30158 x 1



3x6mm Ball Bearing C-02-BB-0603 x 2



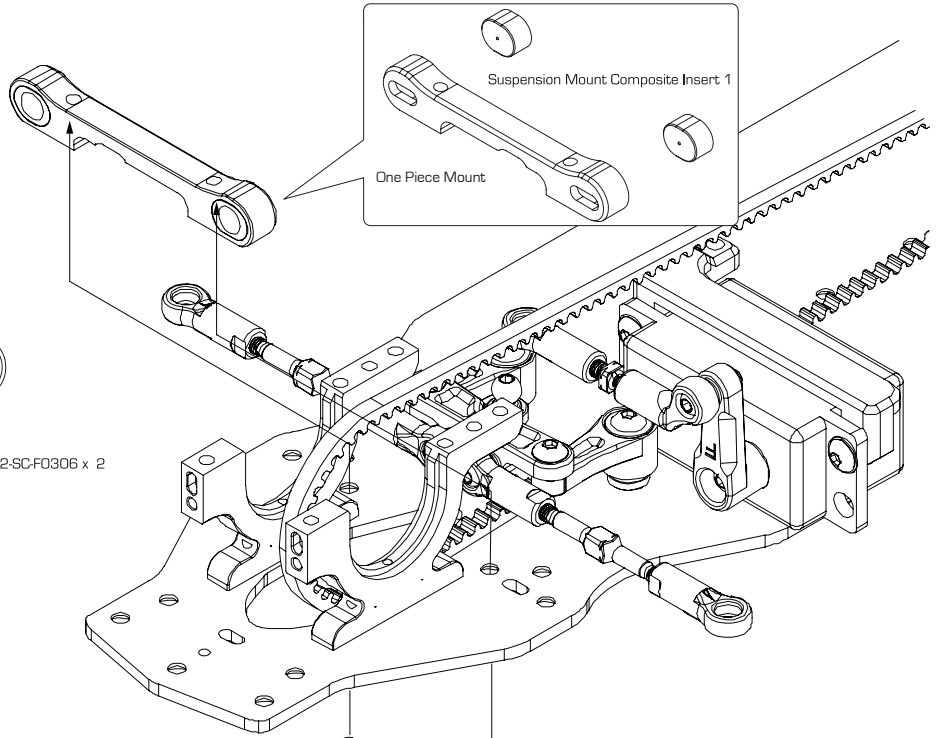
3x5x0.3mm Shim B-02-VBC-0101 x 3



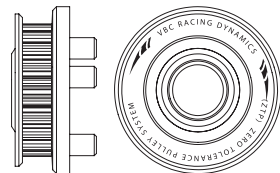
M3x10 Roundhead C-02-SC-R0310 x 1



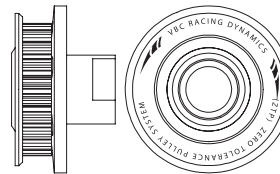
M3x6 Roundhead Screw C-02-SC-R0306 x 1



# 11



WildFireD07 Alu Center Pulley Adaptor B-02-P30219 x 1



WildFireD07 Alu Spur Gear Adaptor B-02-P30220 x 1



WildFireD07 Alu Center Pulley Spacer B-02-P30144 x 1



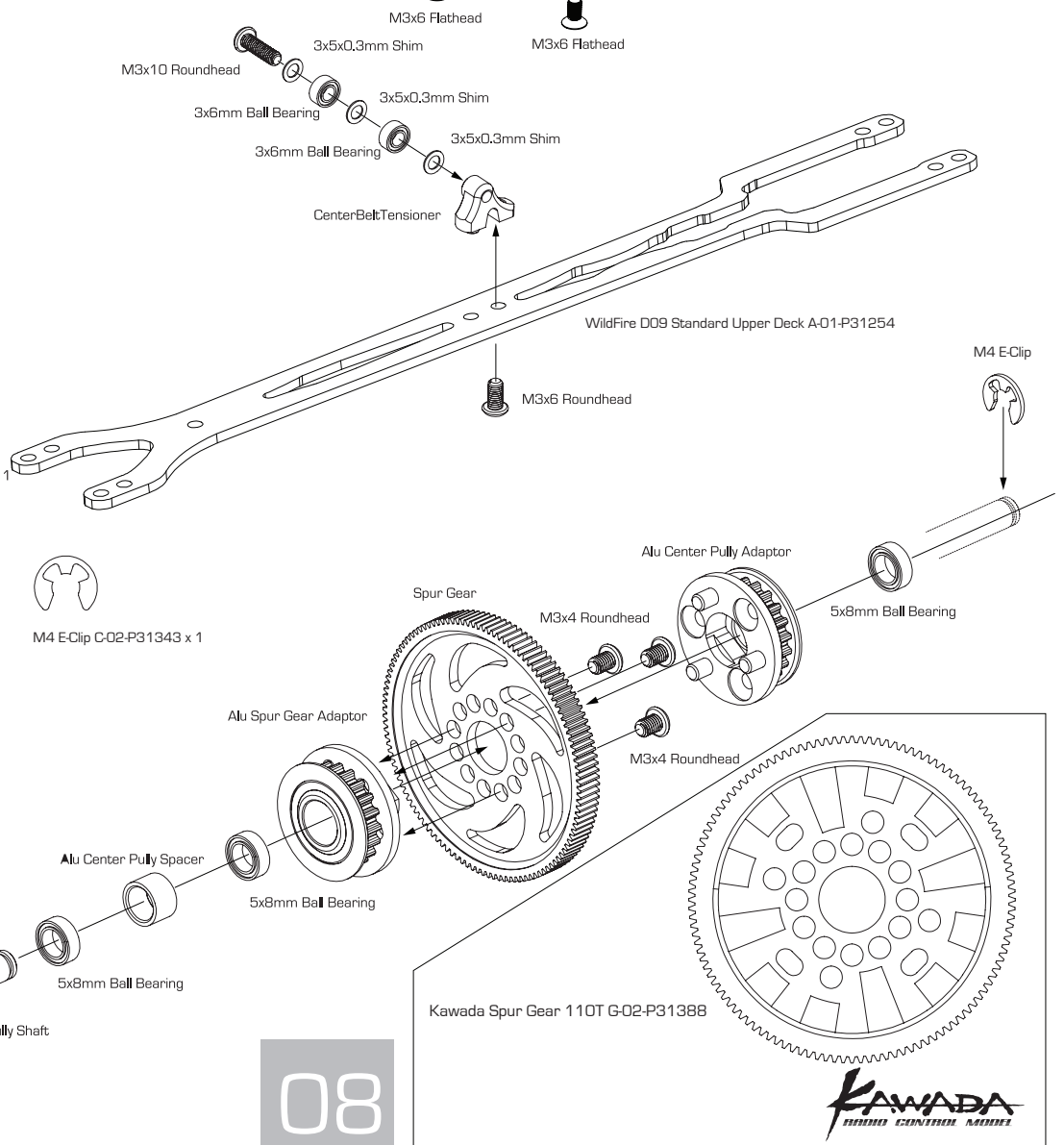
D09 Center Pulley Shaft C-02-P31253 x 1



M3x4 Round Head Screw C-02-SC-R0304 x 3



5x8mm Ball Bearing C-02-BB-0805-B x 3

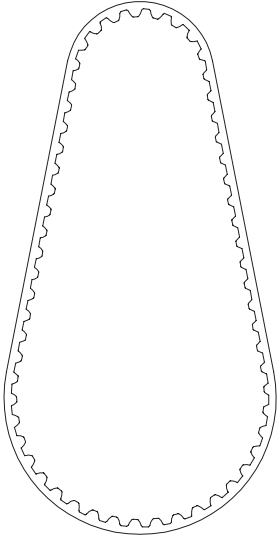


# 12

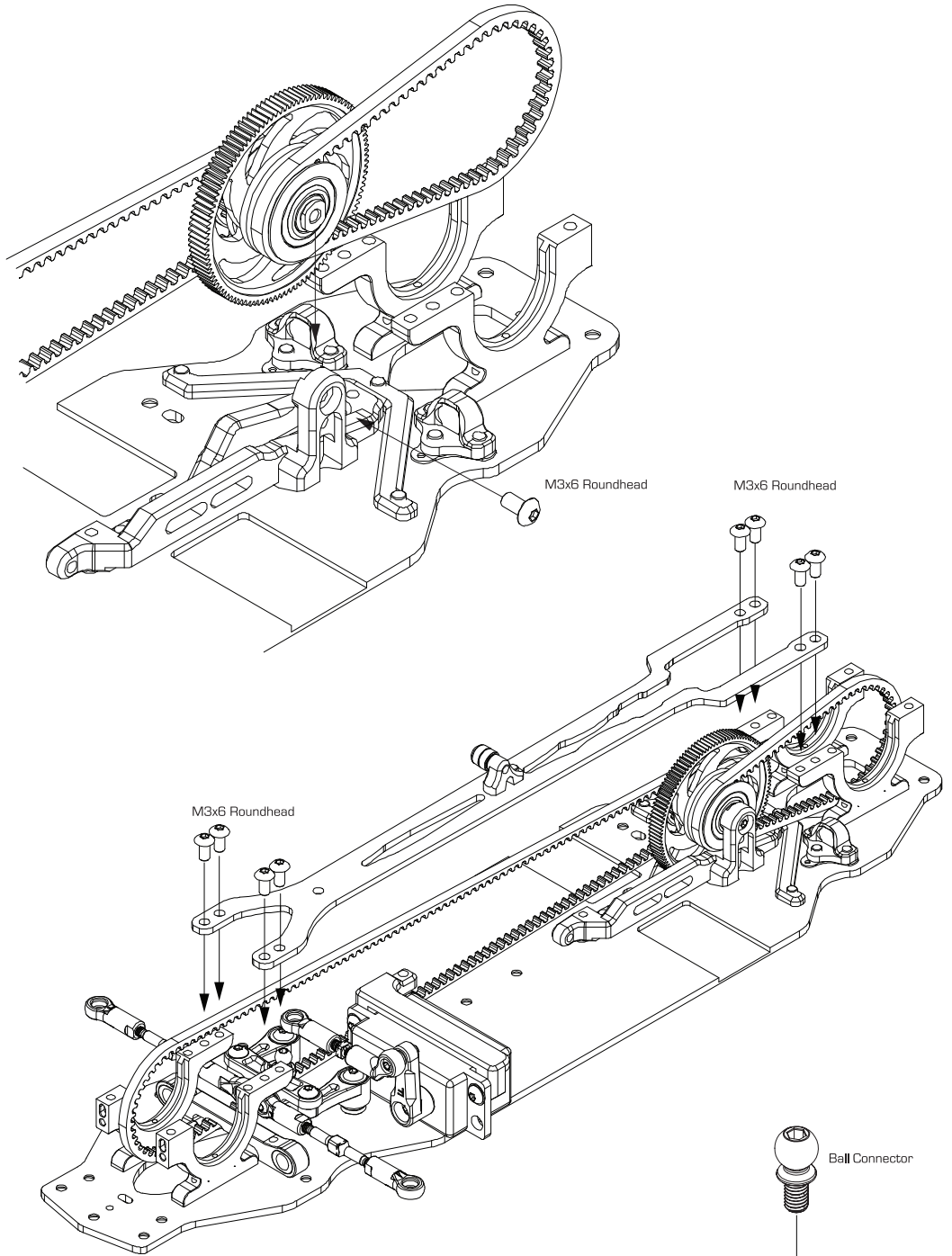
## Upper Deck Assembly



M3x6 Roundhead C-02-SC-R0306 x 9



Rear Belt B-03-G30288 x 1



# 13

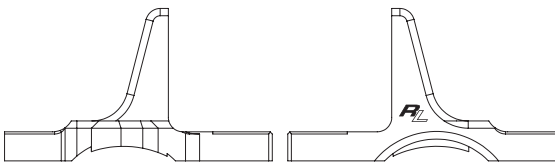
## Rear Upper Bulkhead Assembly



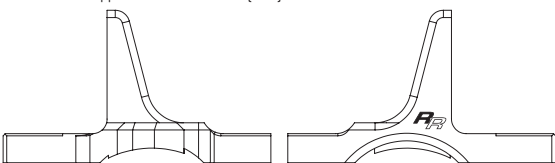
4.9mm Ball Connector 6mm Long 31517 x 2



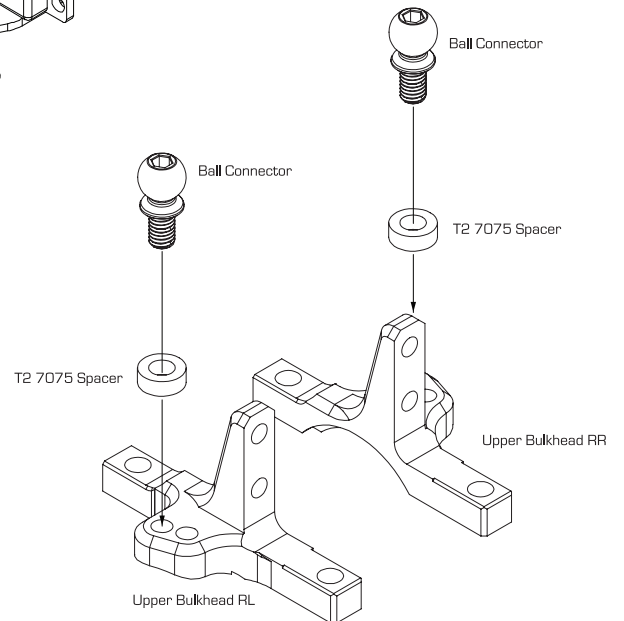
T2 7075 Spacer (Red) B-02-P30890 x 2



WildFireD10 Upper Rear Bulkhead RL (Red) 31627 x 1



WildFireD10 Upper Rear Bulkhead RR (Red) 31626 x 1



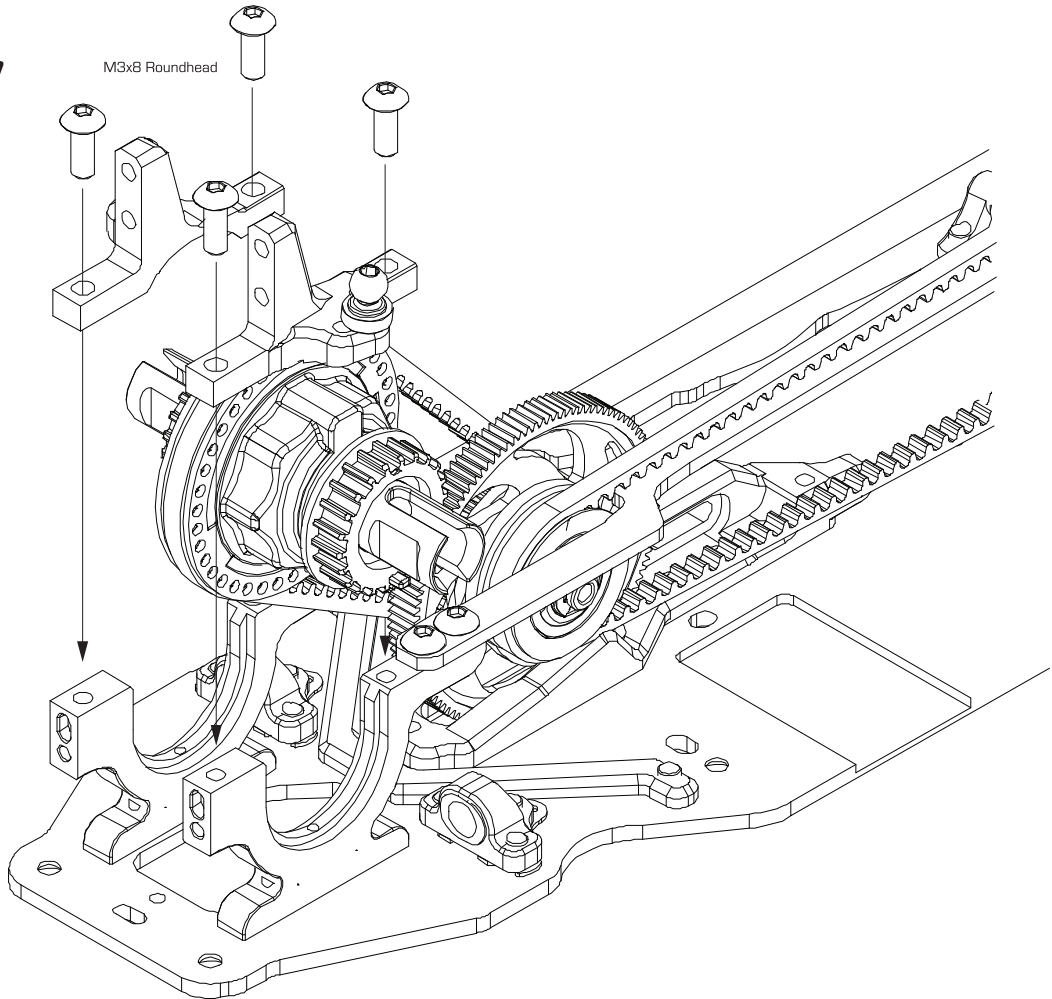


# 14

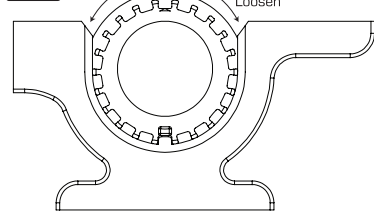
## Install Rear Drivetrain



M3x8 Roundhead C-02-SC-R0308 x 4

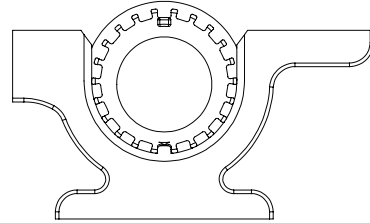


**TIP** Rear Belt Tension Adjustment



**High Diff Position**

- \*Less Traction
- \*Provides more On Power Steering
- \*Recommended For Medium - High Grip Tracks



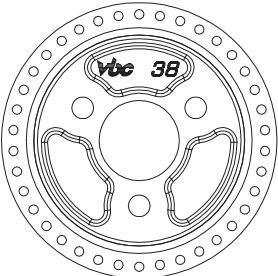
**Low Diff Position**

- \*More Traction
- \*Provides More On Power Traction
- \*Recommended For Low Grip Tracks

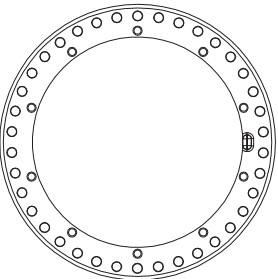


# 15

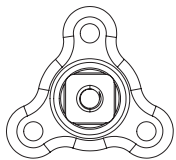
## Front Drive Train Assembly - Spool Assembly



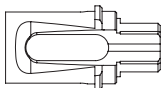
Front Spool 38T A-03-VBC-0021 x 1



Pulley Belt Guide A-03-VBC-0022 x 1

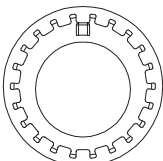


7075 Aluminium Lightweight Spool Shaft B-02-G30391

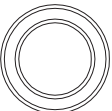


WildFire Lightweight Hard Treated 7075-T6 Spool OutDrive B-02-G31460 x 2

7075 Aluminium Lightweight Spool Shaft



Belt Tension Adjuster Ring A-03-VBC-0047 x 2



10x15 Ball Bearing C-02-BB-1510-P x 2



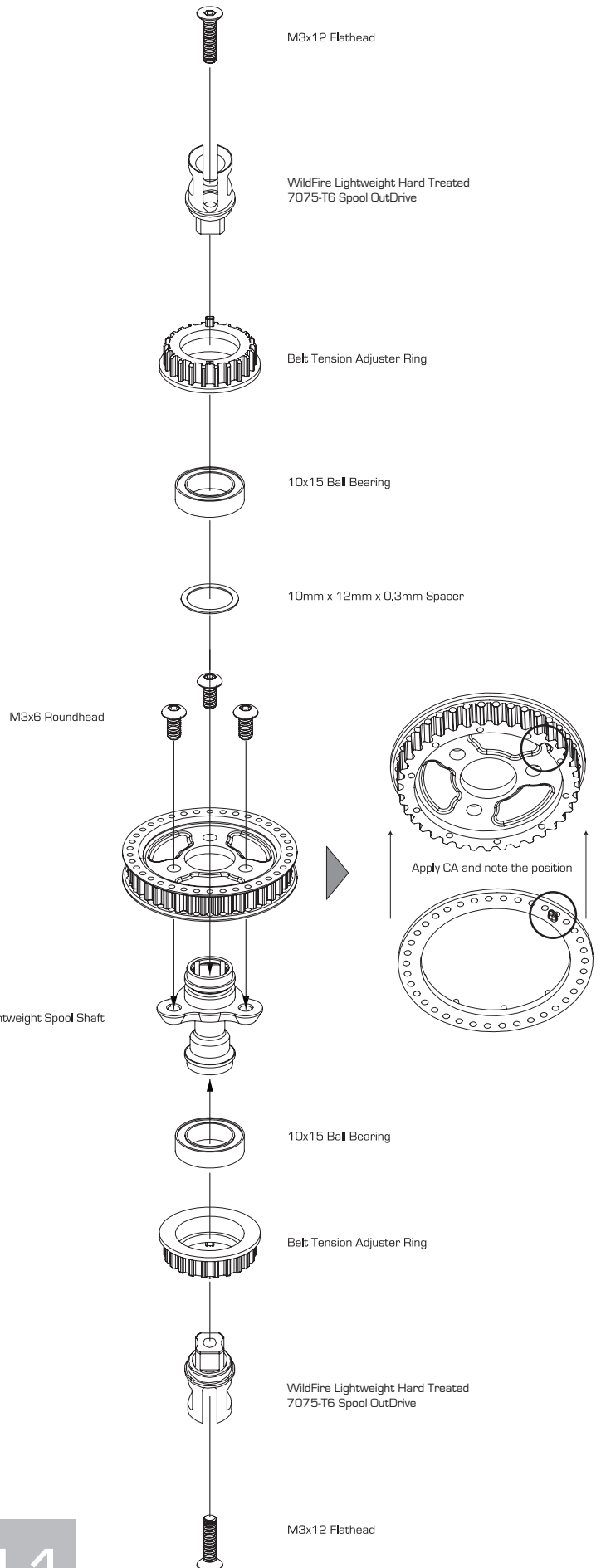
M3x12 Flathead C-02-SC-F0312 x 2



M3x6 Roundhead C-02-SC-R0306 x 3

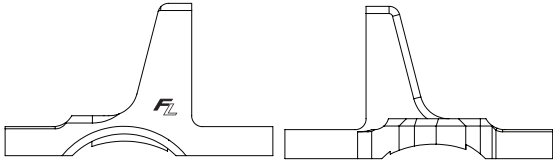


10mm x 12mm x 0.3mm Spacer C-02-P30914 x 1

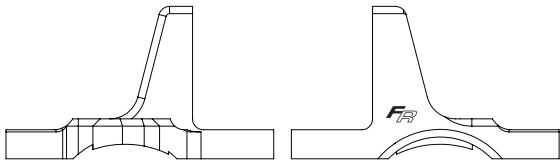


# 16

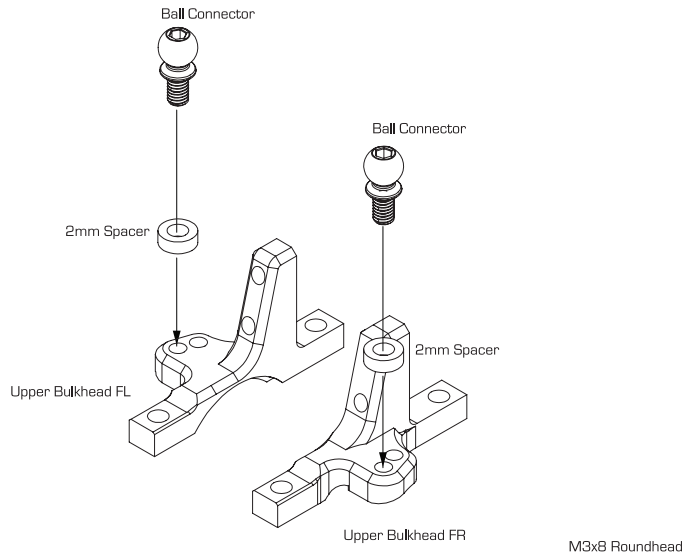
## Assemble Front Upper Bulkhead



WildFireD10 Upper Front Bulkhead FL(Red) 31628 x 1



WildFireD10 Upper Front Bulkhead FR(Red) 31629 x 1



4.9mm Ball Connector 6mm Long  
31517 x 2



T2 7075 Spacer (Red) B-02-P30890 x 2



M3x8 Roundhead C-02-SC-R0308 x 4

# 17

## Install Front Drivetrain

**TIP** Front Belt Tension Adjustment

Tighten

Neutral

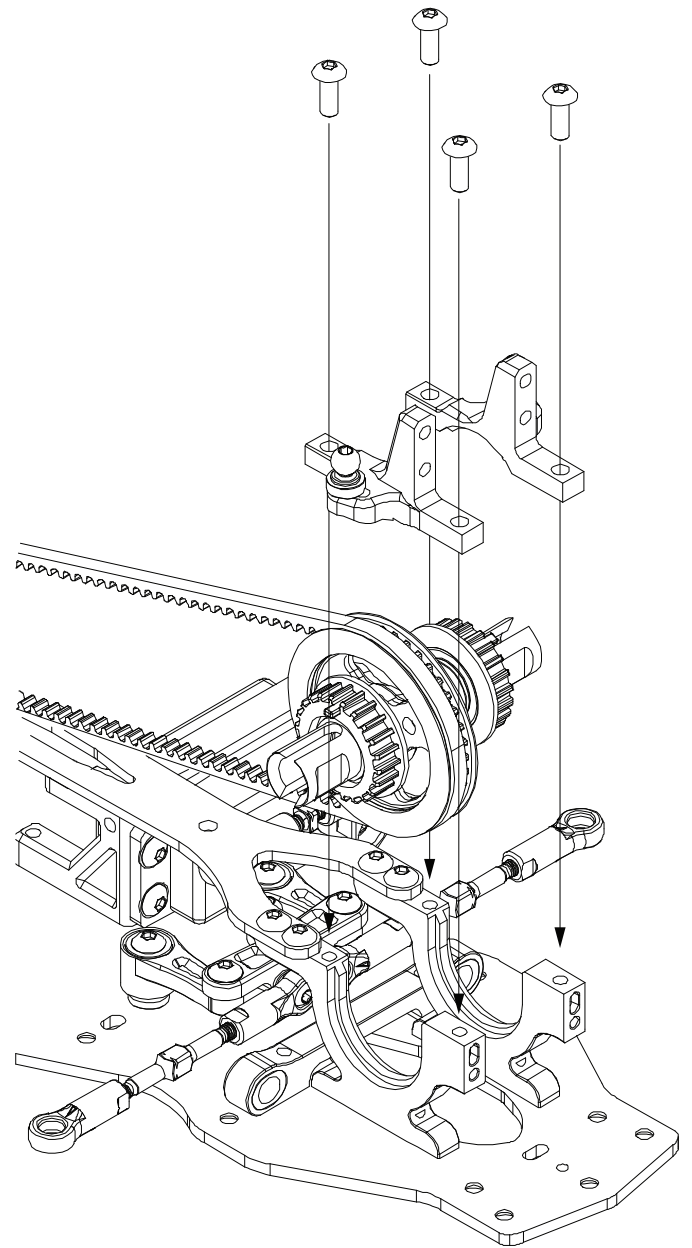
Loosen

**High Diff Position**

- \*Less Traction
- \*Provides more Steering
- \*Recommended For Medium - High Grip Tracks

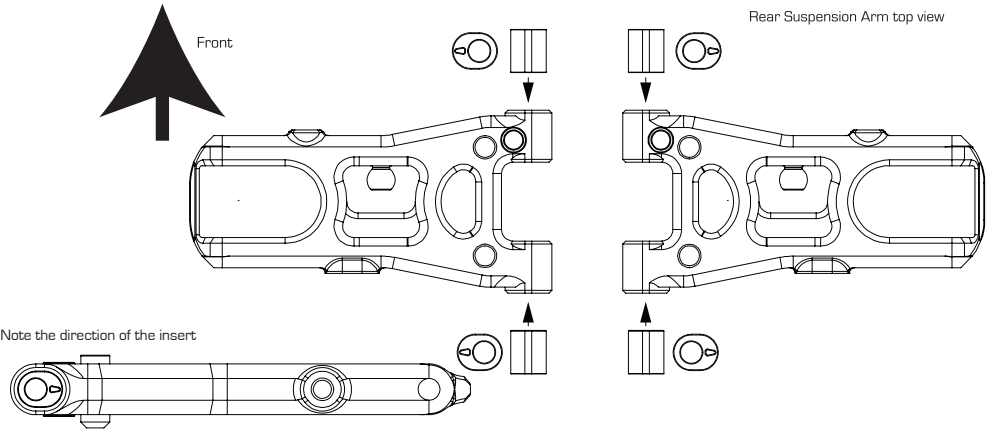
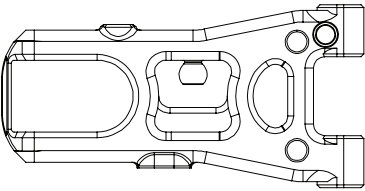
**Low Diff Position**

- \*More Traction
- \*Provides More On Power Traction
- \*Recommended For Low Grip Tracks



# 18

## Rear Suspension Arm Assembly



Graphite Composite X2 Suspension Arm Red 34186 x 2



Graphite Composite X2 Suspension Arm Insert Red 31502 x 4



T2 7075 Spacer (Red) B-02-P30890 x 2



T1 7075 Spacer (Red) B-02-P30891 x 4



Suspension Arm Pin B-02-VBC-0029 x 2



Arm Pin Pivot Ball B-02-VBC-0035 x 4



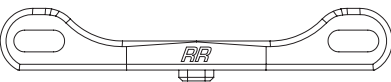
4.9mm Ball Connector 6mm Long 31517 x 2



Ball Connector B-02-VBC-0045 x 2



M3x10 Set Screw C-02-SC-SS-0310 x 2



Suspension Mount RR(Black) 31632 x 1



M4x10 Set Screw C-02-SC-SS-0410 x 2



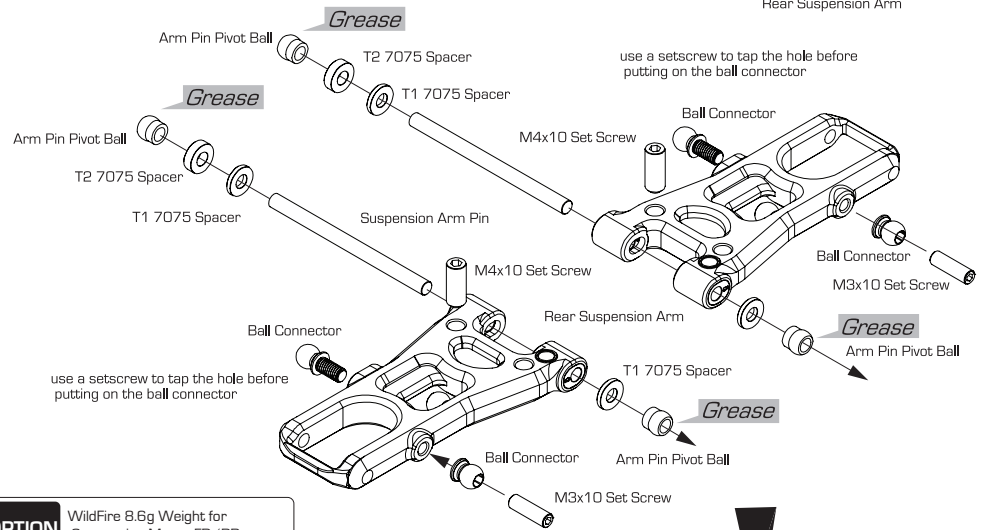
M3x6 Flat Head Screw C-02-SC-F0306 x 2



Suspension Mount Composite Insert 5 A-03-P30949 x 2

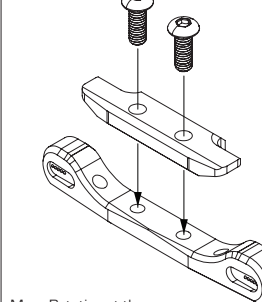


Insert M4x10 Set Screw from the top of the suspension arm for adjusting down stop. Initial setting is 1.8mm measuring from the bottom part of the arm for both sides.

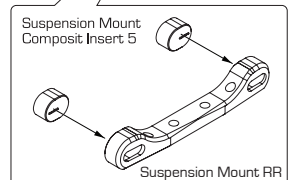
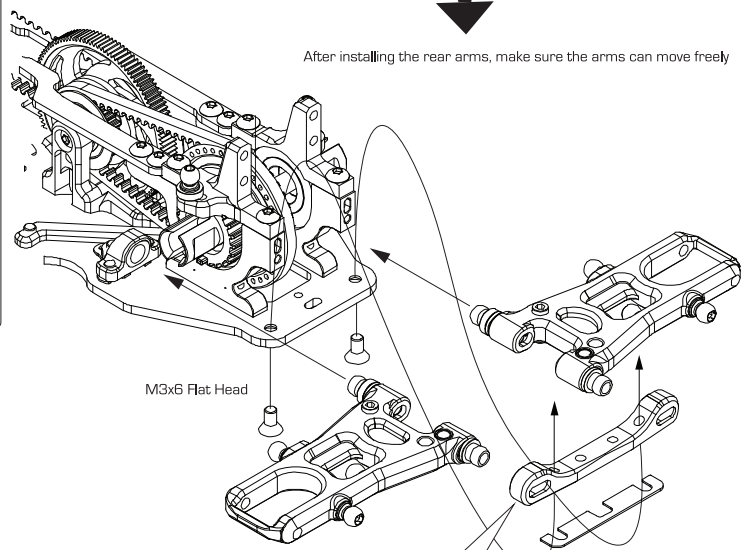


### OPTION PARTS

WildFire 8.6g Weight for Suspension Mount FR/RR C-02-G31319



After installing the rear arms, make sure the arms can move freely



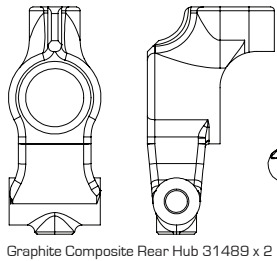
### TIP Suspension Mount Insert Chart

Composite Insert		Narrow		RF ( Split Mount)								Wide		
		5	4	3	2	1	2	3	4	5				
Narrow	Suspension Mount ]	5	2	1.75	1.5	1.25	1	0.75	0.5	0.25	0			
		4	2.25	2	1.75	1.5	1.25	1	0.75	0.5	0.25			
		3	2.5	2.25	2	1.75	1.5	1.25	1	0.75	0.5			
		2	2.75	2.5	2.25	2	1.75	1.5	1.25	1	0.75			
		1	3	2.75	2.5	2.25	2	1.75	1.5	1.25	1	0.75		
Wide	RR ( Suspension Mount ]	2	3.25	3	2.75	2.5	2.25	2	1.75	1.5	1.25			
		3	3.5	3.25	3	2.75	2.5	2.25	2	1.75	1.5			
		4	3.75	3.5	3.25	3	2.75	2.5	2.25	2	1.75			
		5	4	3.75	3.5	3.25	3	2.75	2.5	2.25	2	1.75		
		5	4	3.75	3.5	3.25	3	2.75	2.5	2.25	2	1.75		

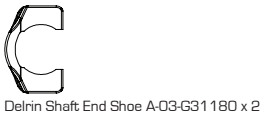
Original Setup

# 19

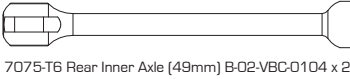
## Rear Suspension Arm Assembly Part 2



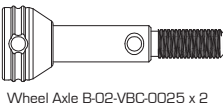
Graphite Composite Rear Hub 31489 x 2



Delrin Shaft End Shoe A-03-G31 180 x 2



7075-T6 Rear Inner Axle (49mm) B-02-VBC-0104 x 2



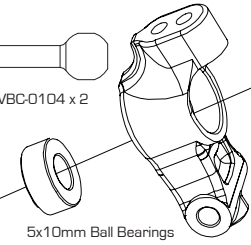
Wheel Axle B-02-VBC-0025 x 2



Ball Connector



T2 7075 Spacer



5x10mm Ball Bearings

5x10mm Ball Bearings



Axle Joint B-02-VBC-0026 x 2



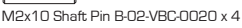
Axle Lock Spring B-02-VBC-0027 x 2



5x10mm Ball Bearings C-02-BB-1005-P x 4



M2x12 Shaft Pin B-02-VBC-3035 x 2



M2x10 Shaft Pin B-02-VBC-0020 x 4



M3x2 Set Screw C-02-SC-SS-0302 x 2



Lightweight O Offset Hex Wheel Hub B-02-P30887 x 2



4.9mm Ball Connector 8mm Long 31518 x 2



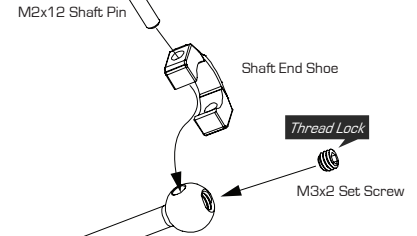
T2 7075 Spacer (Red) B-02-P30890 x 2



M3x3 Set Screw C-02-SC-SS-0303

Align the Shaft End Shoe to the Inner Axle Pin hole first and slide the 12mm Shaft Pin to the pin hole before securing the pin with M3x2 Set Screw

Note The Lock Slot Direction



Grease

Grease

Axle Joint

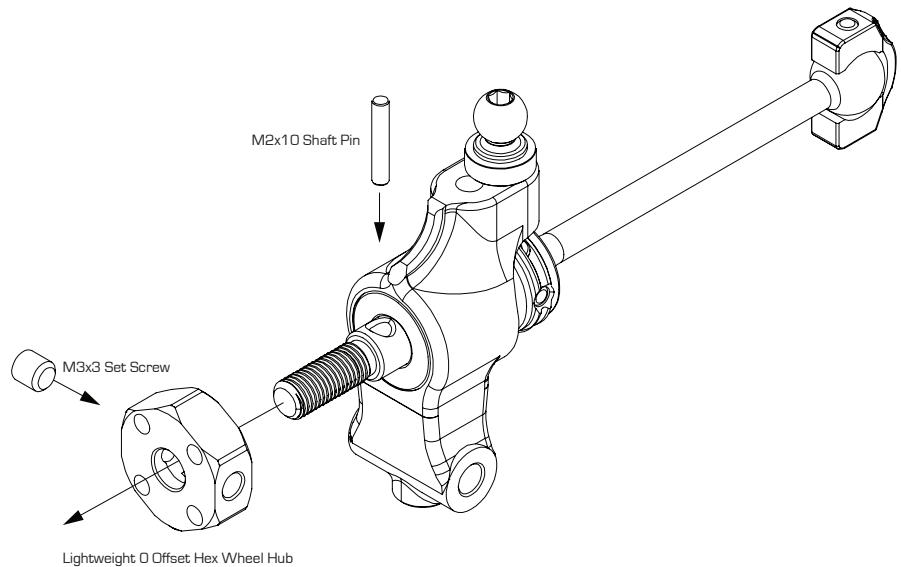
Axle Lock Spring

Optional :  
Hardened Steel Rear Inner Axle (49mm), Short D-05-VBC-0087

49mm Two-Piece Joiny Drive Axle Set, Short D-05-VBC-0092

After assembling the drive shaft, make sure the joints are free swinging.

X2



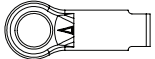
M2x10 Shaft Pin

M3x3 Set Screw

Lightweight O Offset Hex Wheel Hub

# 20

## Rear Suspension Arm Assembly Part 3



Ball Connector (Long) 31478 x 4



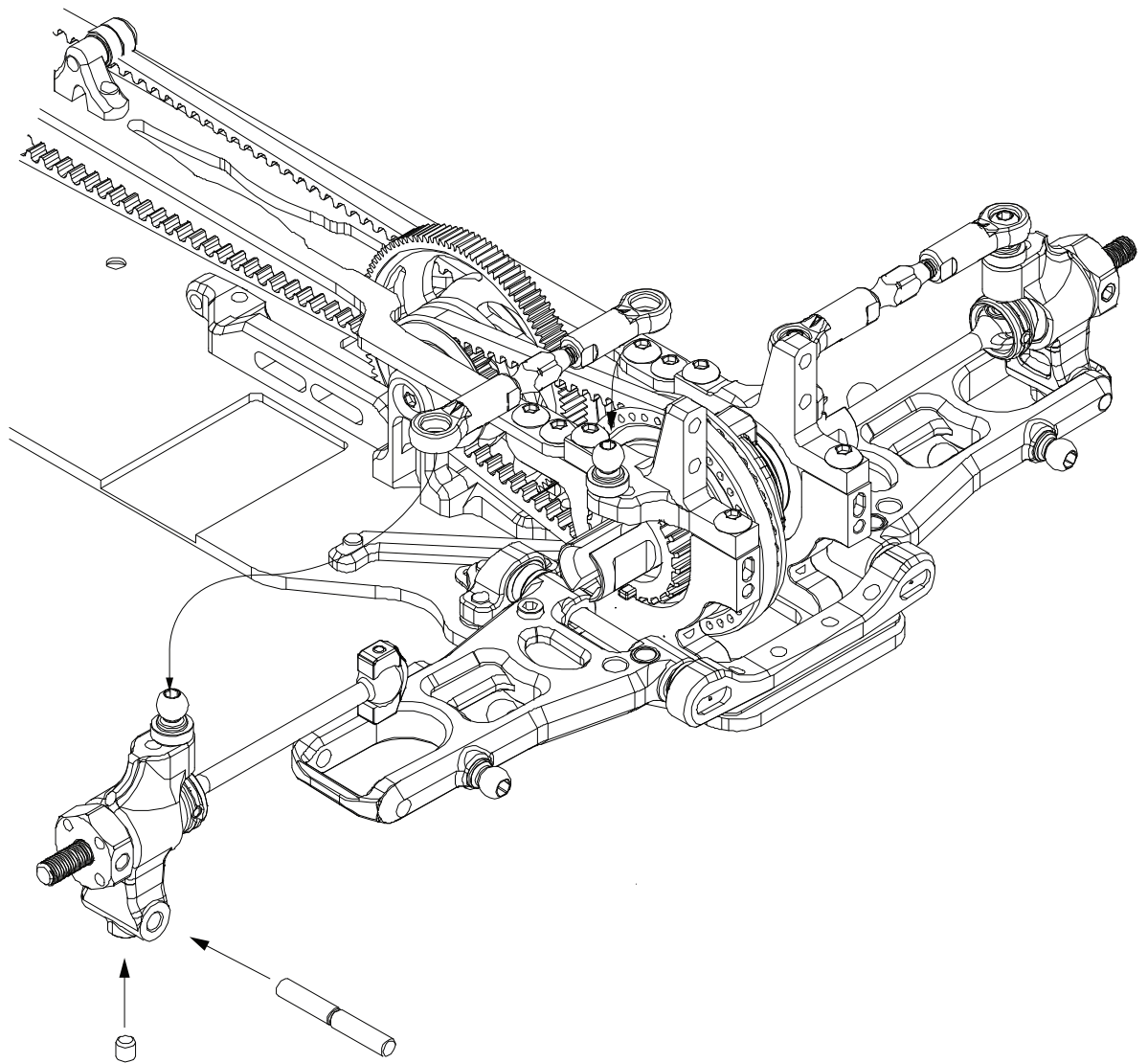
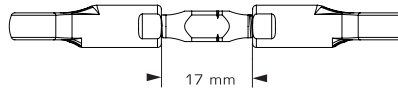
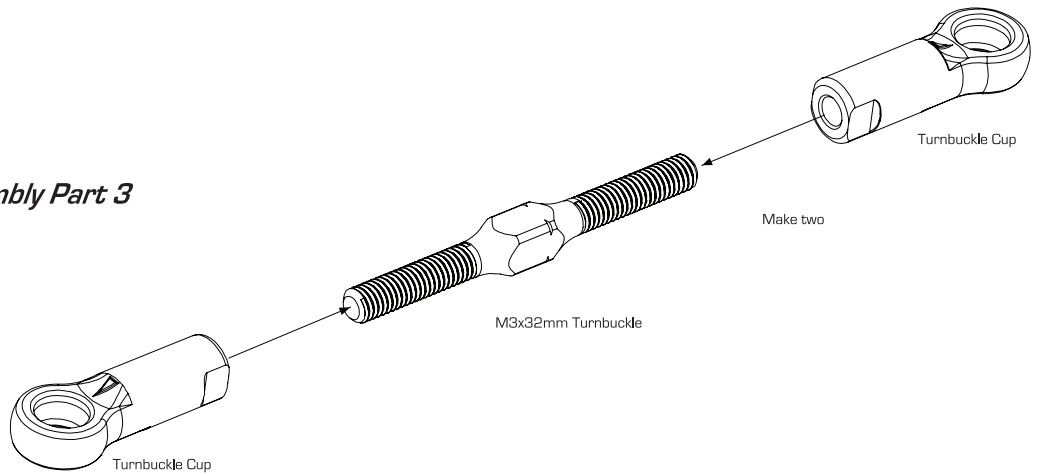
M3x32mm Turnbuckle B-02-VBC-0036 x 2



M3x23 Upright Pin B-02-VBC-0032 x 2



M3x4 Set Screw C-02-SC-SS-0304 x 2



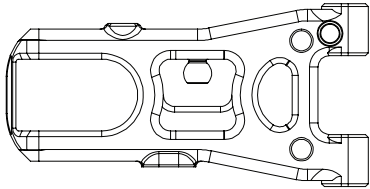
M3x4 Set Screw

M3x23 Upright Pin

Tighten the set screw. Screw should be flat to the arm bottom and do not over tighten.

# 21

## Front Suspension Assembly Part 1



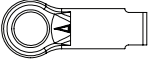
Graphite Composite X2 Suspension Arm Red 34186 x 2



Graphite Composite X2 Suspension Arm Insert Red 31502 x 4



4.9mm Ball Connector 6mm Long 31517 x 2



Ball Connector (Long) 31478 x 2



T2 7075 Spacer (Red) B-02-P30B90 x 2



T1 7075 Spacer (Red) B-02-P30B91 x 4



Suspension Arm Pin B-02-VBC-0029 x 2



Ball Connector B-02-VBC-0045 x 4



Arm Pin Pivot Ball B-02-VBC-0035 x 4

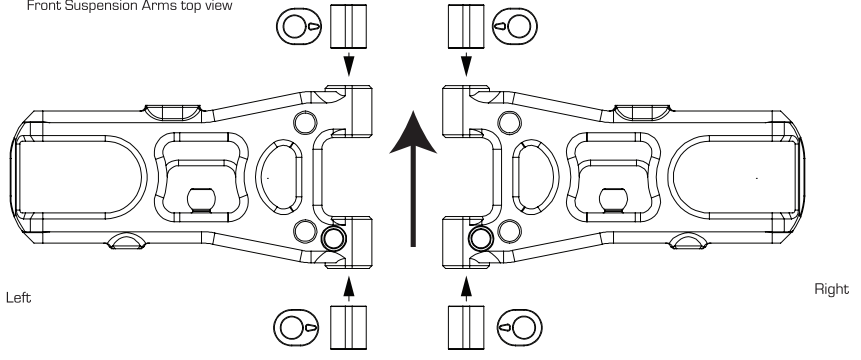


M4x10 Set Screw C-02-SC-SS-0410 x 2



M3x10 Set Screw C-02-SC-SS-0310 x 2

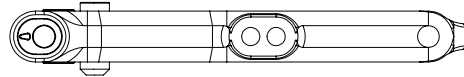
Front Suspension Arms top view



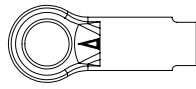
Left

Right

Note the direction of the insert



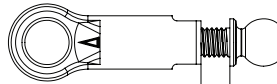
Insert M4x10 Set Screw from the top of the suspension arm for adjusting down stop. Initial setting is 1.8mm measuring from the bottom part of the arm for both sides.



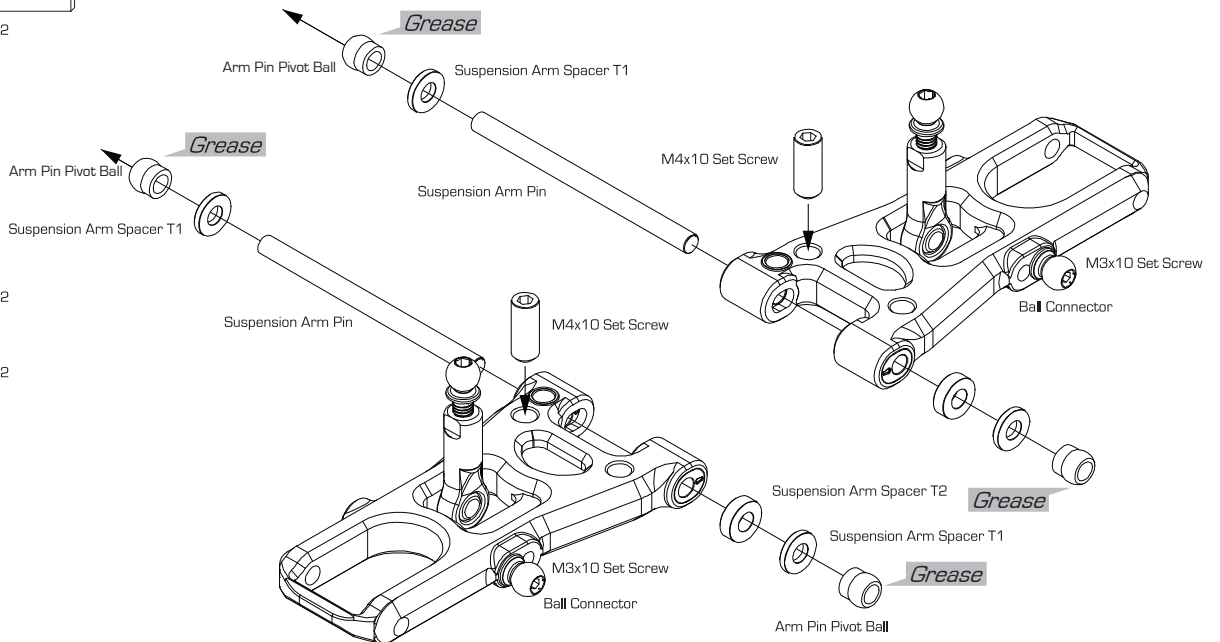
Ball Connector (Long)



4.9mm Ball Connector 6mm Long



3mm



# 22

## Front Suspension Assembly Part 2



Suspension Mount FF(Black) 31633 x 1



M3x6 Flat Head Screw C-02-SC-F0306 x 2

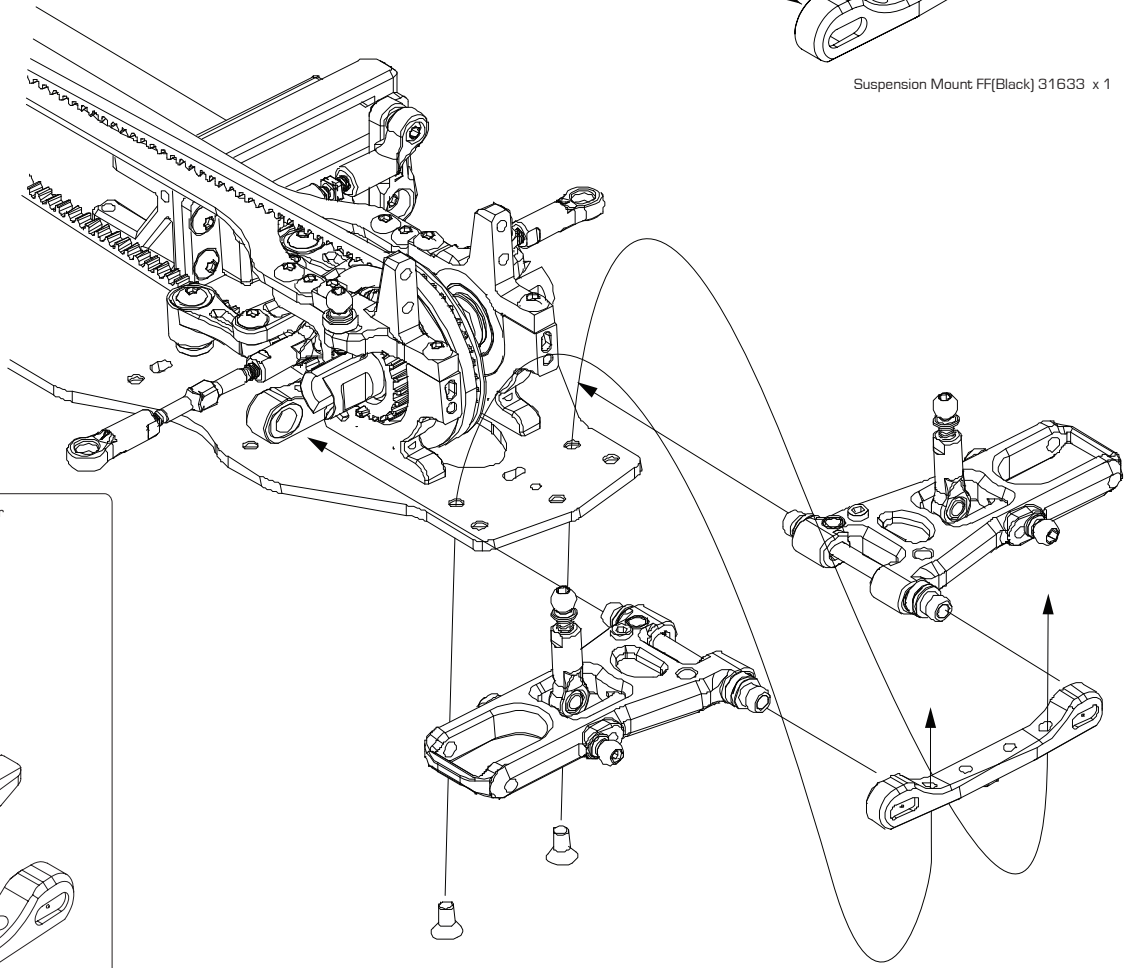
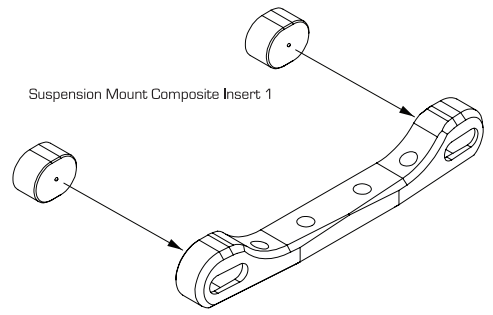


Suspension Mount Composite Insert 1 A03P30945 X 2

### TIP Suspension Mount Insert Chart



Composite Insert	Narrow	FR ( Split Mount)								Wide	
		5	4	3	2	1	2	3	4		5
Narrow	FF (Suspension Mount )	5	0	0.25	0.5	0.75	1	1.25	1.5	1.75	2
		4	-0.25	0	0.25	0.5	0.75	1	1.25	1.5	1.75
		3	-0.5	-0.25	0	0.25	0.5	0.75	1	1.25	1.5
		2	-0.75	-0.5	-0.25	0	0.25	0.5	0.75	1	1.25
		1	-1	-0.75	-0.5	-0.25	0	0.25	0.5	0.75	1
Wide	FF (Suspension Mount )	2	-1.25	-1	-0.75	-0.5	-0.25	0	0.25	0.5	0.75
		3	-1.5	-1.25	-1	-0.75	-0.5	-0.25	0	0.25	0.5
		4	-1.75	-1.5	-1.25	-1	-0.75	-0.5	-0.25	0	0.25
		5	-2	-1.75	-1.5	-1.25	-1	-0.75	-0.5	-0.25	0



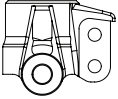
**OPTION PARTS** WildFireD09 8.6g Weight for Suspension Mount FR/RR C-02-G31319

Less Front Steering Response

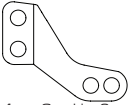


# 23

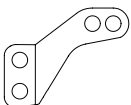
## Front Suspension Assembly Part 3



Graphite Composite Steering Block 31488 x 2



4mm Graphite Steering Arm L 31583 x 1



4mm Graphite Steering Arm R 31584 x 1



M3x6 Roundhead Screw C-02-SC-R0310 x 4



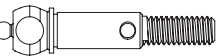
M3 Nut C-02-SC-NN03 x 6



Double Joint Bone for Xray,VBC 41.3mm A-03-VBC-0069 x 2



Delrin Shaft End Shoe A-03-G31180 x 2



Double Joint Axle Shaft C-02-P30944 x 2



Double Joint Inner C-02-P30940 x 4



Double Joint Lock Spring Ring C-02-P30943 x 4



Double Joint Case C-02-P30942 x 2



Double Joint Pin 1.58 x 8.98 C-02-P30941 x 4



5x10x3mm Ball Bearing C-02-BB-1053-B x 2



5x10x4mm Ball Bearing C-02-BB-1005-P x 2



M2x10 Shaft Pin B-02-VBC-3035 x 2



M3x2 Set Screw C-02-SC-SS-0302 x 2



Lightweight O Offset Hex Wheel Hub B-02-P30887 x 2



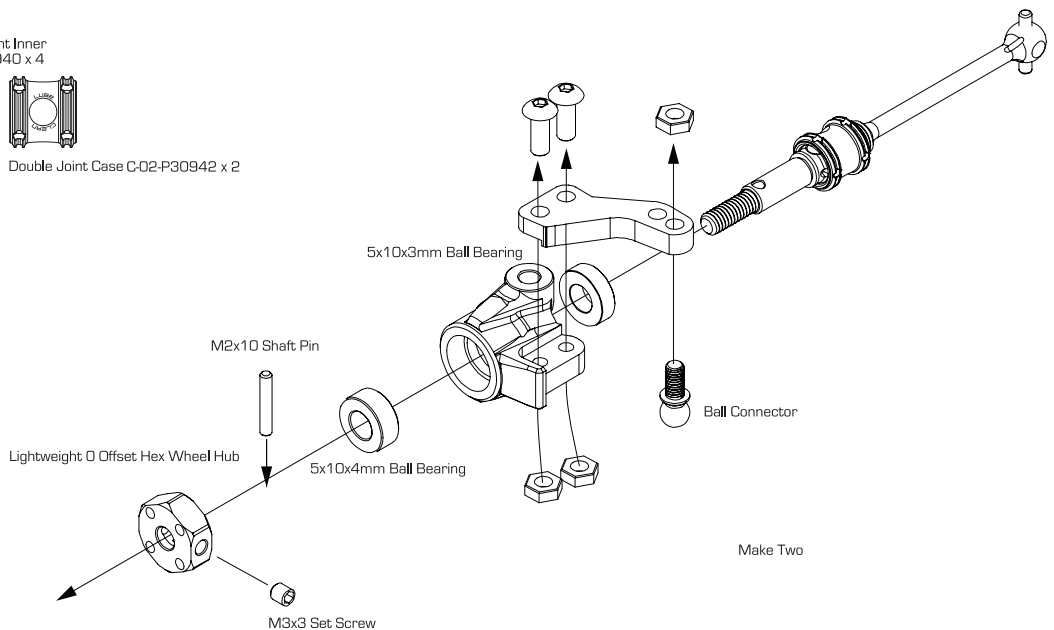
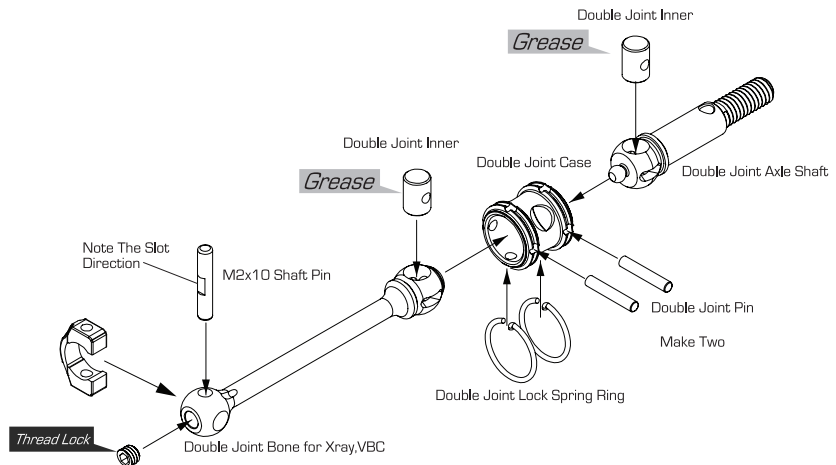
M3x3 Set Screw C-02-SC-SS-0303



Ball Connector (5mm Length) B-02-VBC-0021 x 2

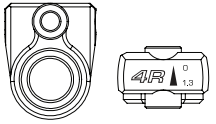


M2x10 Shaft Pin B-02-VBC-0020 x 2

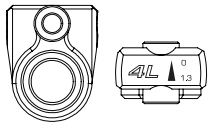


# 24

## Front Suspension Assembly Part 4



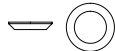
Aluminium Steering Support Right 31509 X 1



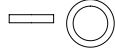
Aluminium Steering Support Left 31510 X 1



4.9mm King Pin 6mm Long 31519 X 2



6x3x1.5mm Cone Washer (Black) 31578 X 2



5.5x4x1mm Shims (Red) 31577 X 2



Ball Connector (Long) 31478 x 4



M4x12 Roundhead Screw 31641 x 2



4x8 Ball Bearings C-02-BB-0804 x 4



T2 7075 Spacer (Red) B-02-P30890 x 2



Ball Connector B-02-VBC-0045 x 2



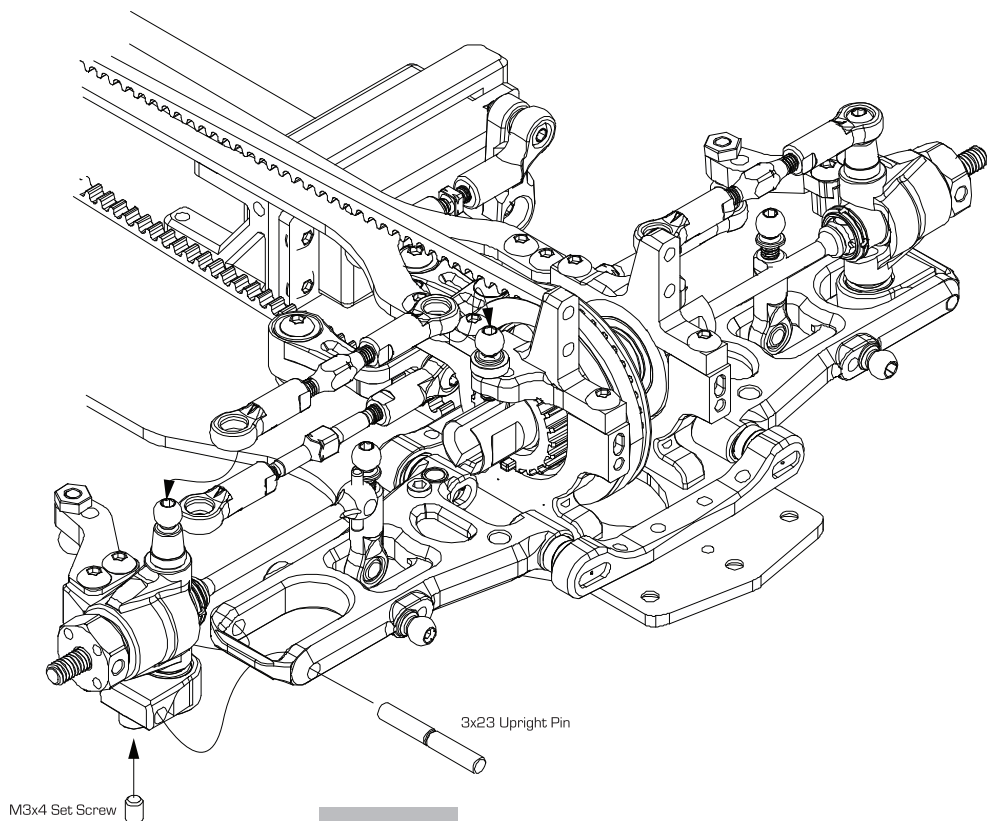
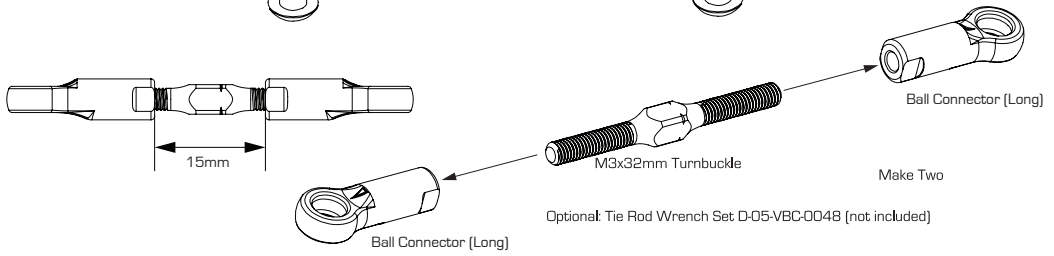
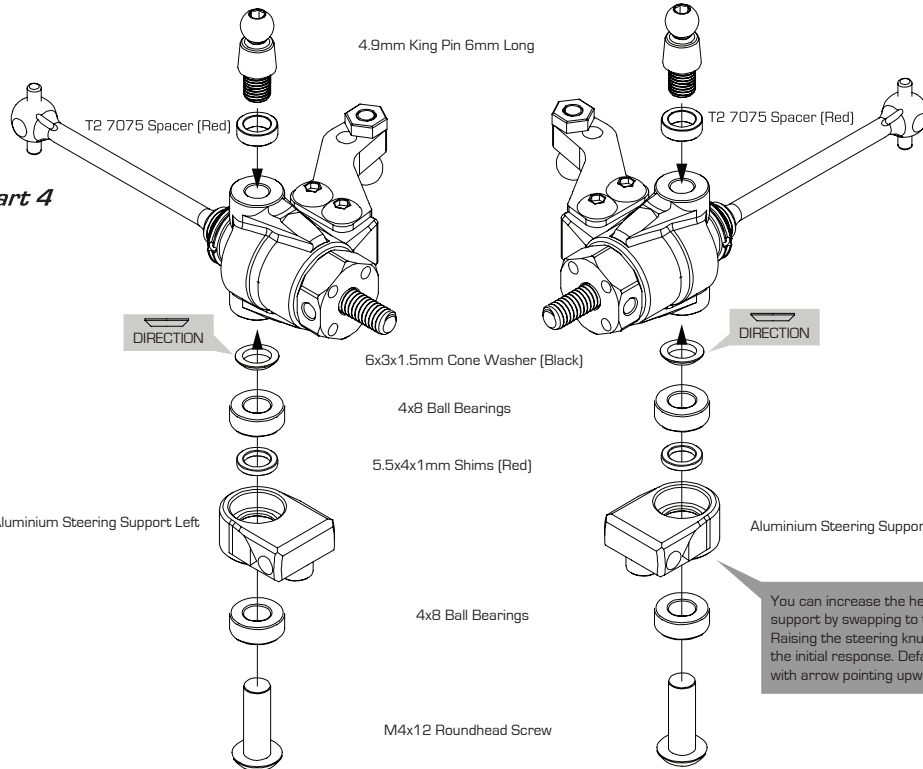
M3x32mm Turnbuckle B-02-VBC-0036 x 2



3x23 Upright Pin B-02-VBC-0032 x 2

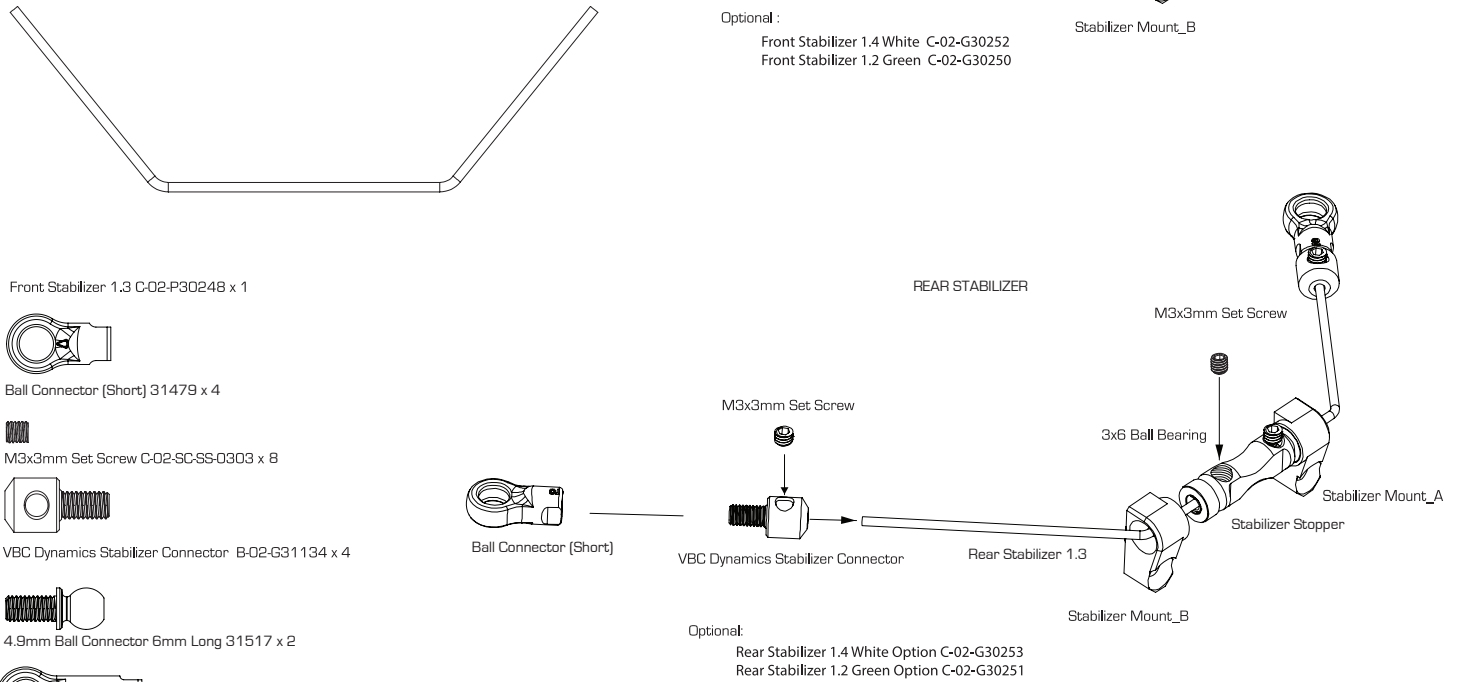
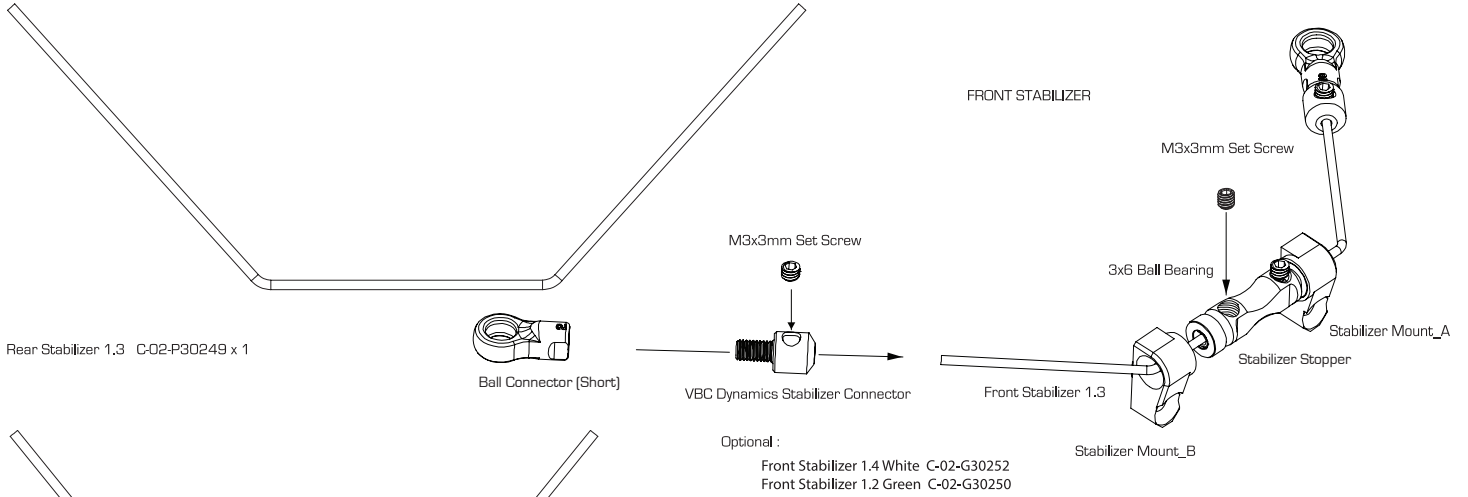


M3x4 Set Screw C-02-SC-SS-0304 x 2

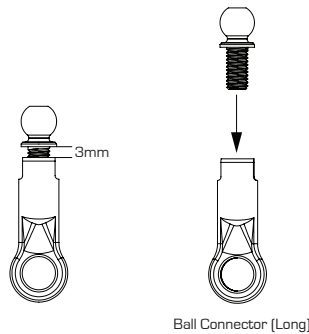


# 25

## Front and Rear Stabilizers



MAKE TWO

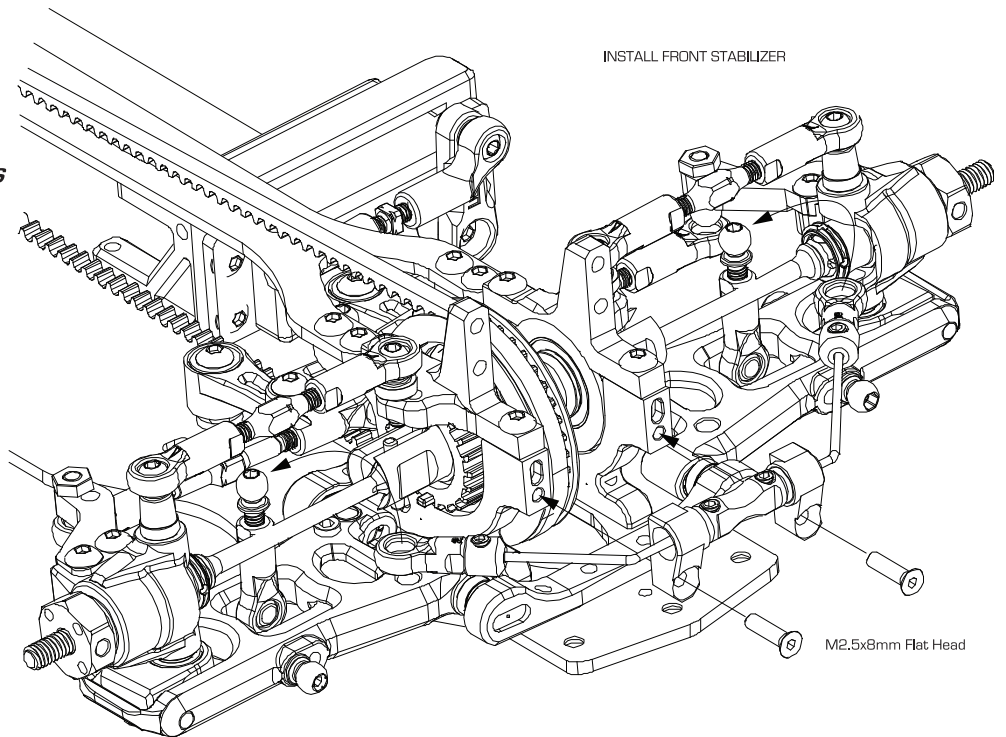


# 26

## Install Front and Rear Stabilizers



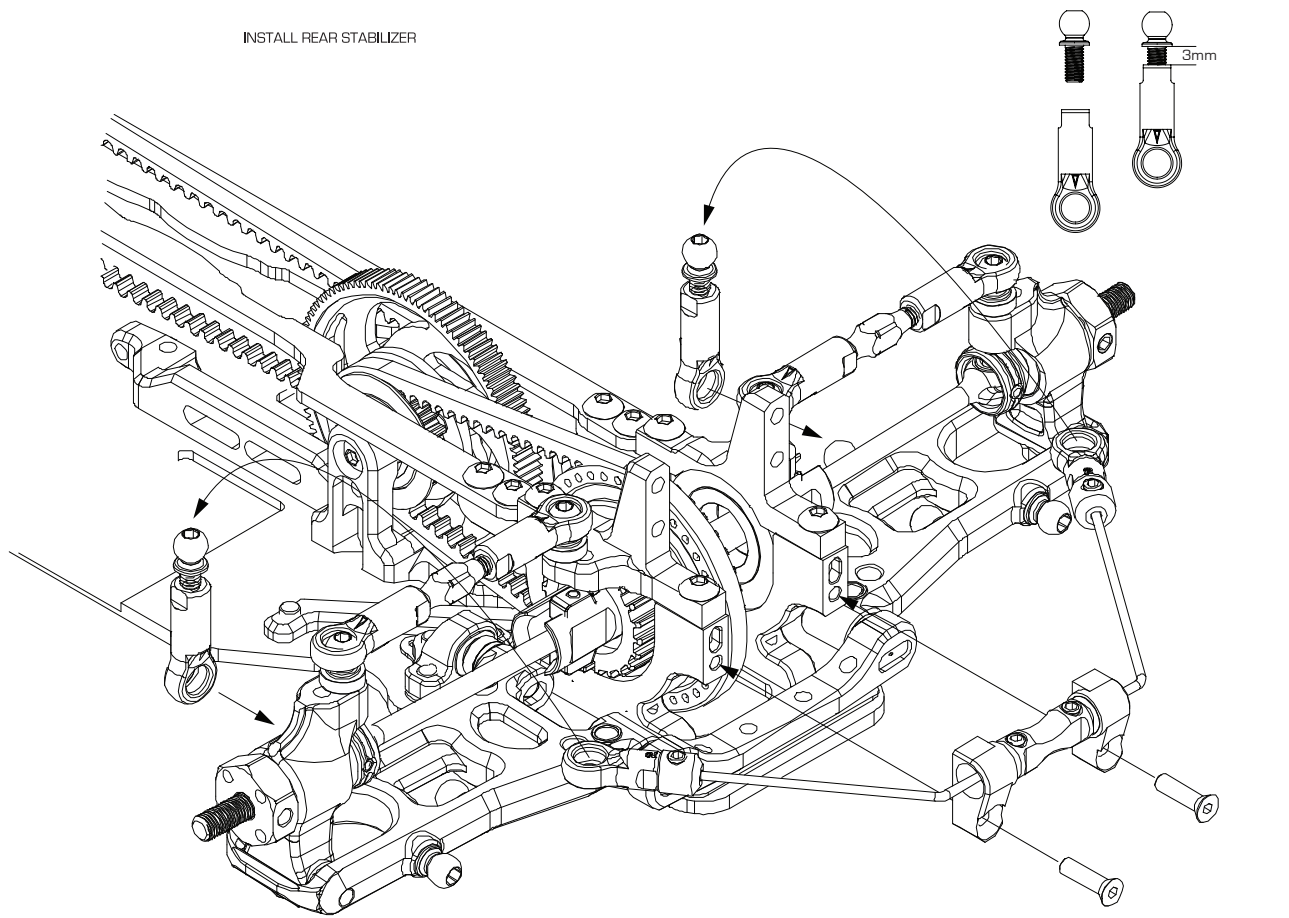
M2.5x8mm Flat Head Screw C-02-SC-F0258 x 4



INSTALL FRONT STABILIZER

M2.5x8mm Flat Head

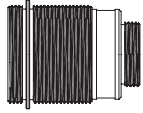
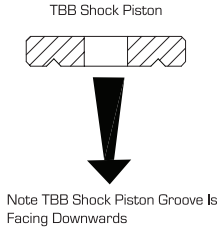
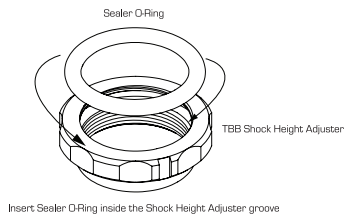
INSTALL REAR STABILIZER



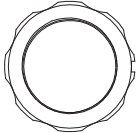
M2.5x8mm Flat Head

# 27

## Assemble Oil Shocks



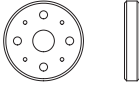
TBBS-P Shock Body(Black) 31470 x 4



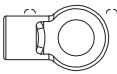
TBB Shock Height Adjuster(Black) 31636 x 4



TBBS Bottom Cap(Black) 31637 x 4



TBB Shock Piston (4 holes) A-03-VBC-0138 x 4



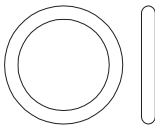
TBB Shock Bottom Connector A-03-VBC-0124 x 4



TBB Shaft Cap B-03-VBC-0125 x 4



TBBS Shock Shaft C-02-G30957 x 4



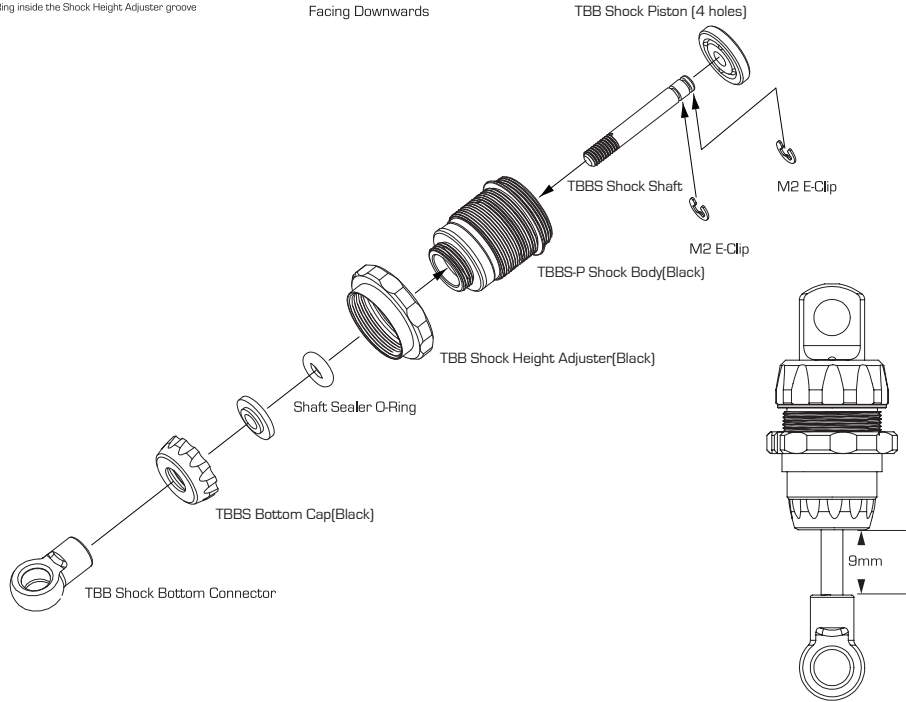
Sealer O-Ring (Shock Height Adjuster) B-03-VBC-0128 x 4



Shaft Sealer O-Ring B-03-VBC-0012 x 4



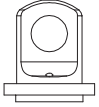
M2 E-Clip B-02-VBC-0129 x 8



OPTION PARTS		SMJ SILVER LINE SPRING	
N-01-G30991		SMJ Silver Line Spring TS2.8 (Short/Blue) for TBBS	
N-01-G30992		SMJ Silver Line Spring TS3.0 (Short/Silver) for TBBS	
N-01-G30993		SMJ Silver Line Spring TS3.2 (Short/Pink) for TBBS	
N-01-G30994		SMJ Silver Line Spring TS3.5 (Short/Gold) for TBBS	
N-01-G31272		SMJ Silver Line Progressive Spring TS2.5-2.7 (Short/Yellow) for TBBS	
N-01-G31273		SMJ Silver Line Progressive Spring TS2.5-2.8 (Short/Red) for TBBS	
N-01-G31274		SMJ Silver Line Progressive Spring TS2.5-3.0 (Short/Purple) for TBBS	

# 28

## Assemble Oil Shocks Part 2



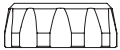
TBB Shock Top Connector A-03-VBC-0130 x 4



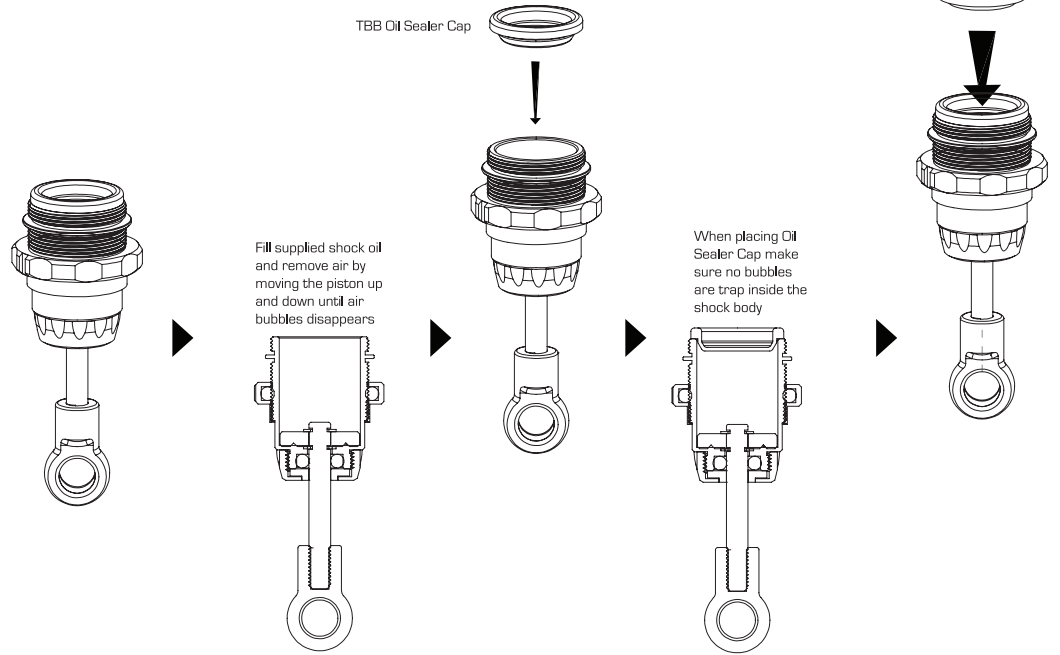
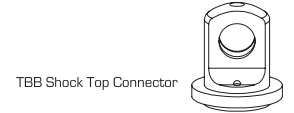
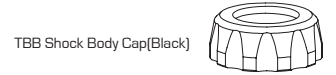
TBB Spring Bottom Support A-03-VBC-0131 x 4



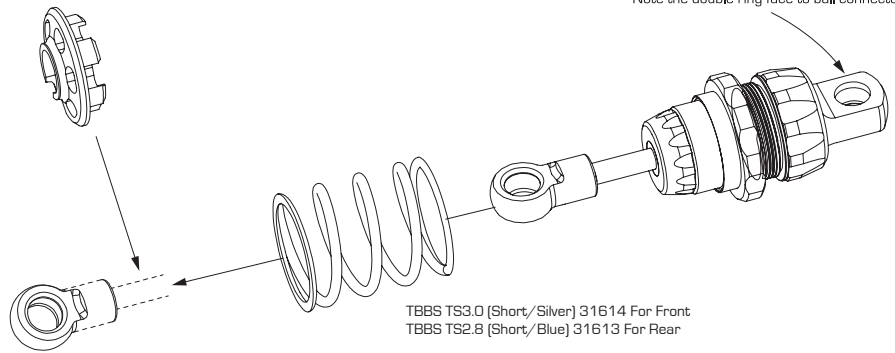
TBB Oil Sealer Cap (Medium Soft)  
B-03-VBC-0132 x 4



TBB Shock Body Cap[Black] 31638 x 4

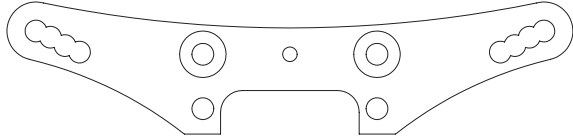


TBB Spring Bottom Support



# 29

## Install Front Shocks



Front TBBS Shock Tower A-03-P30892 x 1



Ball Connector B-02-VBC-0045 x 2



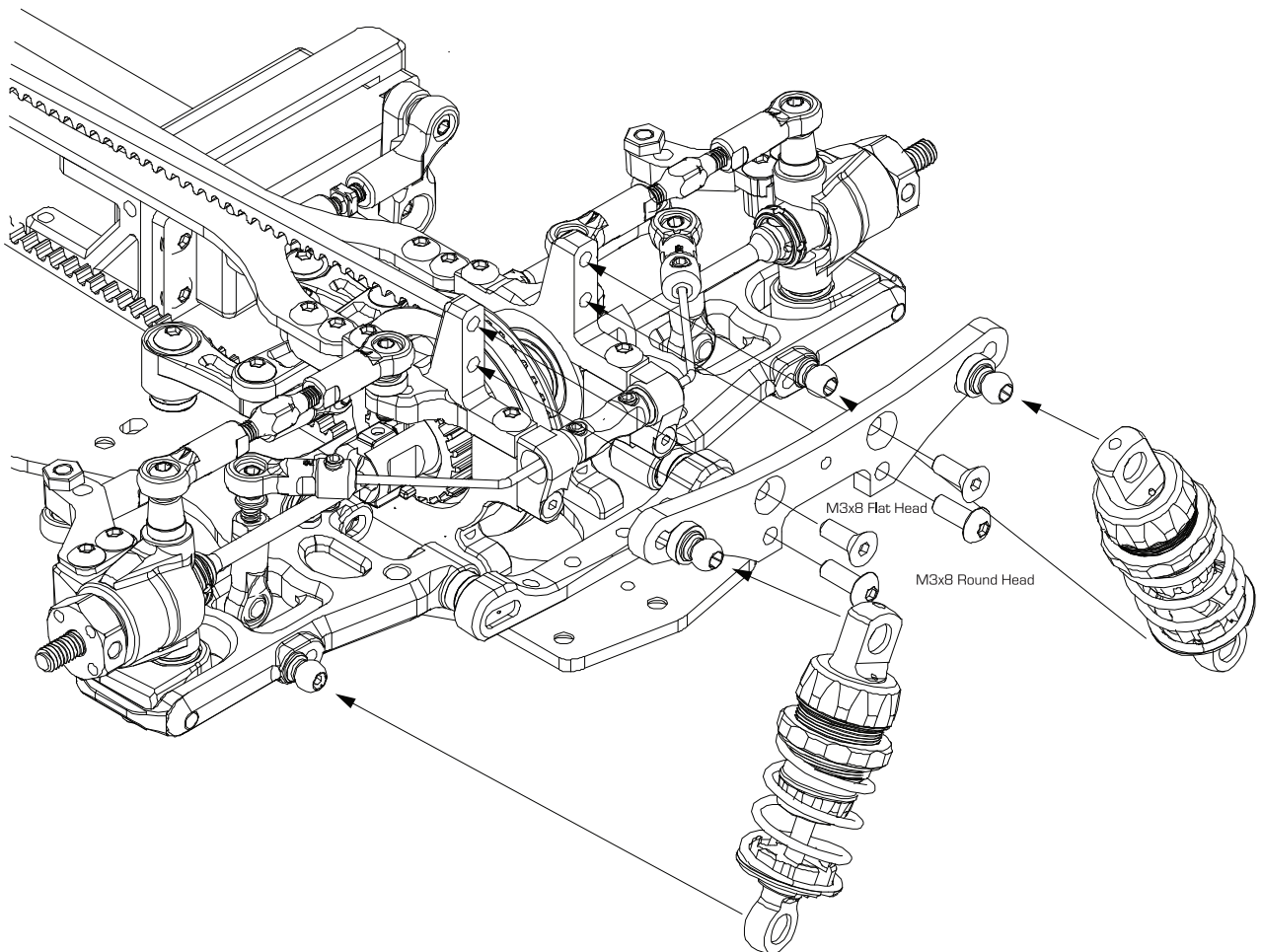
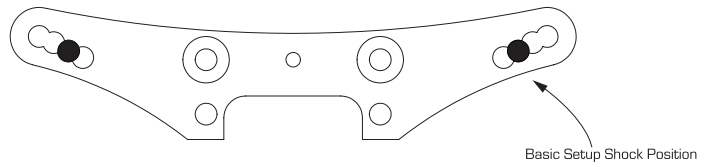
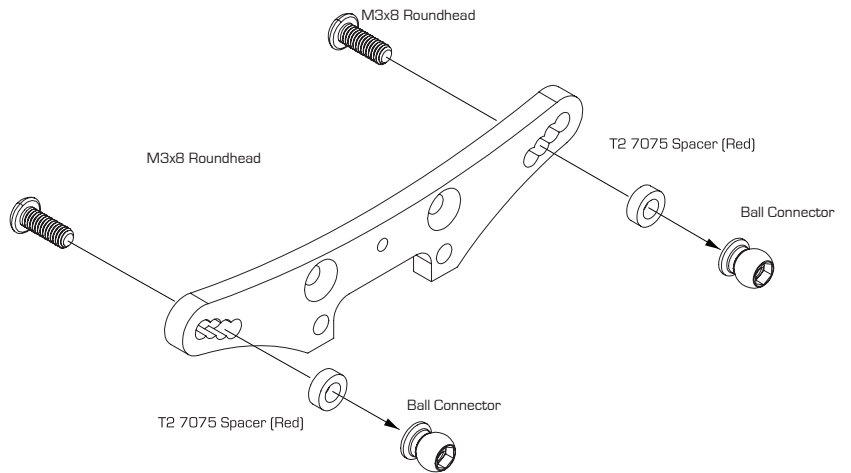
M3x8 Round Head Screw C-02-SC-R0308 x 4



M3x8 Flat Head Screw C-02-SC-F0308 x 2



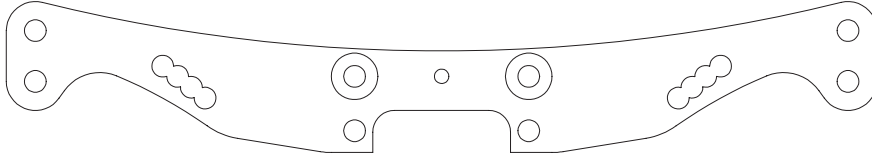
T2 7075 Spacer (Red) B-02-P30890 x 2





# 30

## Install Rear Shocks



WildFireD10 Rear Shock Tower 31640 x 1



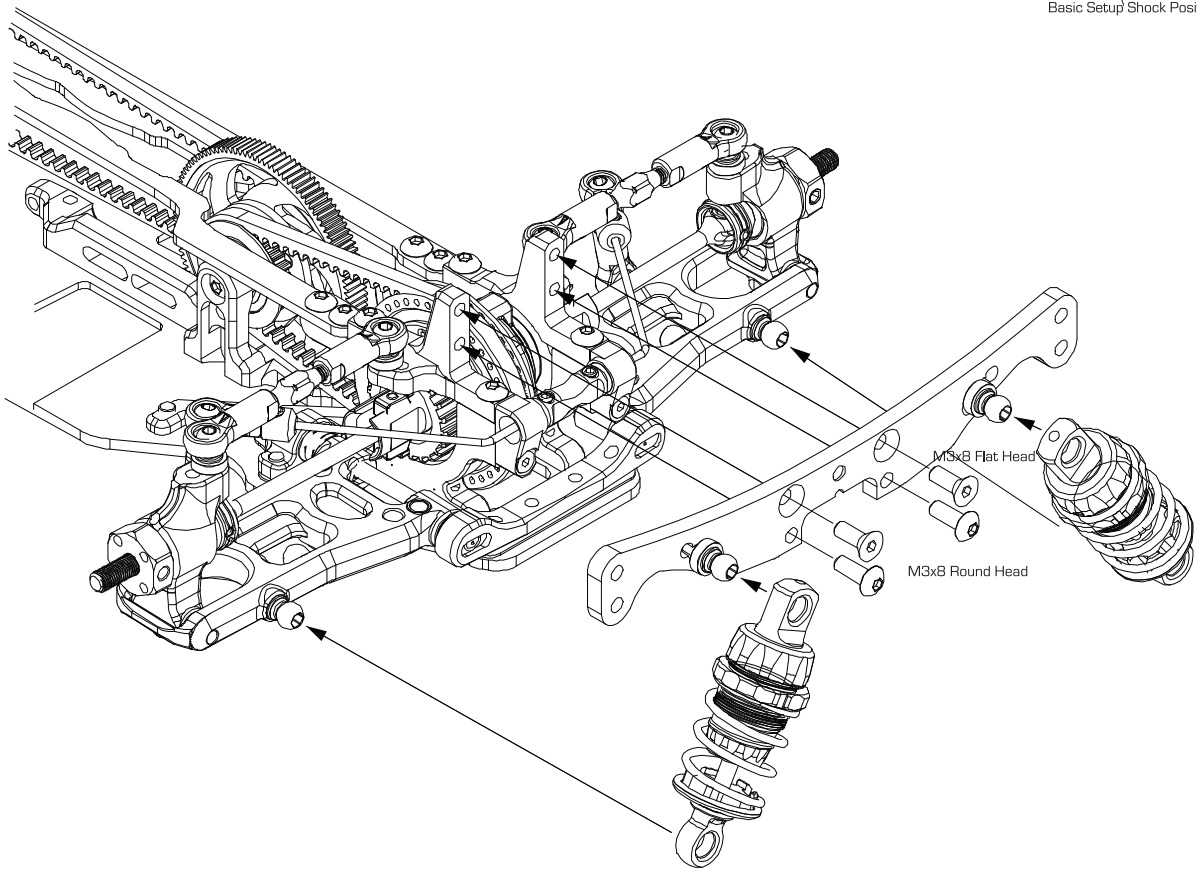
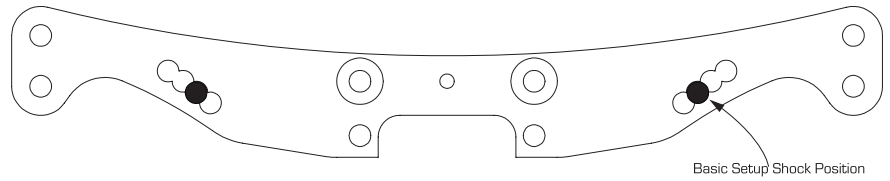
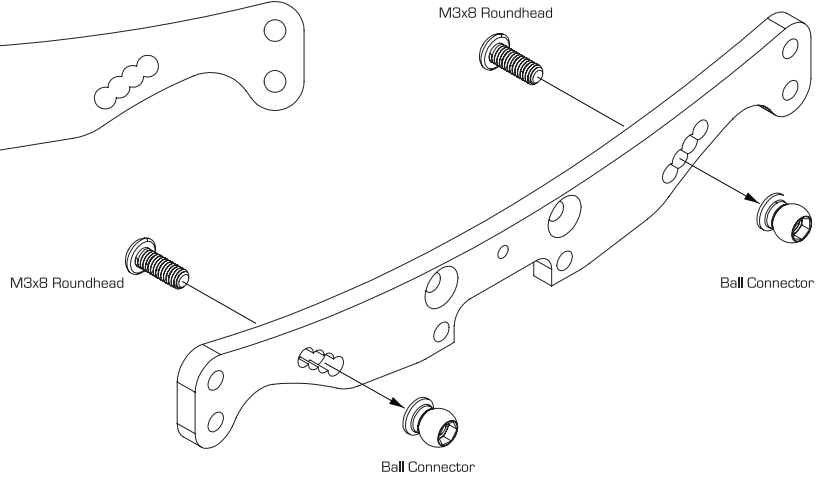
Ball Connector B-02-VBC-0045 x 2



M3x8 Round Head Screw C-02-SC-SS-0308 x 4



M3x8 Flat Head Screw C-02-SC-F0308 x 2

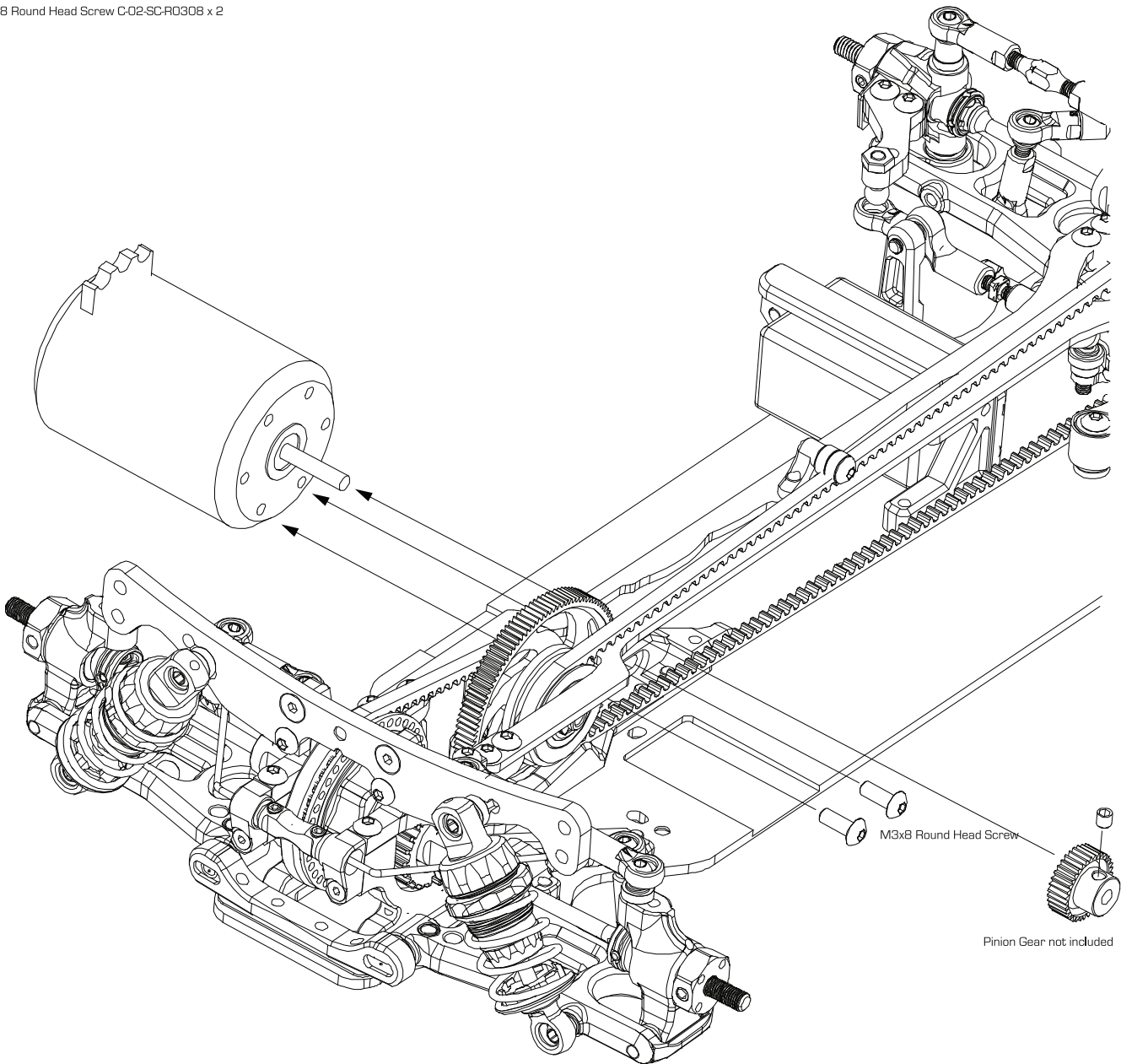


# 31

## Install Motor



M3x8 Round Head Screw C-02-SC-R0308 x 2

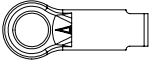


# 32

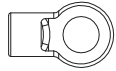
## Centerline Flex Chassis Adjustment



M3x56mm Turnbuckle (Black) 31591 x 1



Ball Connector (Long) 31478 x 1



TBB Shock Bottom Connector A-03-VBC-0124 x 1



4.9mm Ball Connector 6mm Long 31517 x 2



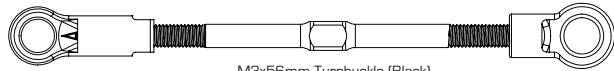
T2 7075 Spacer (Red) B-02-P30890 x 1



T1 7075 Spacer (Red) B-02-P30891 x 2



Ball Connector B-02-VBC-0045 x 2

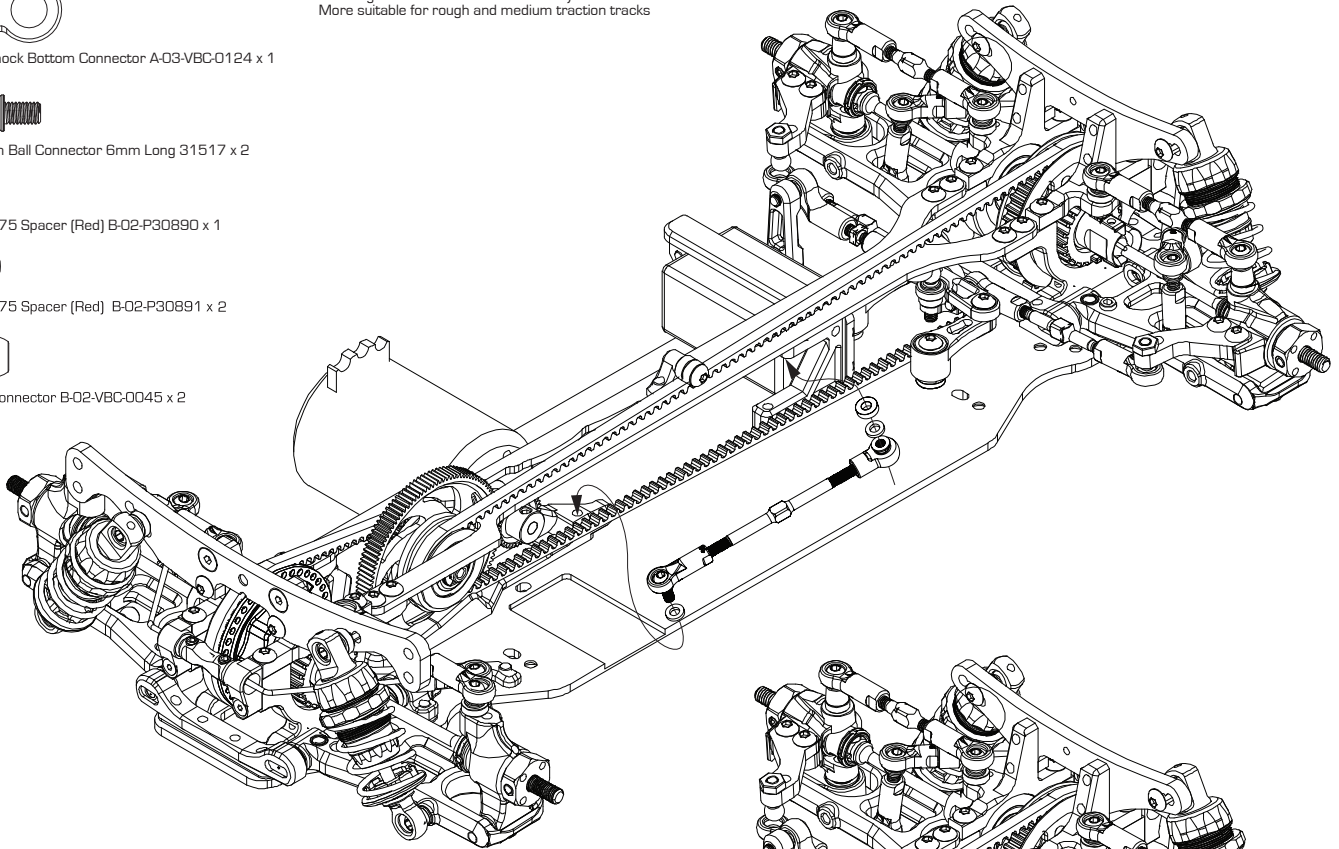


Ball Connector (Long)

M3x56mm Turnbuckle (Black)

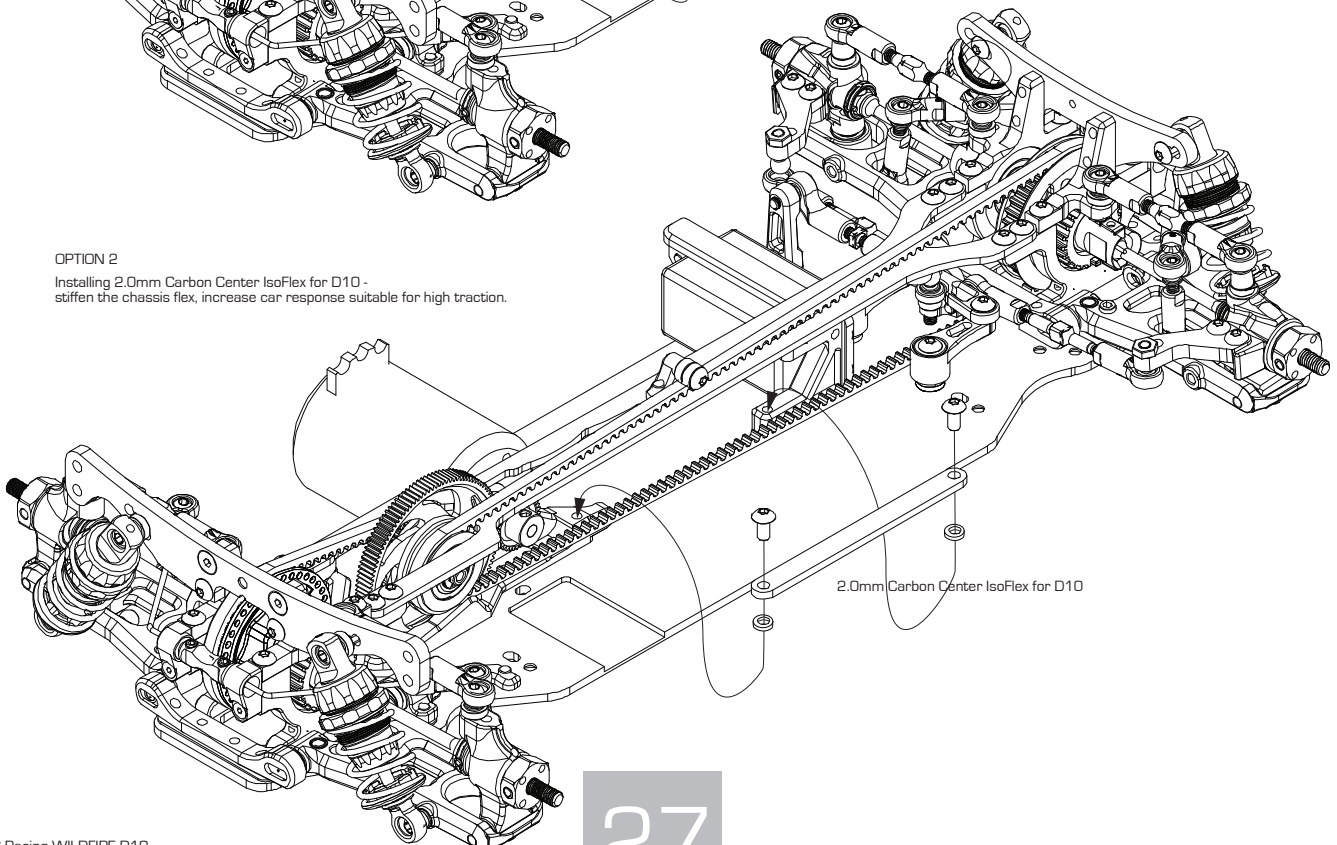
TBB Shock Bottom Connector

OPTION 1  
Installing WildFireD10 Center IsoFlex System -  
More suitable for rough and medium traction tracks



OPTION 2

Installing 2.0mm Carbon Center IsoFlex for D10 -  
stiffen the chassis flex, increase car response suitable for high traction.



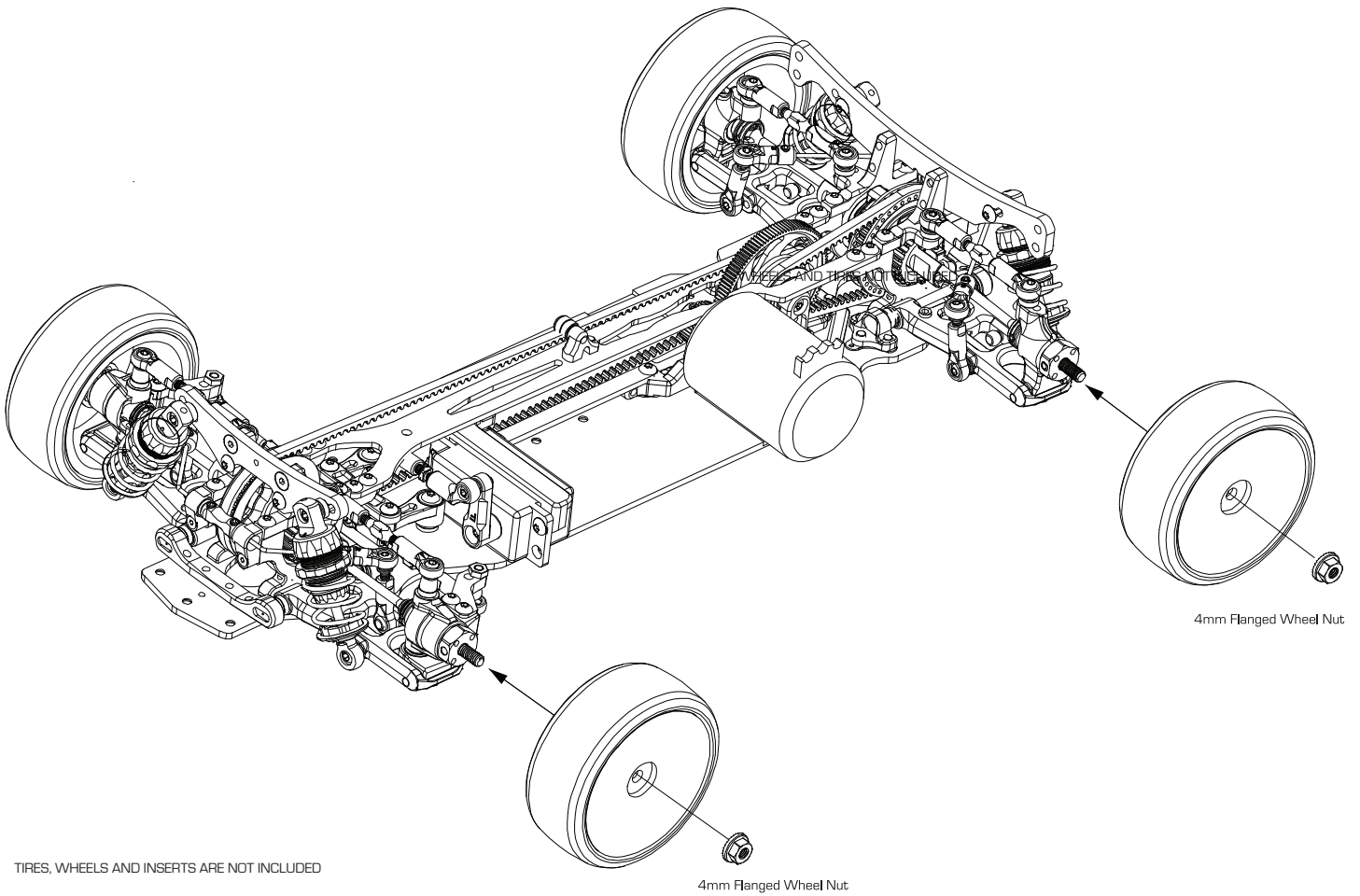
2.0mm Carbon Center IsoFlex for D10

# 33

## Install Front Bumper and Body Posts



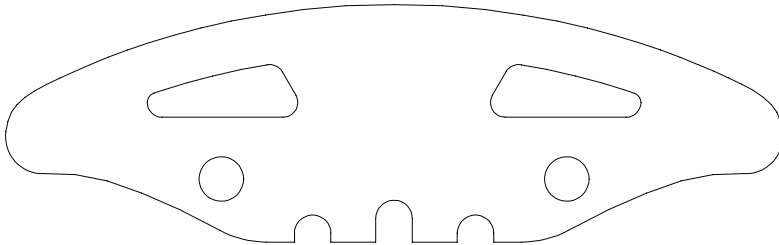
4mm Flanged Wheel Nut B-02-VBC-0086 x 4



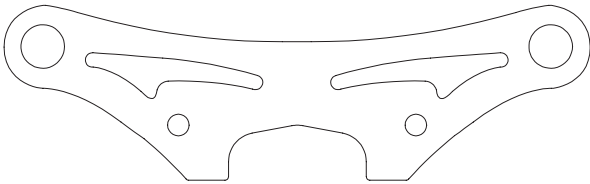
TIRES, WHEELS AND INSERTS ARE NOT INCLUDED

# 34

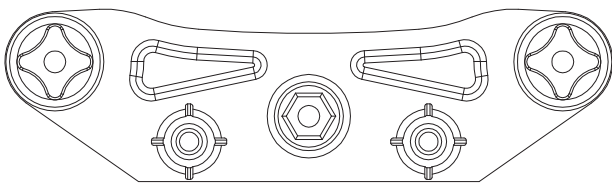
## Install Front Bumper Part 2



Front Foam Bumper B-03-VBC-0009 x 1



Graphite Bumper Top Plate A-01-P30950 x 1



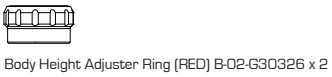
Bumper Top Plate A-03-VBC-0011 x 1



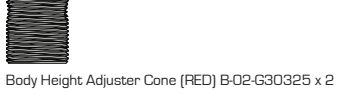
M3 Lock Nut C-02-SC-NN03 x 1



M3x10mm Flat Head Screw C-02-SC-F0310 x 2



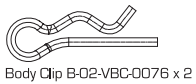
Body Height Adjuster Ring (RED) B-02-G30326 x 2



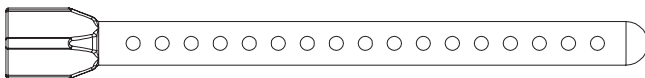
Body Height Adjuster Cone (RED) B-02-G30325 x 2



Adjuster O-Ring for BH Adjuster A-03-VBC-0113 x 2



Body Clip B-02-VBC-0076 x 2



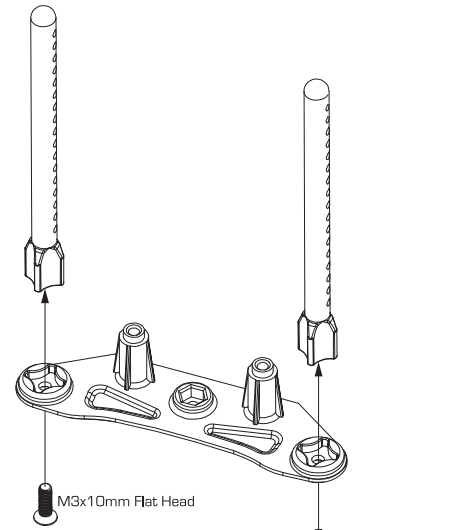
Front Body Post A-03-VBC-0013 x 2



M3x10mm Round Head Screw C-02-SC-R0310 x 2

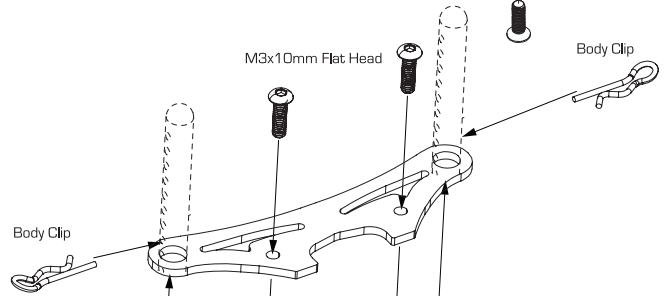


2.5x8 Cap Screw C-02-SC-R2508 x 2



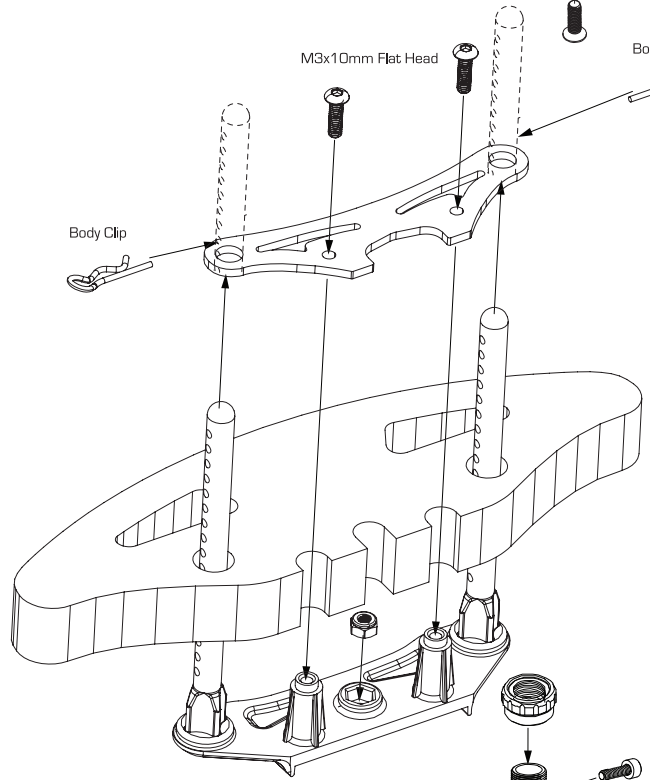
M3x10mm Flat Head

Body Clip



M3x10mm Flat Head

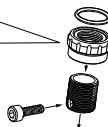
Body Clip



M3x10mm Flat Head

Body Clip

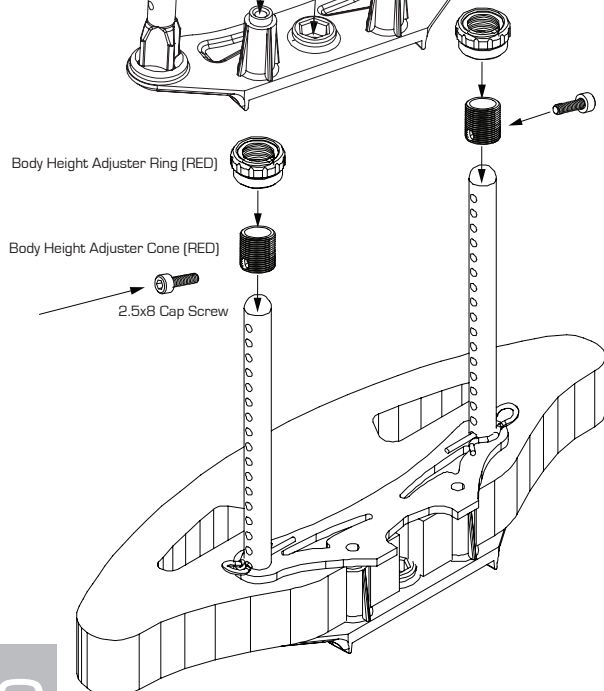
Adjuster O-Ring for BH Adjuster



Body Height Adjuster Ring (RED)

Body Height Adjuster Cone (RED)

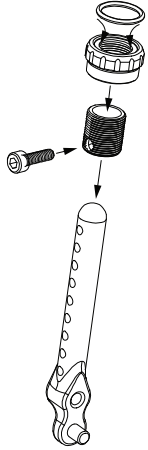
2.5x8 Cap Screw



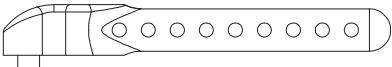


# 35

## Install Rear Body Posts and Electronics



M3x8mm Flat Head Screw C-02-SC-F0308 x 3



Rear Body Post A-03-VBC-0014 x 2



M3x10mm Round Head Screw C-02-SC-R0310 x 2



Body Height Adjuster Ring (RED) B-02-G30326 x 2



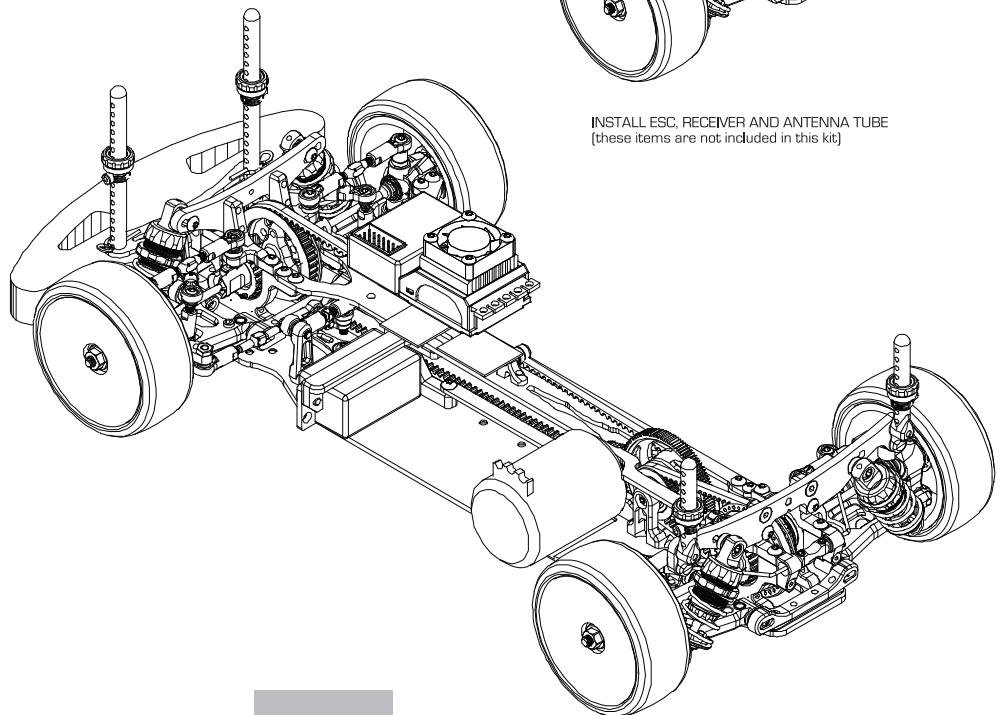
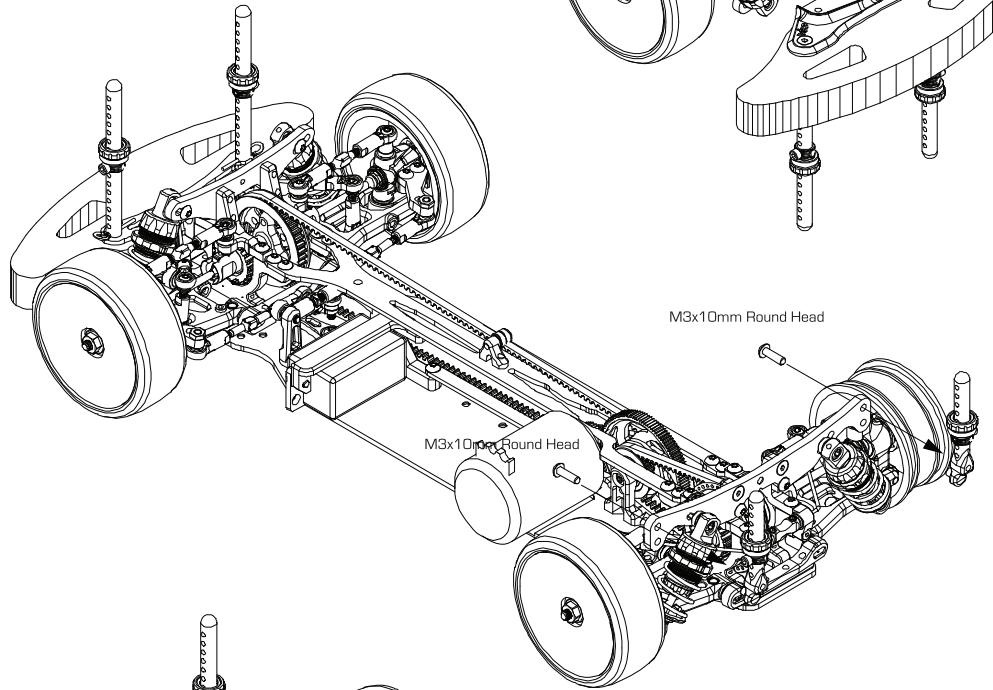
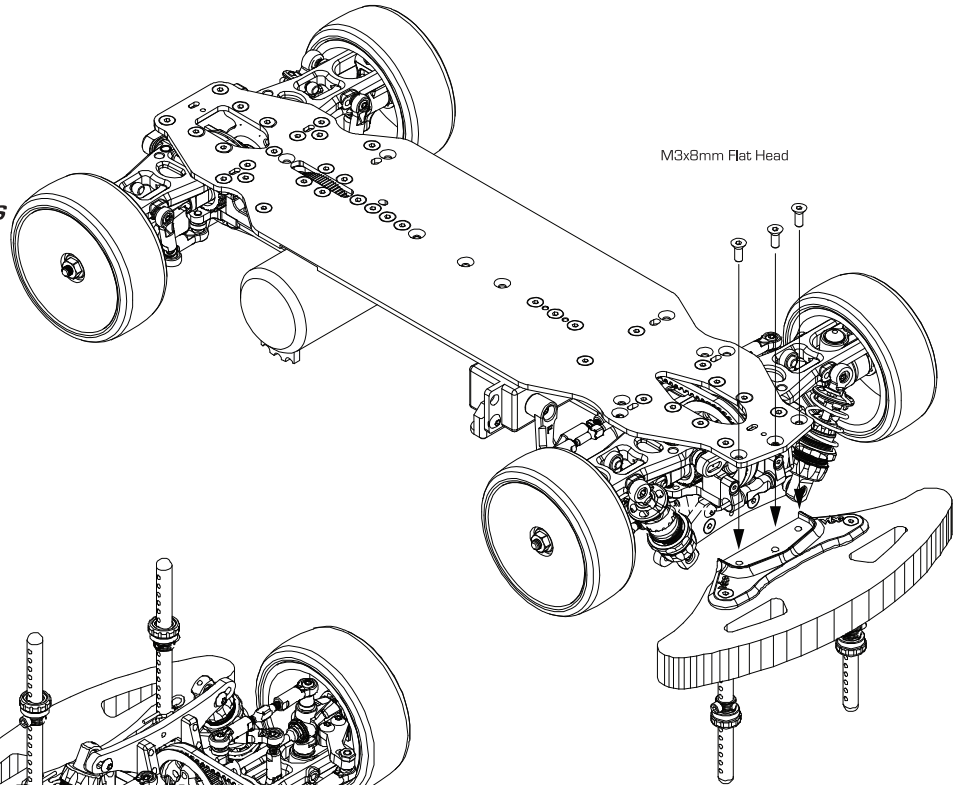
Body Height Adjuster Cone (RED) B-02-G30325 x 2



Adjuster O-Ring for BH Adjuster A-03-VBC-0113 x 2



2.5x8 Cap Screw C-02-SC-R2508 x 2



INSTALL ESC, RECEIVER AND ANTENNA TUBE  
(these items are not included in this kit)

# 35

## Install Battery Guards



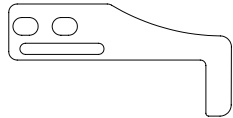
Centerline Battery Stopper B-02-VBC-3034 x 2



M3x10 Flat Head Screw C-02-SC-F0310 x 2



14mm Aluminum Stand off B-02-VBC-5073 x 2



D10 Battery Mount 31593 x 2



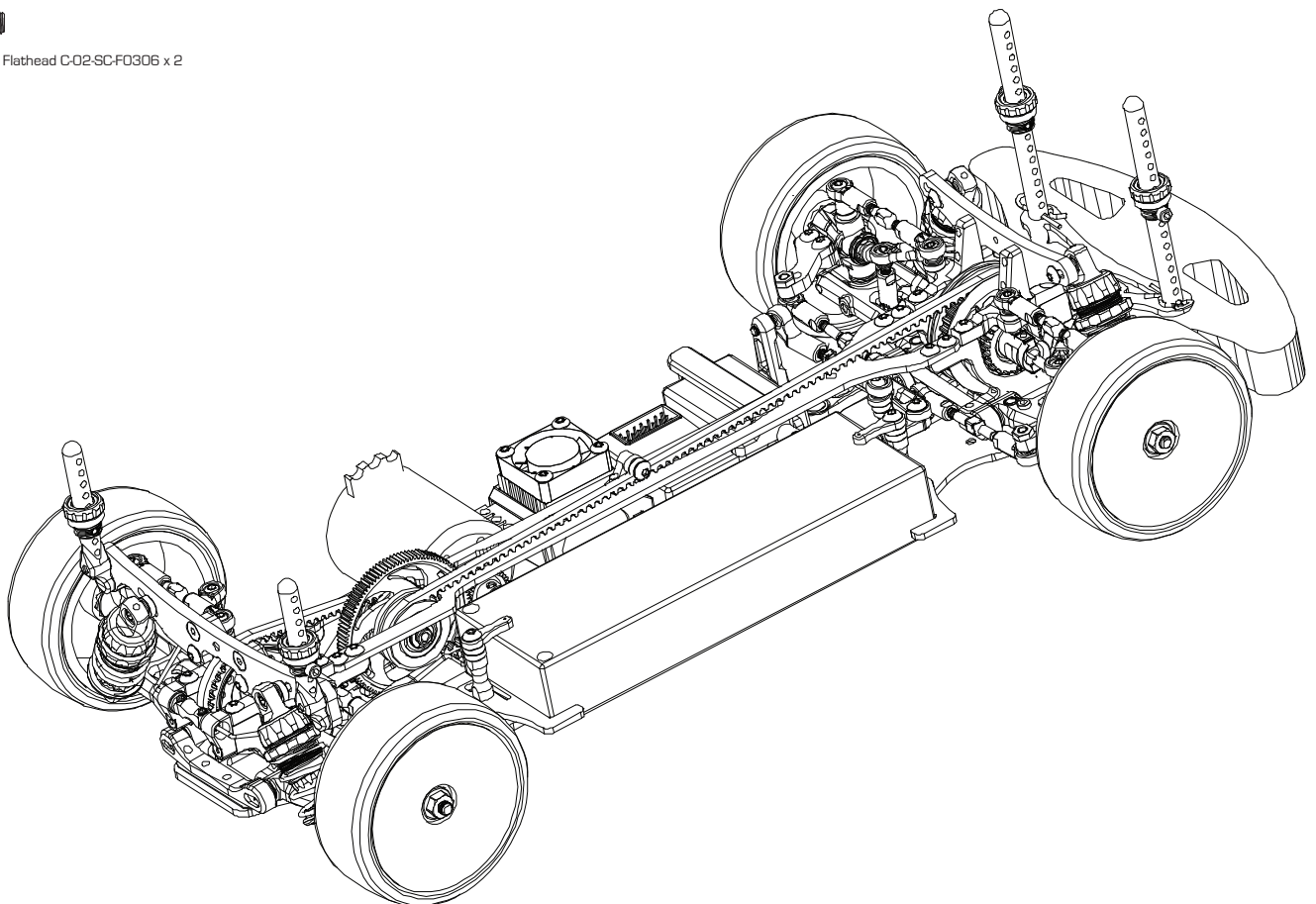
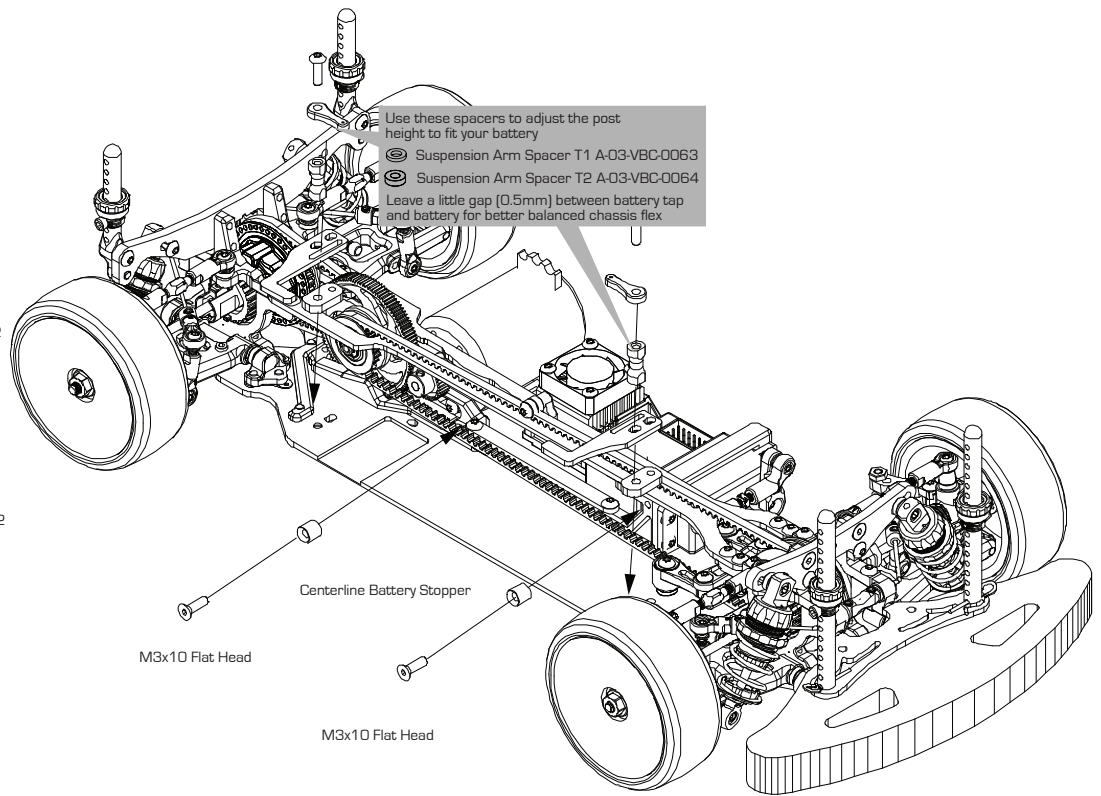
D10 Battery Mount Base 31592 x 2



D10 Battery Mount Tap 31594 x 2



M3x6 Flathead C-02-SC-F0306 x 2







**WILDFIRE**  
**D10**  
**DYNAMICS EDITION**  
1/10 4WD ELECTRIC COMPETITION TOURING CAR KIT  
COMPETITION GRADE HIGH PERFORMANCE RADIO CONTROL RACING CAR CHASSIS KIT