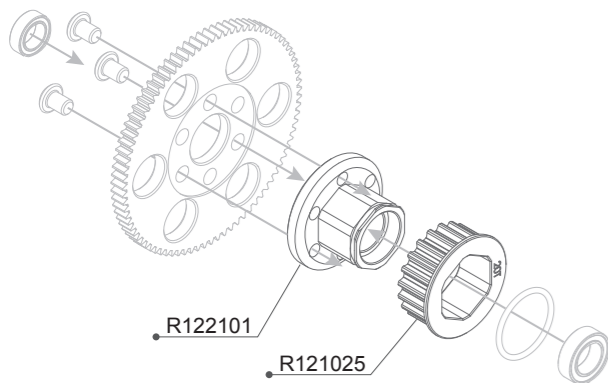


Option Parts (Not Included)

R122017 R12 Eccentric Hub-Alu (4)

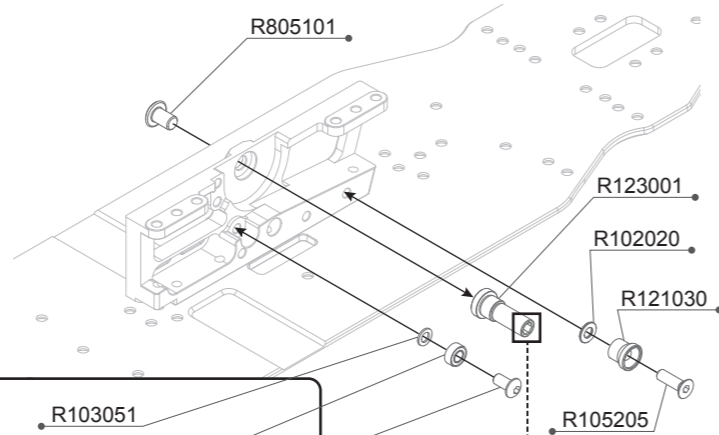
The aluminum eccentric hub provide more precise and minimize gap when adjust belt tension.



CORRECT ITEM NUMBER

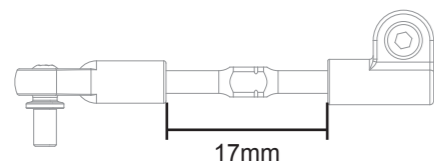
- R121025 R12 Center Pulley 20T
- R122101 R12 Center Pulley Hub-Alu

NOTICE



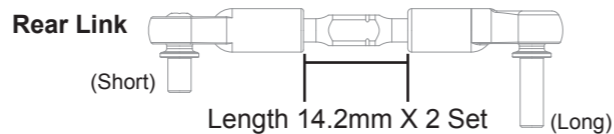
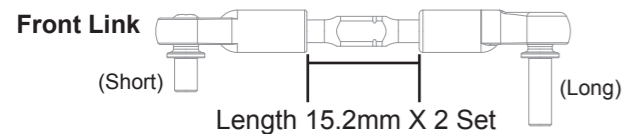
Option Parts (Not Included)

2.5mm Hex hole inside for tight the axle

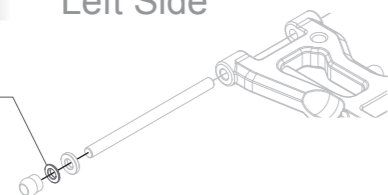


NOTICE

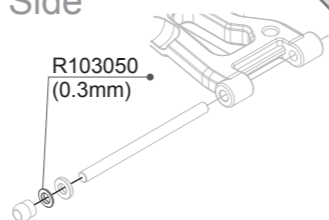
Recommend length for initial setup



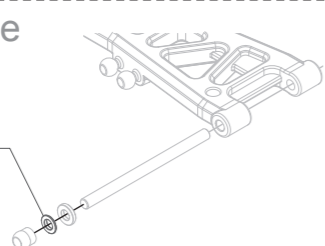
R103050 (0.3mm)



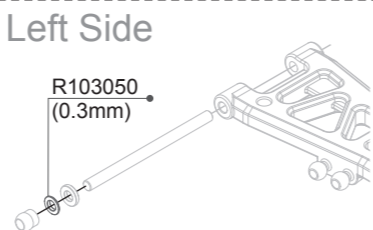
R103050 (0.3mm)



R103050 (0.3mm)



R103050 (0.3mm)



CORRECT ITEM NUMBER

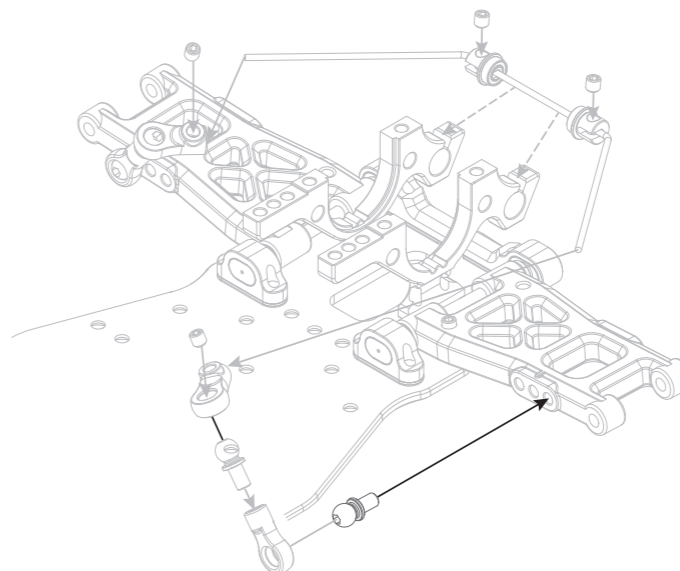
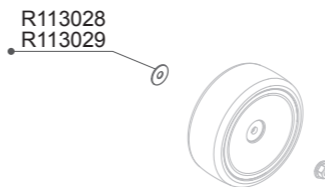
OPTION PARTS **R129004 R12 ATS SYSTEM** (Not Included)

Option Parts (Not Included)

R103028 4x11x0.25mm Shims (8)

R103029 4x11x0.5mm Shims (8)

The track width can be increased by adding R113028 (0.25mm) and R113029 (0.5mm).

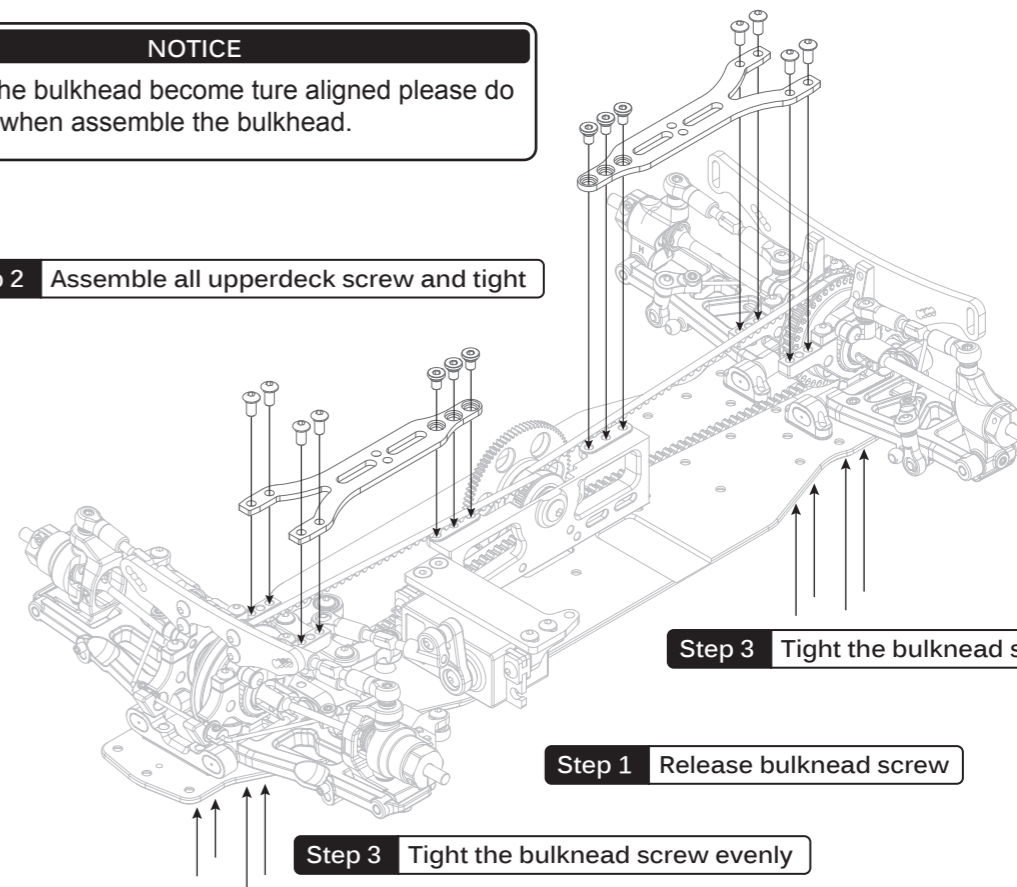


BULKHEAD ALIGNMENT PROCESS

NOTICE

To make sure the bulkhead become ture aligned please do below process when assemble the bulkhead.

Step 2 Assemble all upperdeck screw and tight



Step 3 Tight the bulkhead screw evenly

Step 1 Release bulkhead screw

Step 3 Tight the bulkhead screw evenly

NOTICE

TH =Apply Thread Lock Adhesive

CA =Apply CA Glue

GE =Apply Grease

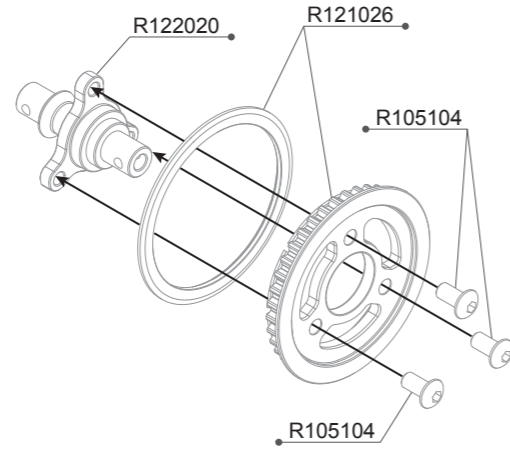
BAG 01

R105104
3x6 Round Screw (10)

R106101
Ø2x9.8 Pin (10)

R106021
Low Friction Ball Bearing
10x15x4 (4)

1:1 Scale



Option Parts (Not Included)

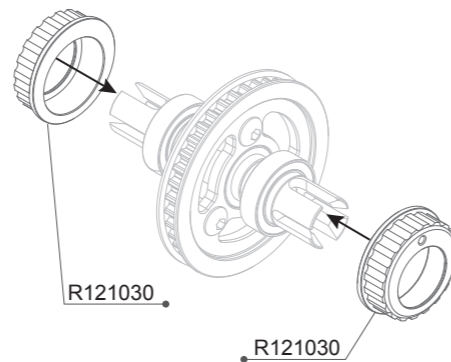
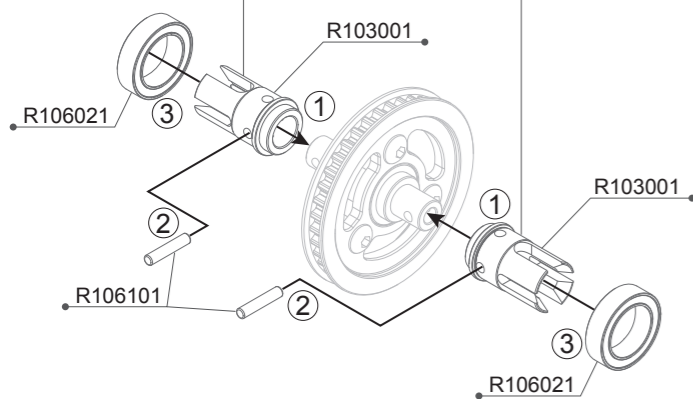
R102811 Spool Outdrive Alu (2pcs)

Recommended for stock class. Need to use together with R101030 C Cap on front drive shaft.



R113005 Spool Outdrive Steel (2pcs)

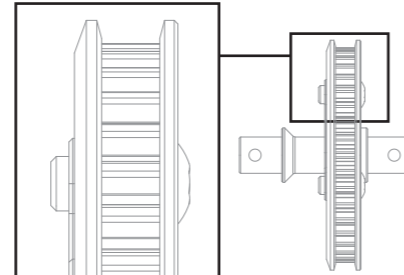
Recommended for modified class. Need to use together with R101030 C Cap on front drive shaft.



NOTICE

Pulley cover direction

Please make sure the pulley cover is oriented with the bevel side out.



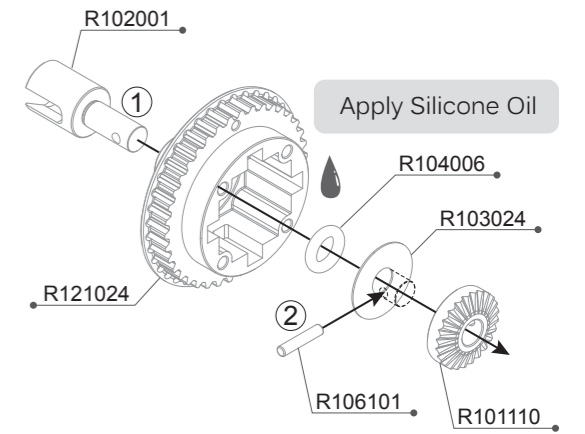
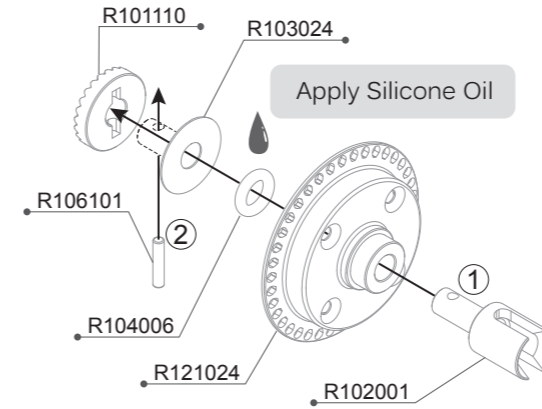
- R103001 Spool Outdrive(2pcs)
- R105104 3x6 Round Screw (10)
- R106021 Low Friction Ball Bearing 10x15x4 (4pcs)
- R106101 2x9.8mm Pin (10pcs)

- R121026 R12 Front Pulley 38T
- R121030 R12 Eccentric Hub (4)
- R122020 R12 Spool Axle-Alu

BAG 01

R106101
Ø2x9.8 Pin (10)

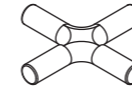
1:1 Scale



- R101110 Diff Gears (with Axle)
- R102001 Gear Diff Outdrive Alu(2pcs)
- R103024 Gear Diff Shim Big(4pcs)

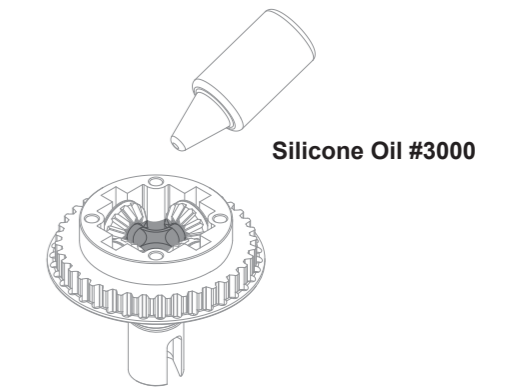
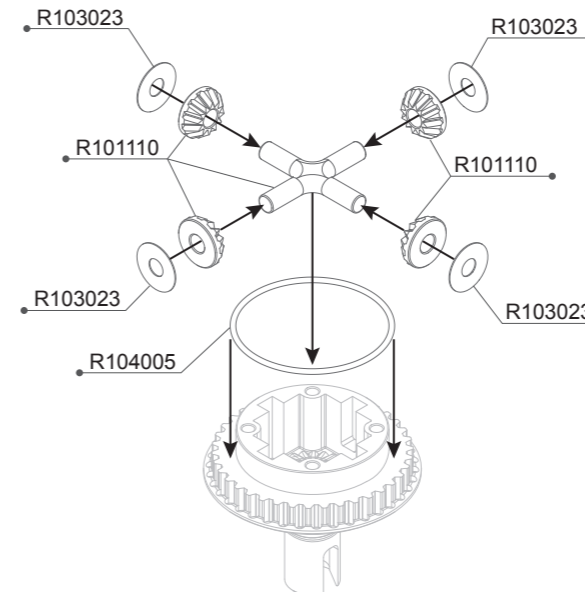
- R104006 O'ring 5x2(4pcs)
- R106101 2x9.8mm Pin (10pcs)
- R121024 R12 Diff Case

BAG 01



NOTICE

Trim any excess flashing from the diff gear axle at the mold injection point.



Fill oil to top of axle as pictured here

NOTICE

We recommend using 1.5 grams of silicone diff oil.

- R101110 Diff Gears (with Axle)
- R103023 Gear Diff Shim Small(8pcs)

- R104005 O'Ring 26x1 For Diff Case(2pcs)

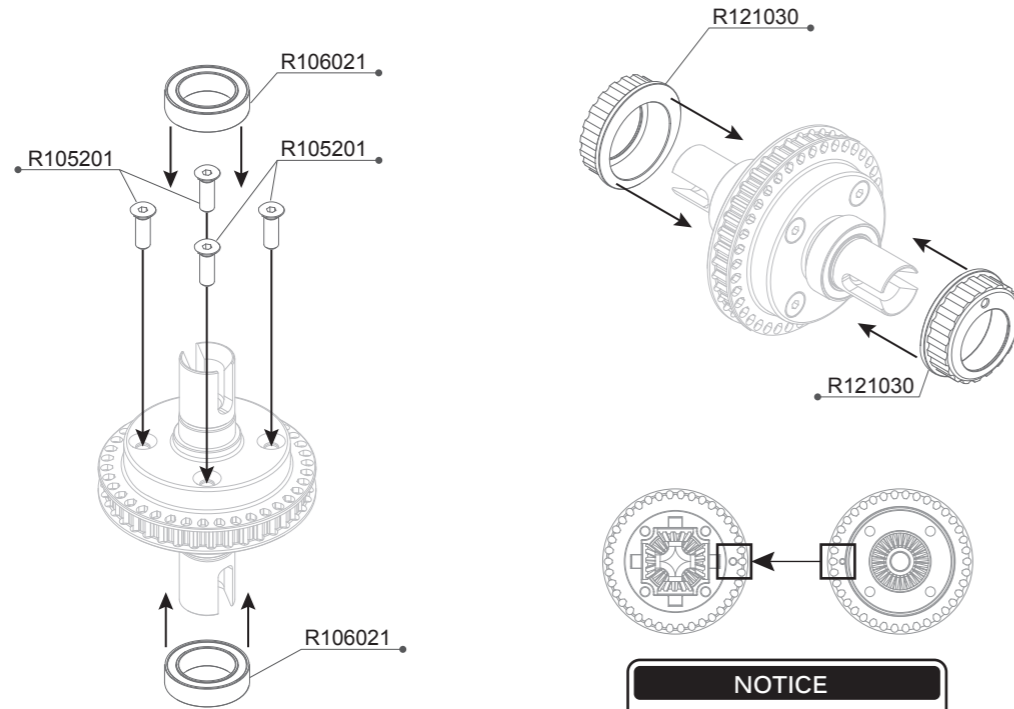


R105201
2.5x8mm Flat Screw (10)



R106021
Low Friction Ball Bearing
10x15x4 (4)

1:1 Scale



NOTICE
Diff case direction needs to match as per above.

R105201 2.5x8mm Flat Screw (10)
R106021 Low Friction Ball Bearing 10x15x4 (4pcs)

R121030 R12 Eccentric Hub (4)

ASSEMBLY & EXPLODED VIEW



R105103
3x4 Round Screw (10)

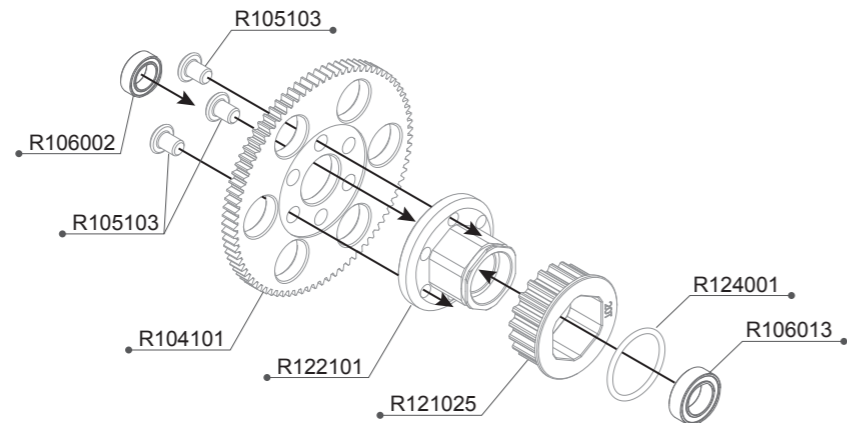


R106002
5x8x2.5mm Ball Bearing /Metal Seal (4)



R106013
6x10x3 Ball Bearing (2)

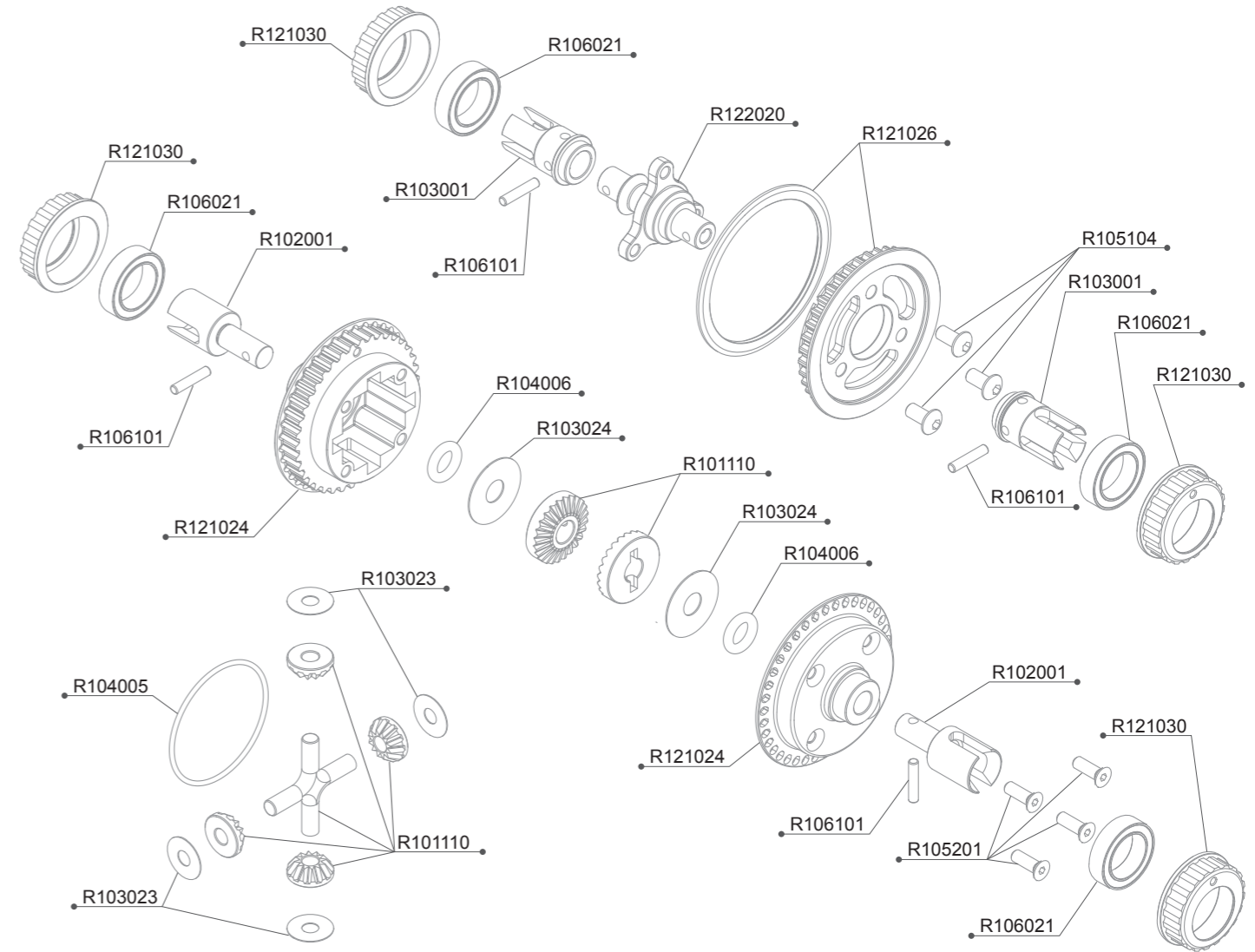
1:1 Scale



R124001 10x1 O'ring (4)
R104101 CNC Spur 84T (48dp)
R105103 3x4 Round Screw (10)
R106002 5x8x2.5mm Ball Bearing /Metal Seal (4)

R106013 6x10x3 Ball Bearing (2)
R121025 R12 Center Pulley 20T
R122101 R12 Center Pulley Hub-Alu

R12 BAG 01 PARTS EXPLODED VIEW



R12 BAG 01 PARTS LIST

R101110	Diff Gears (with Axle)	R105201	2.5x8mm Flat Screw (10)
R102001	Gear Diff Outdrive Alu(2pcs)	R106021	Low Friction Ball Bearing 10x15x4 (4pcs)
R103001	Spool Outdrive(2pcs)	R106101	2x9.8mm Pin (10pcs)
R103023	Gear Diff Shim Small(8pcs)	R121024	R12 Diff Case
R103024	Gear Diff Shim Big(4pcs)	R121026	R12 Front Pulley 38T
R104005	O'Ring 26x1 For Diff Case(2pcs)	R121030	R12 Eccentric Hub (4)
R104006	O'ring 5x2(4pcs)	R122020	R12 Spool Axle-Alu
R105104	3x6 Round Screw (10)		

1:1 SCALE

R105104
3x6 Round Screw (10)

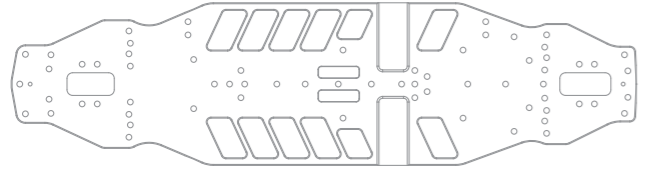
R105201
2.5x8mm Flat Screw (10)

R106101
Ø2x9.8 Pin (10)

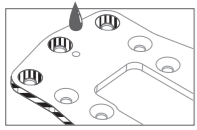
R106021
Low Friction Ball Bearing
10x15x4

Option Parts (Not Included)

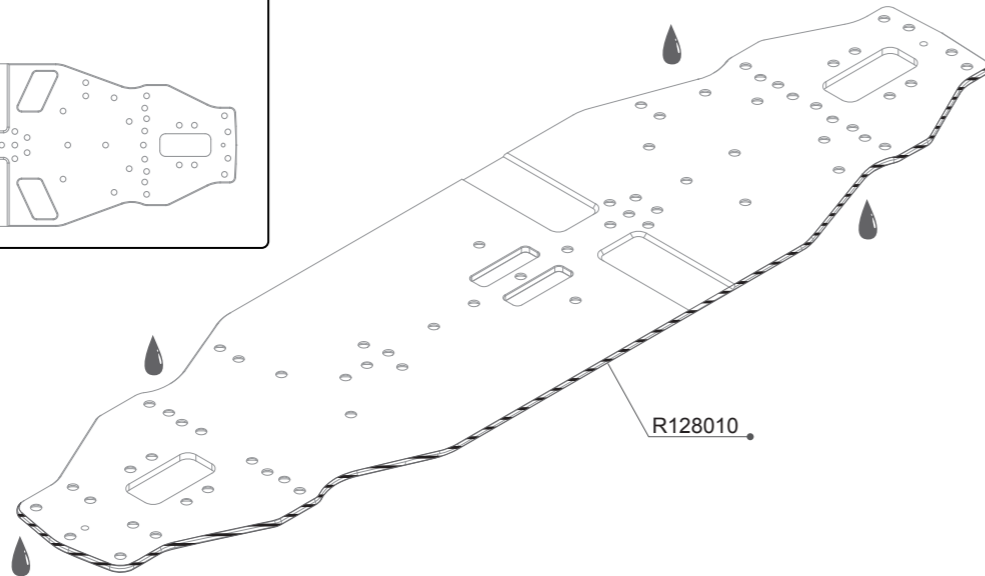
R122024
R12 Aluminum Chassis 2.0mm



NOTICE



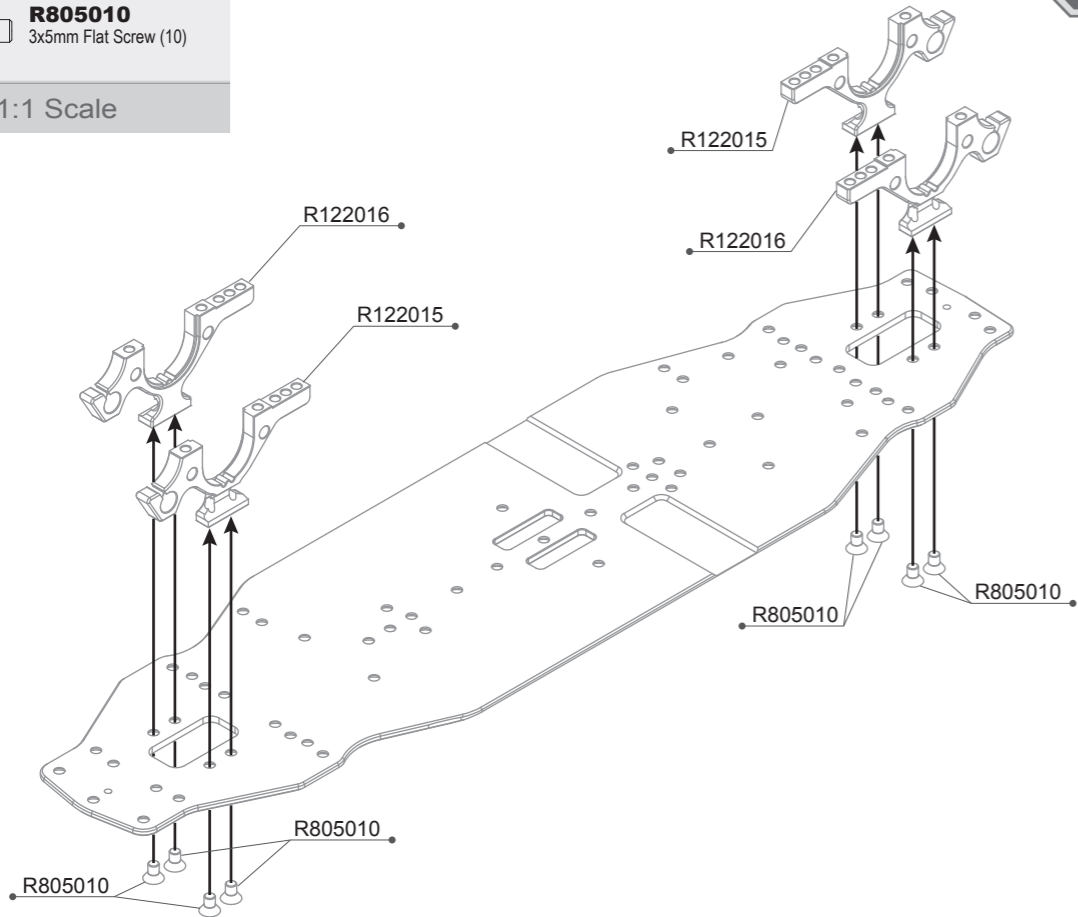
Apply CA Glue to the chassis edges and front bumper screws as highlighted.



R128010 R12 Carbon Chassis 2.25mm

R805010
3x5mm Flat Screw (10)

1:1 Scale



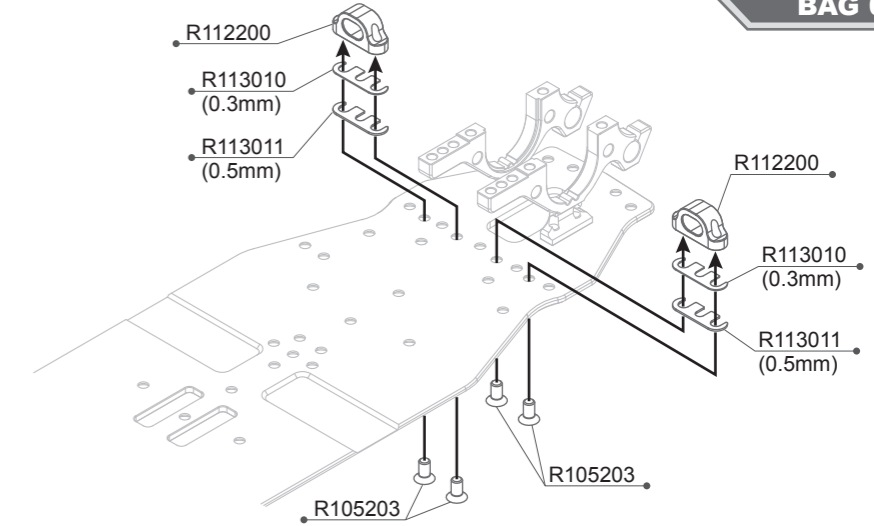
R122015 R12 Bulkhead-FL/RR
R122016 R12 Bulkhead-FR/RL

R805010 3x5mm Flat Screw (10)



R105203
3x6mm Flat Screw (10)

1:1 Scale



R105203 3x6mm Flat Screw (10)
R112200 R11 Suspension Block RF (2)

R113010 R11 Roll Center Shims-Narrow 0.3mm (4)
R113011 R11 Roll Center Shims-Narrow 0.5mm (4)

R105104
3x6 Round Screw (10)

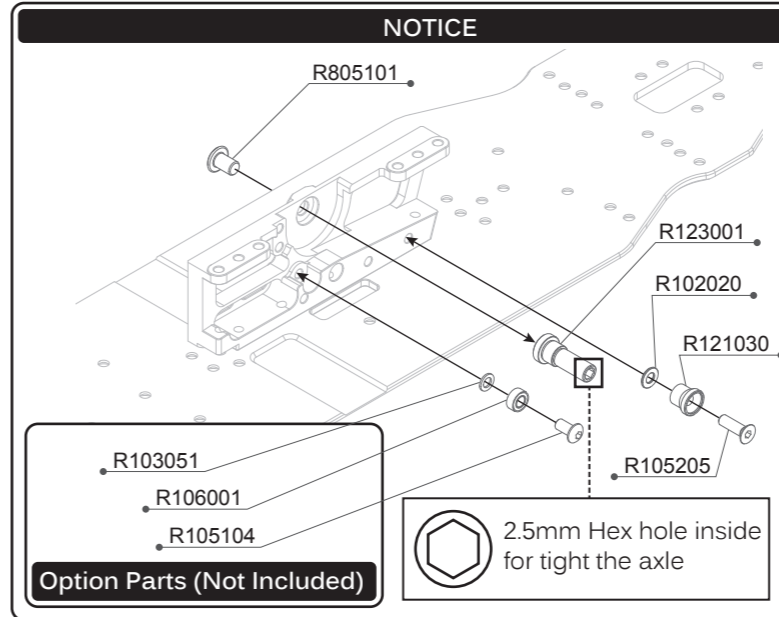
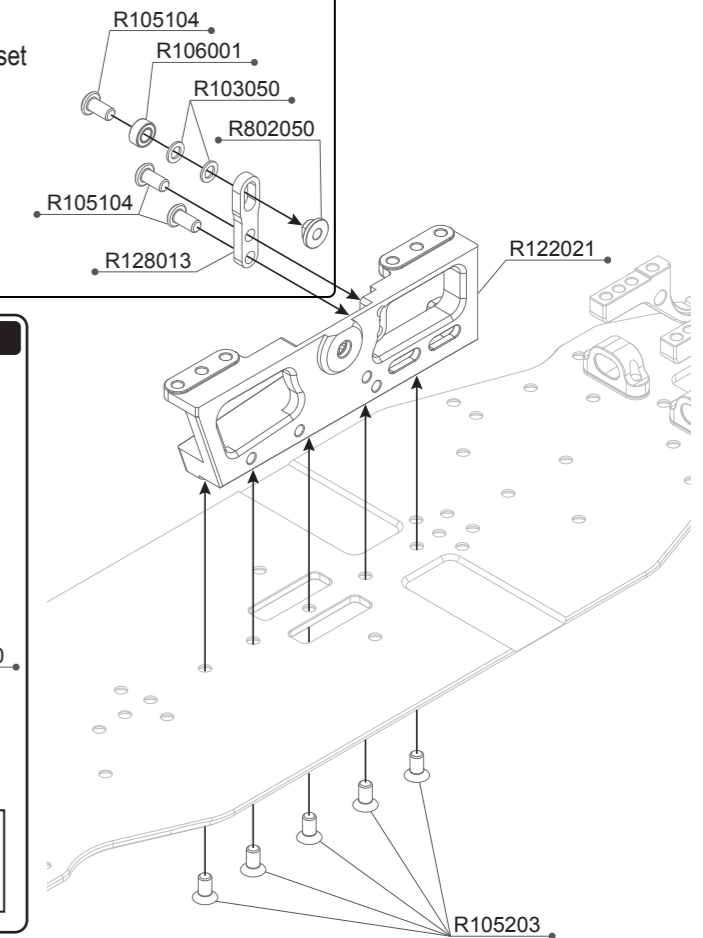
R105203
3x6mm Flat Screw (10)

R106001
3x6x2.5mm Ball Bearing (2)

1:1 Scale

Option Parts (Not Included)

R129001
R12 Belt Tensioner set







Option Parts (Not Included)

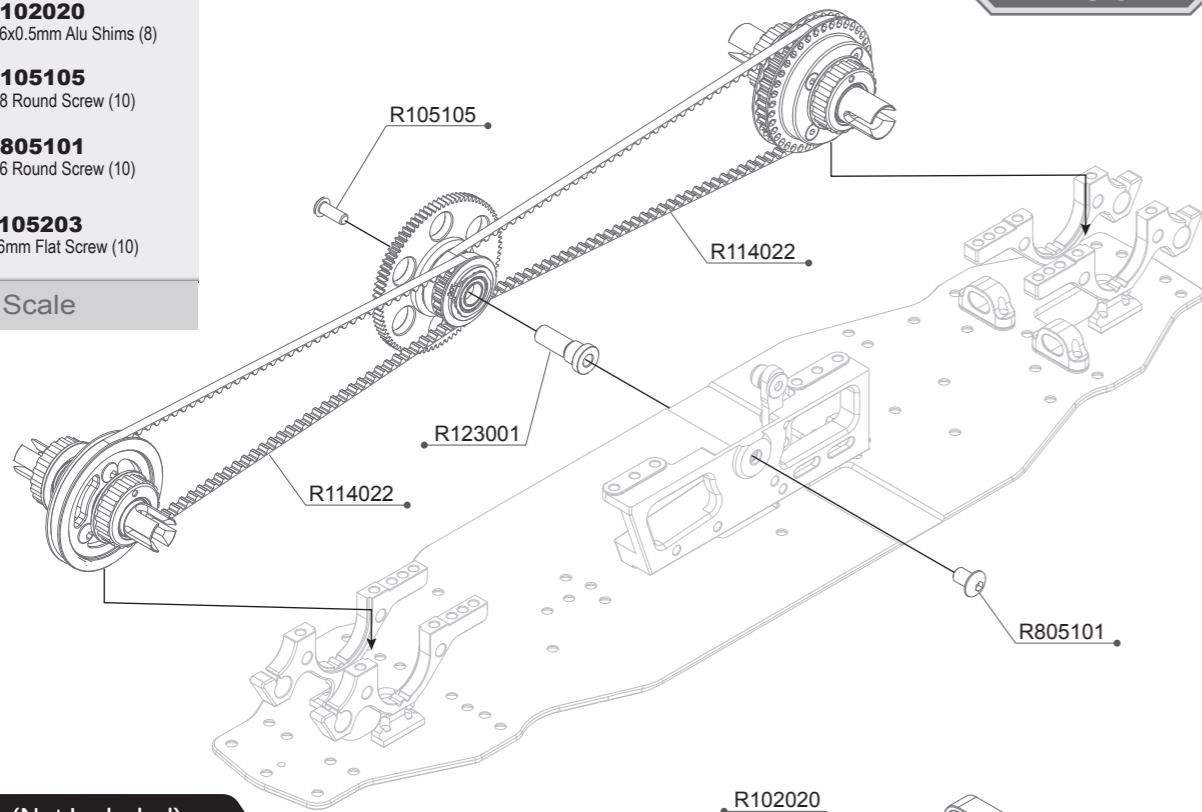
2.5mm Hex hole inside for tight the axle

R103050 3x5x0.3mm Shims (10)
R105104 3x6 Round Screw (10)
R105203 3x6mm Flat Screw (10)
R106001 3x6x2.5mm Ball Bearing (2)

R122021 R12 Motor Bulkhead
R128013 R12 Belt Tensioner Plate
R802050 Belt Tensioner Shaft

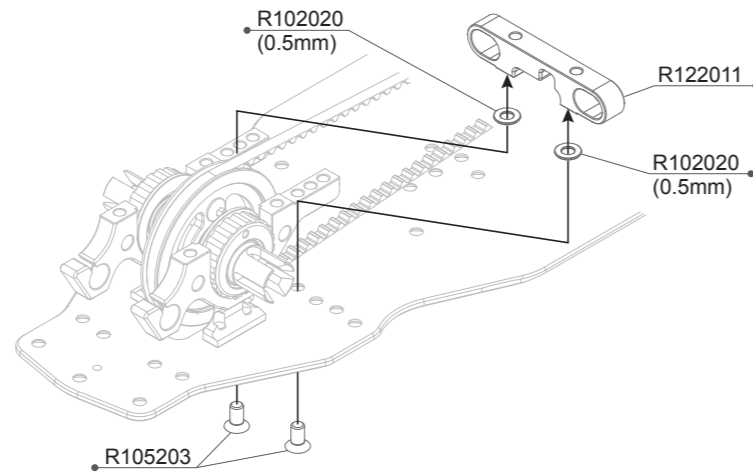
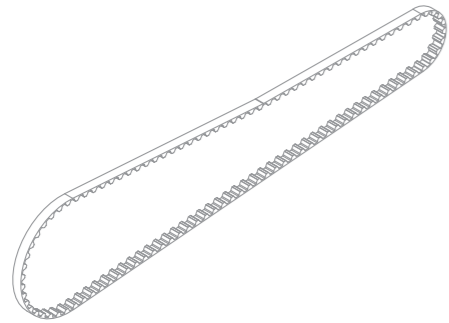
-  **R102020**
3x6x0.5mm Alu Shims (8)
-  **R105105**
3x8 Round Screw (10)
-  **R805101**
4x6 Round Screw (10)
-  **R105203**
3x6mm Flat Screw (10)

1:1 Scale



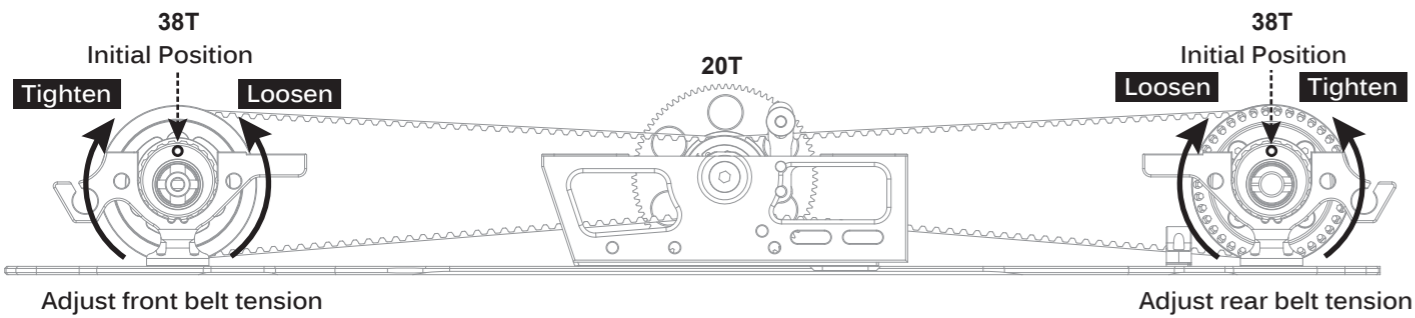
Option Parts (Not Included)

- R114023**
S3M-351-3mm White Rubber Belt



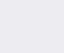
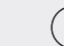

NOTICE

R12 Internal Gear Ratio 1.9 (20T/38T)

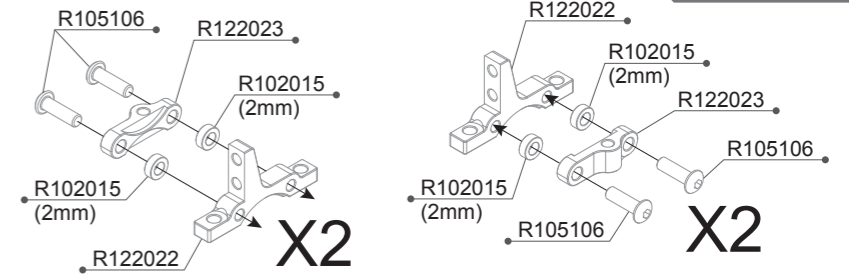


- R102020 3x6x0.5mm Alu Shims(8pcs)
- R105105 3x8 Round Screw (10)
- R105203 3x6mm Flat Screw (10)
- R114022 S3M-351-3mm Belt

- R122011 R12 Suspension Block-FR
- R123001 R12 Spur Shaft
- R805101 4x6 Round Screw (10)

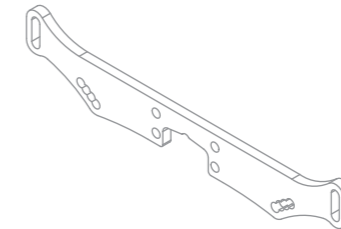
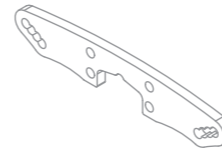
-  **R102015**
3x5.5x2mm Alu Shims (8)
-  **R105104**
3x6 Round Screw (10)
-  **R105106**
3x10 Round Screw (10)

1:1 Scale

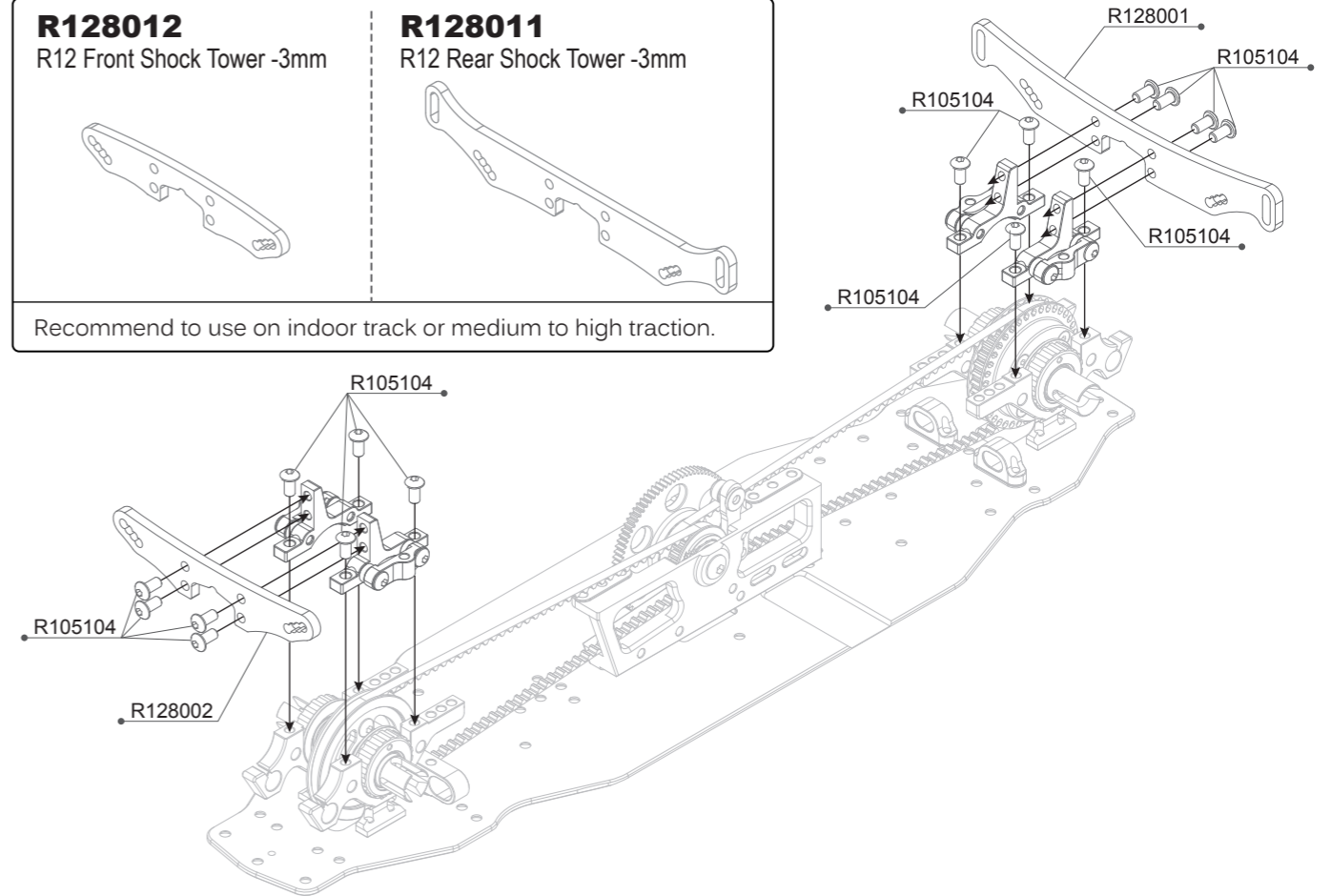


Option Parts (Not Included)

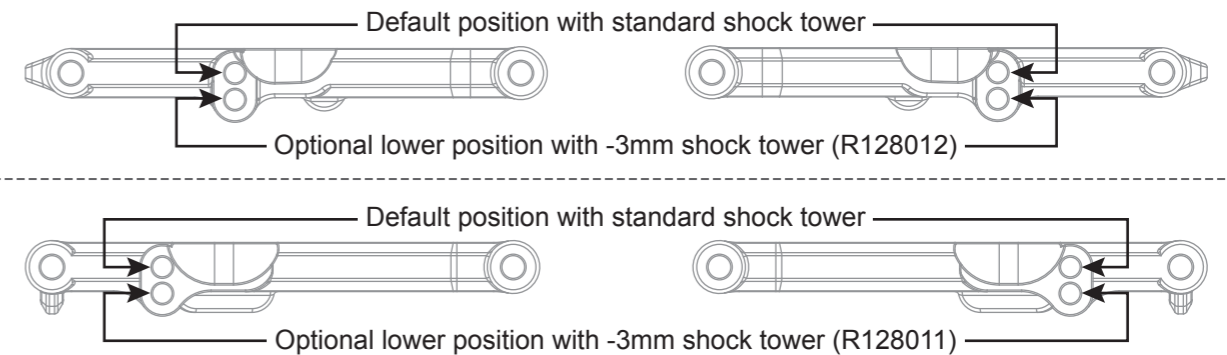
- R128012**
R12 Front Shock Tower -3mm
- R128011**
R12 Rear Shock Tower -3mm



Recommend to use on indoor track or medium to high traction.



NOTICE



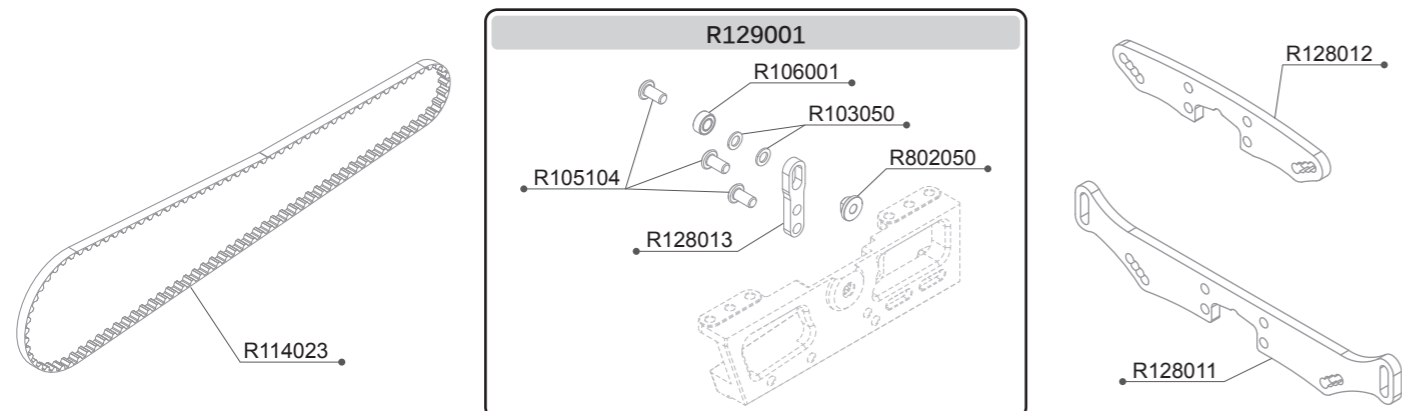
- R102015 3x5.5x2mm Alu Shims(8pcs)
- R105104 3x6 Round Screw (10)
- R105106 3x10 Round Screw (10)
- R122022 R12 Upper Bulkhead

- R122023 R12 Upper Link Base
- R128001 R12 Rear Shock Tower
- R128002 R12 Front Shock Tower

R12 BAG 02 PARTS EXPLODED VIEW







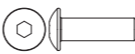




OPTION PARTS EXPLODED VIEW



R12 BAG 02 PARTS LIST

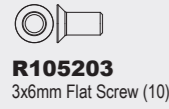
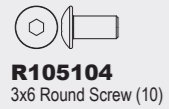
R102015	3x5.5x2mm Alu Shims(8pcs)	R122015	R12 Bulkhead-FL/RR
R102020	3x6x0.5mm Alu Shims(8pcs)	R122016	R12 Bulkhead-FR/RL
R105104	3x6 Round Screw (10)	R122021	R12 Motor Bulkhead
R105105	3x8 Round Screw (10)	R122022	R12 Upper Bulkhead
R105106	3x10 Round Screw (10)	R122023	R12 Upper Link Base
R105203	3x6mm Flat Screw (10)	R123001	R12 Spur Shaft
R112200	R11 Suspension Block RF (2)	R128001	R12 Rear Shock Tower
R113010	R11 Roll Center Shims-Narrow 0.3mm (4)	R128002	R12 Front Shock Tower
R113011	R11 Roll Center Shims-Narrow 0.5mm (4)	R128010	R12 Carbon Chassis 2.25mm
R114022	S3M-351-3mm Belt	R805010	3x5mm Flat Screw (10)
R122011	R12 Suspension Block-FR	R805101	4x6 Round Screw (10)

1:1 SCALE

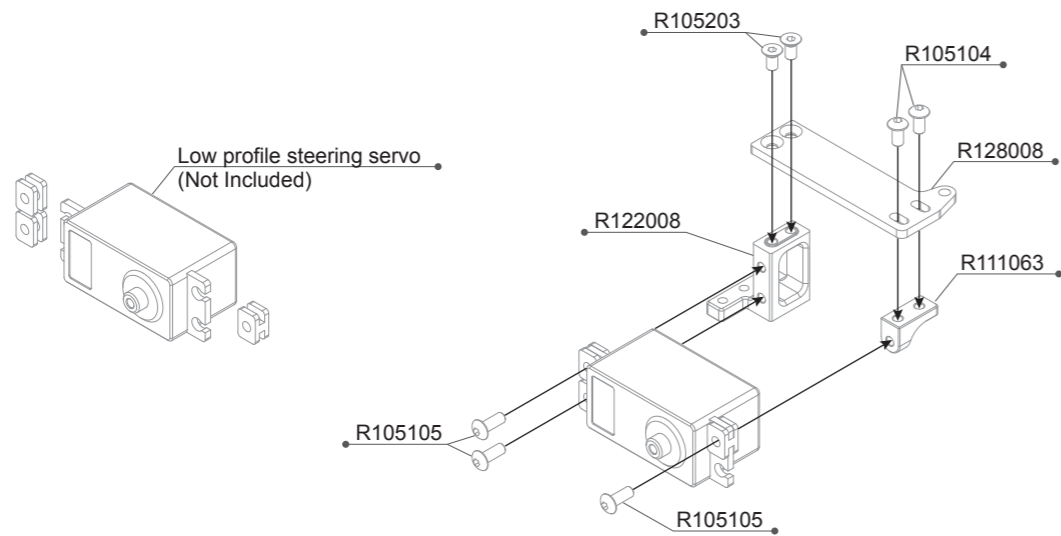
	R105104 3x6 Round Screw (10)		R102015 3x5.5x2mm Alu Shims (8)
	R105105 3x8 Round Screw (10)		R102020 3x6x0.5mm Alu Shims (8)
	R105106 3x10 Round Screw (10)		R805010 3x5mm Flat Screw (10)
	R805101 4x6 Round Screw (10)		R105203 3x6mm Flat Screw (10)
			R106001 3x6x2.5mm Ball Bearing (2)

OPTION PARTS LIST

R103050	3x5x0.3mm Shims (10)	R128011	R12 Rear Shock Tower -3mm
R105104	3x6 Round Screw (10)	R128012	R12 Front Shock Tower -3mm
R106001	3x6x2.5mm Ball Bearing (2)	R128013	R12 Belt Tensioner Plate
R114023	S3M-351-3mm White Rubber Belt	R802050	Belt Tensioner Shaft



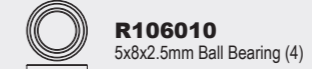
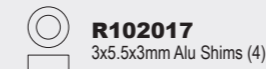
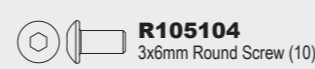
1:1 Scale



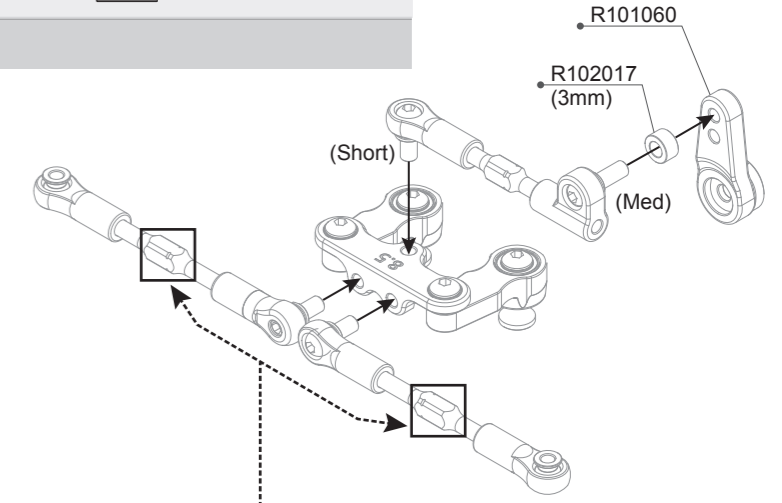
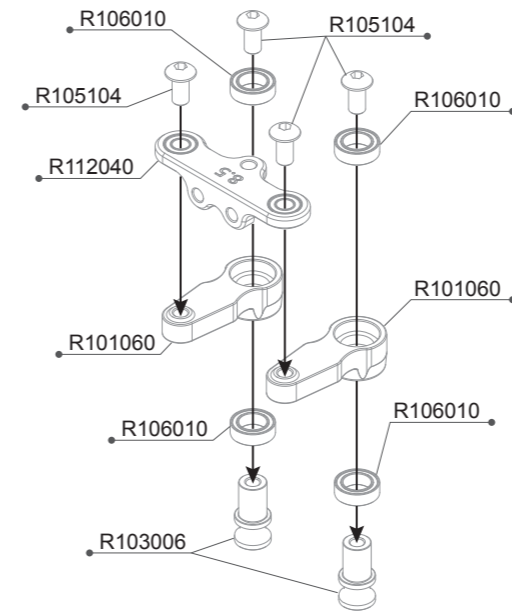
NOTICE
It is recommended to use servo mount rubber.

- R105104 3x6 Round Screw (10)
- R105105 3x8 Round Screw (10)
- R105203 3x6mm Flat Screw (10)

- R111063 R11 Servo Mount-Left
- R122008 R12 Servo Mount-Alu
- R128008 R12 Servo Mount Plate



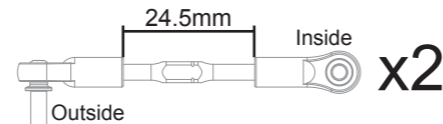
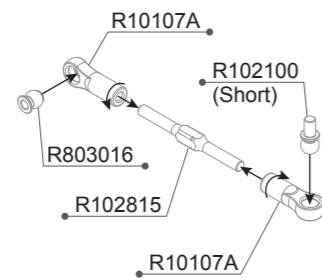
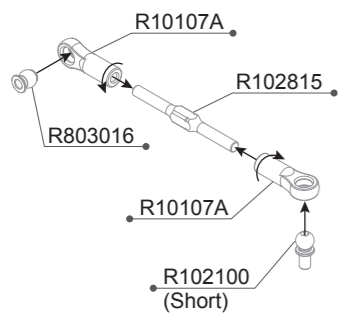
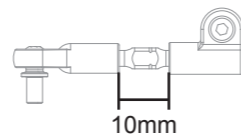
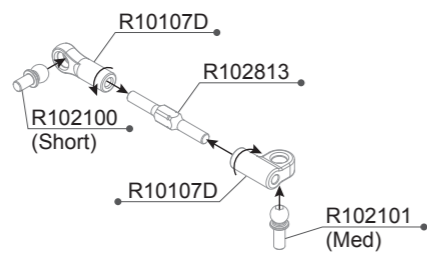
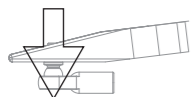
1:1 Scale



NOTICE
It is recommended to place the notch on each turnbuckle to the right side, which will make it easier to adjust camber and toe.

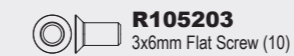
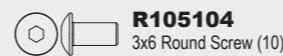
- R101060 Servo Horn Dual steering arm
- R102017 3X5.5X3mm Alu Shims(4pcs)
- R103006 Steering Shaft(2pcs)

- R105104 3x6 Round Screw (10)
- R106010 5x8x2.5mm Ball Bearing (4pcs)
- R112040 Steering Plate 8.5



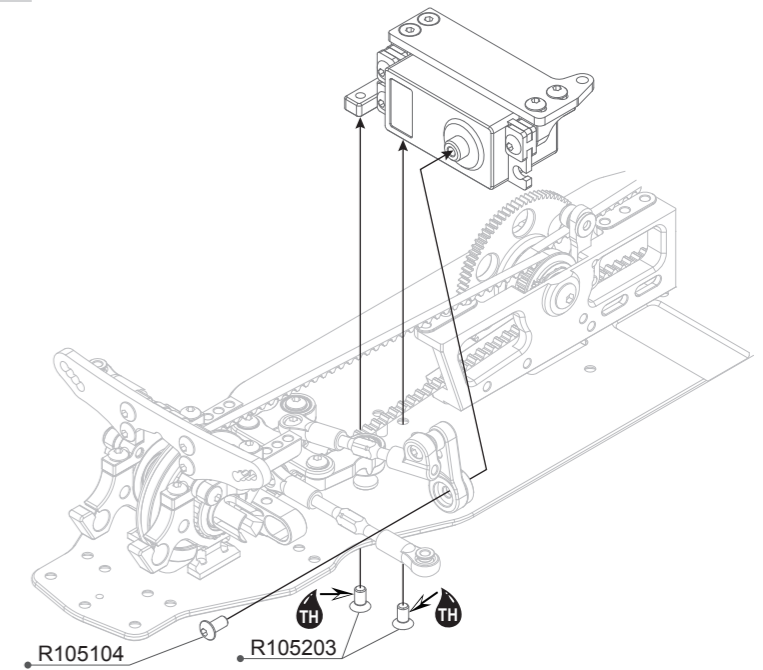
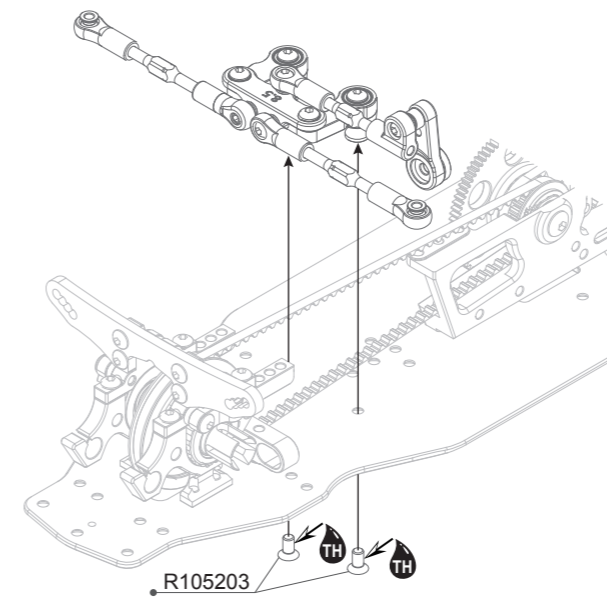
- R10107A Ball Joint 4.9mm Open (6pcs)
- R10107D Steering Rod Ball joint
- R102100 Alu 4.9mm Ball End Short(4pcs)
- R102101 Alu 4.9mm Ball End Med(4pcs)

- R102813 Turnbuckle 3x28mm ALU-7075 (2pcs)
- R102815 Turnbuckle 3x37mm ALU-7075 (2pcs)
- R803016 Ball Head 4.9mm (4)





1:1 Scale

NOTICE
Apply thread locking compound here.

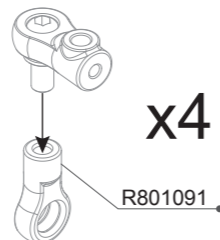
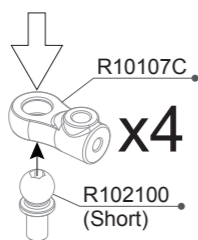


- R105104 3x6 Round Screw (10)

- R105203 3x6mm Flat Screw (10)

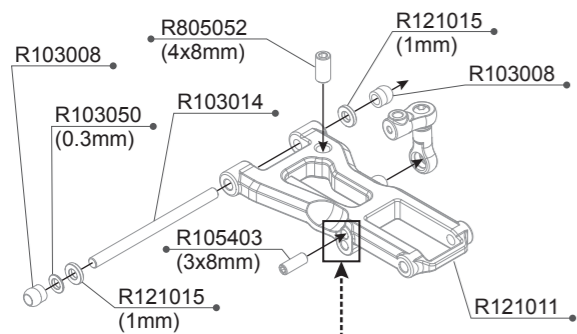
-  **R105403**
3x8mm Set Screw (10)
-  **R805052**
4x8mm Set Screw (10)

1:1 Scale

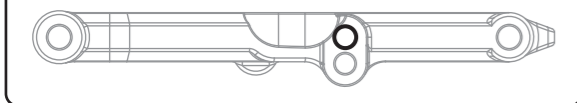


FRONT

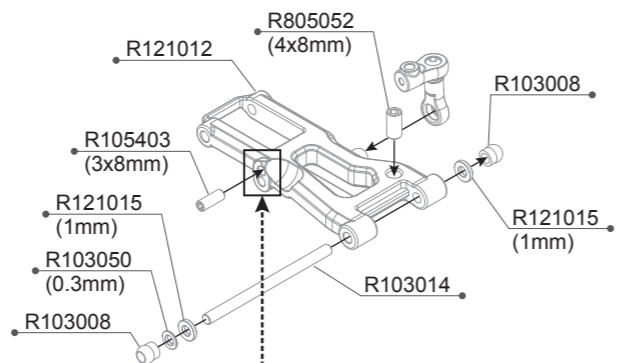
Left Side



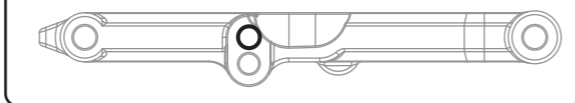
DEFAULT SETUP



Right Side

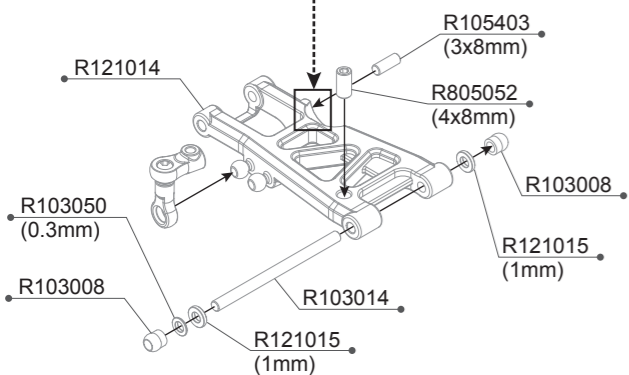
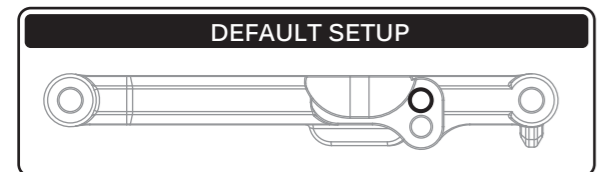


DEFAULT SETUP

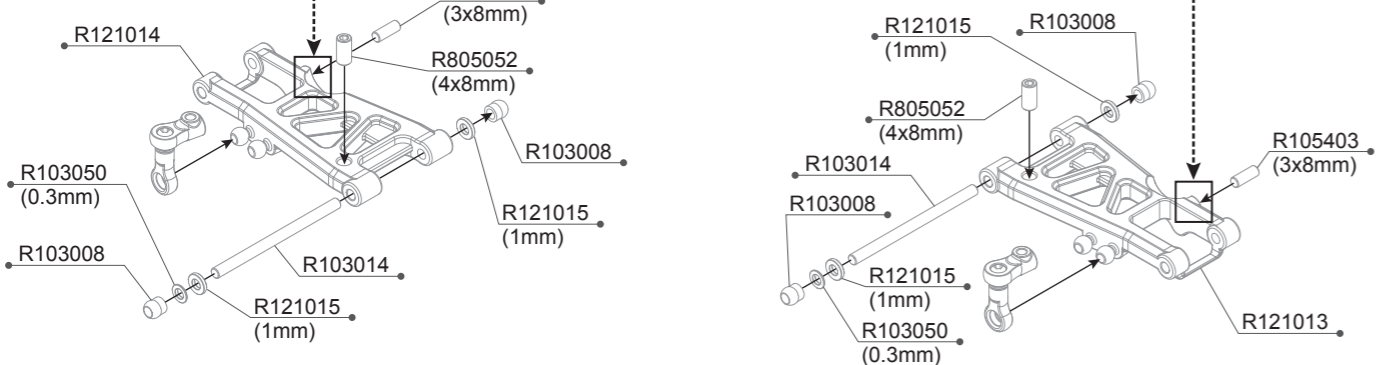
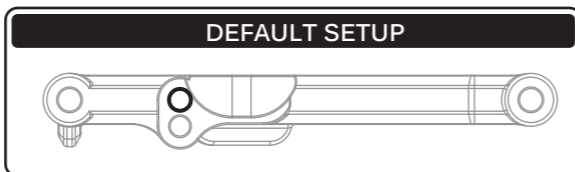


REAR

Right Side




Left Side



- R10107C Anti-Roll Bar Joint (4pcs)
- R102100 Alu 4.9mm Ball End Short(4pcs)
- R103008 Ball 5mm(4pcs)
- R103014 Pivot Pin Inner(2pcs)
- R103050 3x5x0.3mm Shims (10)
- R105403 3x8mm Set Screw (10)
- R121011 R12 Low Arm-FL

- R121012 R12 Low Arm-FR
- R121013 R12 Low Arm-RL
- R121014 R12 Low Arm-RR
- R121015 Plastic Shims (1/2/3mm)
- R801091 Ball End 4.9mm Short (2)
- R805052 4x8mm Set Screw (10)

-  **R105203**
3x6mm Flat Screw (10)

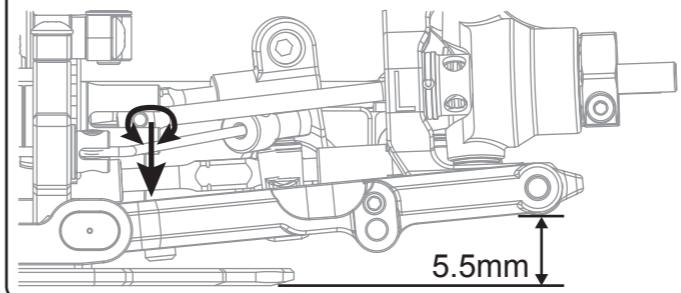
1:1 Scale

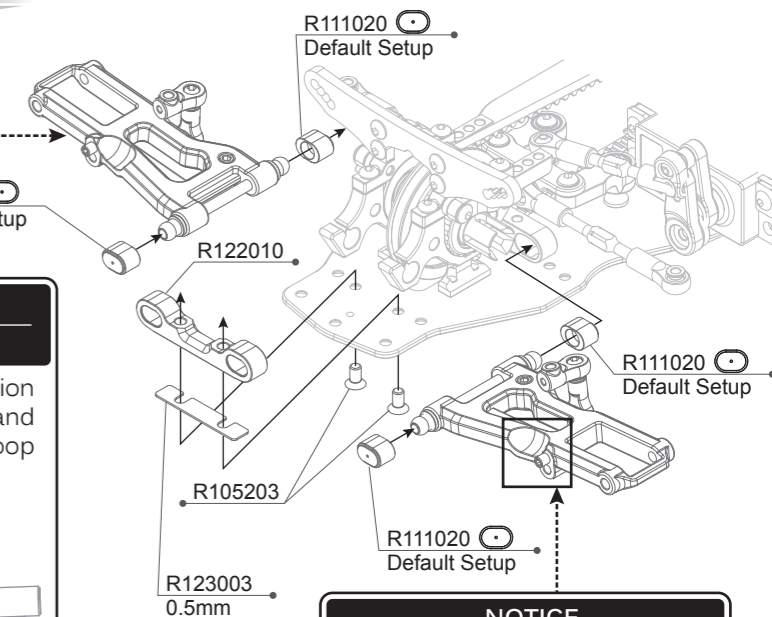
FRONT

NOTICE

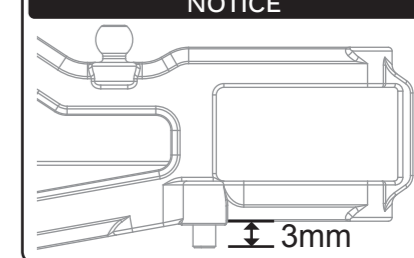
FRONT DROOP SETUP

Set initial front droop at 5.5mm. In bumpy or low traction conditions, lower droop will help to improve traction and handling. In flat or high traction conditions, higher droop will increase response and reduce traction roll.

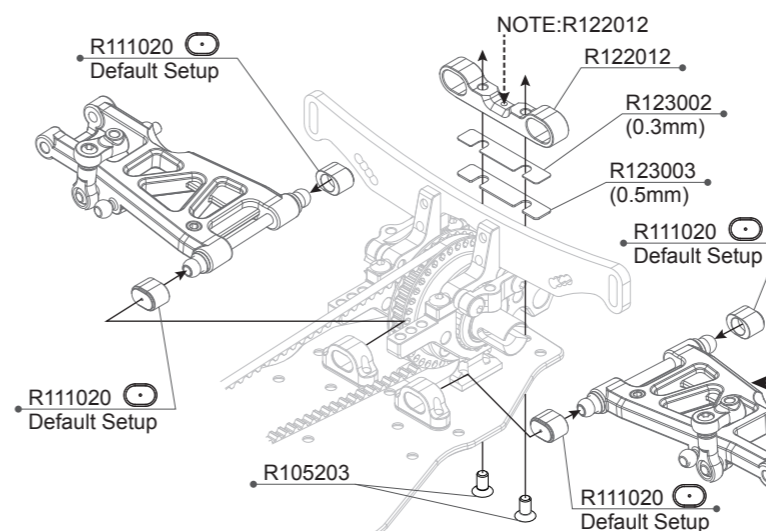




NOTICE



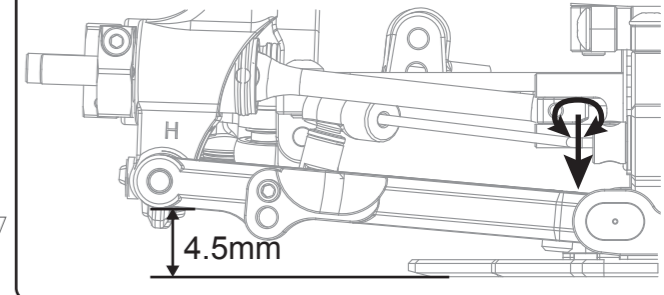
REAR



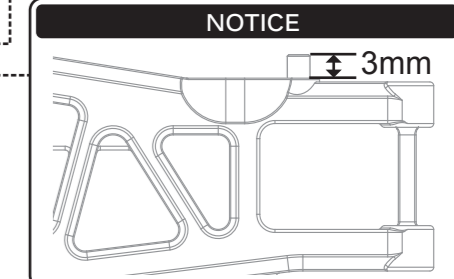
NOTICE

REAR DROOP SETUP

Set initial rear droop at 4.5mm. In bumpy or low traction conditions, lower droop will help to improve traction and handling. In flat or high traction conditions, higher droop will increase response and reduce traction roll.



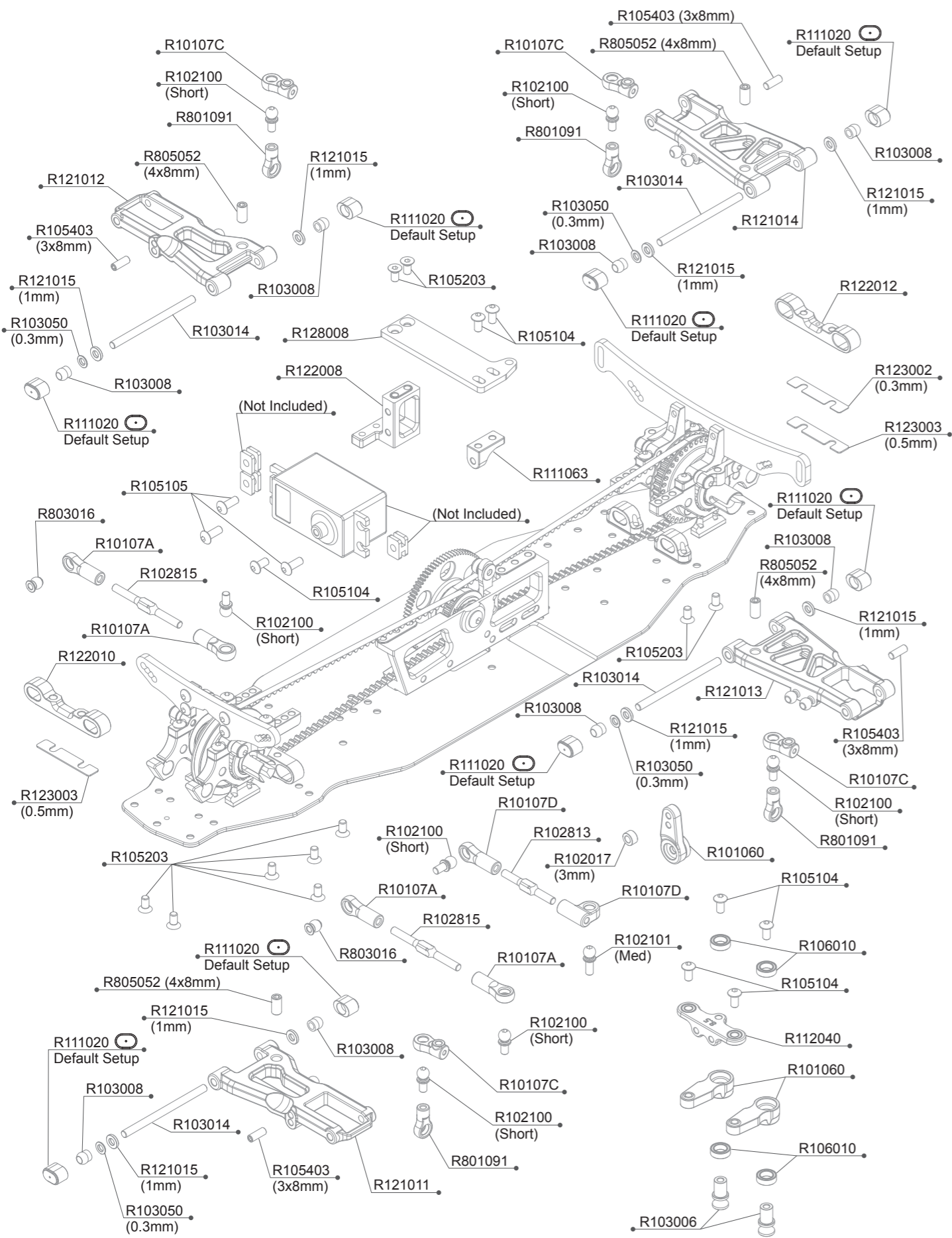
NOTICE



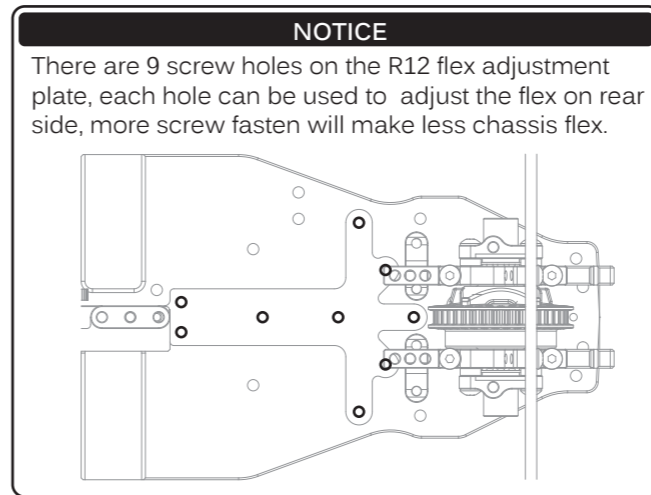
- R105203 3x6mm Flat Screw (10)
- R111020 Suspension Insert #0~#2
- R122010 R12 Suspension Block-FF

- R122012 R12 Suspension Block-RR
- R123002 R12 Roll Center Shims 0.3mm (4)
- R123003 R12 Roll Center Shims 0.5mm (4)

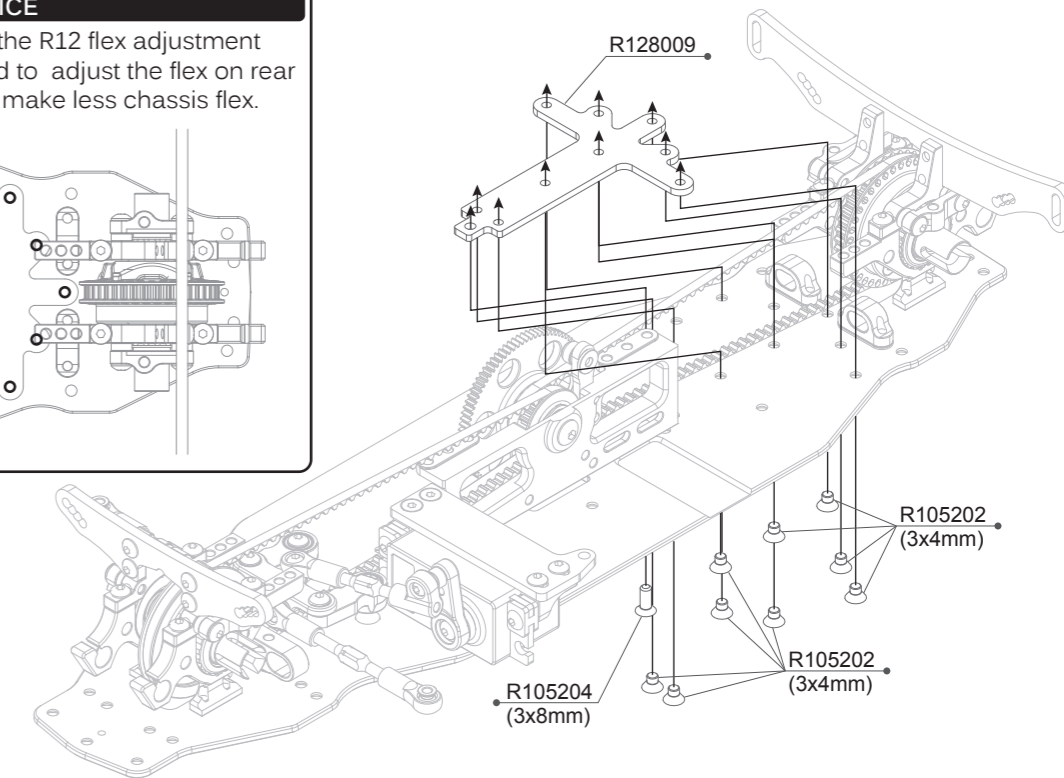
R12 BAG 03 PARTS EXPLODED VIEW



Option Parts R128009 R12 Flex Adjustment Plate



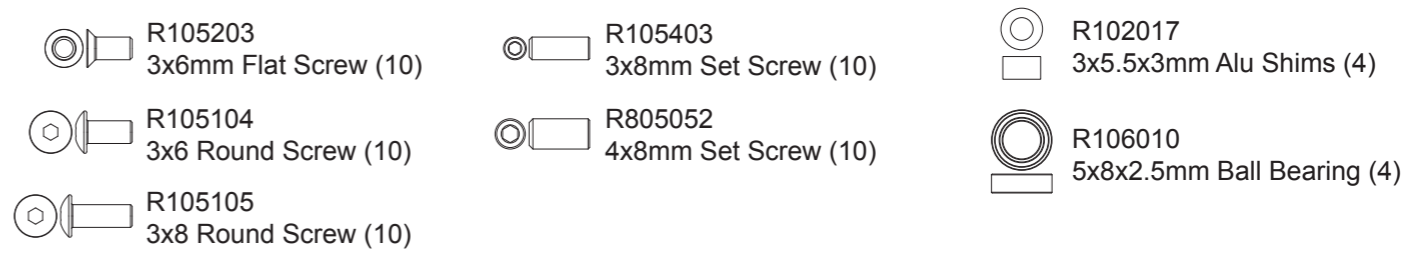
NOTICE
 There are 9 screw holes on the R12 flex adjustment plate, each hole can be used to adjust the flex on rear side, more screw fasten will make less chassis flex.

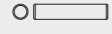
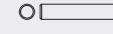




R12 BAG 03 PARTS LIST

- | | | | |
|---------|-----------------------------------|---------|---------------------------------|
| R101060 | Servo Horn Dual steering arm | R111020 | Suspension Insert #0~#+2 |
| R10107A | Ball Joint 4.9mm Open (6pcs) | R111163 | R11 Servo Mount-Left |
| R10107C | Anti-Roll Bar Joint (4pcs) | R112040 | Steering Plate 8.5 |
| R10107D | Steering Rod Ball joint | R121011 | R12 Low Arm-FL |
| R102017 | 3X5.5X3mm Alu Shims(4pcs) | R121012 | R12 Low Arm-FR |
| R102100 | Alu 4.9mm Ball End Short(4pcs) | R121013 | R12 Low Arm-RL |
| R102101 | Alu 4.9mm Ball End Med(4pcs) | R121014 | R12 Low Arm-RR |
| R102813 | Turnbuckle 3x28mm ALU-7075 (2pcs) | R121015 | Plastic Shims (1/2/3mm) |
| R102815 | Turnbuckle 3x37mm ALU-7075 (2pcs) | R122008 | R12 Servo Mount-Alu |
| R103006 | Steering Shaft(2pcs) | R122010 | R12 Suspension Block-FF |
| R103008 | Ball 5mm(4pcs) | R122012 | R12 Suspension Block-RR |
| R103014 | Pivot Pin Inner(2pcs) | R123002 | R12 Roll Center Shims 0.3mm (4) |
| R103050 | 3x5x0.3mm Shims (10) | R123003 | R12 Roll Center Shims 0.5mm (4) |
| R105104 | 3x6 Round Screw (10) | R128008 | R12 Servo Mount Plate |
| R105105 | 3x8 Round Screw (10) | R801091 | Ball End 4.9mm Short (2) |
| R105203 | 3x6mm Flat Screw (10) | R803016 | Ball Head 4.9mm (4) |
| R105403 | 3x8mm Set Screw (10) | R805052 | 4x8mm Set Screw (10) |
| R106010 | 5x8x2.5mm Ball Bearing (4pcs) | | |

1:1 SCALE



-  **R106101**
Ø2x9.8 Pin (10)
-  **R106102**
Ø2x10 Pin (10)
-  **R106105**
Ø1.5x8.1 Pin (10)

-  **R106012**
Low Friction Ball Bearing
5x10x4 (4)

1:1 Scale

NOTICE

R109009



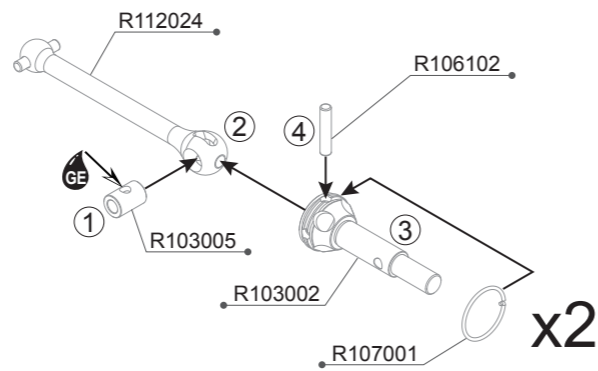
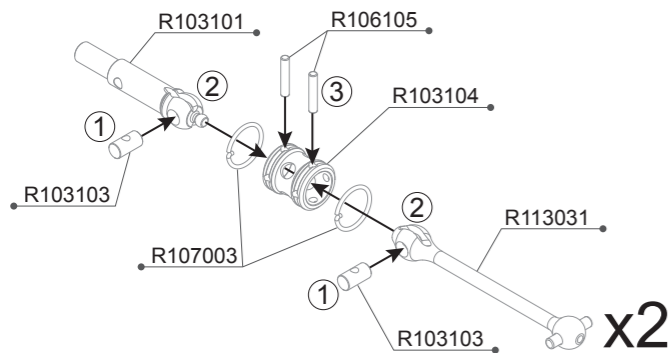
Front 40 DJ CVD

NOTICE

R119017



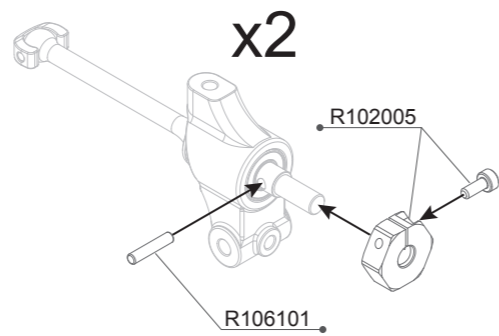
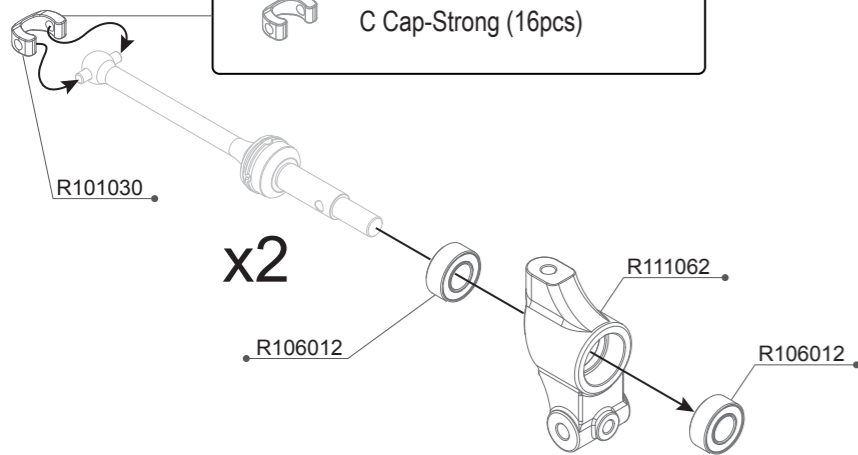
Rear Aluminum 42.5 CVD



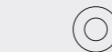
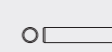



Rear Upright X2

Option Parts (Not Included)

-  **R121040**
C Cap-Strong (16pcs)

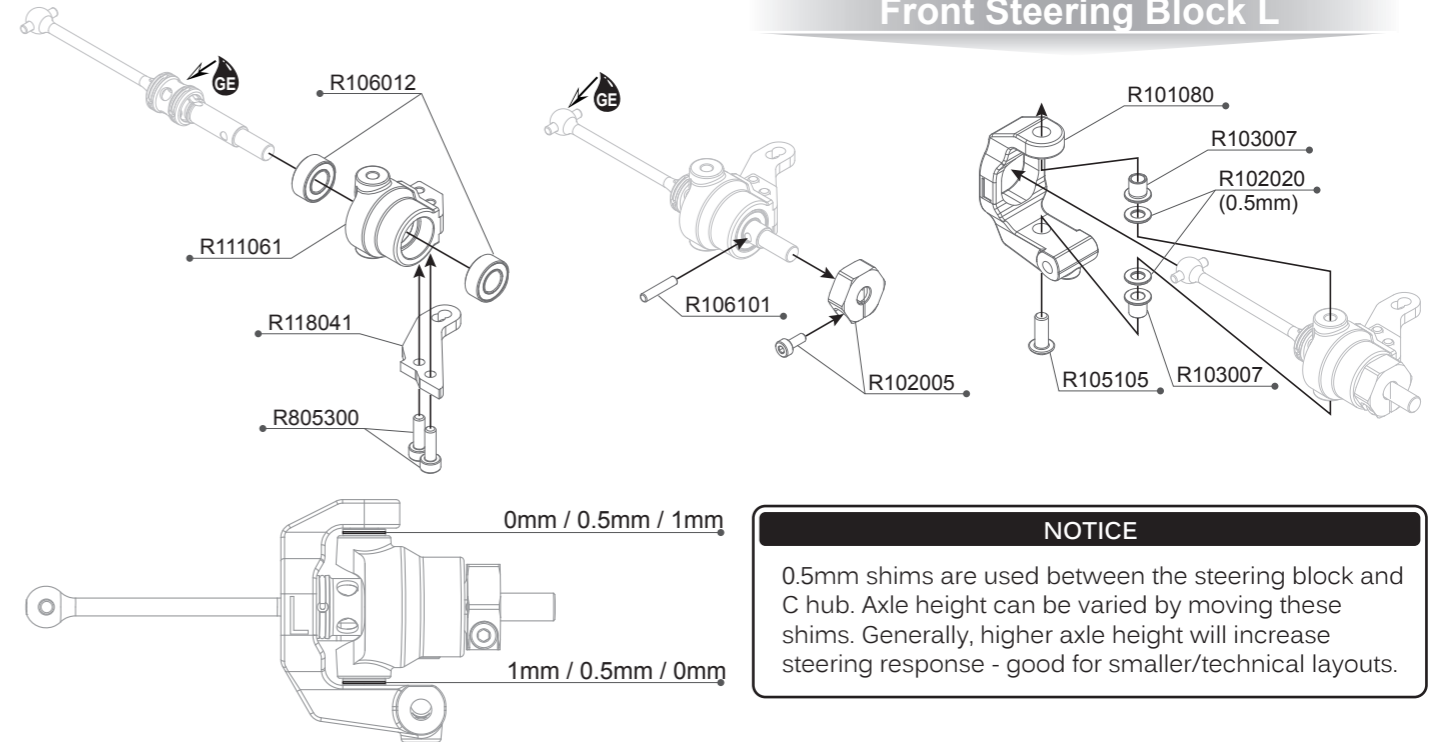


- | | | | |
|---------|-----------------------------------------|---------|------------------------------|
| R101030 | C Cap 3.5mm(16pcs) | R106101 | 2x9.8mm Pin (10pcs) |
| R102005 | Hex Wheel Hub Alu(2pcs) | R106102 | 2x10mm Pin (10pcs) |
| R103002 | Wheel Axle (2pcs) | R106105 | 1.5x8mm Pin (10pcs) |
| R103005 | CVD Insert(2pcs) | R107001 | CVD G-Clip(8pcs) |
| R103101 | D.J CVD Wheel Shaft (1pcs) | R107003 | D.J CVD G-Clip(8pcs) |
| R103103 | D.J CVD Insert(2pcs) | R111062 | R11 Rear Upright |
| R103104 | D.J CVD Joint (1pcs) | R112024 | CVD Rear 42.5mm-Alu (2) |
| R106012 | Low Friction Ball Bearing 5x10x4 (4pcs) | R113031 | D.J CVD Shaft +1 (40mm) 2pcs |

-  **R102020**
3x6x0.5mm Alu Shims (8)
-  **R106101**
Ø2x9.8 Pin (10)
-  **R105105**
3x8 Round Screw (10)
-  **R805300**
2.5x8mm Cap Screw (10)
-  **R106012**
Low Friction Ball Bearing
5x10x4 (4)

1:1 Scale

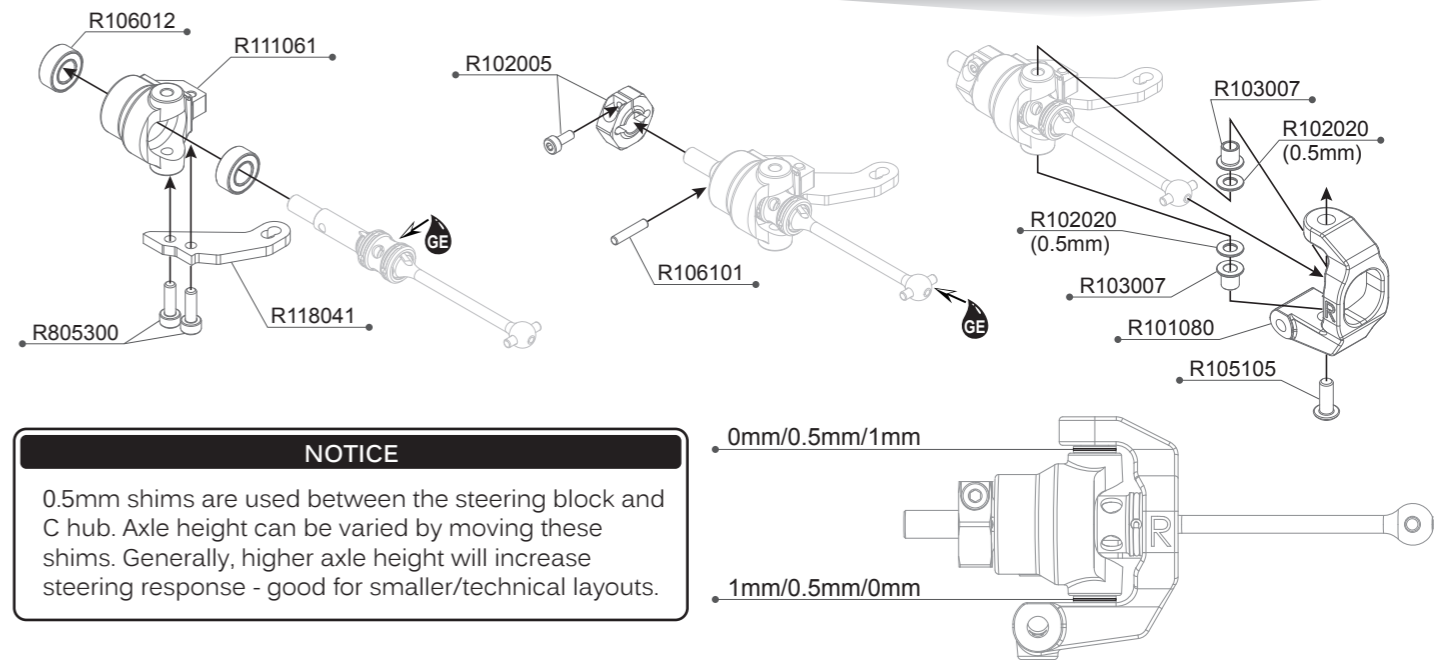
Front Steering Block L



NOTICE

0.5mm shims are used between the steering block and C hub. Axle height can be varied by moving these shims. Generally, higher axle height will increase steering response - good for smaller/technical layouts.

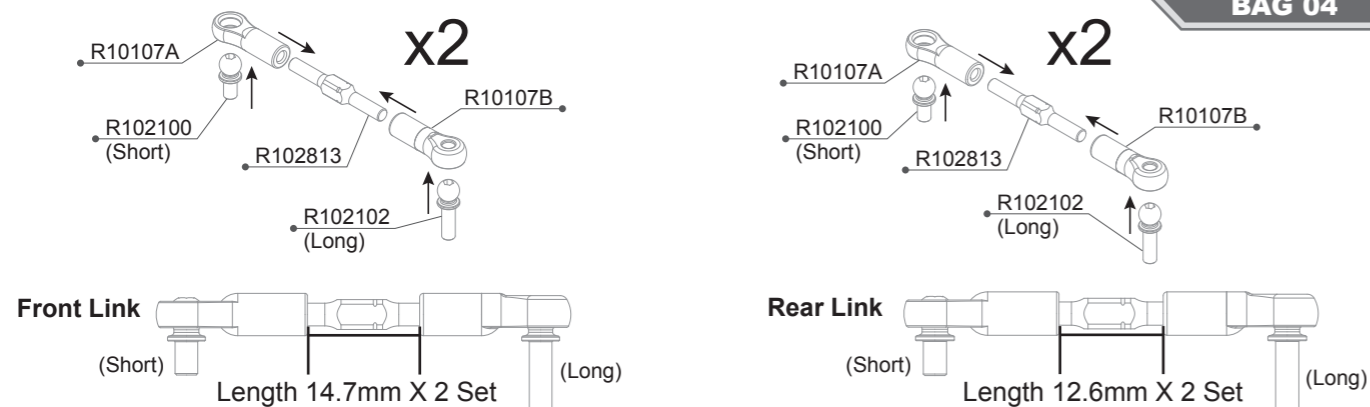
Front Steering Block R



NOTICE

0.5mm shims are used between the steering block and C hub. Axle height can be varied by moving these shims. Generally, higher axle height will increase steering response - good for smaller/technical layouts.

- | | | | |
|---------|------------------------------|---------|-----------------------------------------|
| R101080 | C-Hub 4 Right + Left | R106012 | Low Friction Ball Bearing 5x10x4 (4pcs) |
| R102005 | Hex Wheel Hub Alu(2pcs) | R106101 | 2x9.8mm Pin (10pcs) |
| R102020 | 3x6x0.5mm Alu Shims(8pcs) | R111061 | R11 Steering Block |
| R103007 | Steering Block Bushing(4pcs) | R118041 | R11 Steering Plate-Std (2) |
| R105105 | 3x8 Round Screw (10) | R805300 | 2.5x8mm Cap Screw (10) |

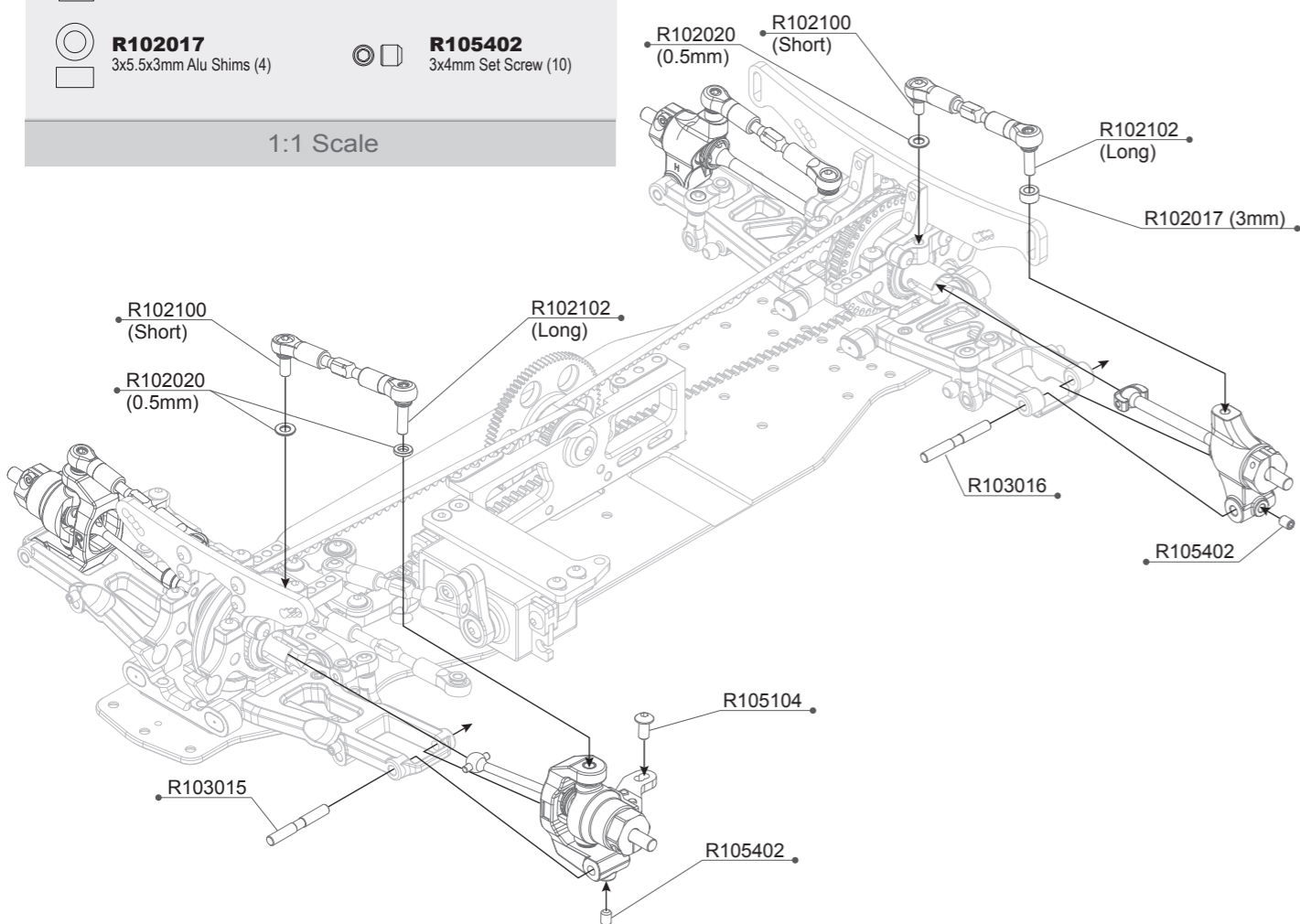


- R10107A Ball Joint 4.9mm Open (6pcs)
- R10107B Ball Joint 4.9mm Closed (4pcs)
- R102100 Alu 4.9mm Ball End Short(4pcs)

- R102102 Alu 4.9mm Ball End Long(4pcs)
- R102813 Turnbuckle 3x28mm ALU-7075 (2pcs)

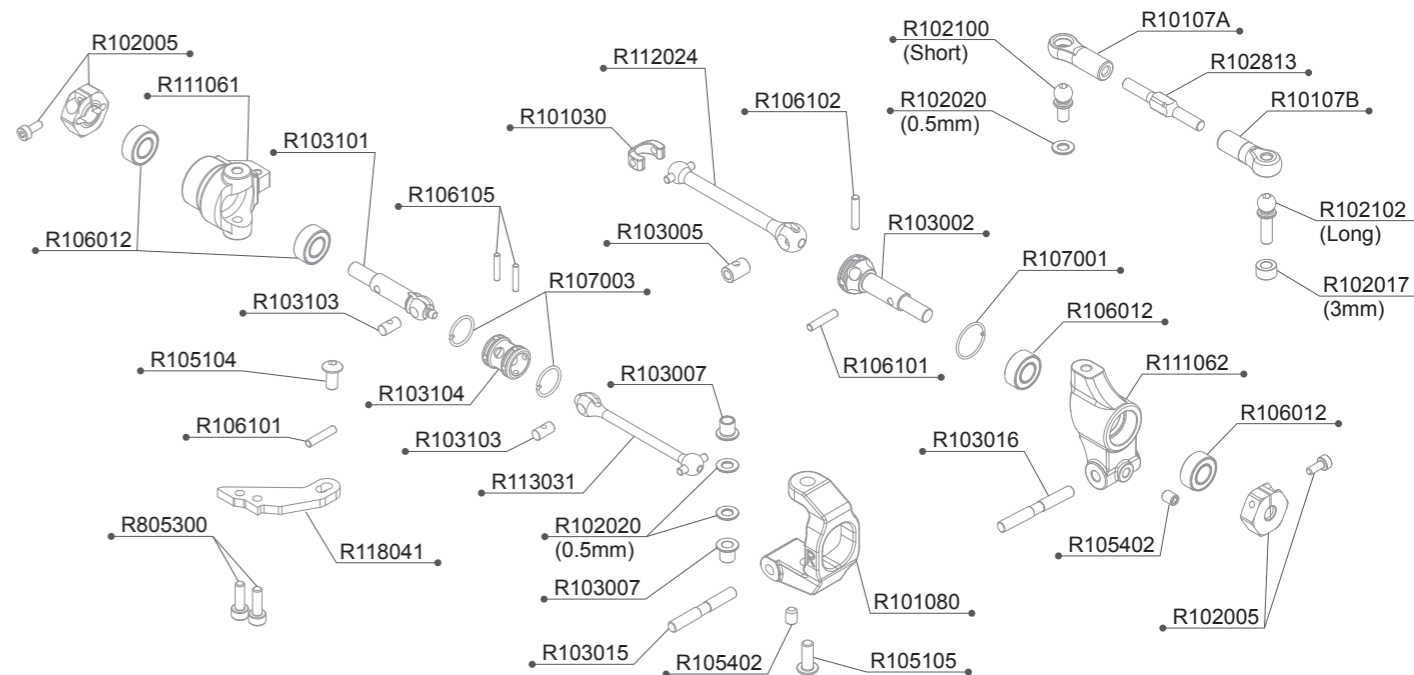
- R102020 3x6x0.5mm Alu Shims (8)
- R105104 3x6 Round Screw (10)
- R102017 3x5.5x3mm Alu Shims (4)
- R105402 3x4mm Set Screw (10)

1:1 Scale



- R102017 3X5.5X3mm Alu Shims(4pcs)
- R102020 3x6x0.5mm Alu Shims(8pcs)
- R103015 Pivot Pin Front-Out(2pcs)

- R103016 Pivot Pin Rear-Out(2pcs)
- R105104 3x6 Round Screw (10)
- R105402 3x4mm Set Screw (10)



R12 BAG 04 PARTS LIST

- | | |
|-------------------------------------------|-------------------------------------------------|
| R101030 C Cap 3.5mm(16pcs) | R103104 D.J CVD Joint (1pcs) |
| R10107A Ball Joint 4.9mm Open (6pcs) | R105104 3x6 Round Screw (10) |
| R10107B Ball Joint 4.9mm Closed (4pcs) | R105105 3x8 Round Screw (10) |
| R101080 C-Hub 4 Right + Left | R105402 3x4mm Set Screw (10) |
| R102005 Hex Wheel Hub Alu(2pcs) | R106012 Low Friction Ball Bearing 5x10x4 (4pcs) |
| R102017 3X5.5X3mm Alu Shims(4pcs) | R106101 2x9.8mm Pin (10pcs) |
| R102020 3x6x0.5mm Alu Shims(8pcs) | R106102 2x10mm Pin (10pcs) |
| R102100 Alu 4.9mm Ball End Short(4pcs) | R106105 1.5x8mm Pin (10pcs) |
| R102102 Alu 4.9mm Ball End Long(4pcs) | R107001 CVD G-Clip(8pcs) |
| R102813 Turnbuckle 3x28mm ALU-7075 (2pcs) | R107003 D.J CVD G-Clip(8pcs) |
| R103002 Wheel Axle (2pcs) | R111061 R11 Steering Block |
| R103005 CVD Insert(2pcs) | R111062 R11 Rear Upright |
| R103007 Steering Block Bushing(4pcs) | R112024 CVD Rear 42.5mm-Alu (2) |
| R103015 Pivot Pin Front-Out(2pcs) | R113031 D.J CVD Shaft +1 (40mm) 2pcs |
| R103016 Pivot Pin Rear-Out(2pcs) | R118041 R11 Steering Plate-Std (2) |
| R103101 D.J CVD Wheel Shaft (1pcs) | R805300 2.5x8mm Cap Screw (10) |
| R103103 D.J CVD Insert(2pcs) | |

1:1 SCALE

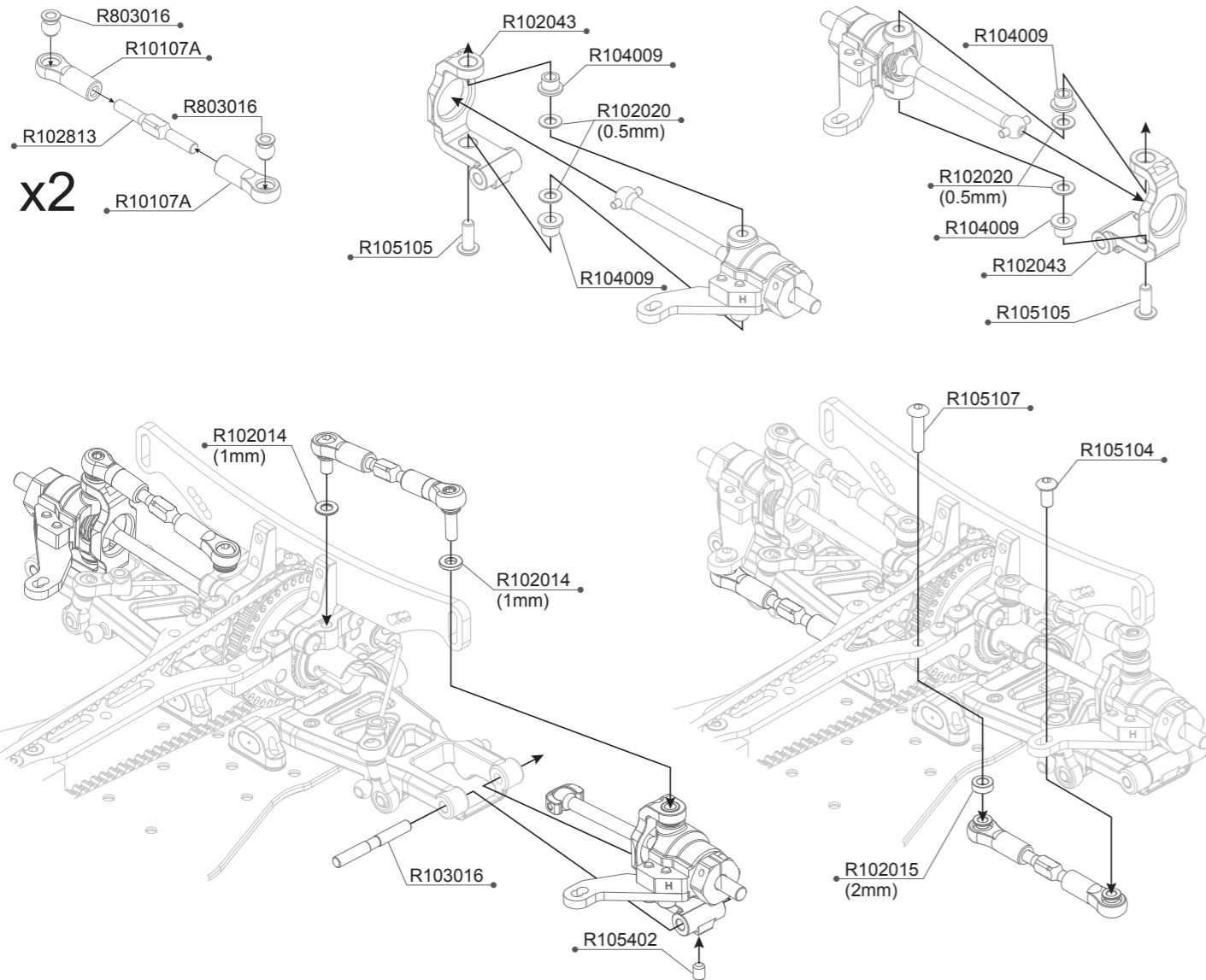
- | | | |
|---------------------------------|------------------------------------------|------------------------------|
| R102017 3x5.5x3mm Alu Shims (4) | R105104 3x6 Round Screw (10) | R106101 Ø2x9.8 Pin (10) |
| R102020 3x6x0.5mm Alu Shims (8) | R105105 3x8 Round Screw (10) | R106102 Ø2x10 Pin (10) |
| R105402 3x4mm Set Screw (10) | R106012 Low Friction Ball Bearing 5x10x4 | R106105 Ø1.5x8.1 Pin (10) |
| | | R105300 3x6mm Cap Screw (10) |

OPTION PARTS R129004 R12 ATS SYSTEM (Not Included)

ATS Link

Left Side

Right Side



x2

R129004 R12 ATS SYSTEM PARTS LIST

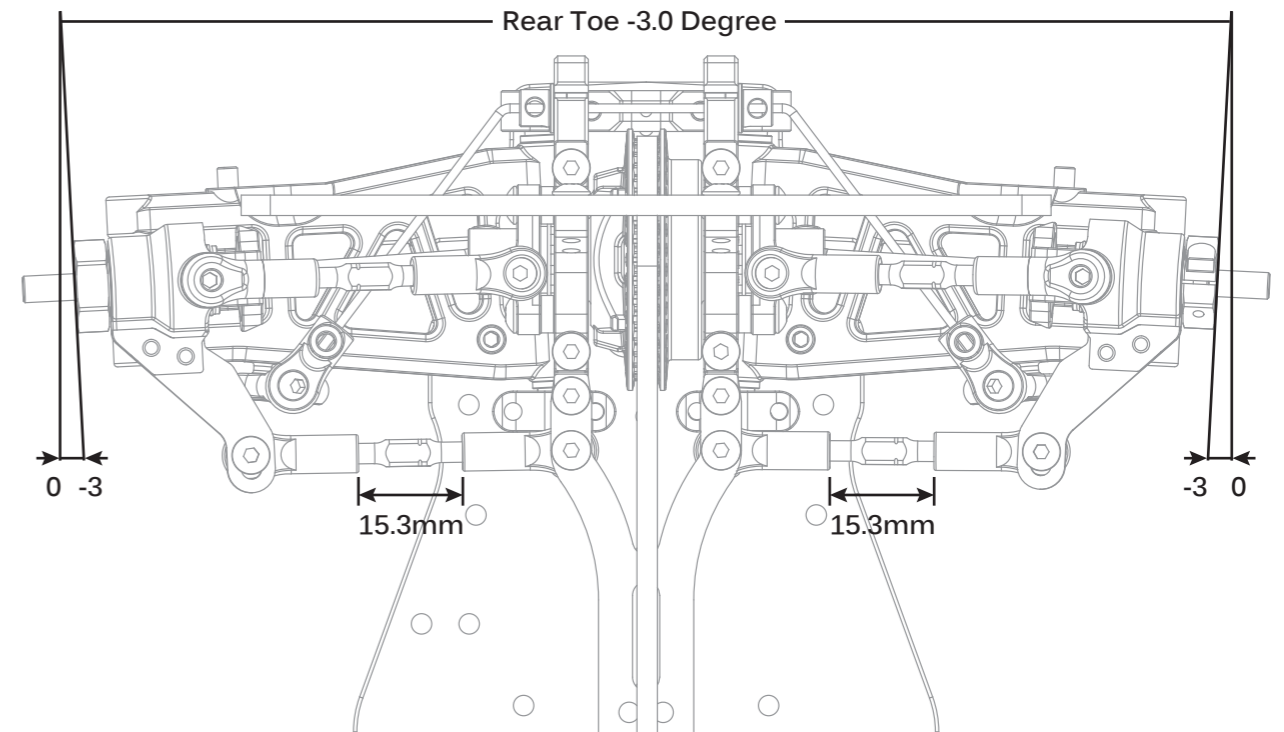
R10107A	Ball Joint 4.9mm Open (6pcs)	R104009	Bushing for Alu C-Hub (4pcs)
R102014	3x5.5x1mm Alu Shims(8pcs)	R105104	3x6 Round Screw (10)
R102015	3x5.5x2mm Alu Shims(8pcs)	R105105	3x8 Round Screw (10)
R102020	3x6x0.5mm Alu Shims(8pcs)	R105107	3x12 Round Screw (10)
R102043	ATS C-Hub (Alu) 2pcs	R105402	3x4mm Set Screw (10)
R102813	Turnbuckle 3x28mm ALU-7075 (2pcs)	R803016	Ball Head 4.9mm (4)
R103016	Pivot Pin Rear-Out(2pcs)		

1:1 SCALE

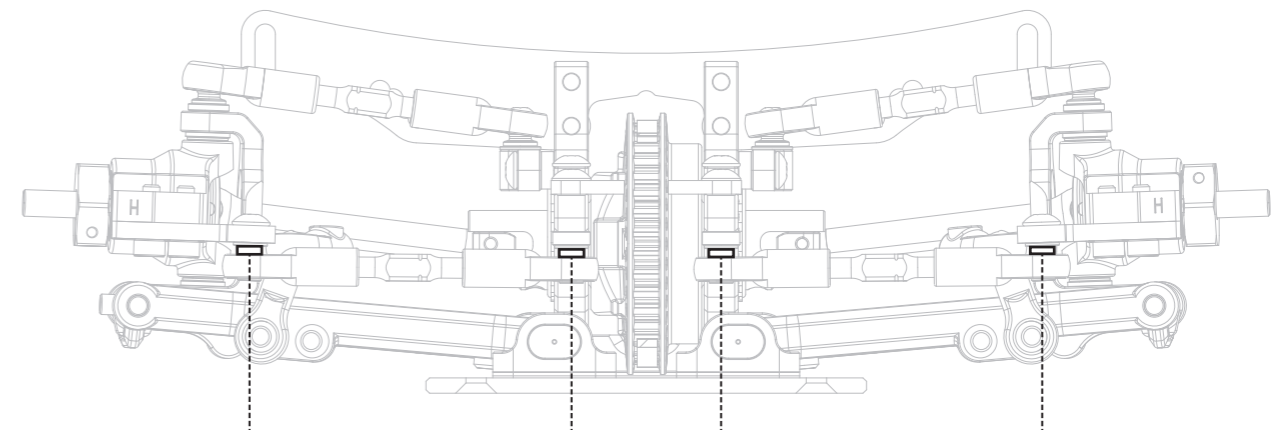
R102014 3x5.5x1mm Alu Shims (8)	R102020 3x6x0.5mm Alu Shims (8)	R105104 3x6 Round Screw (10)
R102015 3x5.5x2mm Alu Shims (8)	R105402 3x4mm Set Screw (10)	R105105 3x8 Round Screw (10)
		R105107 3x12 Round Screw (10)

R12 ATS SETUP INSTRUCTION

R12 ATS DEFAULT SETUP



The default rear toe setup for the R12 is -3.0 degrees. When installing ATS, please setup toe linkage at 15.3mm to achieve -3.0 degrees. The rear toe can be changed by adjusting the rear toe linkage length or suspension block inserts - with a longer link resulting in less rear toe.

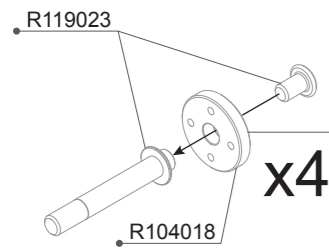
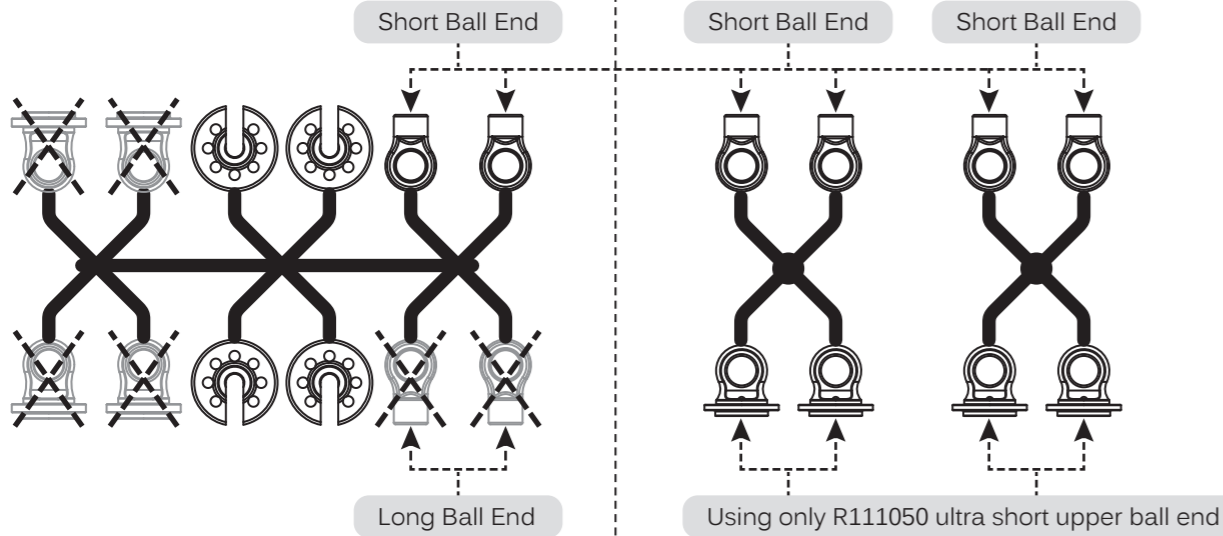


There are 4 locations where shims can be added/removed to setup the amount of toe angle change during cornering. The default setup is 2mm inside and 0mm outside. The angle of the ATS linkage will affect the amount of toe angle change - the flatter the linkage angle, the lower the amount of toe angle change.

NOTICE

R101130 Shock Ball Joint Set Big Bore

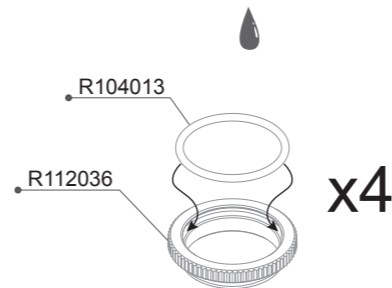
R111050 Shock Ball End Set-Ultra Short (2)



Option Parts (Not Included)

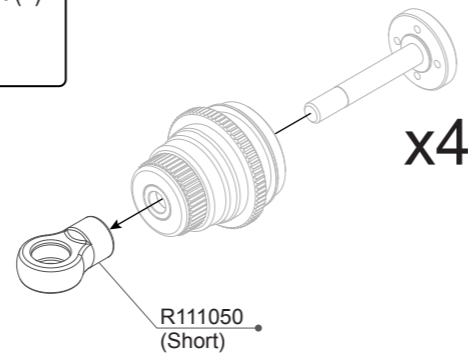
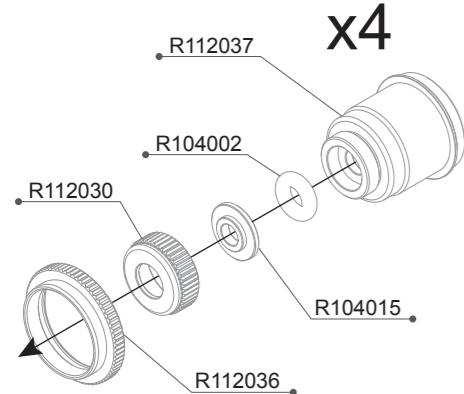
R114010
PDS Piston (2)

Apply shock oil before assembly



Option Parts (Not Included)

R112038
PDS Cylinder-Ultra Short (2)



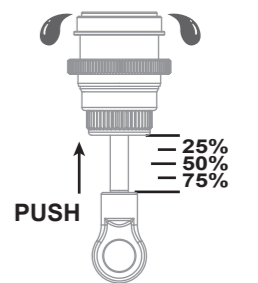
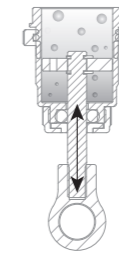
- | | | | |
|---------|---------------------------------------|---------|-----------------------------------|
| R104002 | O'ring 3x2(4pcs) | R112030 | R11 Shock Low Cap-Black (2) |
| R104013 | O'ring 13x1 (2pcs) | R112036 | Shock Adj Nut-Ultra Short (2) |
| R104015 | Shock Shaft Shim (4pcs) | R112037 | Shock Body Ultra Short-MC (2) |
| R104018 | Shock Piston Big Bore 1.1mm x4 (4pcs) | R119023 | Short Shock Shaft -Screw Type (4) |
| R111050 | Shock Ball End Set-Ultra Short (2) | | |

Silicone Oil #500



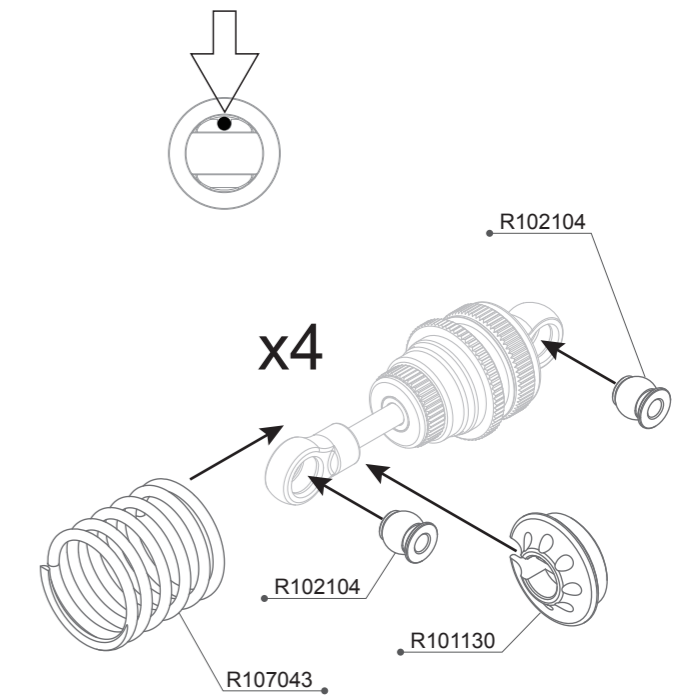
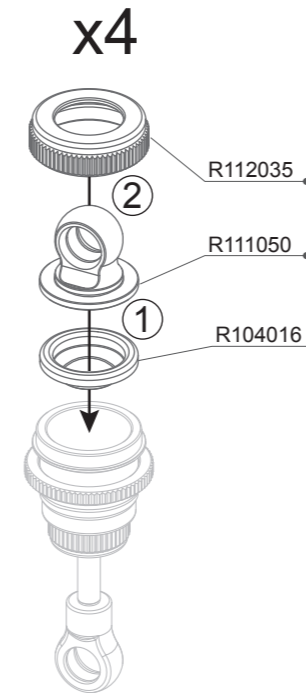
Fill the shock oil to the top of the shock body

Move the shaft up and down to let the air escape from the oil



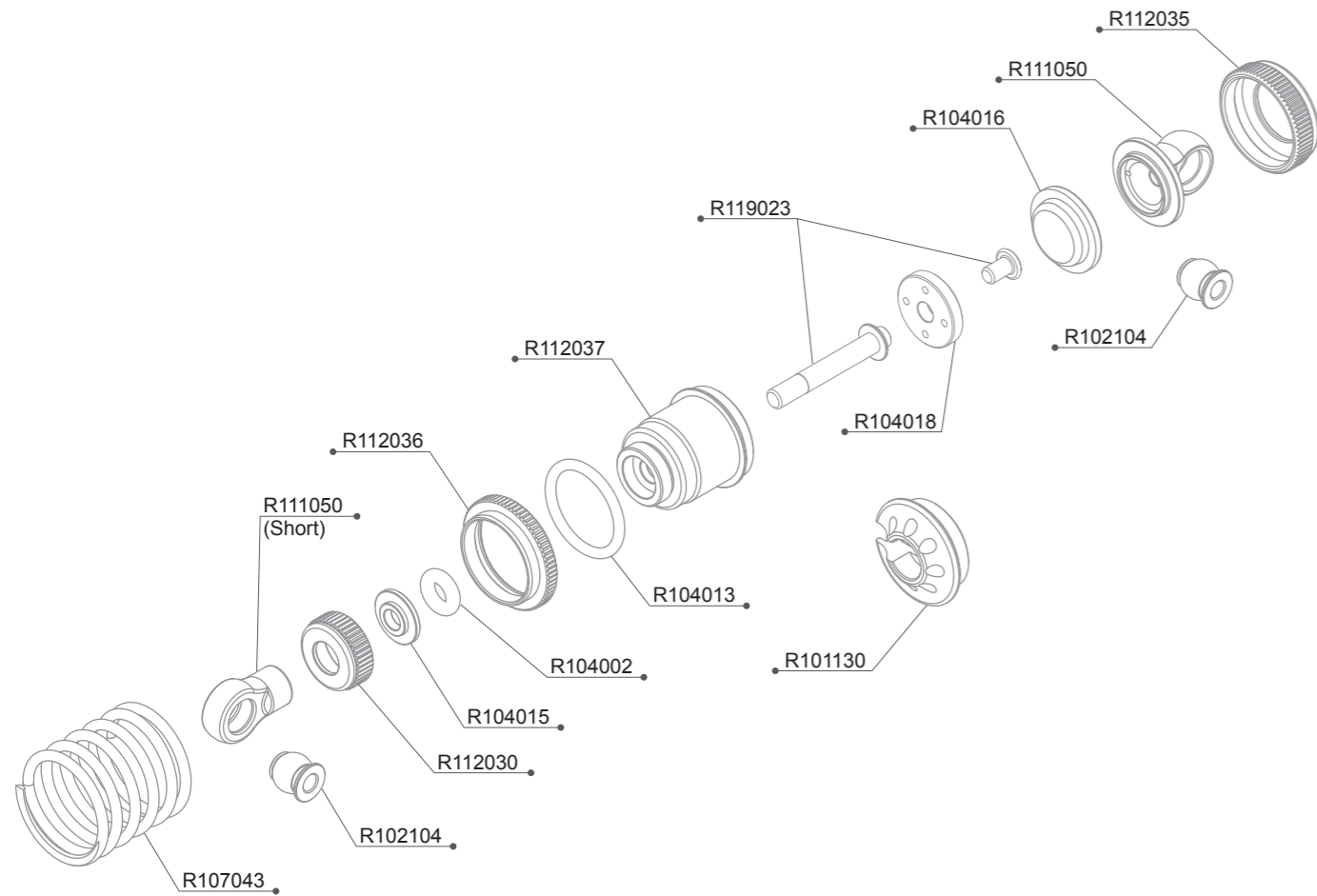
To adjust the rebound amount of the shock, push the shock shaft in to the required level to remove excess oil during assembly.

Drill the shock cap here to help provide zero rebound and softer dampening (optional setting)



- | | | | |
|---------|--------------------------------------|---------|-----------------------------------------|
| R101130 | Shock Ball Joint Set Big Bore | R107043 | Shock Spring 0.28g Green (Short) (2pcs) |
| R102104 | 5.8mm Ball end Short type Alu (4pcs) | R111050 | Shock Ball End Set-Ultra Short (2) |
| R104016 | Shock Membrane Big Bore (4pcs) | R112035 | Shock Cap-Ultra Short (2) |



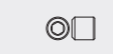
R12 BAG 05 PARTS EXPLODED VIEW



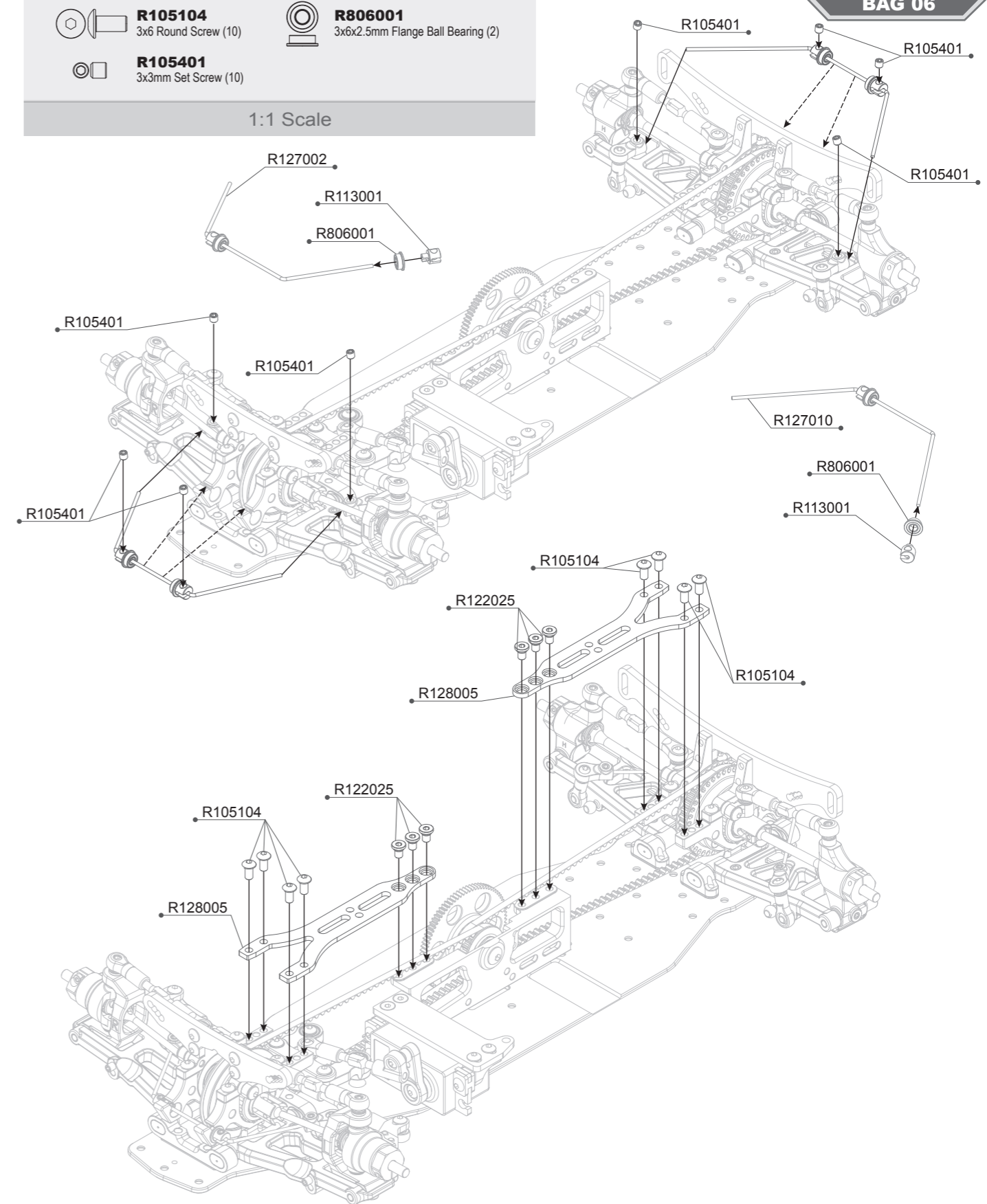
R12 BAG 05 PARTS LIST

R101130	Shock Ball Joint Set Big Bore	R107043	Shock Spring 0.28g Green (Short) (2pcs)
R102104	5.8mm Ball end Short type Alu (4pcs)	R111050	Shock Ball End Set-Ultra Short (2)
R104002	O'ring 3x2(4pcs)	R112030	R11 Shock Low Cap-Black (2)
R104013	O'ring 13x1 (2pcs)	R112035	Shock Cap-Ultra Short (2)
R104015	Shock Shaft Shim (4pcs)	R112036	Shock Adj Nut-Ultra Short (2)
R104016	Shock Membrane Big Bore (4pcs)	R112037	Shock Body Ultra Short-MC (2)
R104018	Shock Piston Big Bore 1.1mm x4 (4pcs)	R119023	Short Shock Shaft -Screw Type (4)

BAG 06

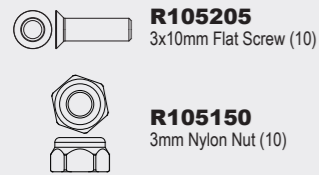
-  **R105104** 3x6 Round Screw (10)
-  **R806001** 3x6x2.5mm Flange Ball Bearing (2)
-  **R105401** 3x3mm Set Screw (10)

1:1 Scale

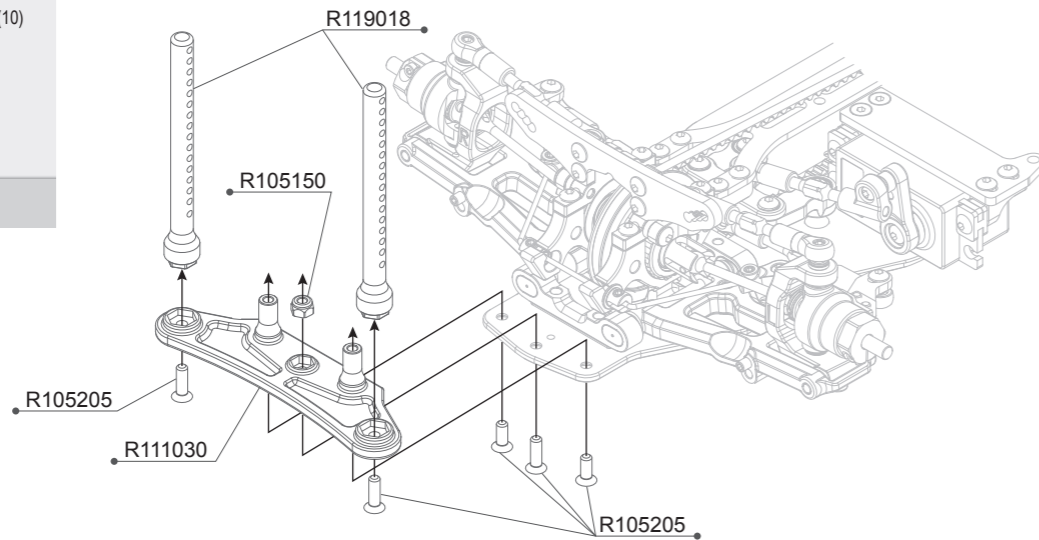


- R105104 3x6 Round Screw (10)
- R105401 3x3mm Set Screw (10)
- R113001 Anti-Roll Bar Holder (2)
- R122025 R12 Upper Deck Screw (4)

- R127002 R12 Front Anti-Roll Bar 1.3mm
- R127010 R12 Rear Anti-Roll Bar 1.3mm
- R128005 R12 Upper Deck 2.0mm
- R806001 3x6x2.5 Flange Ball Bearing (2)

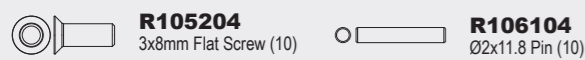


1:1 Scale

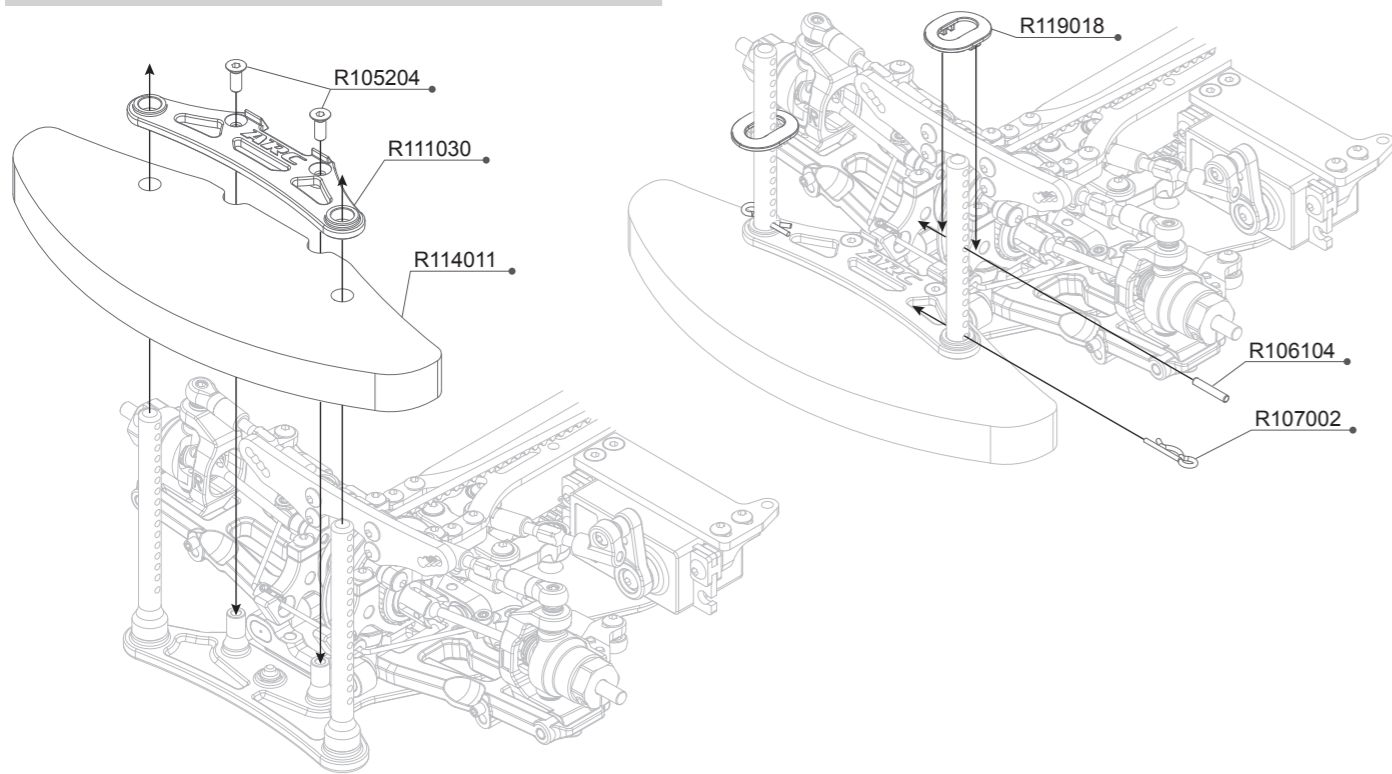


R105150 3mm Nylon Nut (10)
R105205 3x10mm Flat Screw (10)

R111030 R11 2019 Bumper Set
R119018 R11 Body Mount Set

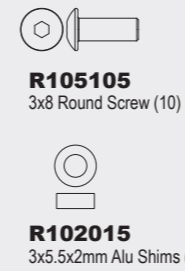


1:1 Scale

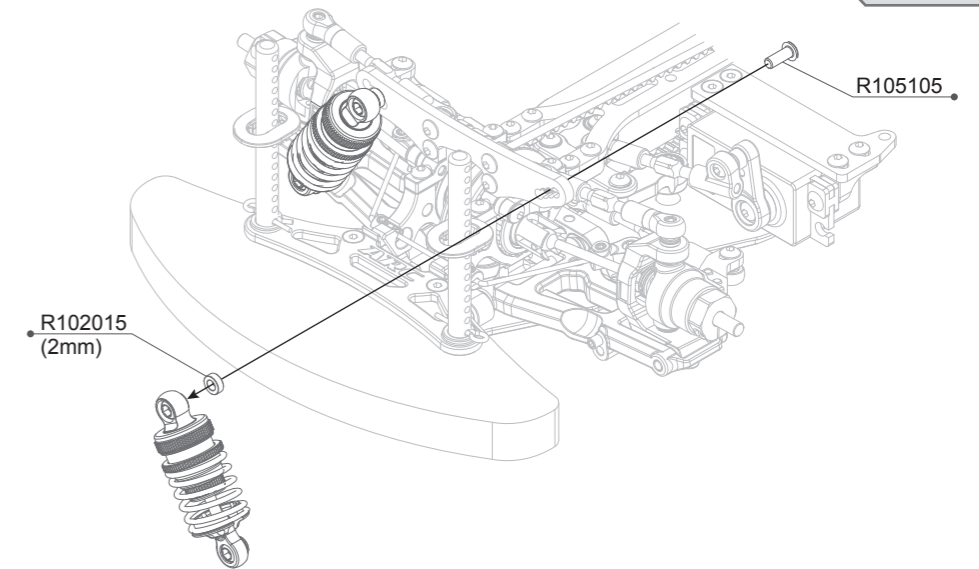


R105204 3x8mm Flat Screw (10)
R106104 2x11.8mm Pin (10pcs)
R107002 R-Clip(8pcs)

R111030 R11 2019 Bumper Set
R114011 R11 2019 Foam Bumper-STD
R119018 R11 Body Mount Set

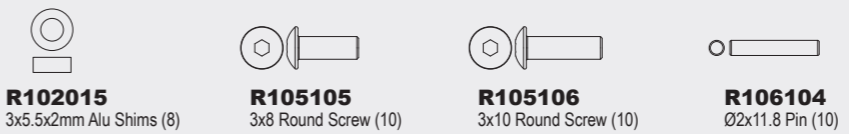


1:1 Scale

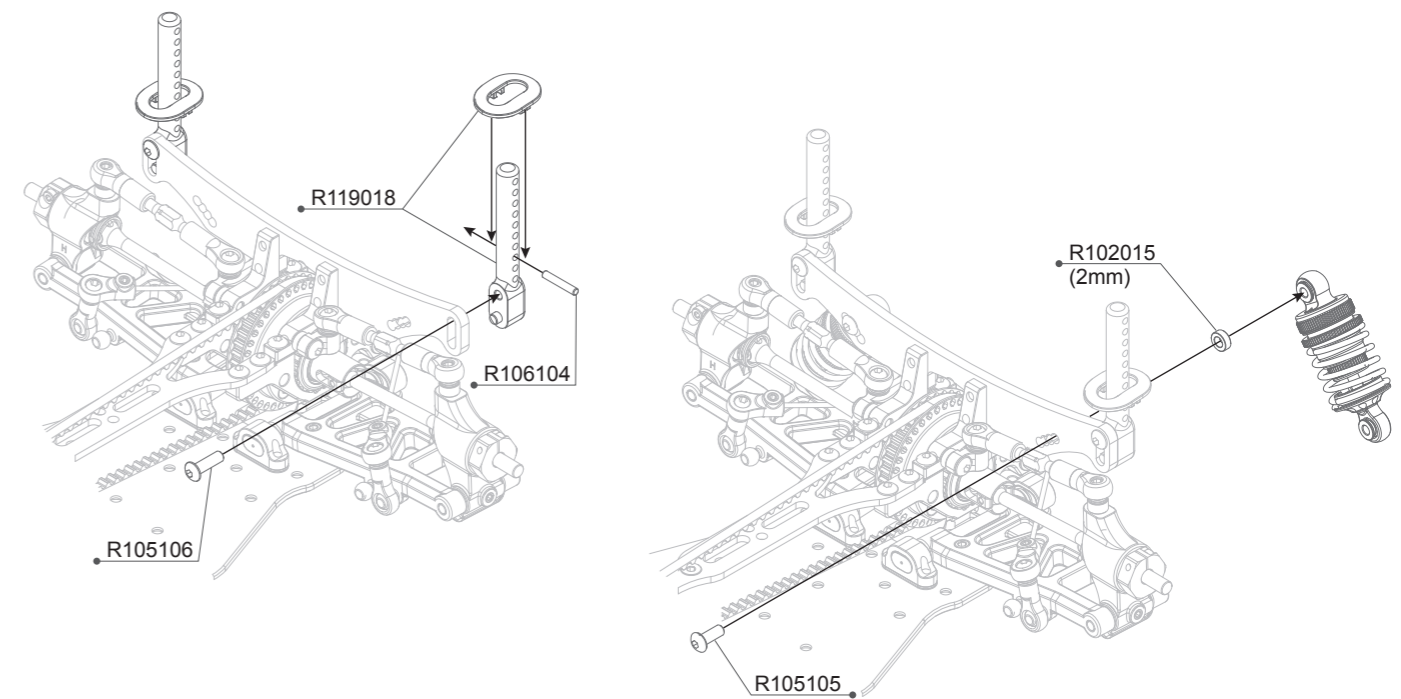


R102015 3x5.5x2mm Alu Shims(8pcs)

R105105 3x8 Round Screw (10)



1:1 Scale

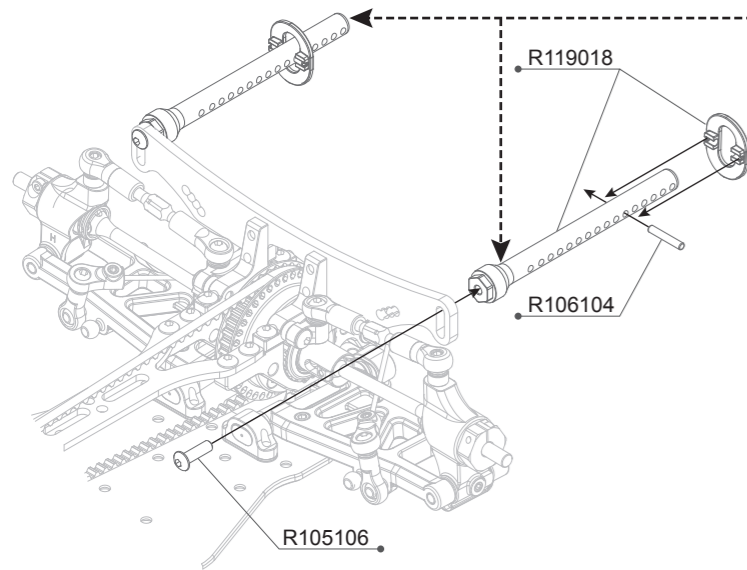


R102015 3x5.5x2mm Alu Shims(8pcs)
R105105 3x8 Round Screw (10)
R105106 3x10 Round Screw (10)

R106104 2x11.8mm Pin (10pcs)
R119018 R11 Body Mount Set

Option Parts (Not Included)

R119018 R11 Body Mount Set

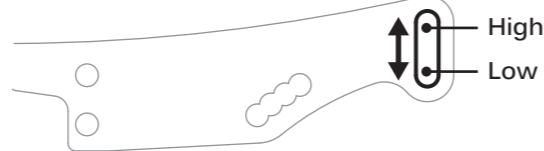


NOTICE

The extra front body posts required for the rear horizontal body post setup are not included.

NOTICE

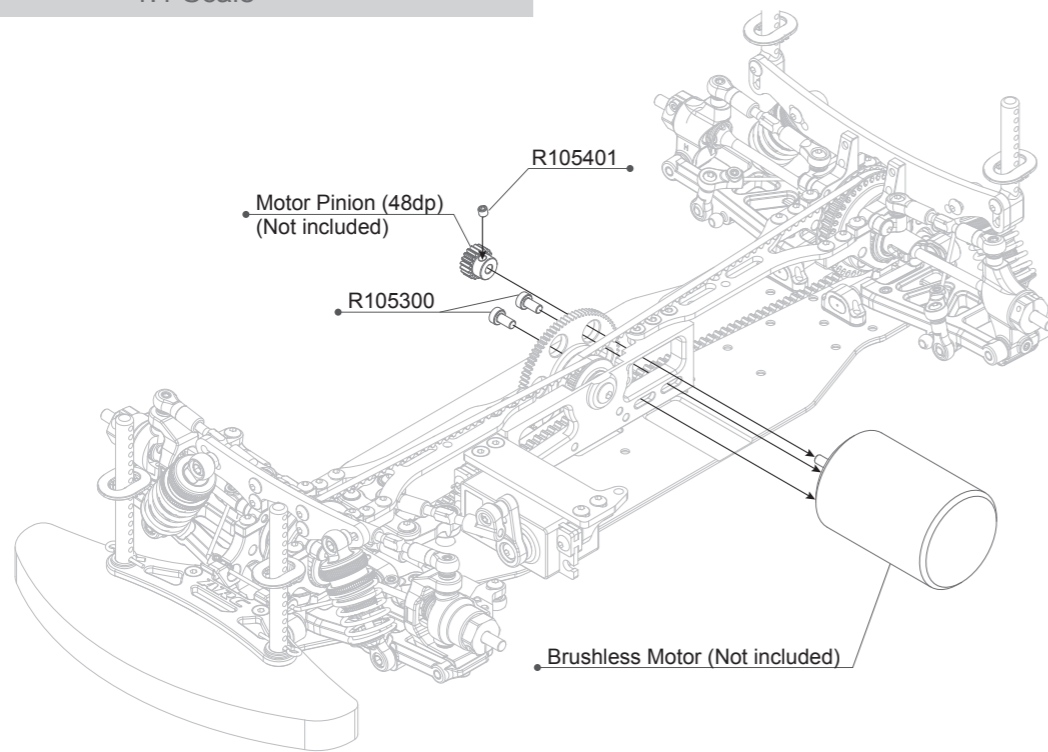
When using the rear horizontal body post setup, a 7mm height adjustment is available on the R12 Rear Shock Tower, from Low to High setting.



R105300
3x6mm Cap Screw (10)

R105401
3x3mm Set Screw (10)

1:1 Scale



R105300 3x6mm Cap Screw (10)

R105401 3x3mm Set Screw (10)



R121015
Plastic Shims (1/2/3MM)



R105203
3x6mm Flat Screw (10)



R105206
3x12mm Flat Screw (10)



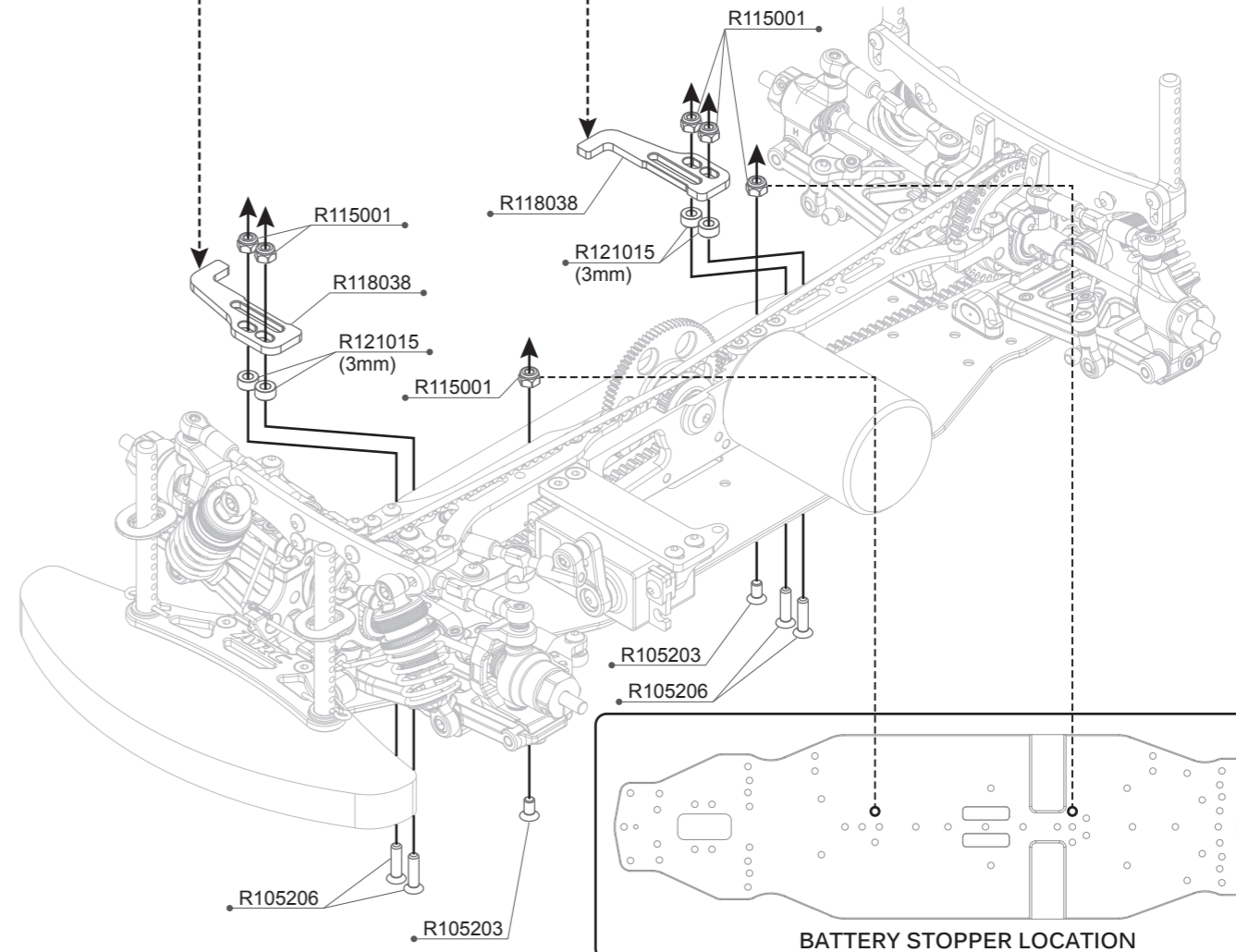
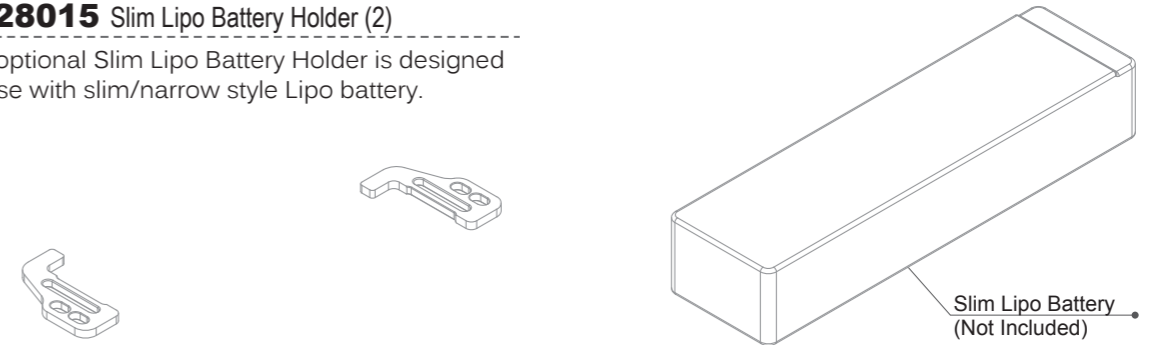
R115001
3mm Nylon Nut-Black Alu (4)

1:1 Scale

Option Parts (Not Included)

R128015 Slim Lipo Battery Holder (2)

The optional Slim Lipo Battery Holder is designed for use with slim/narrow style Lipo battery.

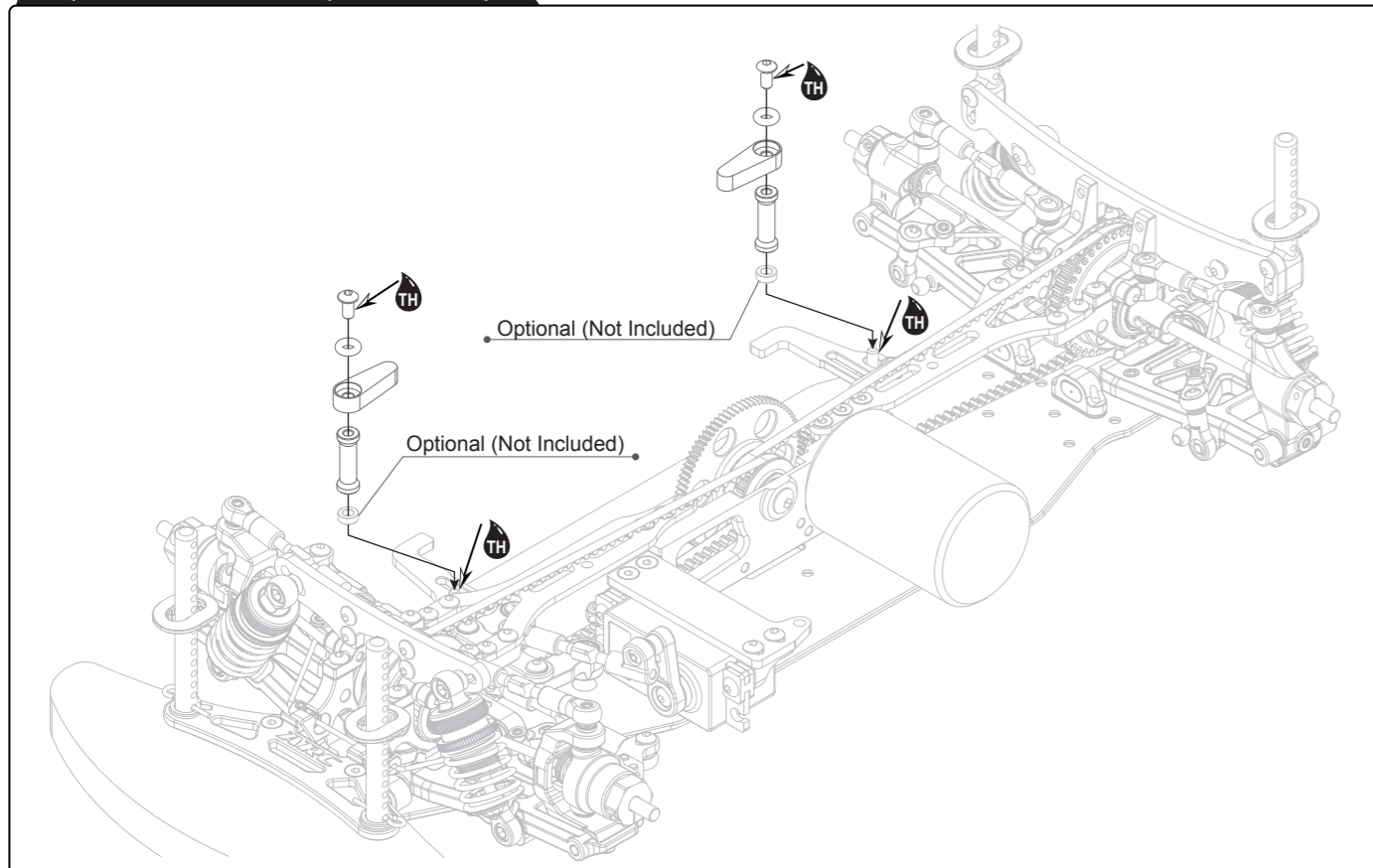




BATTERY STOPPER LOCATION

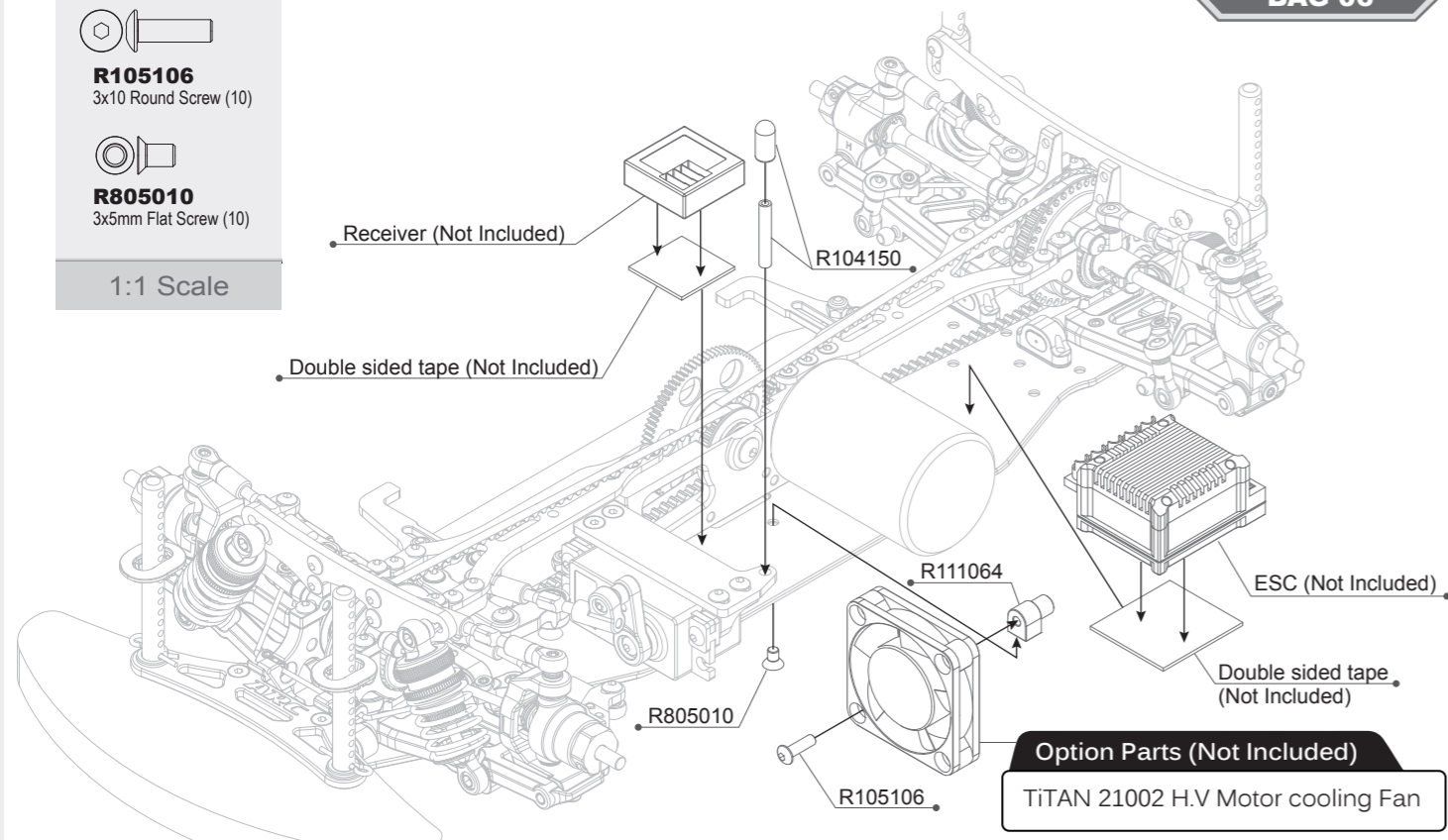
R105203 3x6mm Flat Screw (10)
R105206 3x12mm Flat Screw (10)
R115001 3mm Nylon Nut-Black Alu (4)

R118038 R11 2019 Battery Guides-Carbon (2)
R121015 Plastic Shims (1/2/3mm)

Option Parts R119016 (Not Included)



-  **R105106**
3x10 Round Screw (10)
 -  **R805010**
3x5mm Flat Screw (10)
- 1:1 Scale

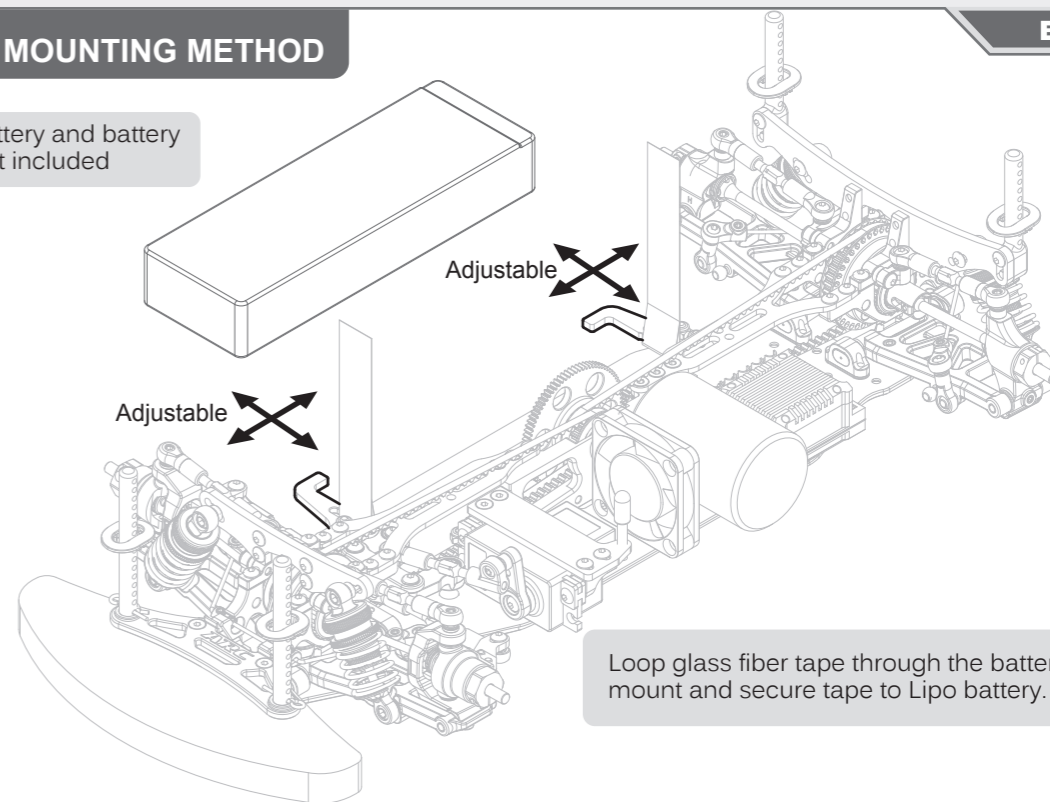


- R104150 Antenna (1set)
- R105106 3x10 Round Screw (10)

- R111064 R11 Motor Fan Mount
- R805010 3x5mm Flat Screw (10)

BATTERY MOUNTING METHOD

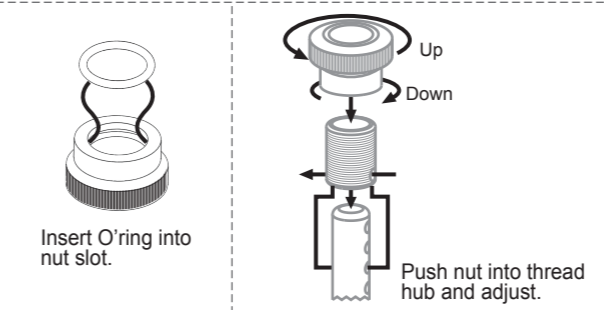
Lipo battery and battery tape not included



Option Parts (Not Included)

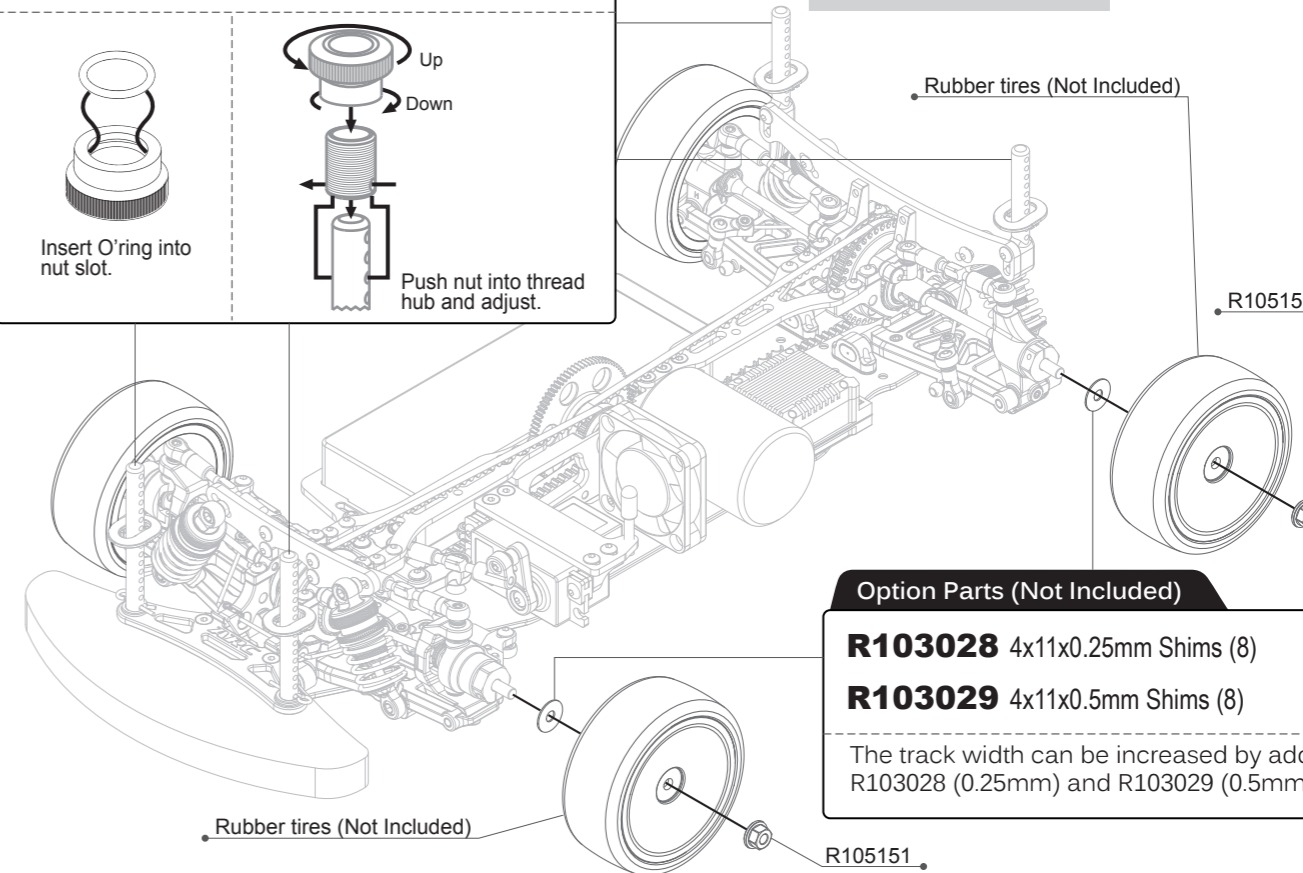
60603-V3 ADJUSTABLE BODY POST (4SET)

Use on all 6mm body posts. Light weight with ultra height adjustment of body shell.



R105151
4mm Nylon Nut (4)

1:1 Scale



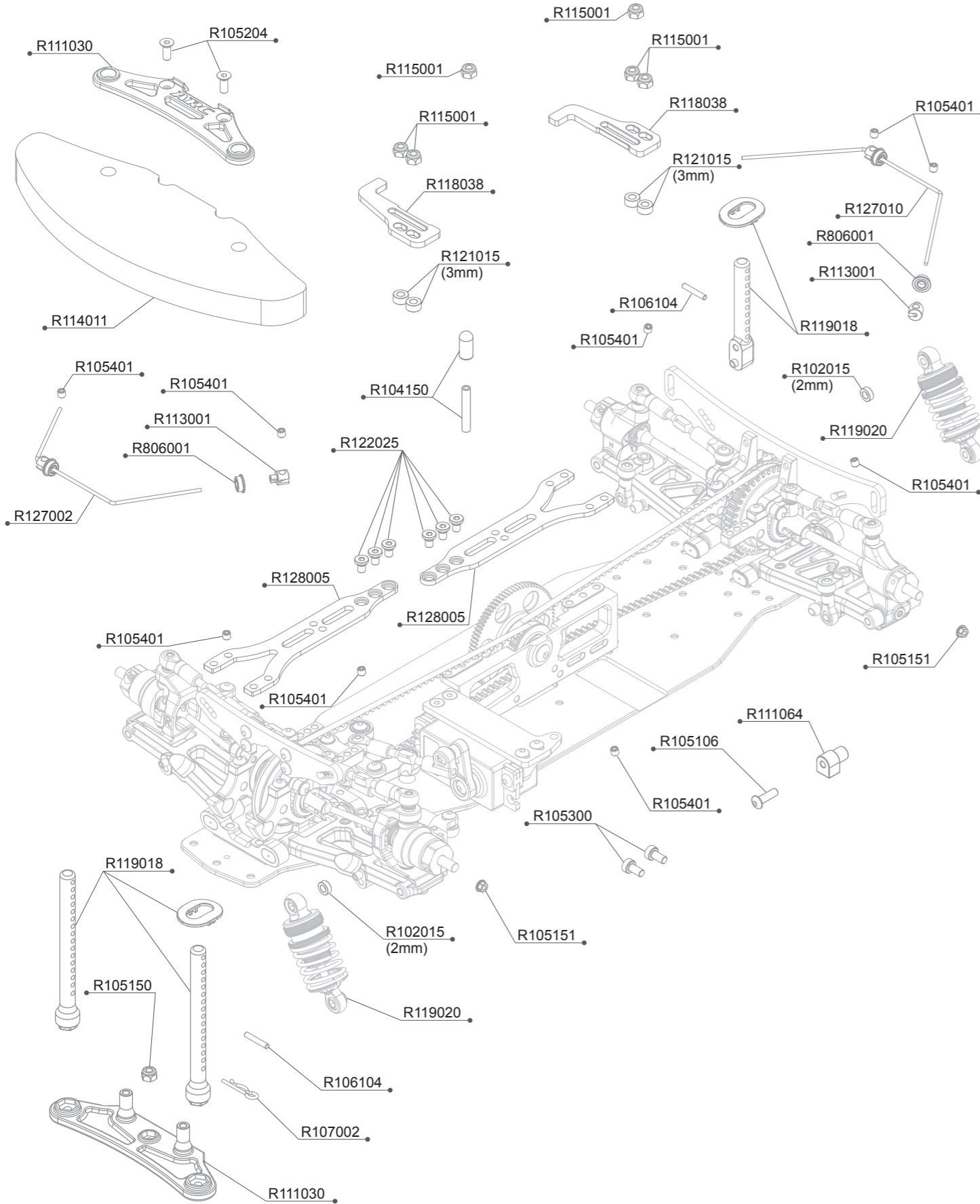
Option Parts (Not Included)

- R103028** 4x11x0.25mm Shims (8)
- R103029** 4x11x0.5mm Shims (8)

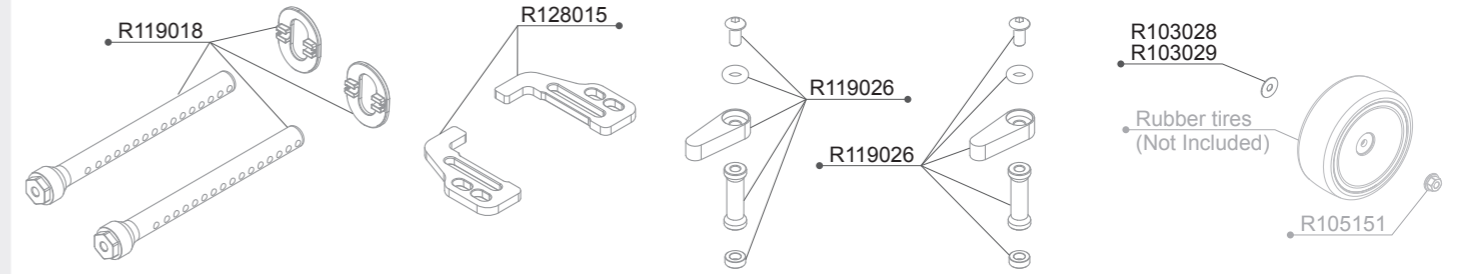
The track width can be increased by adding R103028 (0.25mm) and R103029 (0.5mm).

- R105151 4mm Nylon Nut (4)

R12 BAG 06 PARTS EXPLODED VIEW



R12 OPTION PARTS EXPLODED VIEW



R12 BAG 06 PARTS LIST

R102015	3x5.5x2mm Alu Shims(8pcs)	R111030	R11 2019 Bumper Set
R104150	Antenna (1set)	R111064	R11 Motor Fan Mount
R105104	3x6 Round Screw (10)	R113001	Anti-Roll Bar Holder (2)
R105105	3x8 Round Screw (10)	R114011	R11 2019 Foam Bumper-STD
R105106	3x10 Round Screw (10)	R115001	3mm Nylon Nut-Black Alu (4)
R105150	3mm Nylon Nut (10)	R118038	R11 2019 Battery Guides-Carbon (2)
R105151	4mm Nylon Nut (4)	R119018	R11 Body Mount Set
R105203	3x6mm Flat Screw (10)	R119020	R11 2019 Shock Set Ultra Short
R105204	3x8mm Flat Screw (10)	R121015	Plastic Shims (1/2/3) mm
R105205	3x10mm Flat Screw (10)	R122025	R12 Upper Deck Screw (4)
R105206	3x12mm Flat Screw (10)	R127002	R12 Front Anti-Roll Bar 1.3mm
R105300	3x6mm Cap Screw (10)	R127010	R12 Rear Anti-Roll Bar 1.3mm
R105401	3x3mm Set Screw (10)	R128005	R12 Upper Deck 2.0mm
R106104	2x11.8mm Pin (10pcs)	R805010	3x5mm Flat Screw (10)
R107002	R-Clip(8pcs)	R806001	3x6x2.5 Flange Ball Bearing (2)

1:1 SCALE

	R105104 3x6 Round Screw (10)		R102015 3x5.5x2mm Alu Shims (8)
	R105105 3x8 Round Screw (10)		R105300 3x6mm Cap Screw (10)
	R105106 3x10 Round Screw (10)		R105401 3x3mm Set Screw (10)
	R805010 3x5mm Flat Screw (10)		R106104 Ø2x11.8 Pin (10)
	R105203 3x6mm Flat Screw (10)		R105150 3mm Nylon Nut (10)
	R105204 3x8mm Flat Screw (10)		R105151 4mm Nylon Nut (4)
	R105205 3x10mm Flat Screw (10)		R806001 3x6x2.5mm Flange Ball Bearing (2)
	R105206 3x12mm Flat Screw (10)		

R12 BAG 06 OPTION PARTS LIST

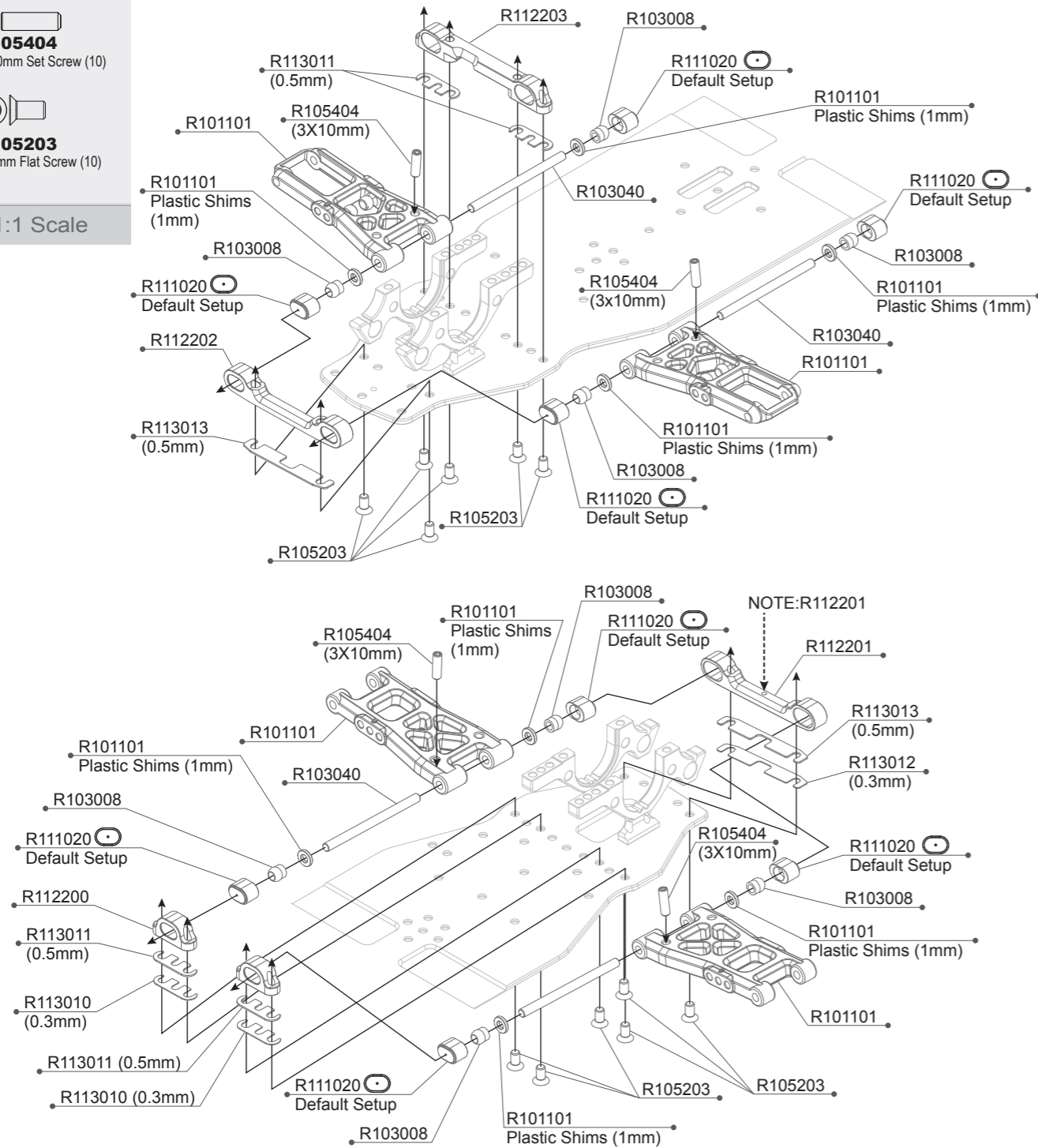
R128015	Slim Lipo Battery Holder (2)	R119018	R11 Body Mount Set
R103028	4x11x0.25mm Shims (8)	R119026	R11F Battery Holder (2)
R103029	4x11x0.5mm Shims (8)		

INSTALL SHORT ARMS ON R12

R105404
3x10mm Set Screw (10)

R105203
3x6mm Flat Screw (10)

1:1 Scale



NOTICE

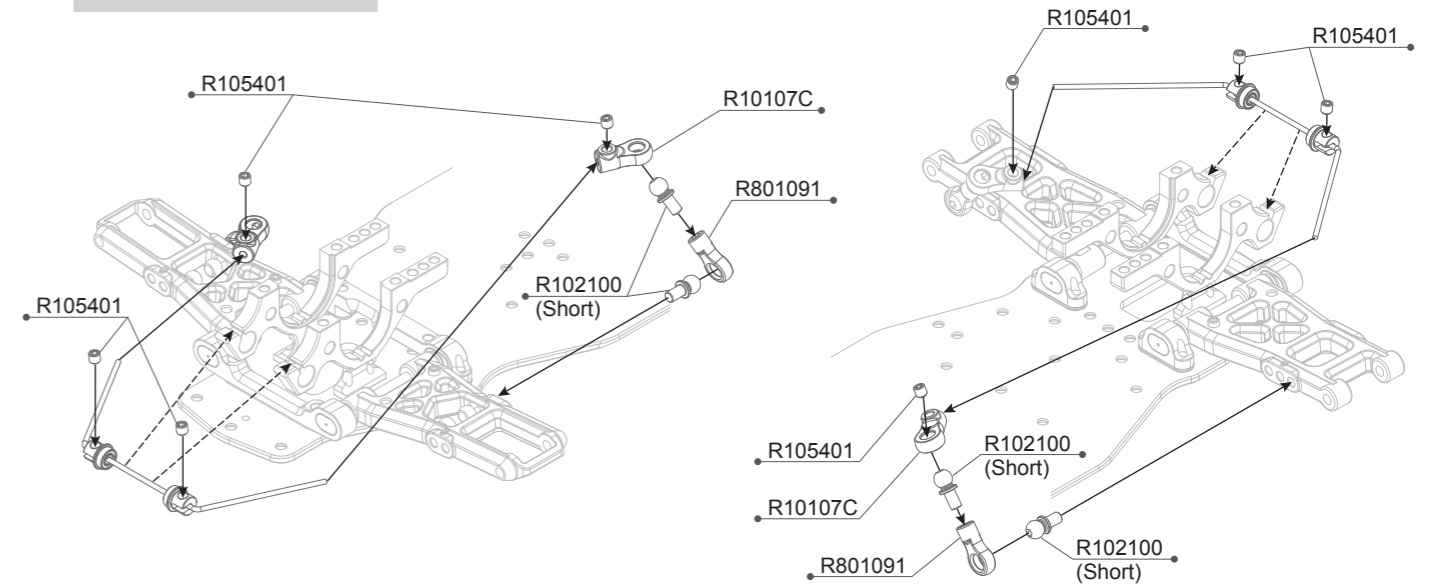
All short arm spare parts shown above are not included in R12 kit.

- | | | | |
|---------|------------------------------|---------|----------------------------------------|
| R101101 | Low Arm F/R Set (Hard) | R112201 | R11 Suspension Block RR |
| R103008 | Ball 5mm(4pcs) | R112202 | R11 Suspension Block FF |
| R103040 | Pivot Pin Inner-Short (2pcs) | R112203 | R11 Suspension Block FR |
| R105203 | 3x6mm Flat Screw (10) | R113010 | R11 Roll Center Shims-Narrow 0.3mm (4) |
| R105404 | 3x10mm Set Screw (10) | R113011 | R11 Roll Center Shims-Narrow 0.5mm (4) |
| R111020 | Suspension Insert #0~#+2 | R113012 | R11 Roll Center Shims 0.3mm (4) |
| R112200 | R11 Suspension Block RF (2) | R113013 | R11 Roll Center Shims 0.5mm (4) |

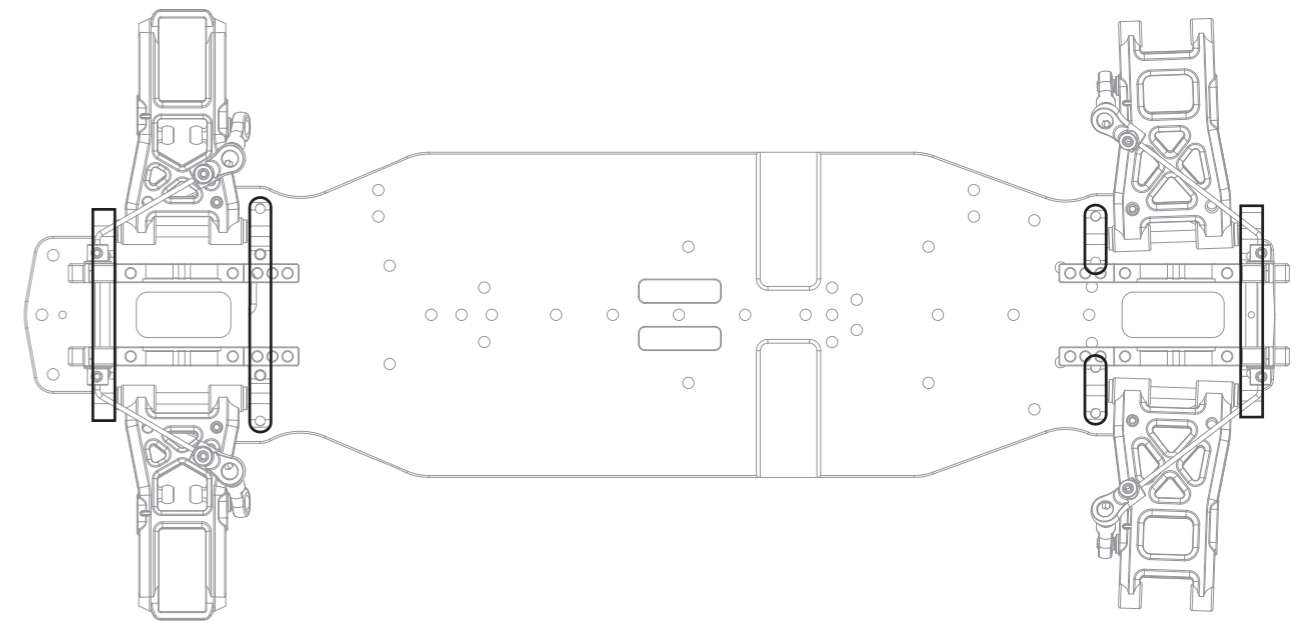
INSTALL SHORT ARMS ON R12

R105401
3x3mm Set Screw (10)

1:1 Scale



NOTICE



The suspension blocks are same as R11 2019. To setup the correct toe angle, please refer to the R12 Short arm suspension block chart in the manual.

- | | | | |
|---------|--------------------------------|---------|--------------------------|
| R10107C | Anti-Roll Bar Joint (4pcs) | R105401 | 3x3mm Set Screw (10) |
| R102100 | Alu 4.9mm Ball End Short(4pcs) | R801091 | Ball End 4.9mm Short (2) |

